



US00D450966B1

(12) **United States Design Patent**  
**Gottwald**

(10) **Patent No.:** **US D450,966 S**

(45) **Date of Patent:** **\*\* Nov. 27, 2001**

(54) **SOAP-DISH HOLDER**

(75) Inventor: **Adolf Gottwald**, Iserlohn (DE)

(73) Assignee: **Friedrich Grohe AG & Co. KG**,  
Hemer (DE)

(\*\*) Term: **14 Years**

(21) Appl. No.: **29/142,602**

(22) Filed: **May 30, 2001**

(30) **Foreign Application Priority Data**

Dec. 1, 2000 (DE) ..... 4 00 11 471

(51) **LOC (7) Cl.** ..... **23-02**

(52) **U.S. Cl.** ..... **D6/540**

(58) **Field of Search** ..... D6/524, 529, 532,  
D6/536, 540; D27/102, 104; 248/309.1;  
206/77.1; 211/13.1, 86.01, 88.01, 126.1,  
125.5, 134

(56) **References Cited**

**U.S. PATENT DOCUMENTS**

D. 416,153 \* 11/1999 Chen ..... D6/524

D. 416,730 \* 11/1999 Chen ..... D6/540  
D. 440,801 \* 4/2001 Gottwald ..... D6/540  
D. 441,236 \* 5/2001 Gottwald ..... D6/540  
D. 441,237 \* 5/2001 Gottwald ..... D6/540

\* cited by examiner

*Primary Examiner*—Brian N. Vinson

(74) *Attorney, Agent, or Firm*—Herbert Dubno

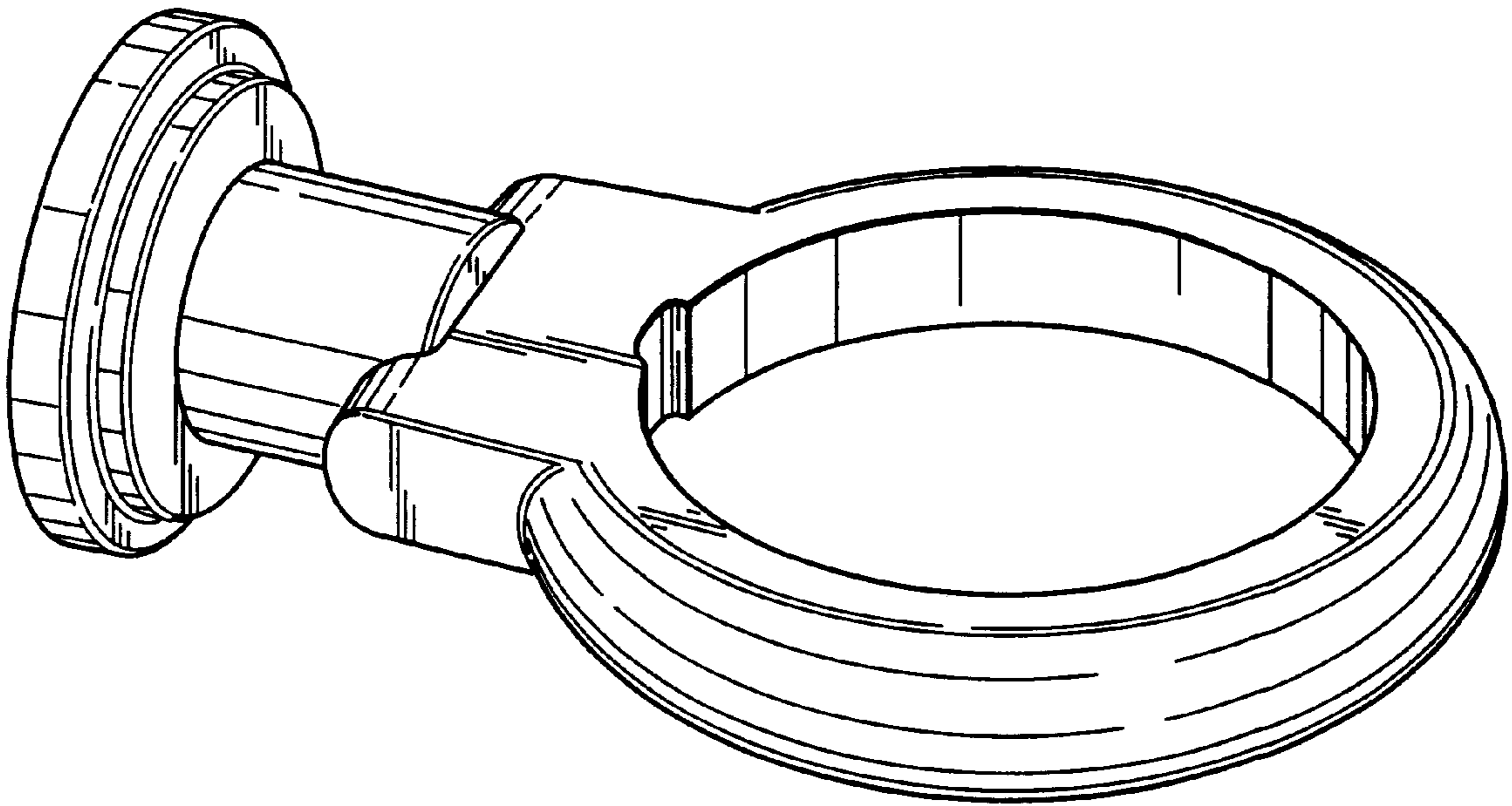
(57) **CLAIM**

The ornamental design for a soap-dish holder, as shown and described.

**DESCRIPTION**

FIG. 1 is a top, front, left-side perspective view of a soap-dish holder showing my new design;  
FIG. 2 is a front elevational view thereof;  
FIG. 3 is a rear elevational view thereof;  
FIG. 4 is a top plan view thereof, the bottom plan view being identical thereto; and,  
FIG. 5 is a right side elevational view thereof, the left side elevational view being mirror symmetrical thereto.

**1 Claim, 2 Drawing Sheets**



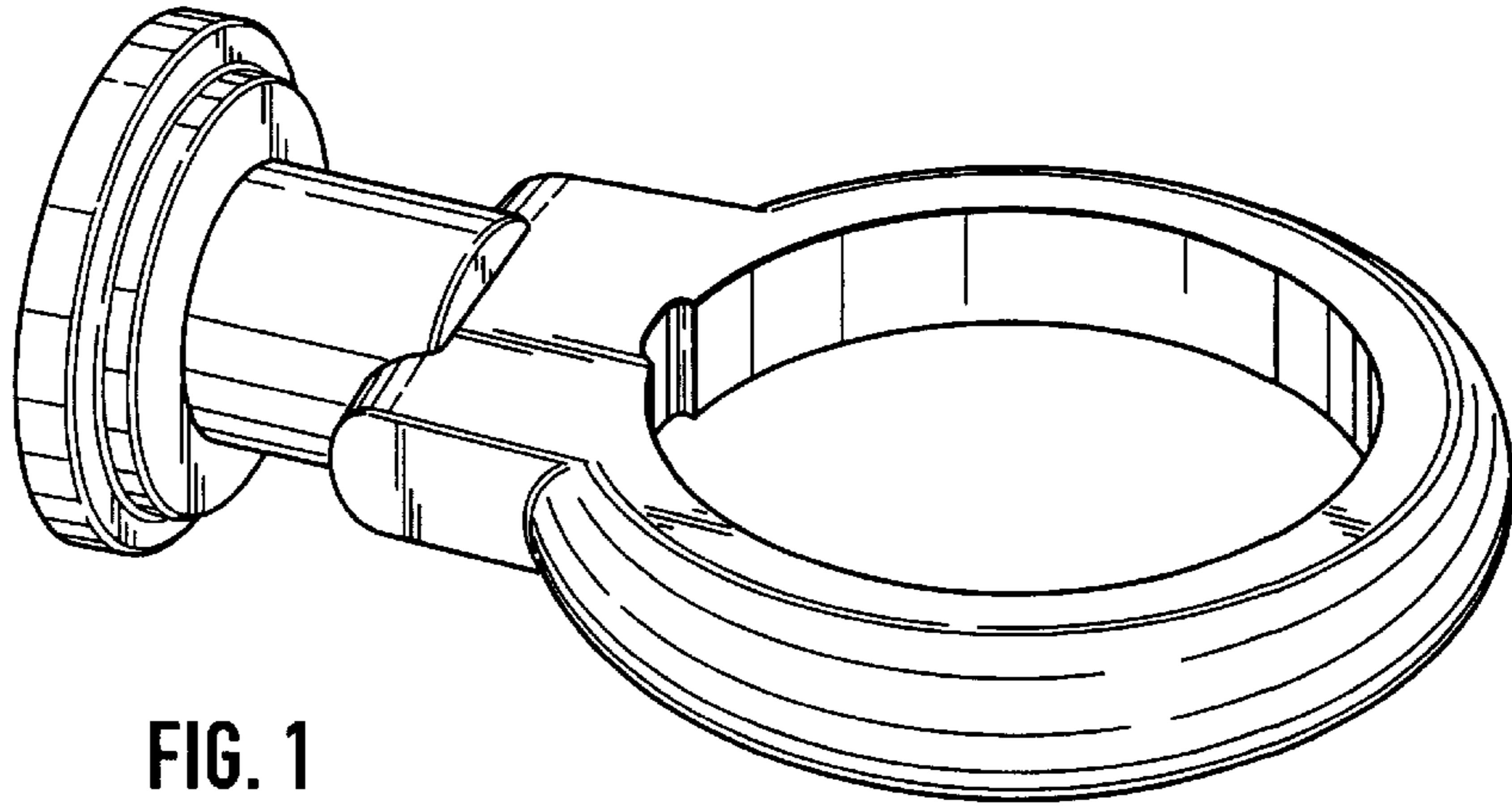


FIG. 1

FIG. 2

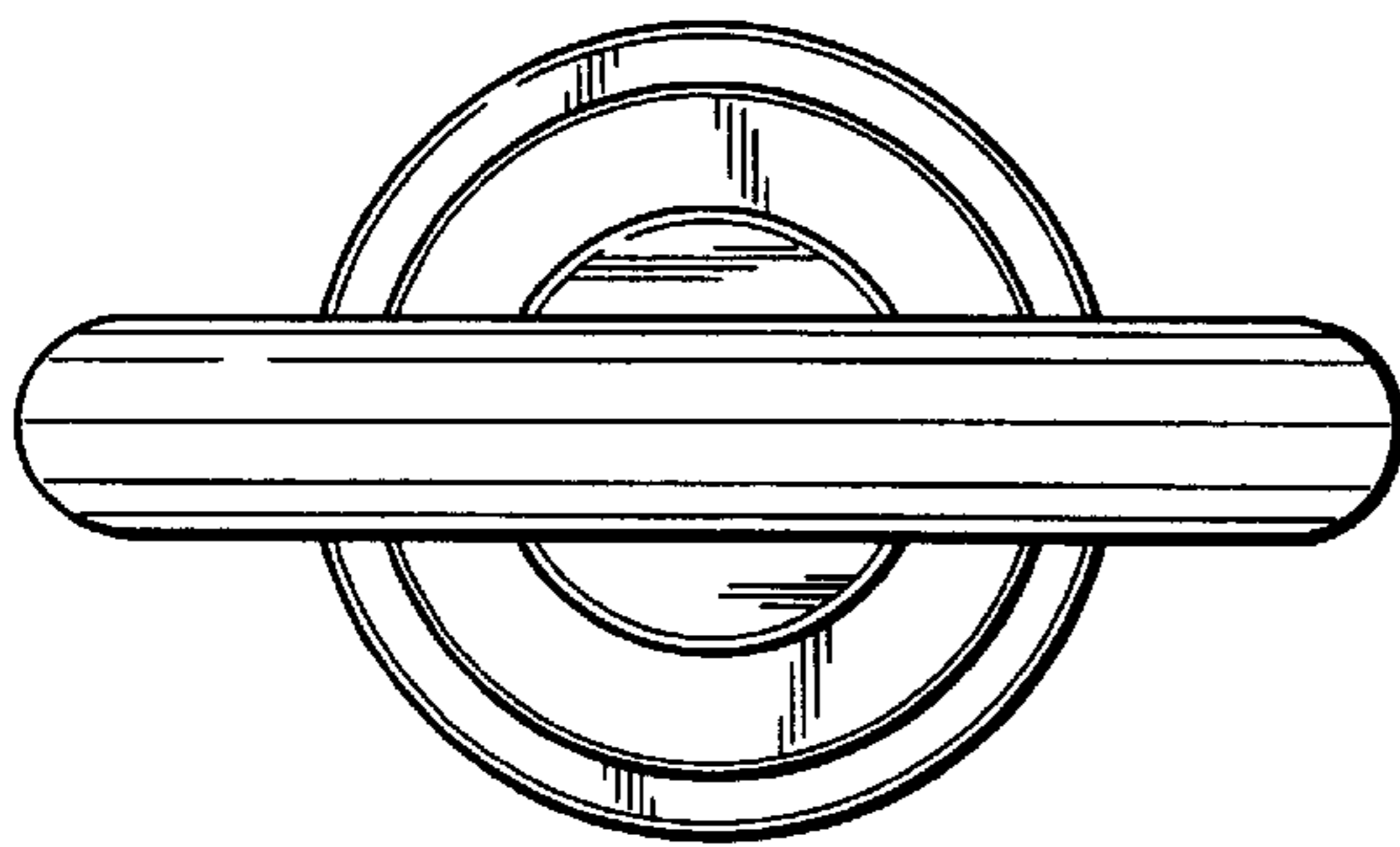


FIG. 3

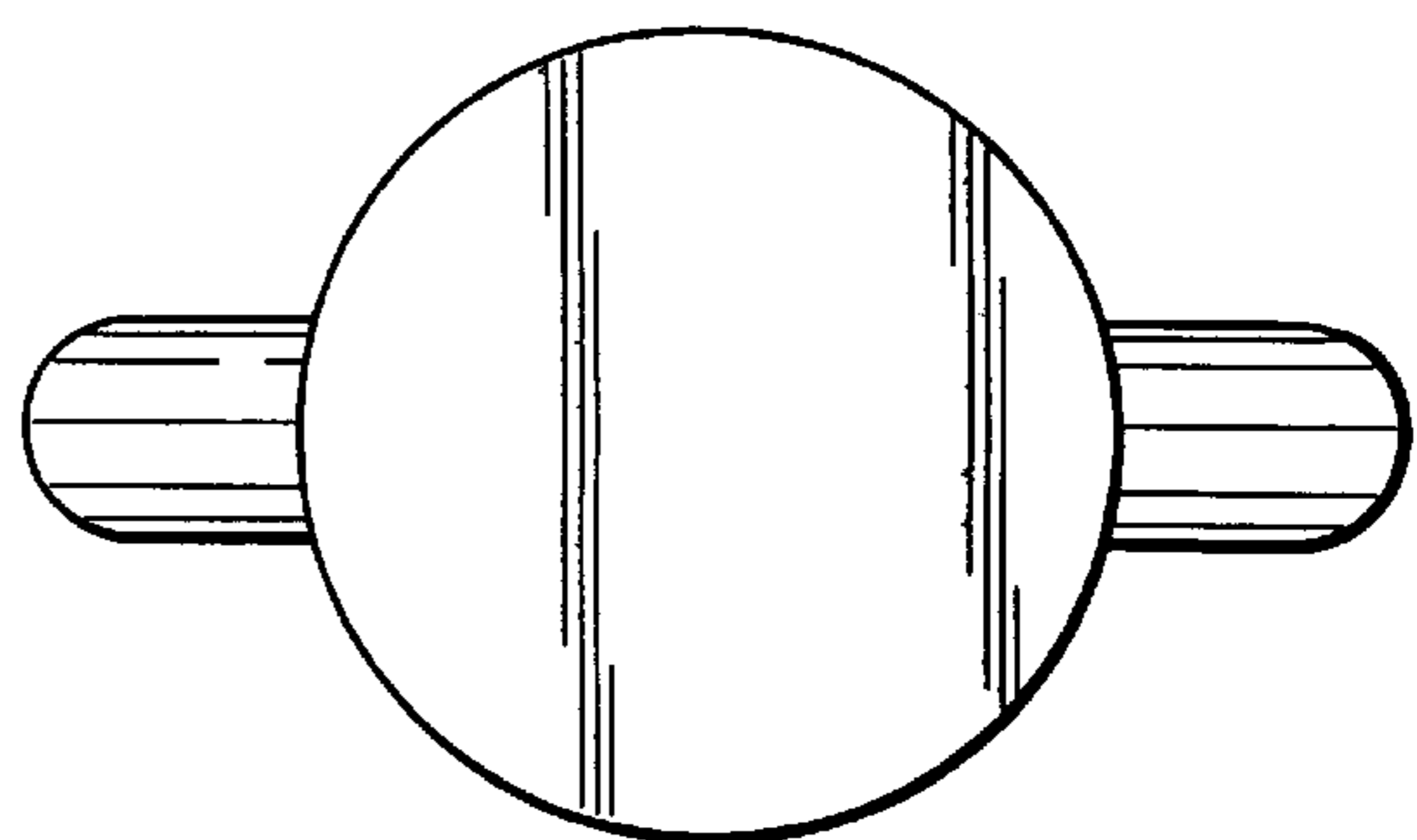


FIG. 4

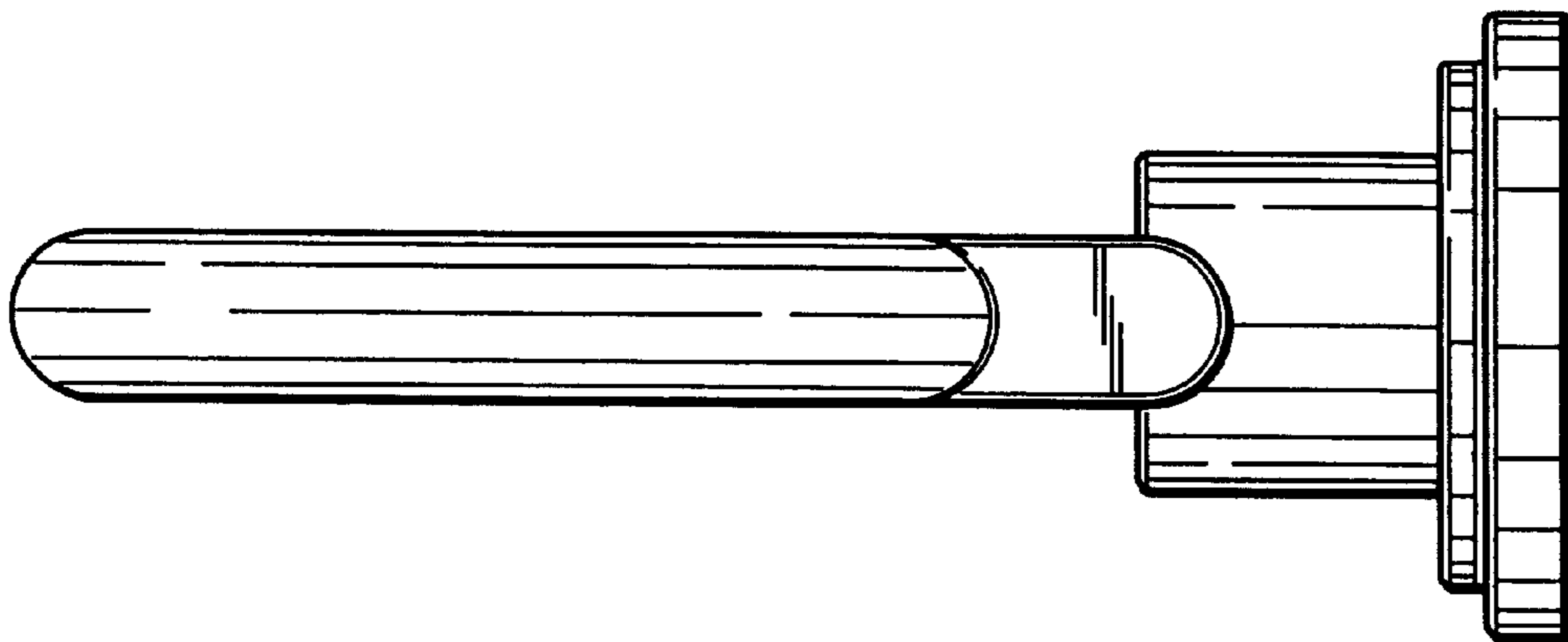
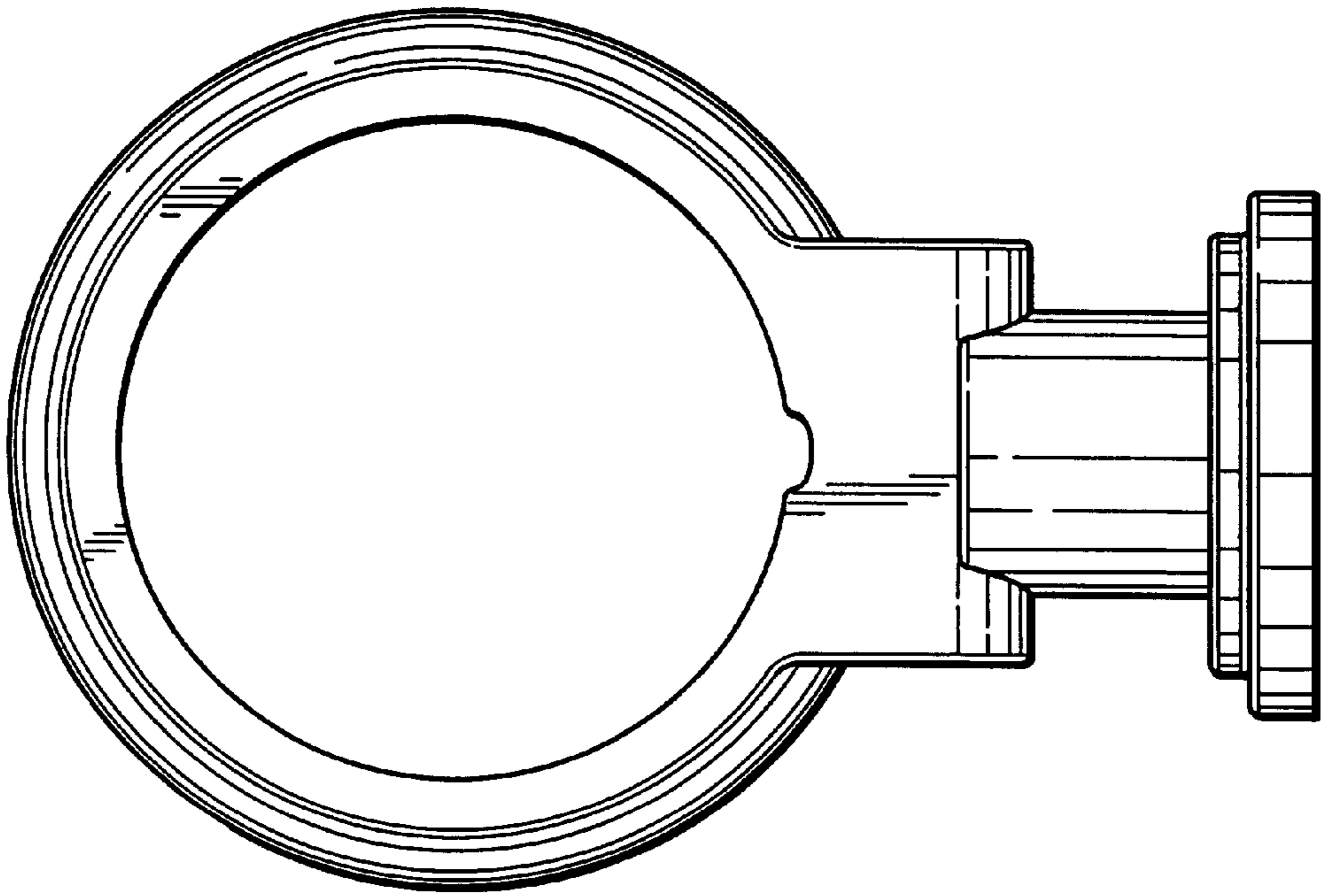


FIG. 5