



US00D450965B1

(12) **United States Design Patent**
Weinberg

(10) **Patent No.:** **US D450,965 S**

(45) **Date of Patent:** **** Nov. 27, 2001**

(54) **TRAVEL SOAP DISH**

(76) **Inventor:** **David Weinberg**, P.O. Box 664,
Wilmette, IL (US) 60091

(**) **Term:** **14 Years**

(21) **Appl. No.:** **29/140,080**

(22) **Filed:** **Apr. 11, 2001**

(51) **LOC (7) Cl.** **23-02**

(52) **U.S. Cl.** **D6/536; D6/540**

(58) **Field of Search** **D6/536-540, 529,**
D6/532; 206/77.1; 211/13.1, 86.01, 88.01,
126.1, 126.5, 134

1,085,022	1/1914	Condit .	
2,356,056	8/1944	Hogg	25/28
4,588,075	5/1986	Rupp	206/77.1
4,858,757	8/1989	Liggett	206/77.1
4,934,640	6/1990	Bichon	248/206.2
5,279,412	1/1994	Lee	206/77.1
6,152,294	11/2000	Weinberg	203/77.1

* cited by examiner

Primary Examiner—Brian N. Vinson

(74) *Attorney, Agent, or Firm*—Wallenstein & Wagner, Ltd.

(57) **CLAIM**

We claim the ornamental design for a travel soap dish, as shown and described.

DESCRIPTION

FIG. 1 is a perspective view of a soap dish according to the new design.

FIG. 2 is a side view of the soap dish shown in FIG. 1, the opposite side view being substantially identical thereto.

FIG. 3 is a top view of the soap dish shown in FIG. 1.

FIG. 4 is a bottom view of the soap dish shown in FIG. 1.

FIG. 5 is a front view of the soap dish shown in FIG. 1; and,

FIG. 6 is a back view of the soap dish shown in FIG. 1.

Features shown in broken lines in the drawings are not part of the claim.

1 Claim, 2 Drawing Sheets

(56) **References Cited**

U.S. PATENT DOCUMENTS

D. 46,973	2/1915	Shepard .	
D. 68,538	10/1925	Moineau .	
D. 121,813	4/1940	Isenberg .	
D. 327,594	* 7/1992	Emery	D6/540
D. 327,596	7/1992	Emery	D6/537
D. 380,919	7/1997	Goodman et al.	D6/537
D. 385,137	* 10/1997	Seidel	D6/536
D. 386,029	* 11/1997	Hsu	D6/536
D. 444,012	* 6/2001	Ferrer Beltran	D6/536
553,467	1/1896	Huebel .	
570,666	11/1896	Huebel .	

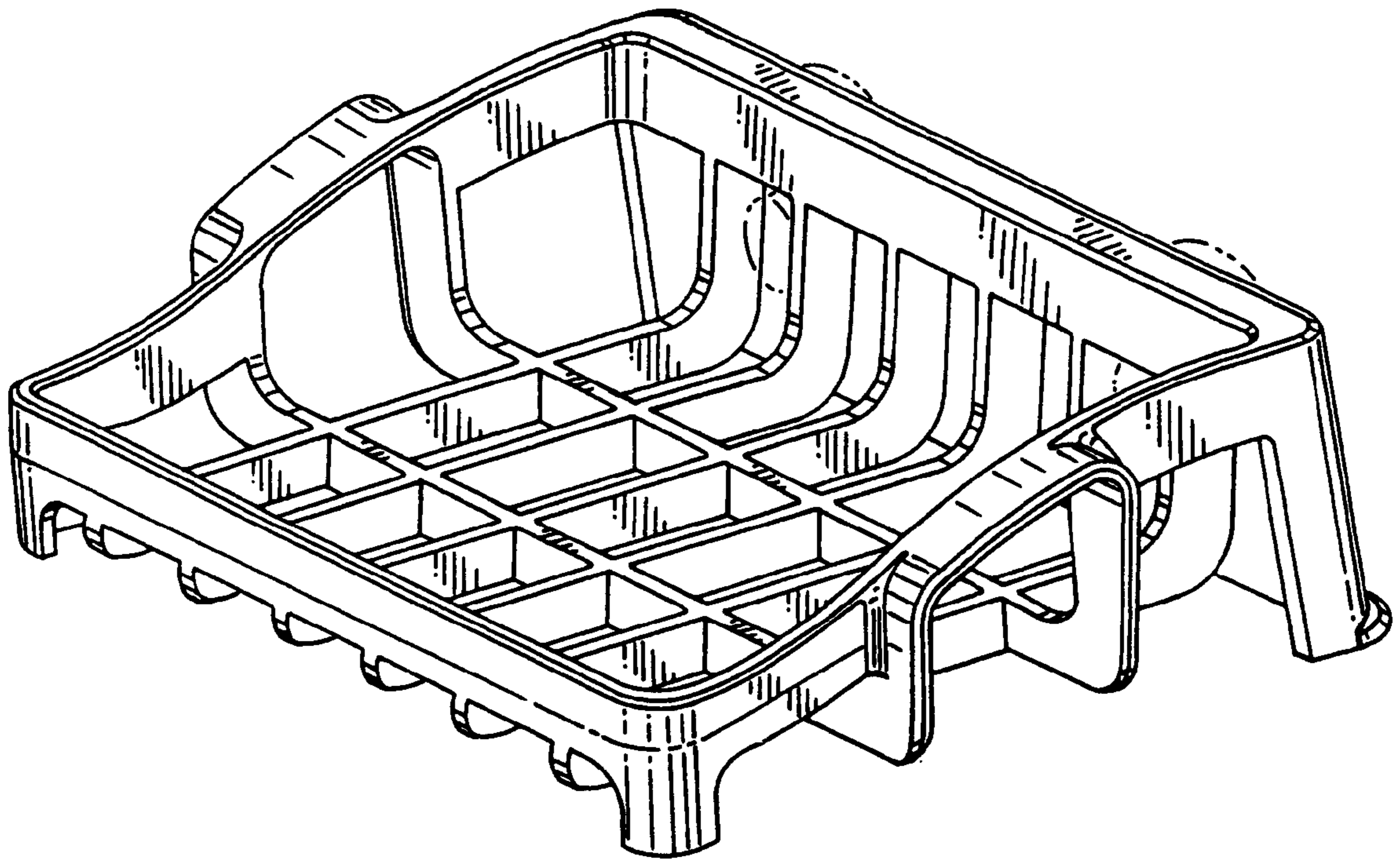


FIG. 1

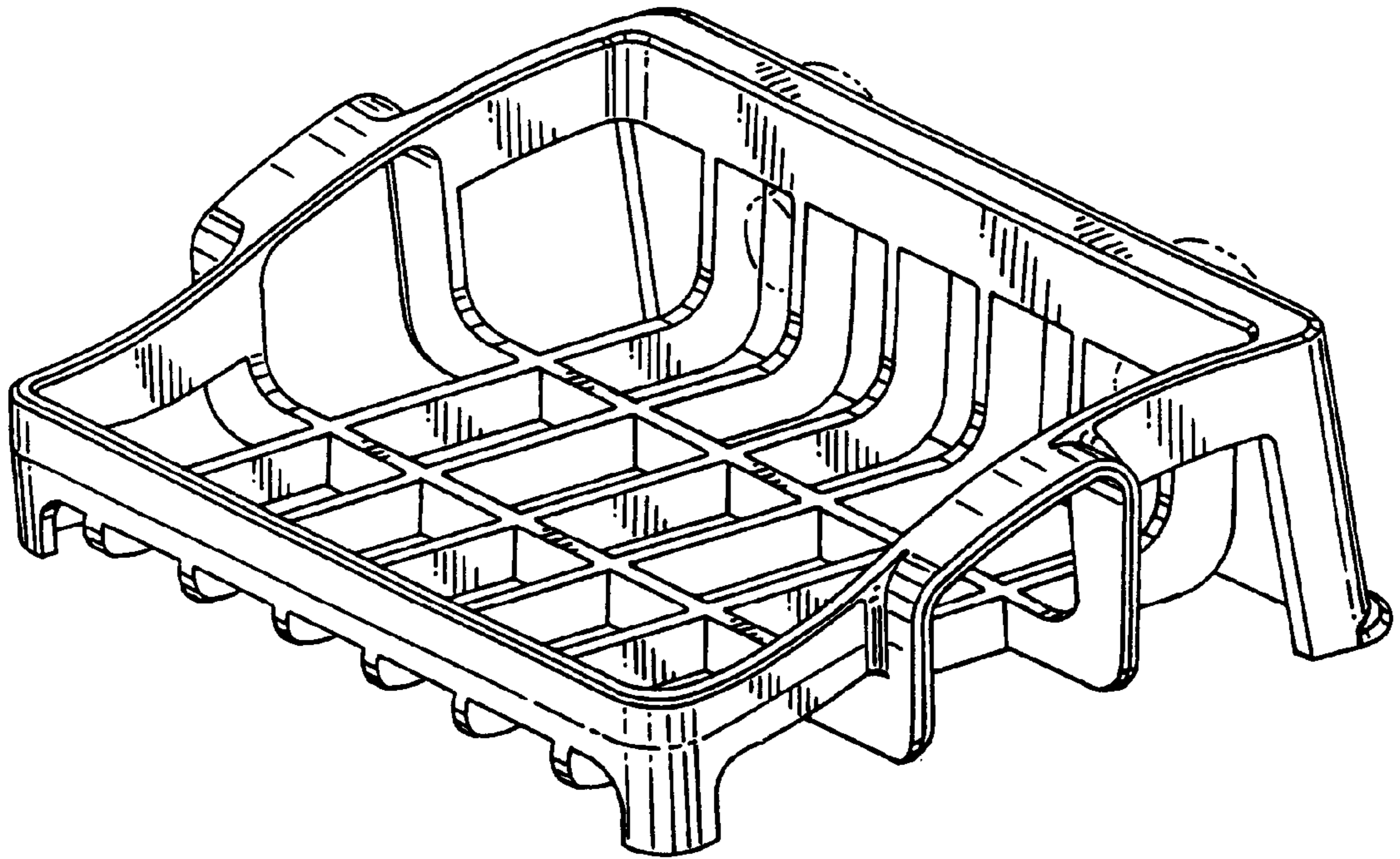
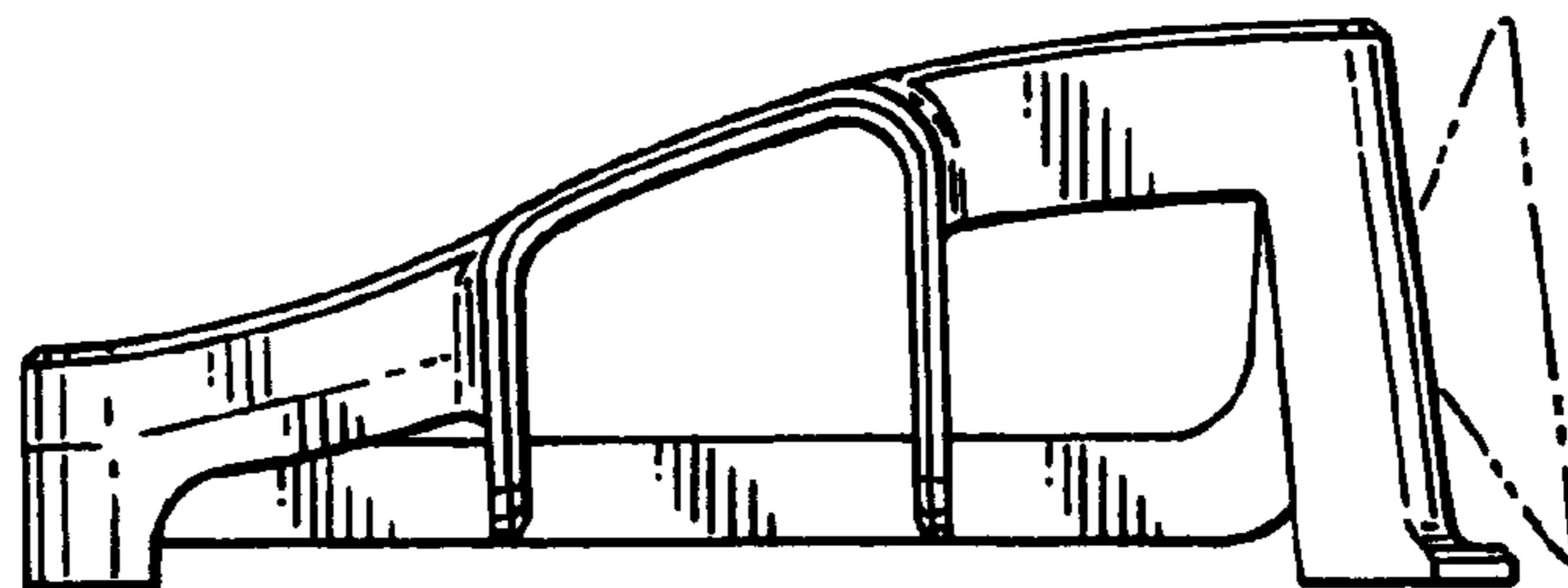


FIG. 2



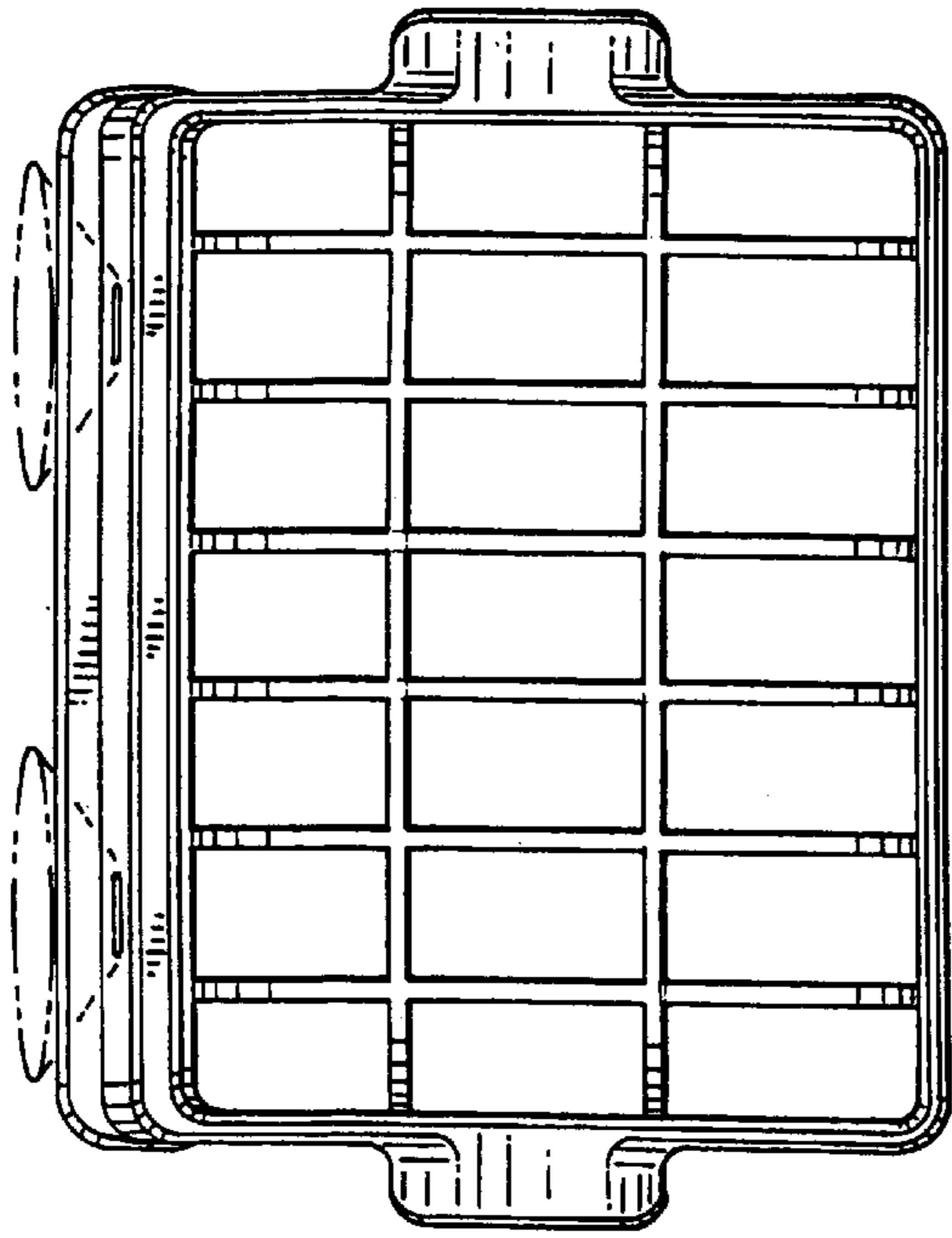


FIG. 3

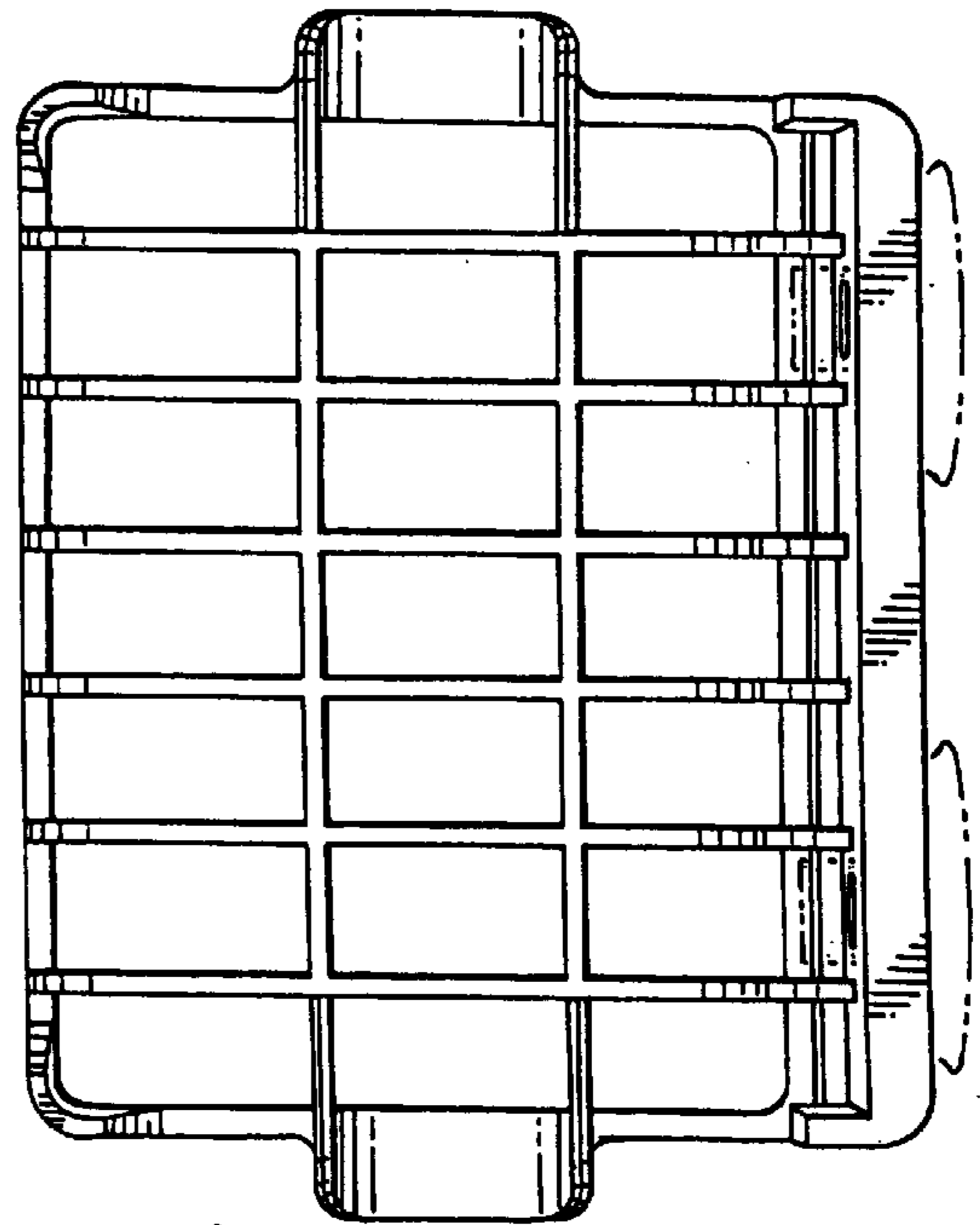


FIG. 4

FIG. 5

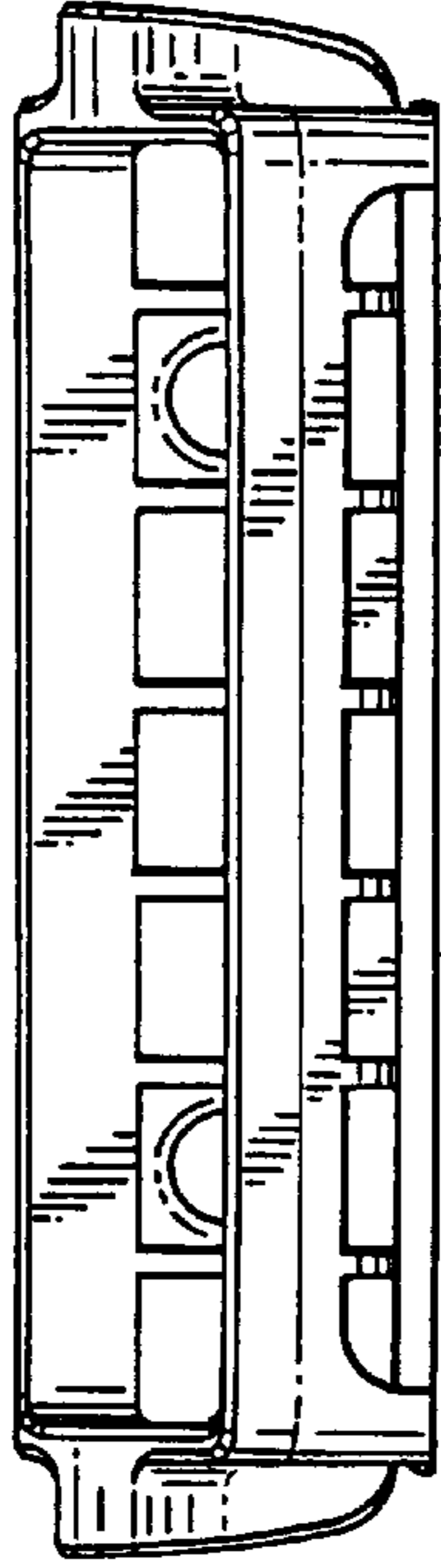


FIG. 6

