



US00D450960B1

(12) **United States Design Patent**
Boyea et al.

(10) **Patent No.: US D450,960 S**

(45) **Date of Patent: ** Nov. 27, 2001**

(54) **WIPES CONTAINER**

(75) Inventors: **Nancy Boyea**, Averill Park, NY (US);
George Lesenskyj, Robbinsville; **Peter Piscopo**, Medford, both of NJ (US);
Richard Seager, Mystic, CT (US)

(73) Assignee: **Playtex Products, Inc.**, Westport, CT (US)

(**) Term: **14 Years**

(21) Appl. No.: **29/130,294**

(22) Filed: **Sep. 29, 2000**

(51) **LOC (7) Cl. 20-02**

(52) **U.S. Cl. D6/515**

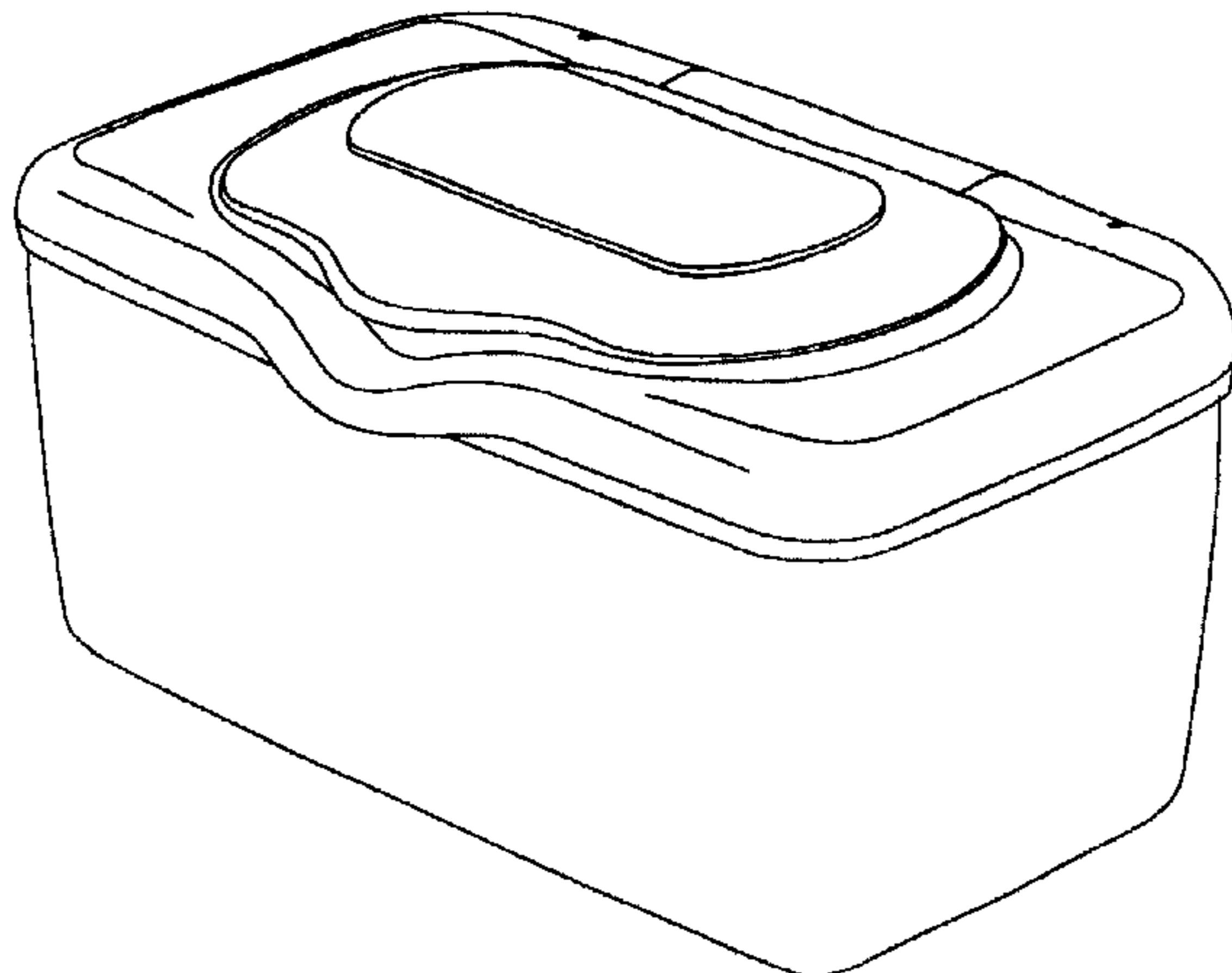
(58) **Field of Search** D6/515-523; D9/549,
D9/423, 425, 424, 420; D3/273, 294, 310;
206/389, 409; 221/26, 33, 45, 282, 284

(56) **References Cited**

U.S. PATENT DOCUMENTS

Re. 34,324	7/1993	Haenni et al.	225/106
D. 96,471	8/1935	Horwitt .	
D. 158,485	5/1950	Manetti	D52/2
D. 159,753	8/1950	Pelton	D58/2
D. 167,890	10/1952	Hallward	D4/3
D. 182,410	4/1958	Gemora	D4/3
D. 184,218	1/1959	Fishman	D52/2
D. 203,869	2/1966	Poris	D52/2
D. 244,583	6/1977	Barish	D9/236
D. 254,898	5/1980	Buerck	D9/259
D. 275,653	9/1984	Crutchfield	D9/420
D. 289,262	4/1987	Goetz et al.	D9/420
D. 295,830	5/1988	Holly	D9/420
D. 295,961	5/1988	Holly	D9/420
D. 311,334	10/1990	Flynn et al.	D9/424
D. 326,226	5/1992	Gerhart	D9/423
D. 330,161	10/1992	Schuh	D9/423
D. 332,917	2/1993	McDevitt et al.	D9/423
D. 337,227	7/1993	Giugiaro	D6/518
D. 343,795	2/1994	Verchere	D9/425
D. 351,090	10/1994	Narsutis	D7/629
D. 354,436	1/1995	Krupa	D9/423

D. 363,663	10/1995	Plater	D9/425
D. 363,669	10/1995	Pennoyer, Jr.	D9/423
D. 365,755	1/1996	Kanfer et al.	D9/423
D. 367,609	3/1996	Frank et al.	D9/425
D. 371,962	7/1996	Petruzzi	D9/423
D. 374,774	10/1996	Cassel	D3/294
D. 384,502	10/1997	Seager et al.	D3/294
1,919,605	7/1933	Swallow .	
2,433,587	12/1947	Wentworth	312/50
2,640,587	6/1953	Smith	206/37
2,689,059	9/1954	Nudell	220/41
2,826,230	3/1958	Conell	150/52
3,002,668	10/1961	Castelli	225/52
3,207,360	9/1965	Scott	221/48
3,207,361	9/1965	Marcalus	221/48
3,235,196	2/1966	Platt	242/55.53
3,269,593	8/1966	Lodewick et al.	221/63
3,395,830	8/1968	Buttery	221/63
3,780,908	12/1973	Fitzpatrick et al.	221/48
3,784,056	1/1974	Spruyt et al.	221/63
3,819,043	6/1974	Harrison	206/449
3,836,044	9/1974	Tilp et al.	221/55
3,836,045	9/1974	Duhy et al.	221/63
3,967,756	7/1976	Barish	221/45
3,982,659	9/1976	Ross	221/63
3,986,479	10/1976	Bonk	118/506
4,138,034	2/1979	McCarthy	221/48
4,143,762	3/1979	Spiegelberg	206/210
4,289,262	9/1981	Finkelstein	225/106
4,411,374	10/1983	Hotchkiss	221/63
4,469,243	9/1984	Ito et al.	221/34
4,535,912	8/1985	Bonk	221/46
4,566,606	1/1986	Kling	221/25
4,574,952	3/1986	Masui	206/494
4,638,921	1/1987	Sigl et al.	221/1
4,651,895	3/1987	Niske et al.	221/63
4,678,099	7/1987	Matsui	221/48
4,699,290	10/1987	Adams	220/258
4,700,842	10/1987	Grusin	206/508
4,735,317	4/1988	Sussman et al.	206/449
4,836,410	6/1989	Mastrobuoni	221/47
4,844,263	7/1989	Hadtke	206/508
4,848,575	7/1989	Nakamura et al.	206/449
4,892,220	1/1990	Foos	220/339
5,024,349	6/1991	Haenni et al.	221/46
5,040,680	8/1991	Wilson et al.	206/459
5,050,737	9/1991	Joslyn et al.	206/494
5,065,887	11/1991	Schuh et al.	220/338
5,137,173	8/1992	Hughes et al.	221/34



5,316,177	5/1994	Boldt	221/63
5,531,325	7/1996	Deflander et al.	206/494
5,542,567	8/1996	Julius	221/63
5,542,568	8/1996	Julius	221/63
5,613,608	3/1997	Tronchetti et al.	206/494
5,699,912	12/1997	Ishikawa et al.	206/494
5,699,925	12/1997	Petruzzi	220/4.27
5,704,471	1/1998	Yamada	206/207
5,729,955	3/1998	Yamada	53/412
5,785,179	7/1998	Buczynski et al.	206/494

FOREIGN PATENT DOCUMENTS

25 42 038	4/1976	(DE) .
0 006 709	1/1980	(EP) .
2-265479	10/1990	(JP) .
406263174	9/1994	(JP) .
7900371	1/1979	(NL) .

Primary Examiner—Brian N. Vinson
(74) Attorney, Agent, or Firm—Ohlandt, Greeley, Ruggiero
& Perle, LLP

(57)

CLAIM

The ornamental design for a wipes container, as shown and described.

DESCRIPTION

FIG. 1 is a perspective view of a wipes container showing our design with the lid in a closed position;
FIG. 2 is a side view of the wipes container of FIG. 1;
FIG. 3 is a front view of the wipes container of FIG. 1;
FIG. 4 is a rear view of the wipes container of FIG. 1;
FIG. 5 is a top view of the wipes container of FIG. 1;
FIG. 6 is a bottom view of the wipes container of FIG. 1;
and,
FIG. 7 is a perspective view of the wipes container of FIG. 1 with the lid in an open position.

1 Claim, 4 Drawing Sheets

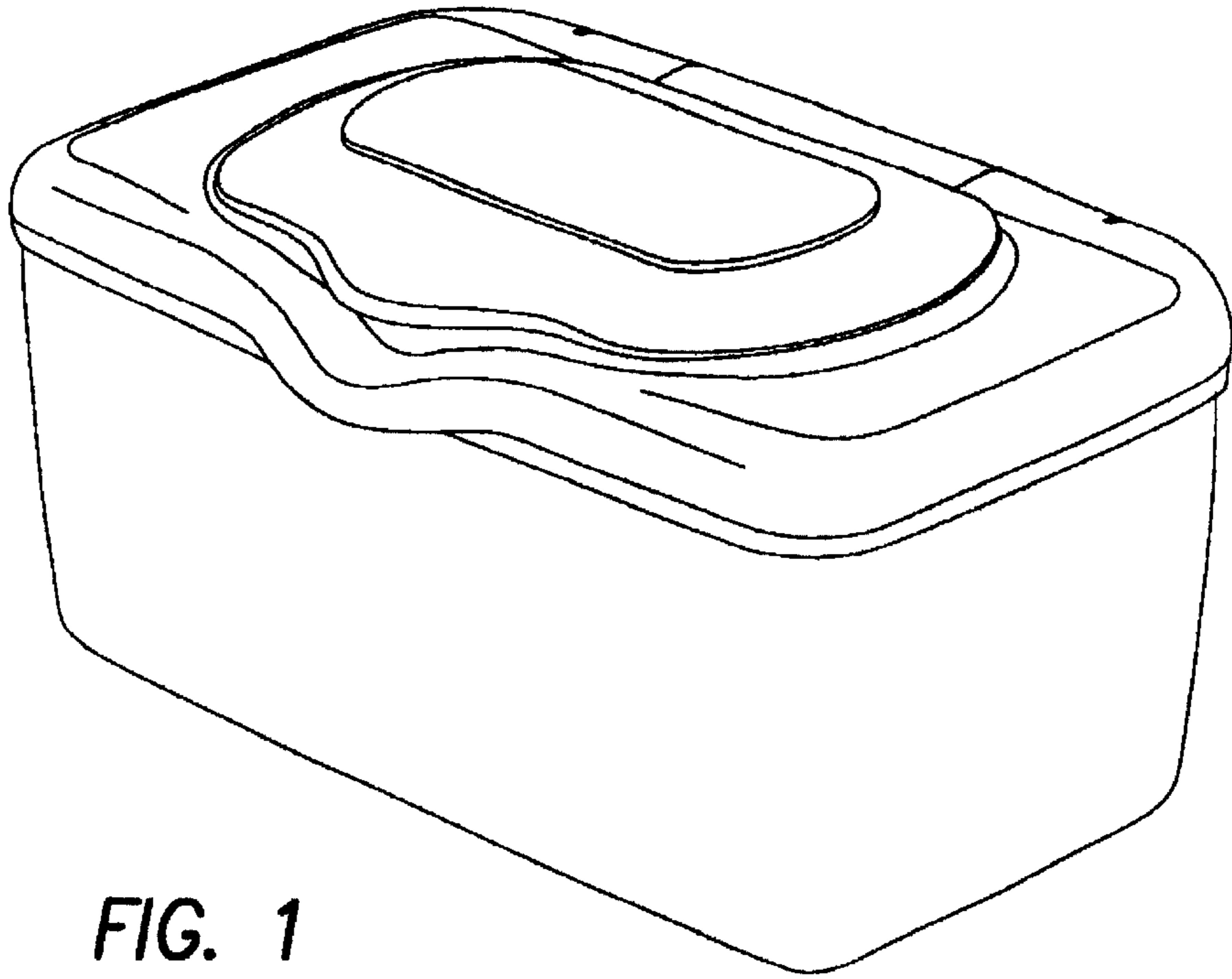


FIG. 1

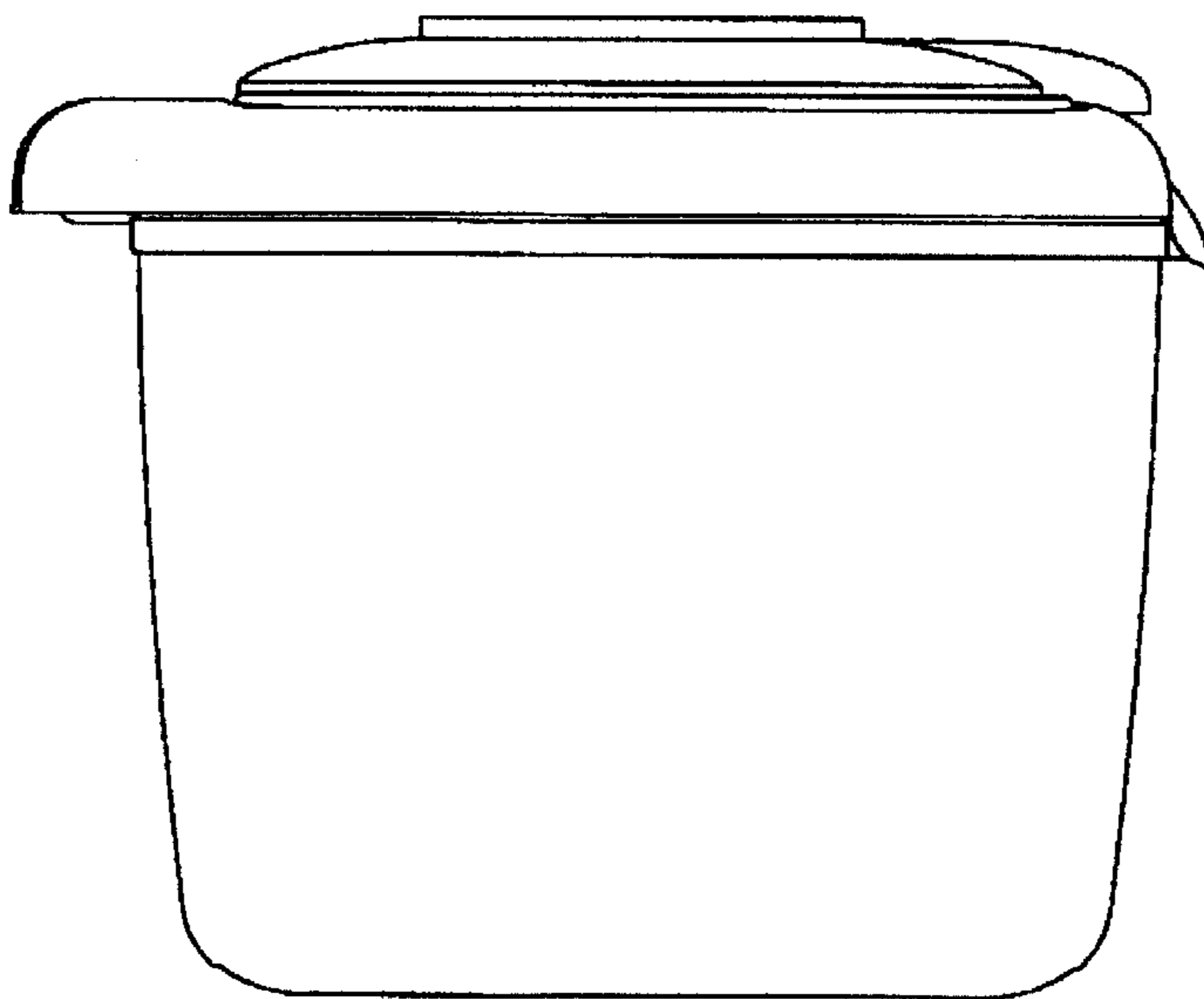


FIG. 2

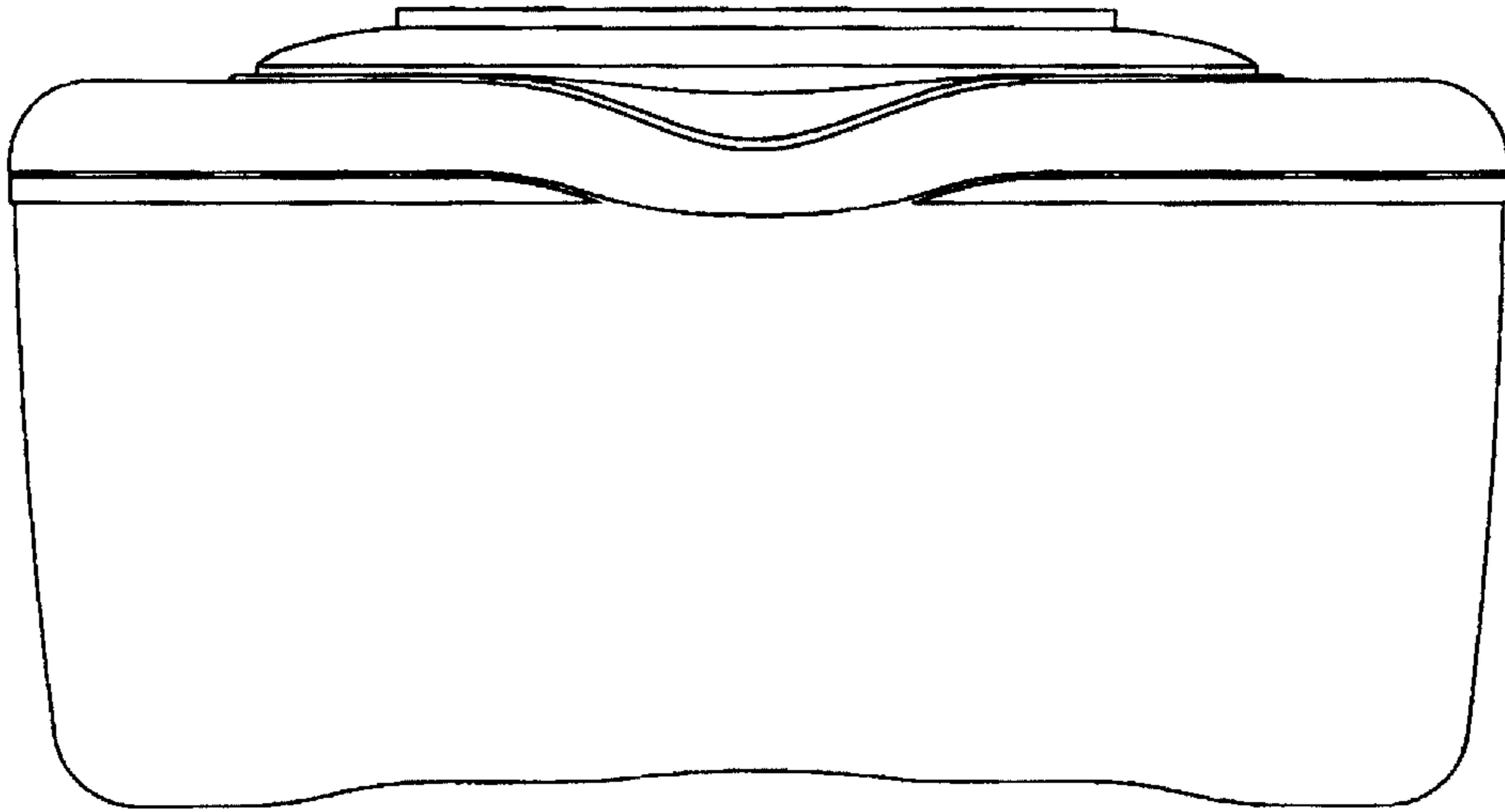


FIG. 3

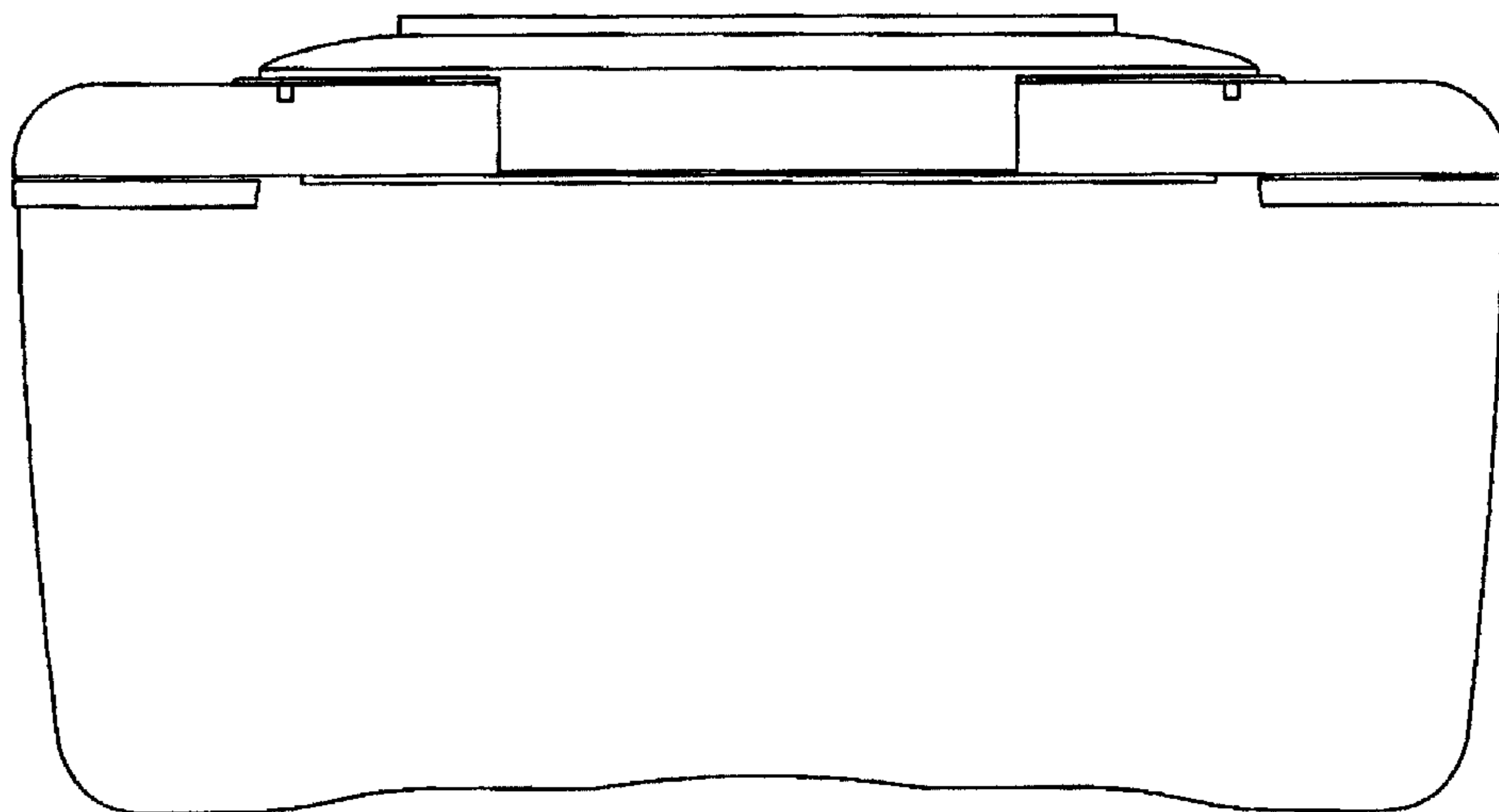


FIG. 4

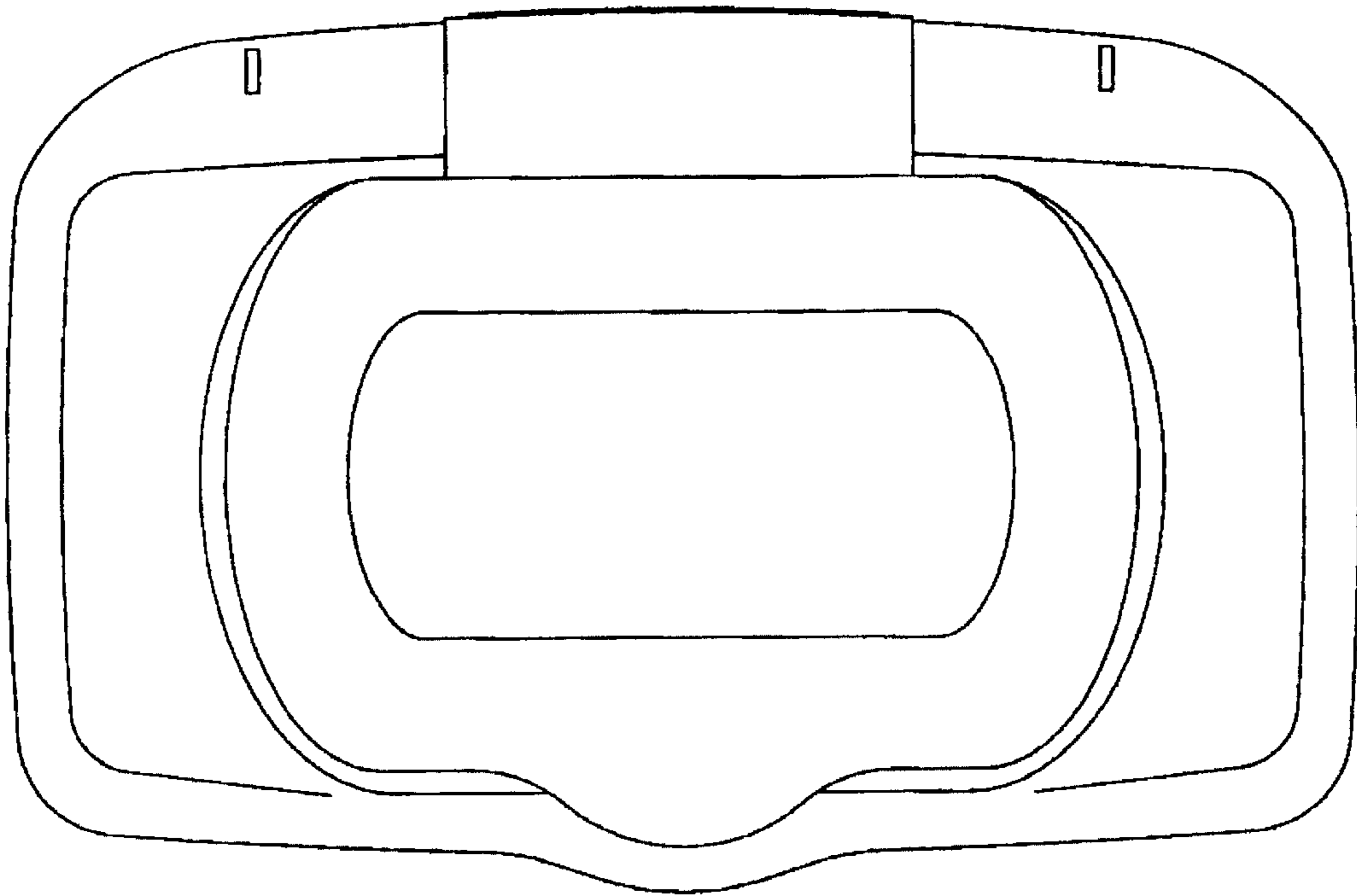


FIG. 5

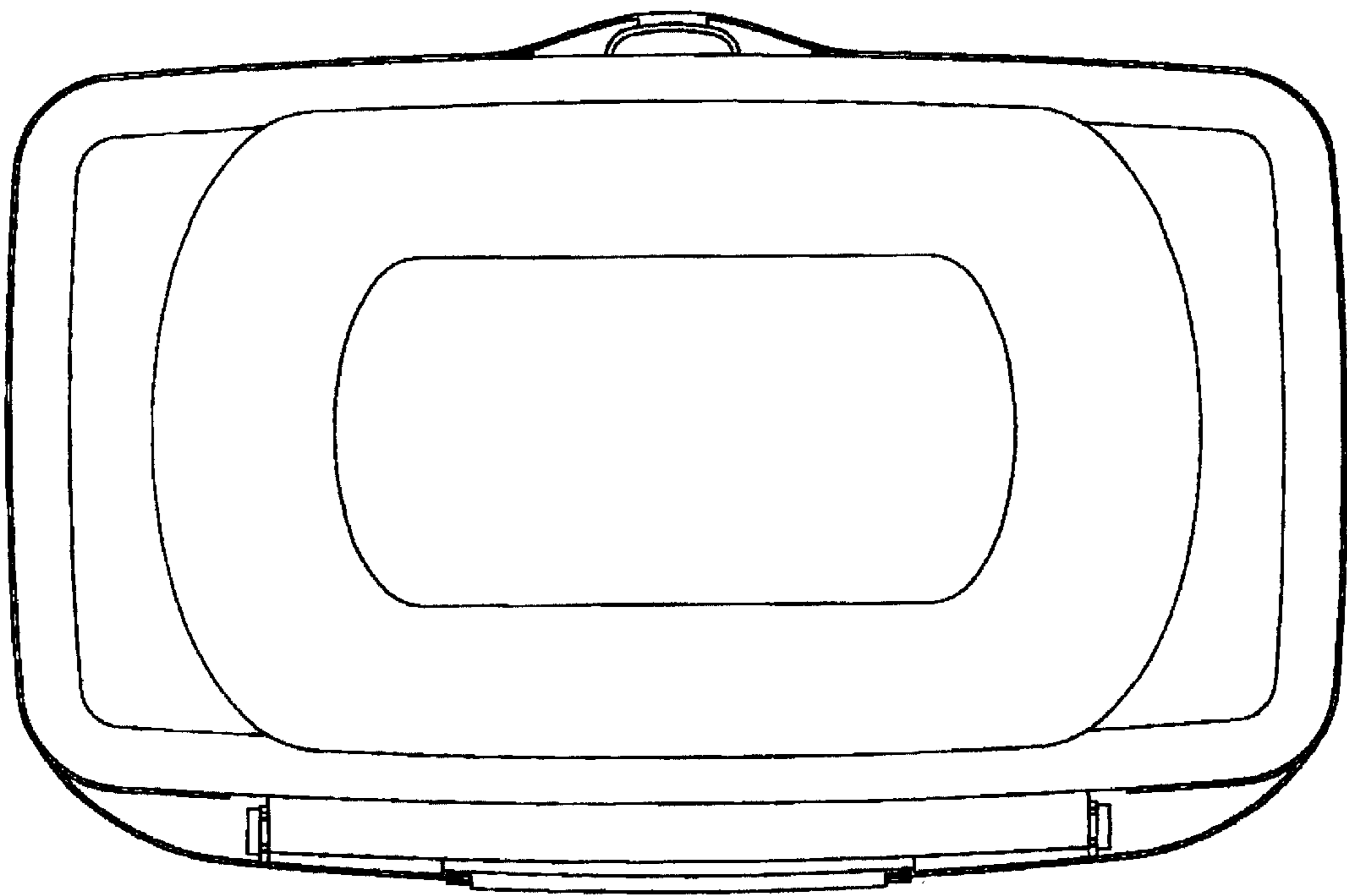


FIG. 6

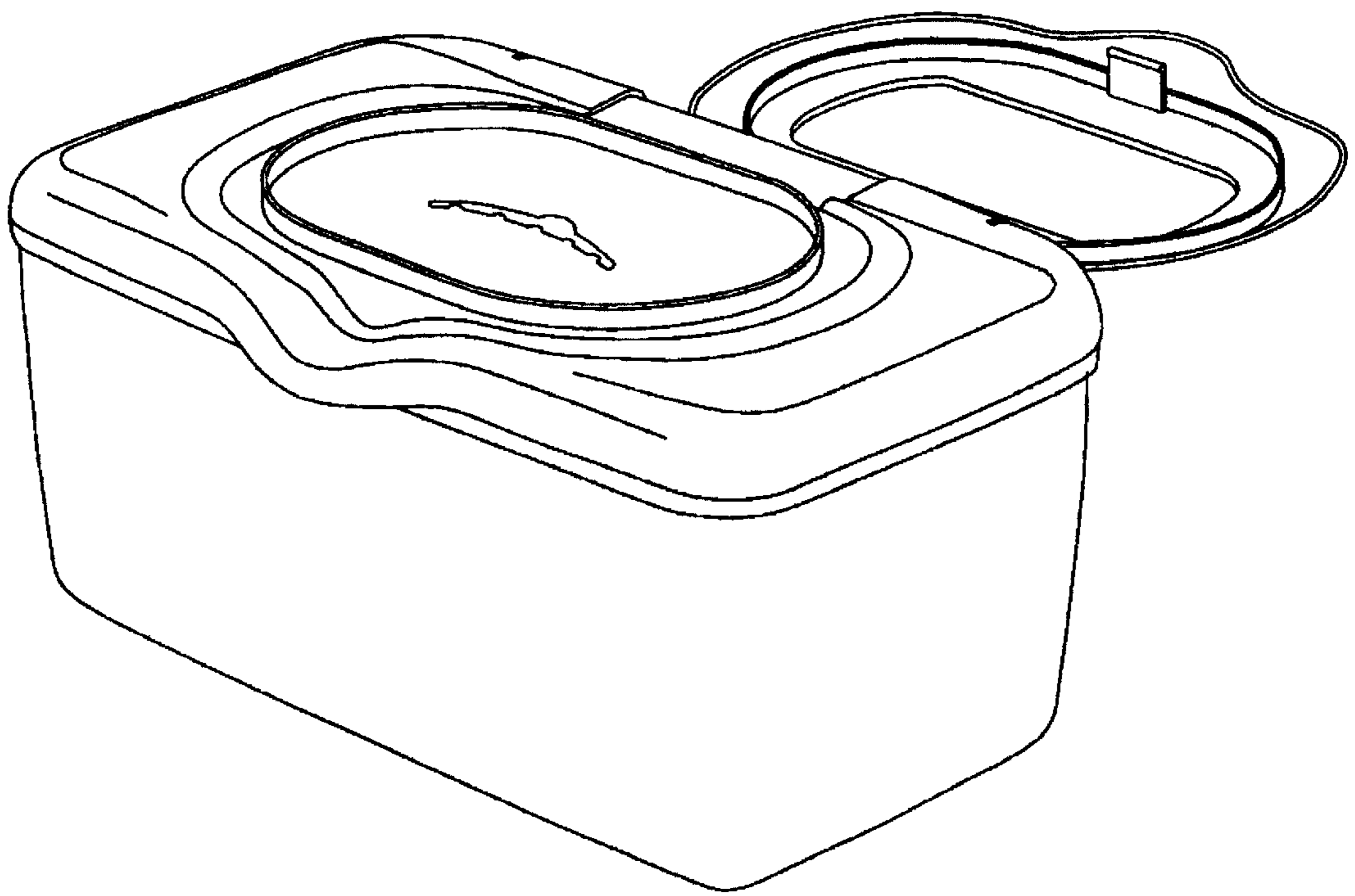


FIG. 7