



US00D450959B1

(12) **United States Design Patent**
Birsel et al.

(10) **Patent No.:** **US D450,959 S**
(45) **Date of Patent:** **** Nov. 27, 2001**

(54) **TABLETOP**

(75) Inventors: **Ayse Gul Birsel**, New York, NY (US);
Robert W. Insalaco, Holland, MI (US);
Ayako Takase, Brooklyn, NY (US)

(73) Assignee: **Herman Miller, Inc.**, Zeeland, MI (US)

(**) Term: **14 Years**

(21) Appl. No.: **29/128,075**

(22) Filed: **Aug. 17, 2000**

(51) **LOC (7) Cl.** **06-06**

(52) **U.S. Cl.** **D6/511**

(58) **Field of Search** D6/480-489, 511,
D6/470; 108/153.1, 157.1, 155, 156, 161,
25, 26, 23, 14

(56) **References Cited**

U.S. PATENT DOCUMENTS

| | | | |
|-----------|----------|--------------------|-----------|
| 2,497,278 | 2/1950 | Soderlund . | |
| 3,413,053 | 11/1968 | Featherston . | |
| 3,566,816 | * 3/1971 | Zilg | 108/14 |
| 3,655,253 | 4/1972 | Deeds et al. . | |
| 5,055,081 | 10/1991 | Nayak . | |
| 5,327,838 | 7/1994 | Beltman . | |
| 5,556,181 | * 9/1996 | Bertrand | 312/313 |
| 5,740,743 | * 4/1998 | Schairbaum | 108/25 |
| 5,766,017 | 6/1998 | Nevin et al. . | |
| 5,778,800 | * 7/1998 | Liang | 108/50.11 |
| 6,012,788 | 1/2000 | Marschand et al. . | |

OTHER PUBLICATIONS

Kiyohiro, Hayashi, Abstract for JP10283065A2: "Dead Space Improving Desk For Computer", issued Oct. 23, 1998.

* cited by examiner

Primary Examiner—Janice E. Seeger

(74) *Attorney, Agent, or Firm*—Brinks Hofer Gilson & Lione

(57) **CLAIM**

The ornamental designs for a tabletop, as shown and described.

DESCRIPTION

FIG. 1 is a perspective view of a first embodiment of a tabletop;

FIG. 2 is a front view of the tabletop shown in FIG. 1, with the rear view being identical thereto;

FIG. 3 is a right side view of the tabletop shown in FIG. 1, with the left side view being identical thereto;

FIG. 4 is a top view of the tabletop shown in FIG. 1;

FIG. 5 is a bottom view of the tabletop shown in FIG. 1;

FIG. 6 is a perspective view of a second embodiment of the tabletop;

FIG. 7 is a front view of the tabletop shown in FIG. 6;

FIG. 8 is a left side view of the tabletop shown in FIG. 6;

FIG. 9 is a rear view of the tabletop shown in FIG. 6;

FIG. 10 is a right side view of the tabletop shown in FIG. 6;

FIG. 11 is a top view of the tabletop shown in FIG. 6;

FIG. 12 is a bottom view of the tabletop shown in FIG. 6;

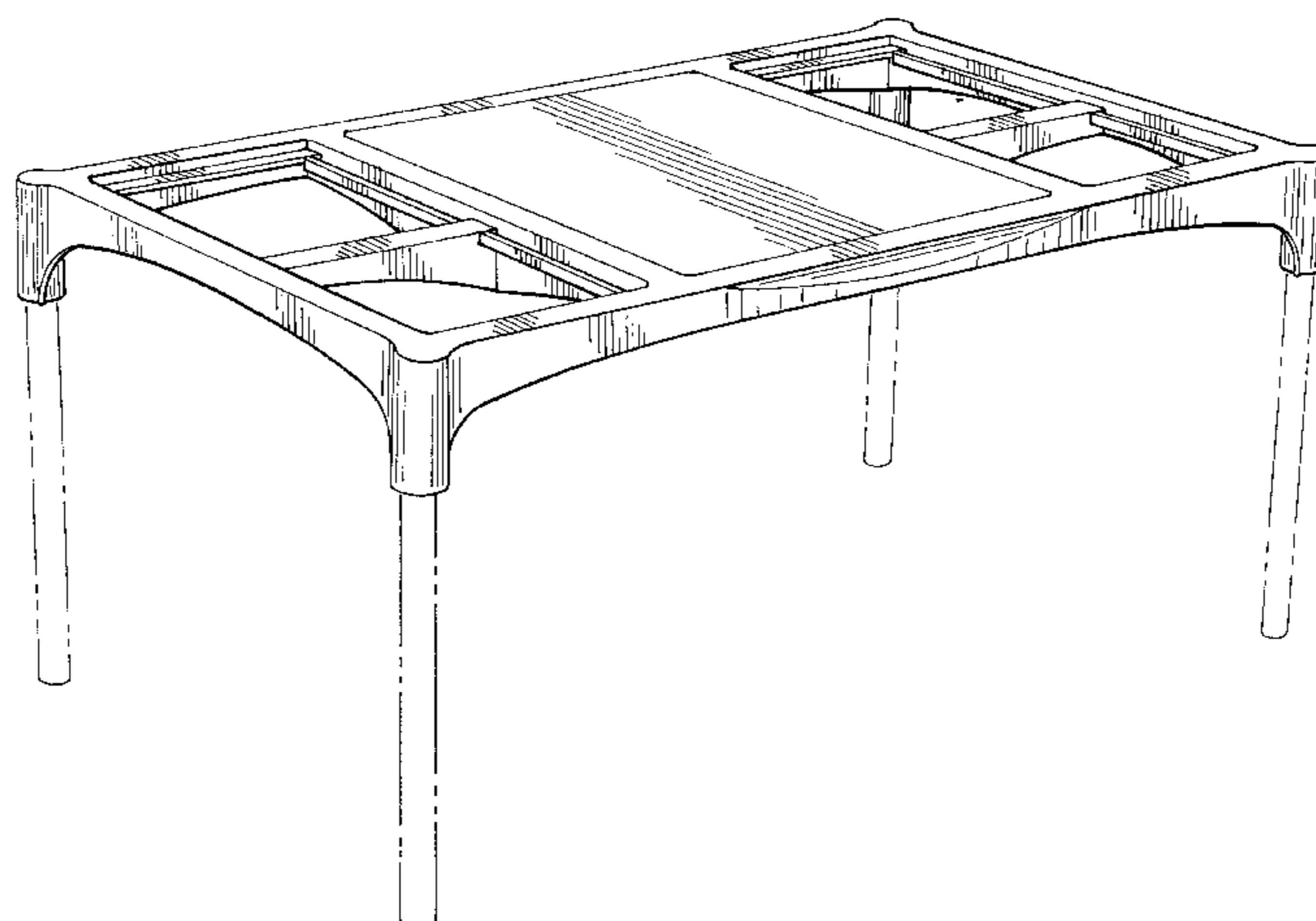
FIG. 13 is a perspective view of a third embodiment of the tabletop, with the front, rear and side views thereof being identical to the views of FIGS. 2 and 3 respectively;

FIG. 14 is a top view of the tabletop shown in FIG. 13; and,

FIG. 15 is a bottom view of the tabletop shown in FIG. 13.

The broken lines showing the support legs in the Figures are for environmental purposes only and do not form any part of the claimed designs.

1 Claim, 9 Drawing Sheets



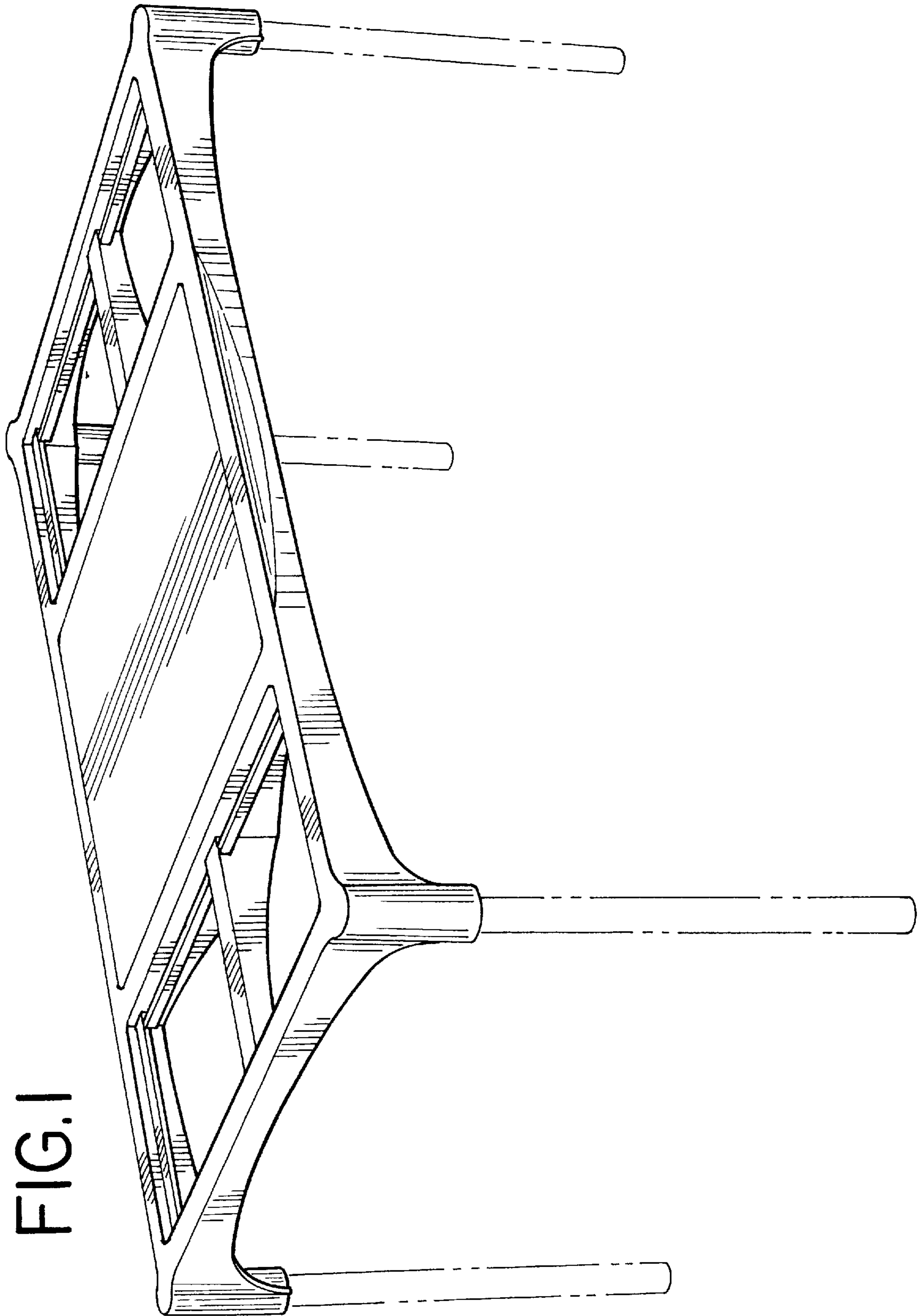


FIG.2

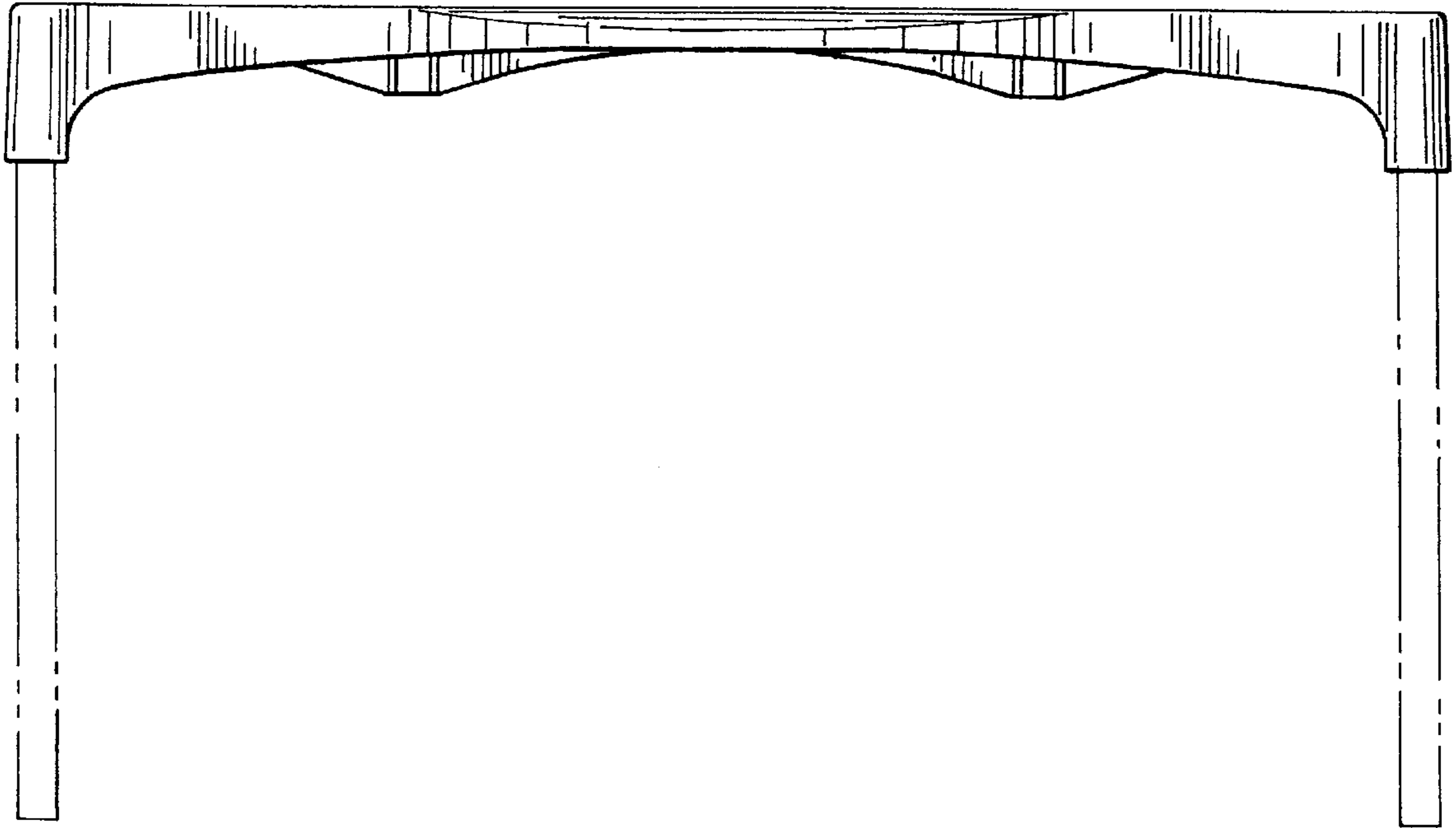


FIG.3

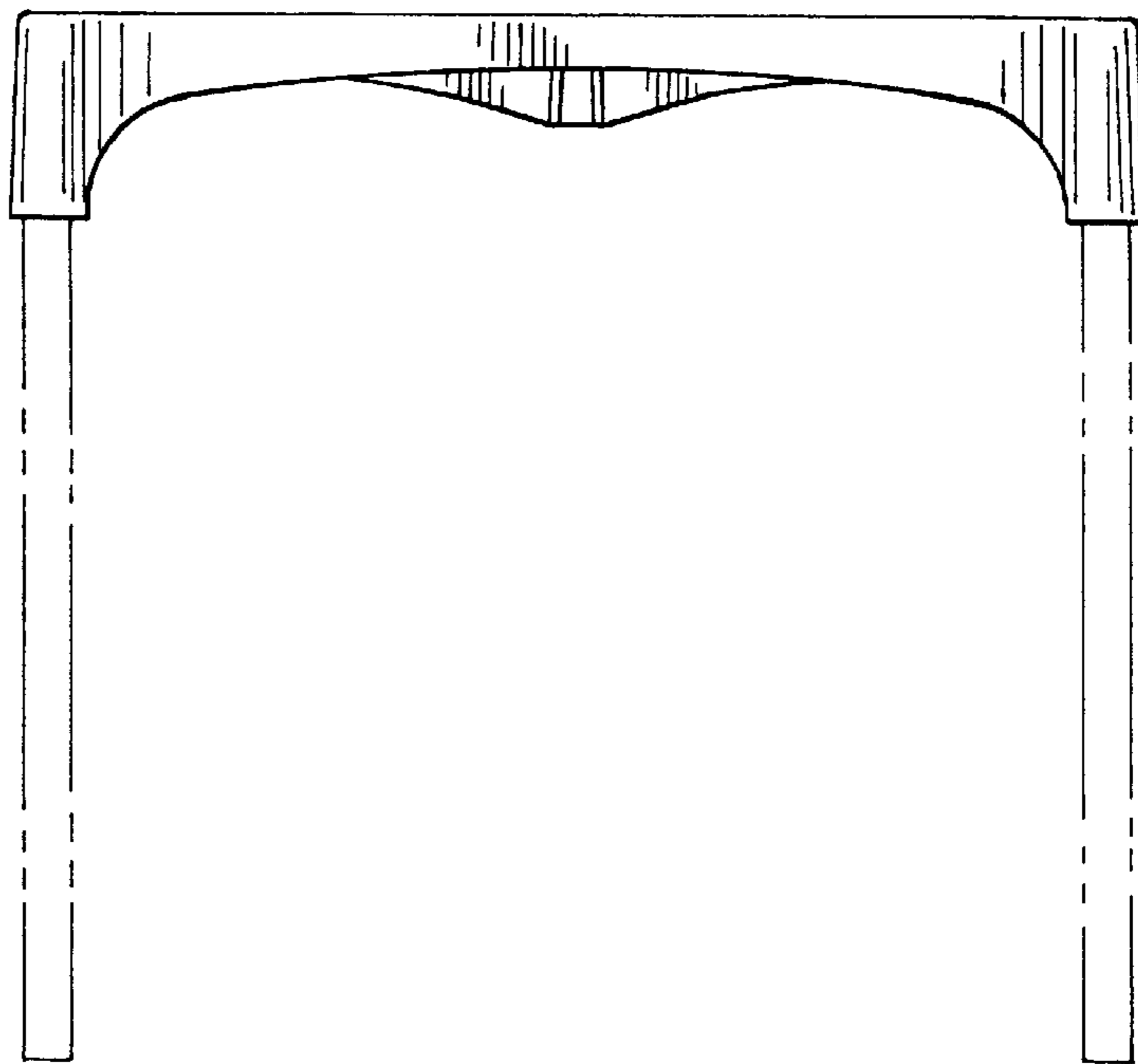


FIG.4

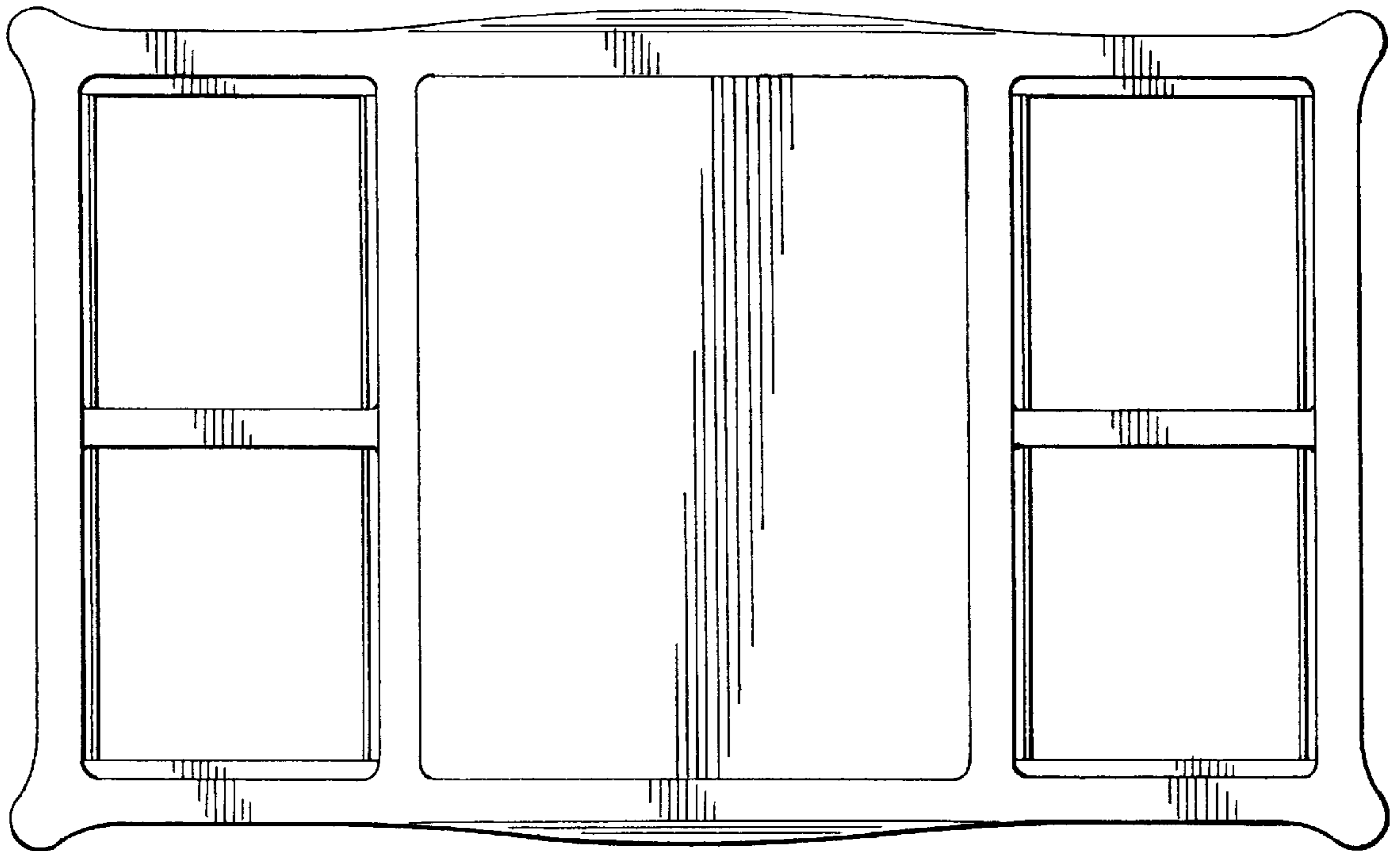
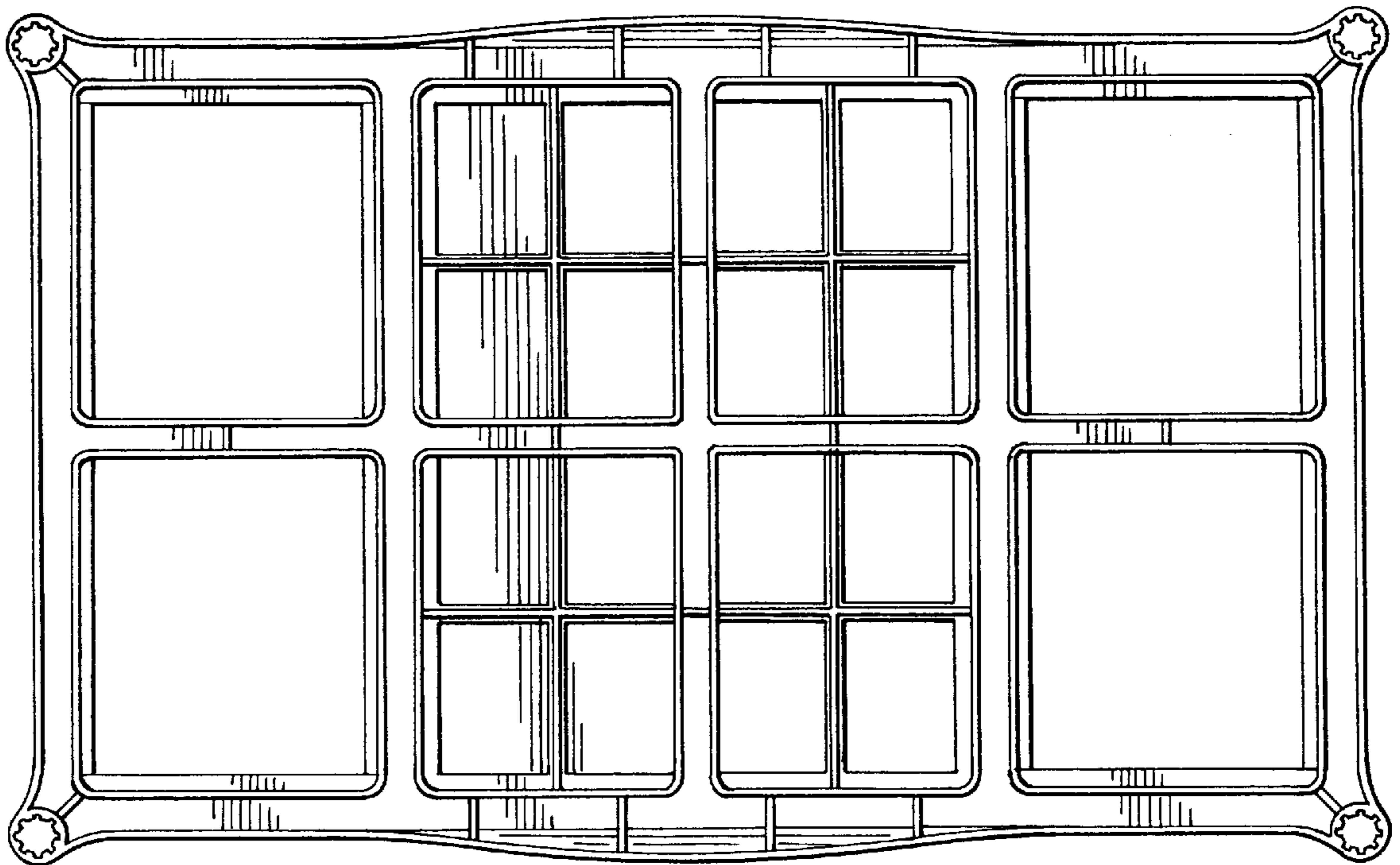


FIG.5



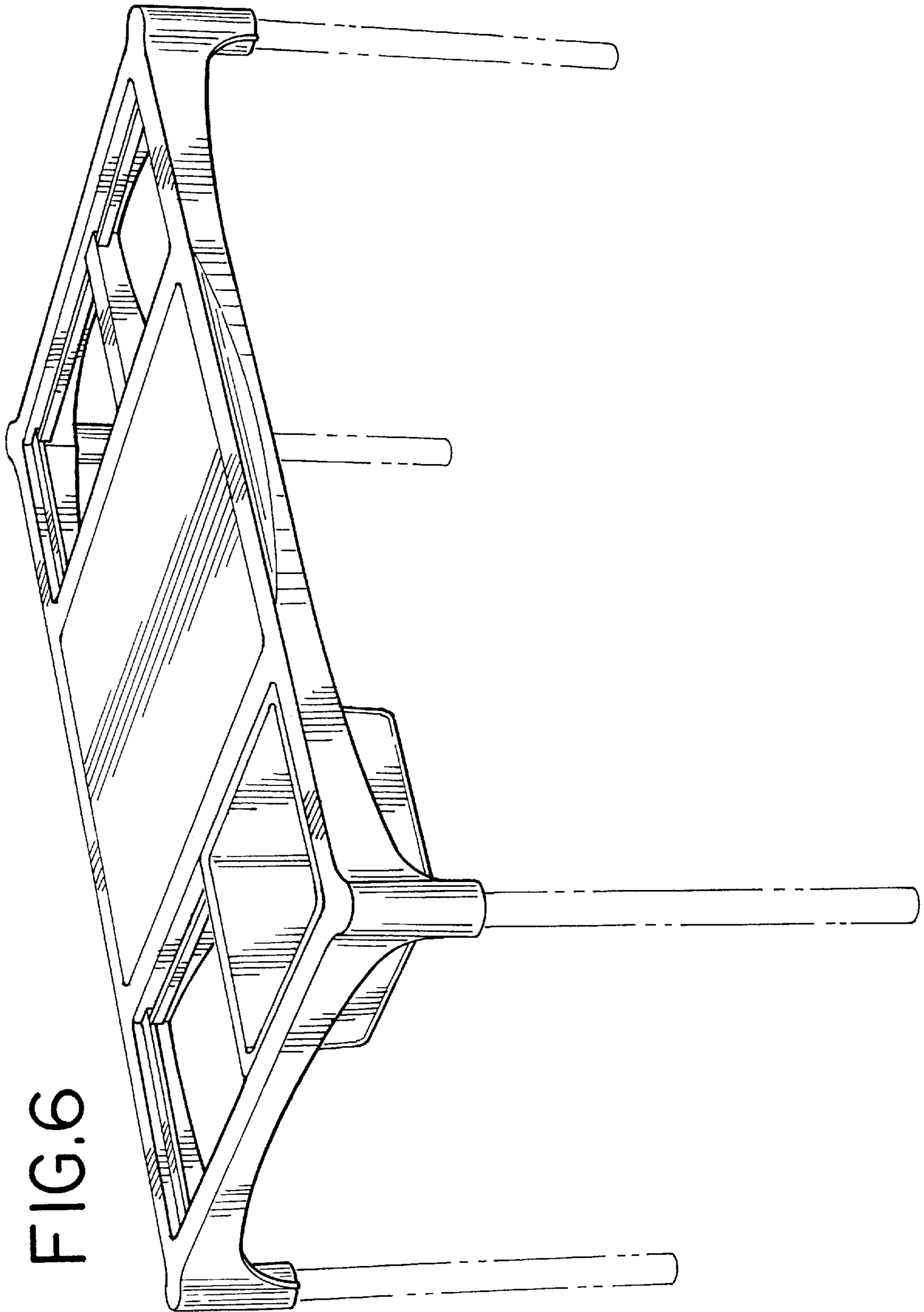


FIG. 6

FIG.7

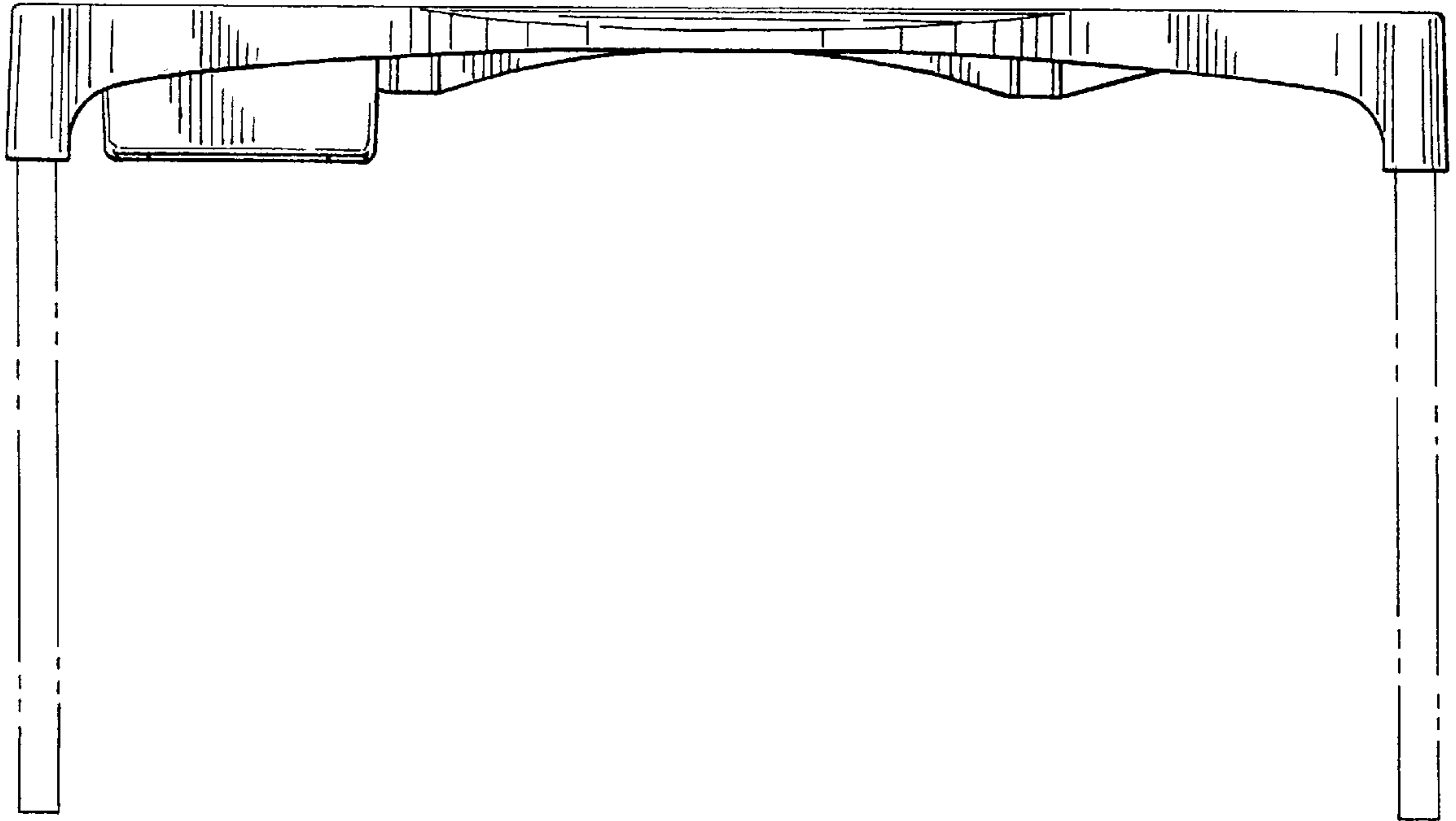


FIG.8

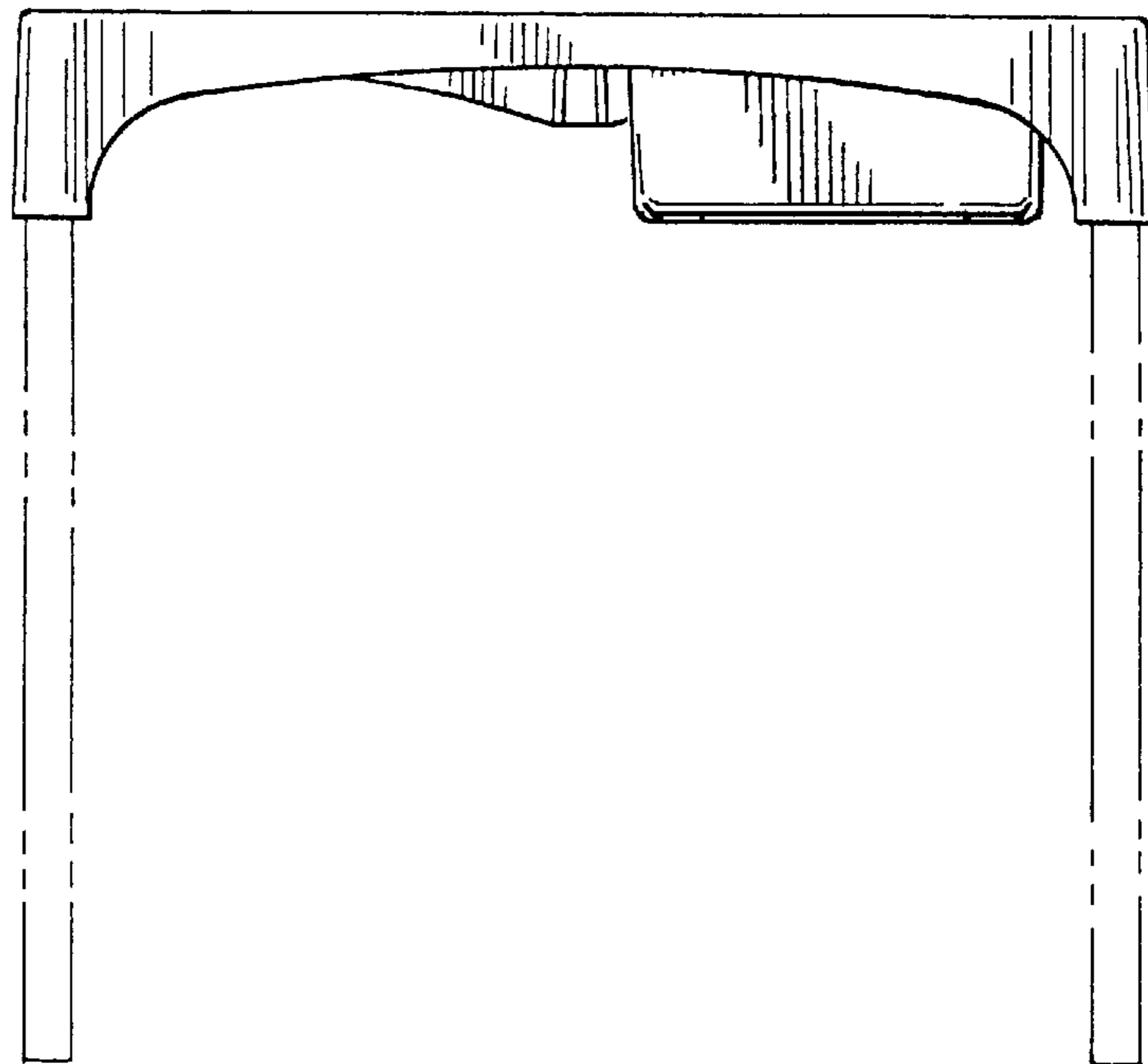


FIG.9

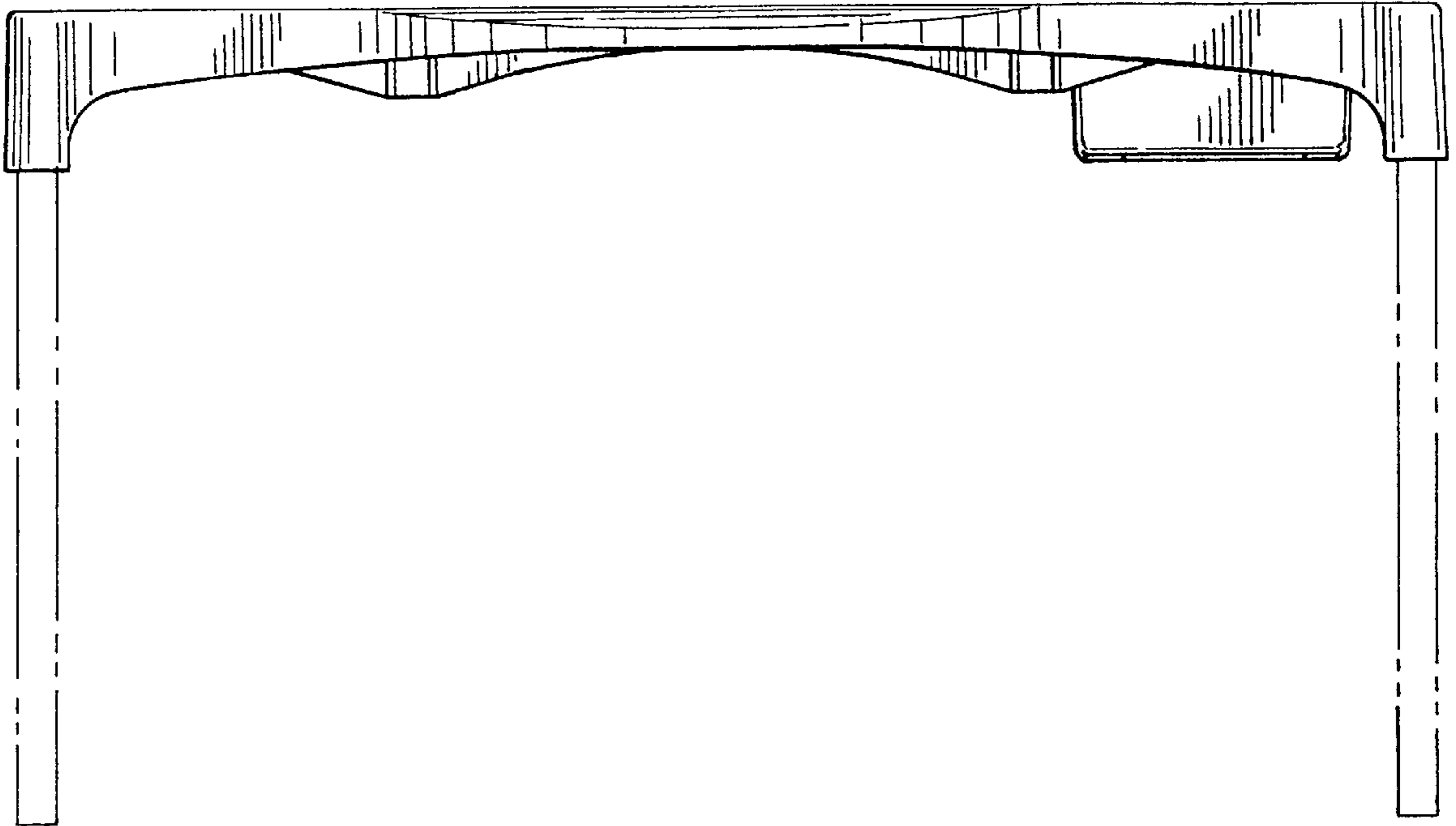


FIG.10

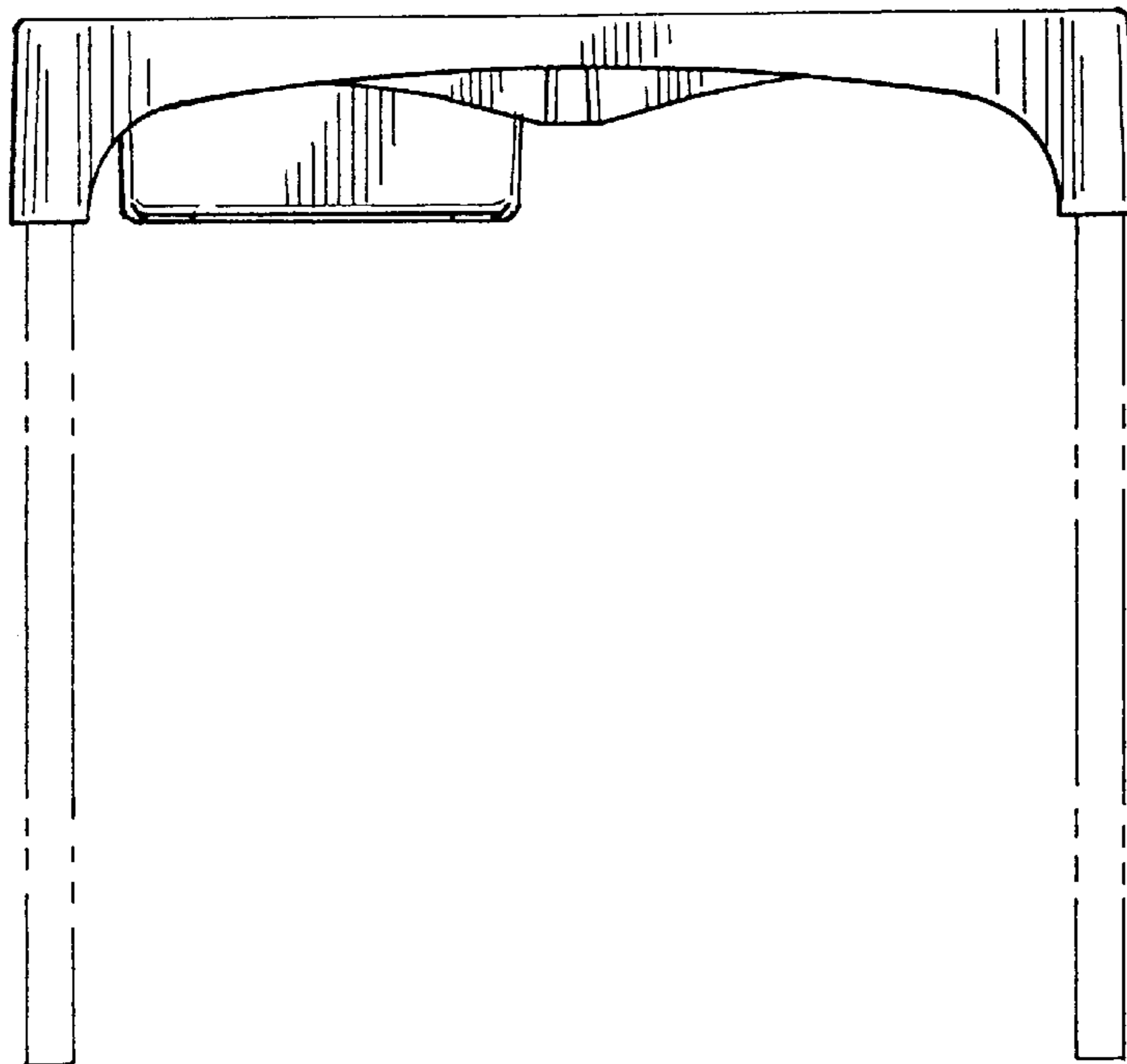


FIG.11

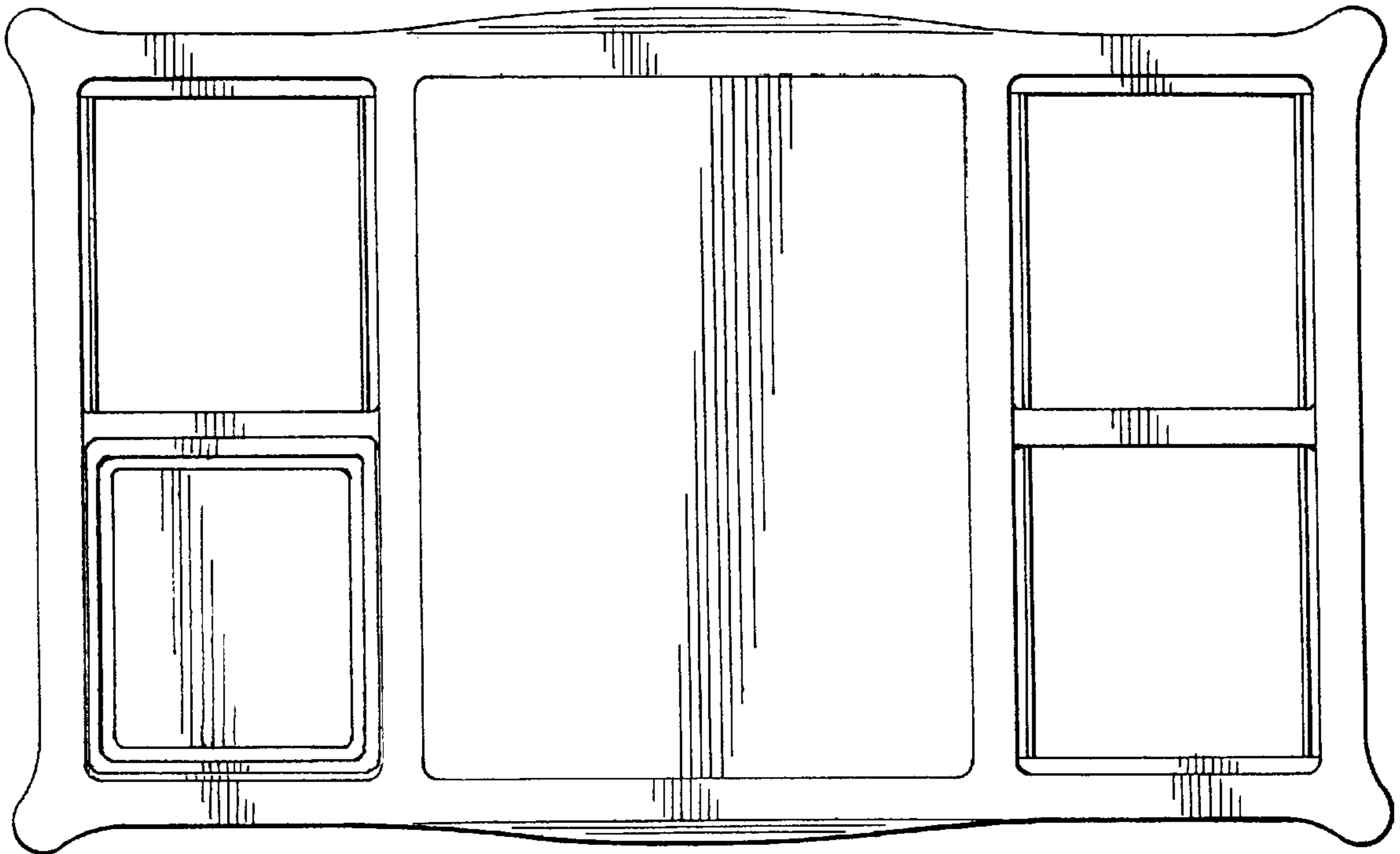
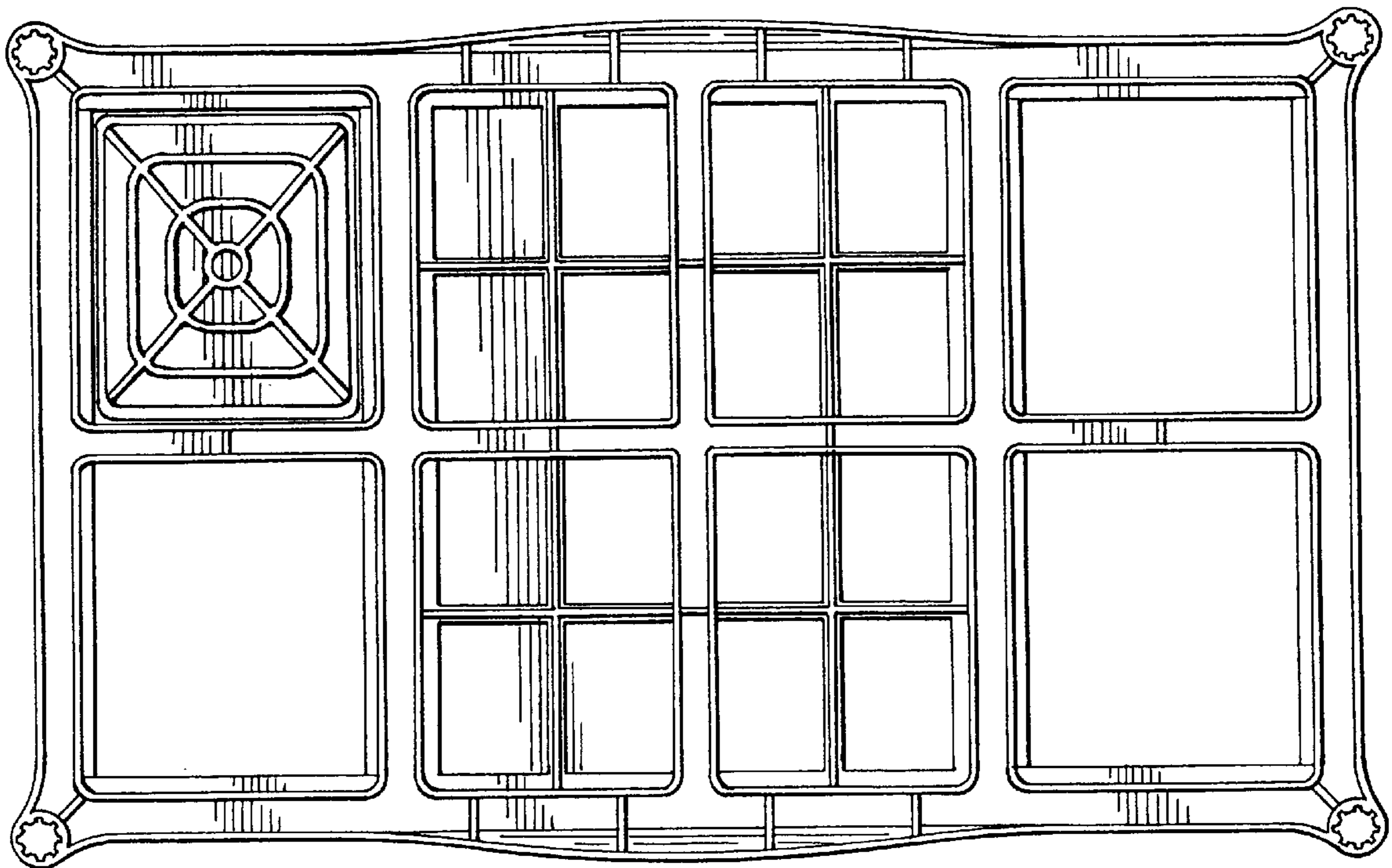


FIG.12



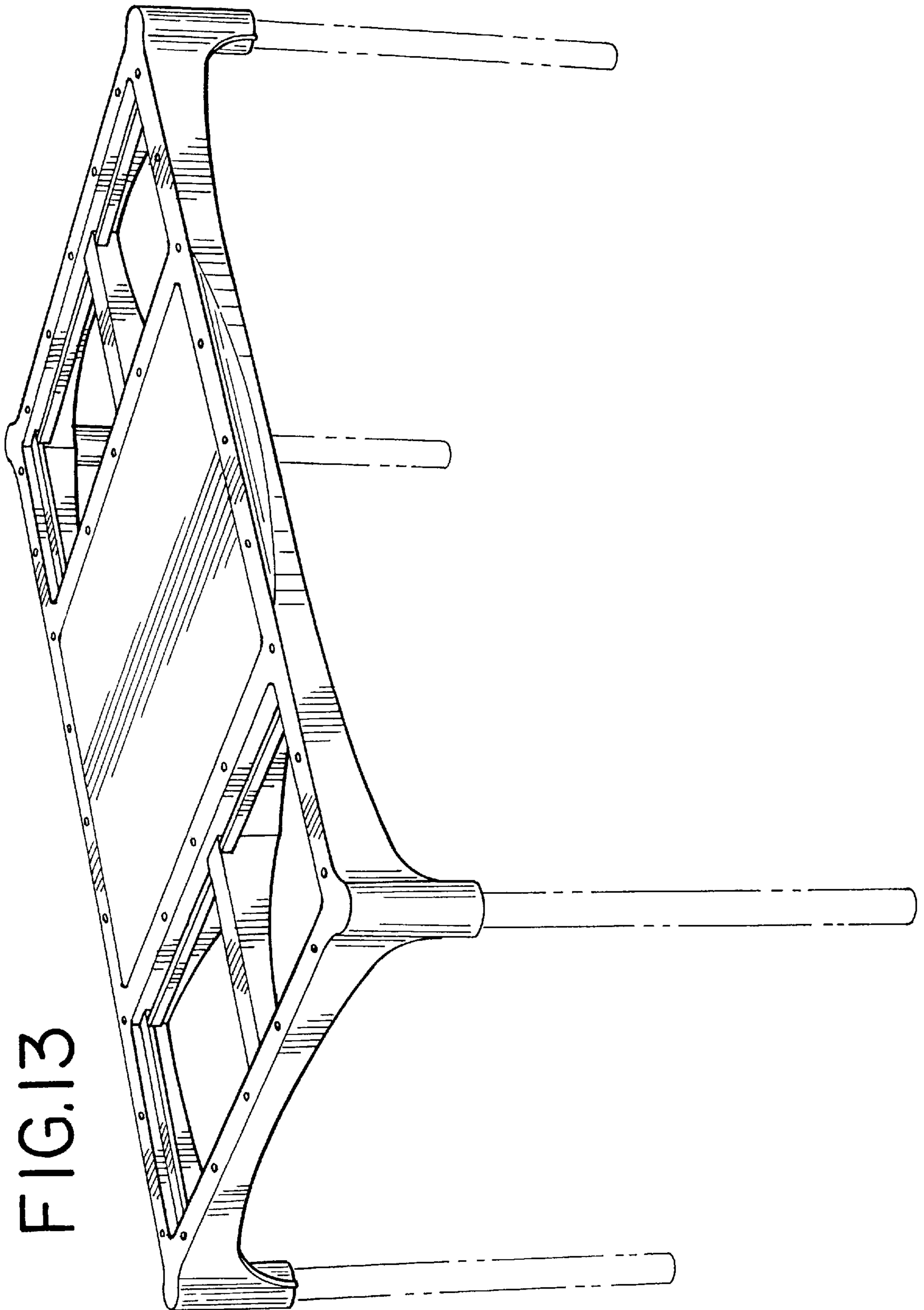


FIG. 13

FIG. 14

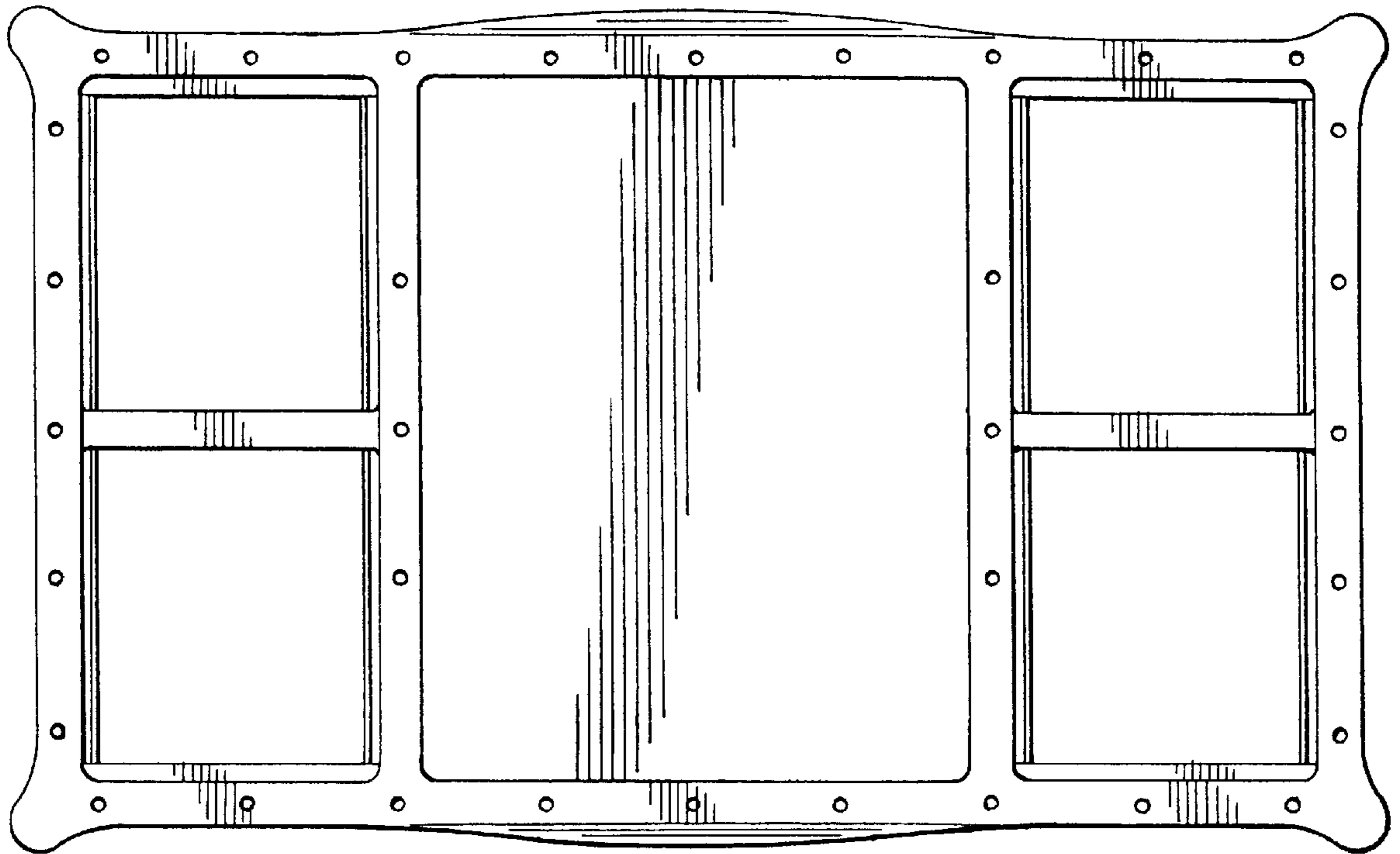


FIG. 15

