



US00D450957B1

(12) **United States Design Patent**  
**Asbjørnsen**

(10) **Patent No.:** **US D450,957 S**

(45) **Date of Patent:** **\*\* Nov. 27, 2001**

(54) **TILTING DEVICE FOR A CHAIR SEAT**

(75) **Inventor:** **Svein Asbjørnsen, Sykkylven (NO)**

(73) **Assignee:** **Svein Asbjørnsen Produktdesign AS, Sykkylven (NO)**

(\*\*) **Term:** **14 Years**

(21) **Appl. No.:** **29/132,588**

(22) **Filed:** **Nov. 10, 2000**

(30) **Foreign Application Priority Data**

May 10, 2000 (DE) ..... 400 04 669

(51) **LOC (7) Cl.** ..... **06-06**

(52) **U.S. Cl.** ..... **D6/500**

(58) **Field of Search** ..... D6/334, 364, 365,  
D6/366, 367, 500, 501, 502; 248/161, 578;  
297/344.18, 344.19, 344.21

(56) **References Cited**

**U.S. PATENT DOCUMENTS**

D. 285,633 \* 9/1986 Doerner ..... D6/500

D. 289,591 \* 5/1987 Groseth ..... D6/500  
D. 290,073 \* 6/1987 Doerner ..... D6/500  
D. 292,459 \* 10/1987 Doerner ..... D6/500

\* cited by examiner

*Primary Examiner*—Gary D. Watson

(74) *Attorney, Agent, or Firm*—Ladas & Parry

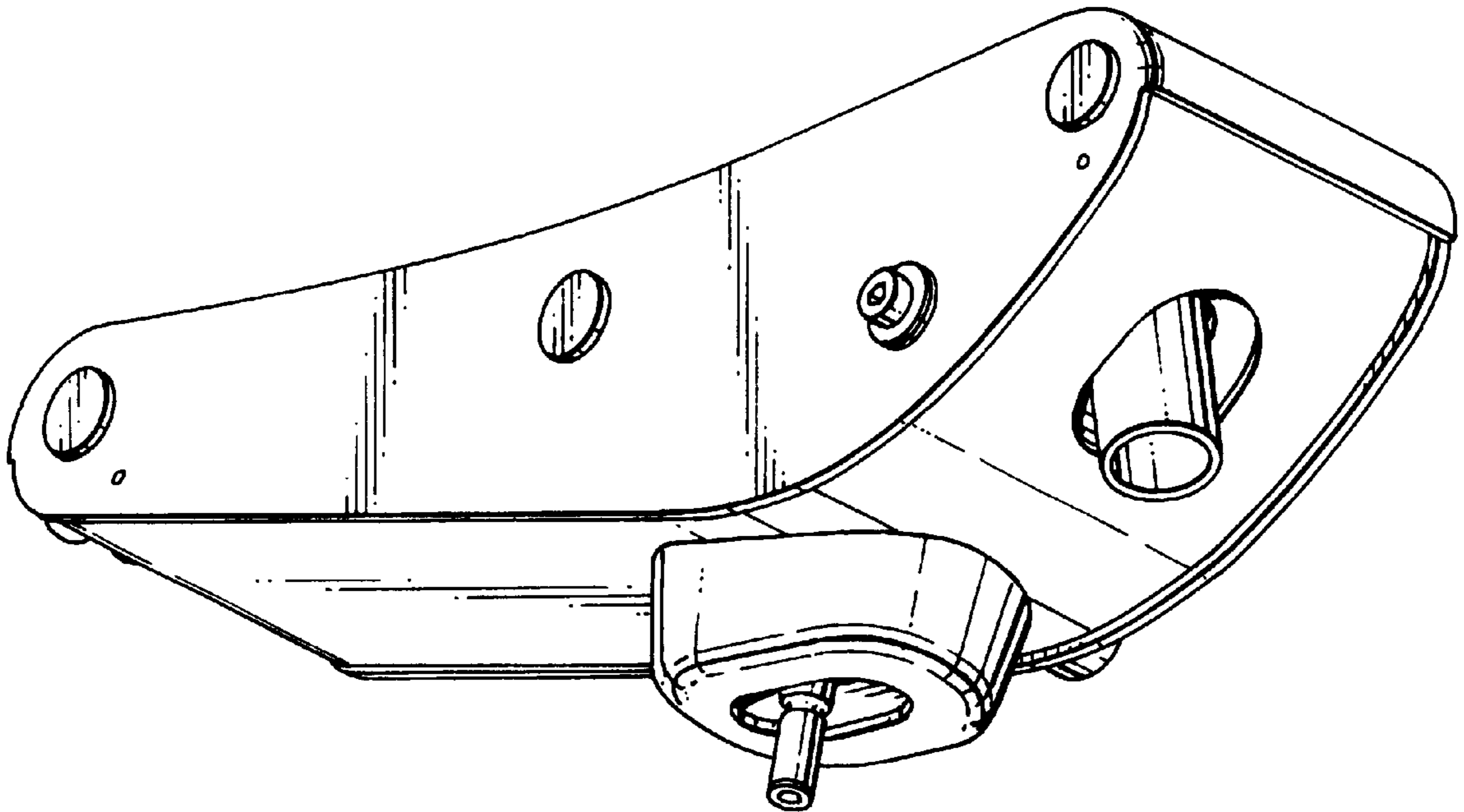
(57) **CLAIM**

The ornamental design for a tilting device for a chair seat, as shown and described.

**DESCRIPTION**

FIG. 1 is a front perspective view from below and left side of a tilting device for a chair seat,  
FIG. 2 is a front perspective view from above and right side of the tilting device shown in FIG. 1,  
FIG. 3 is a left side view of the tilting device,  
FIG. 4 is a right side view of the tilting device,  
FIG. 5 is a front view of the tilting device,  
FIG. 6 is a rear view of the tilting device,  
FIG. 7 is a plan view from above of the tilting device; and,  
FIG. 8 is an underneath plan view of the tilting device.

**1 Claim, 4 Drawing Sheets**



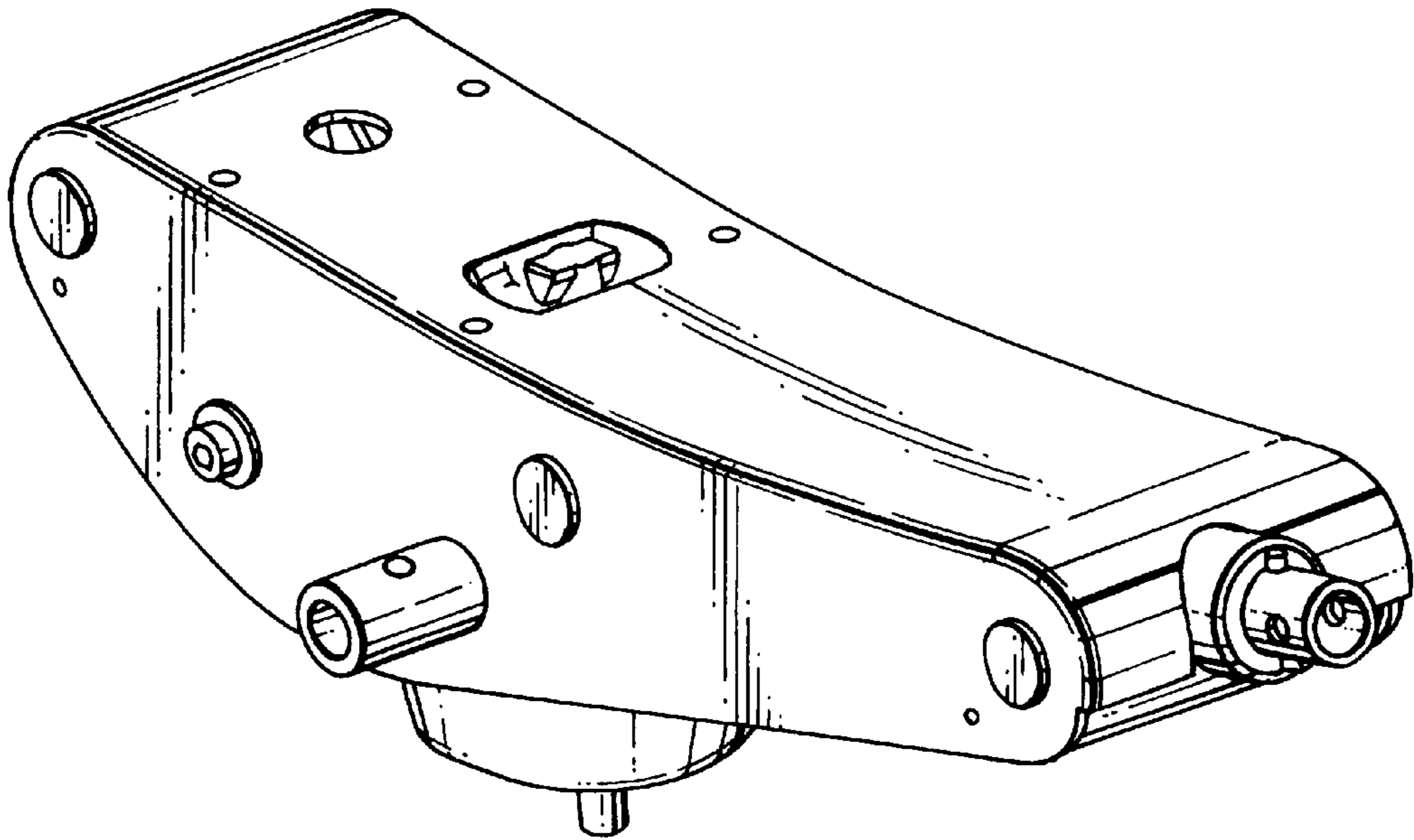


Fig. 1.

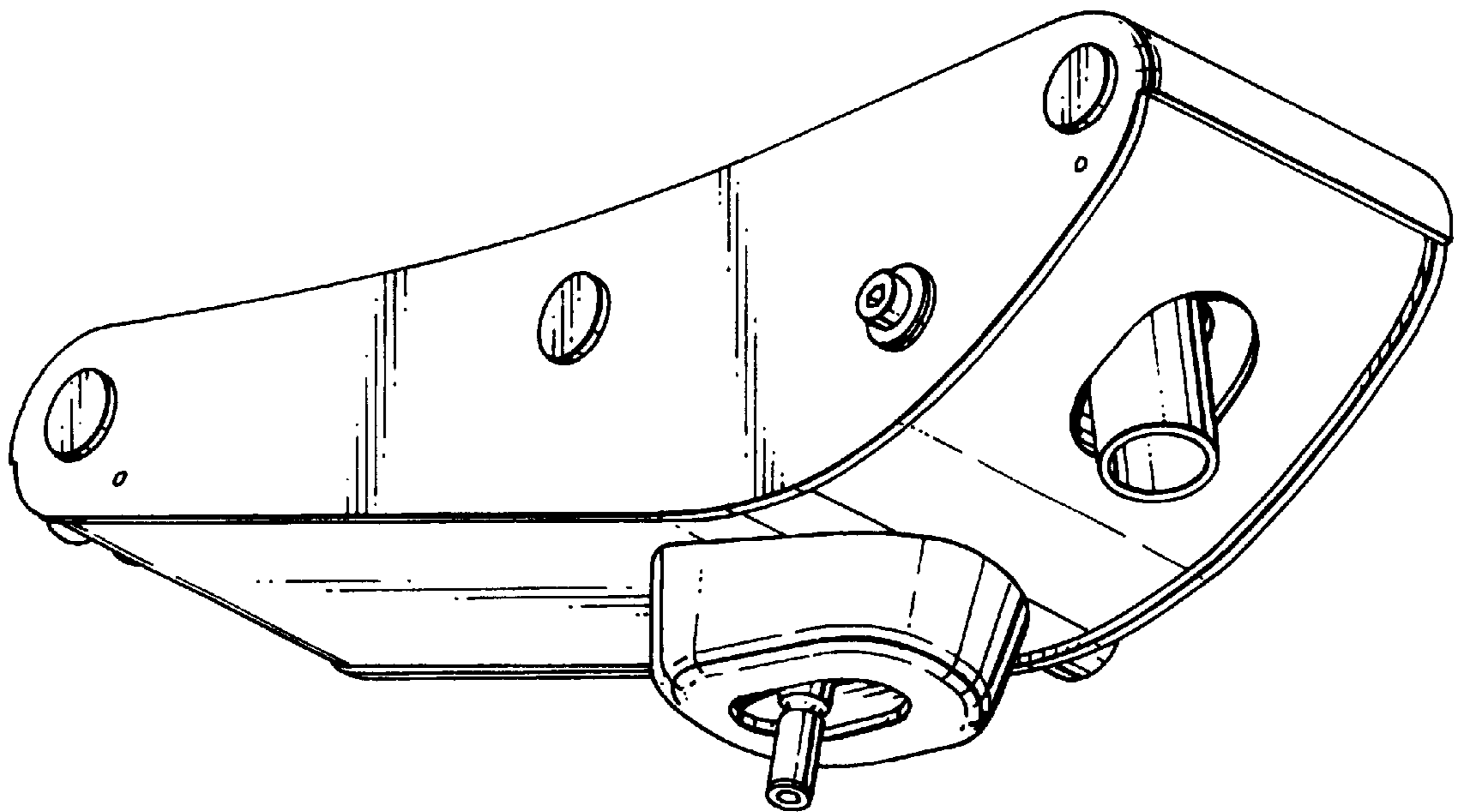


Fig. 2.

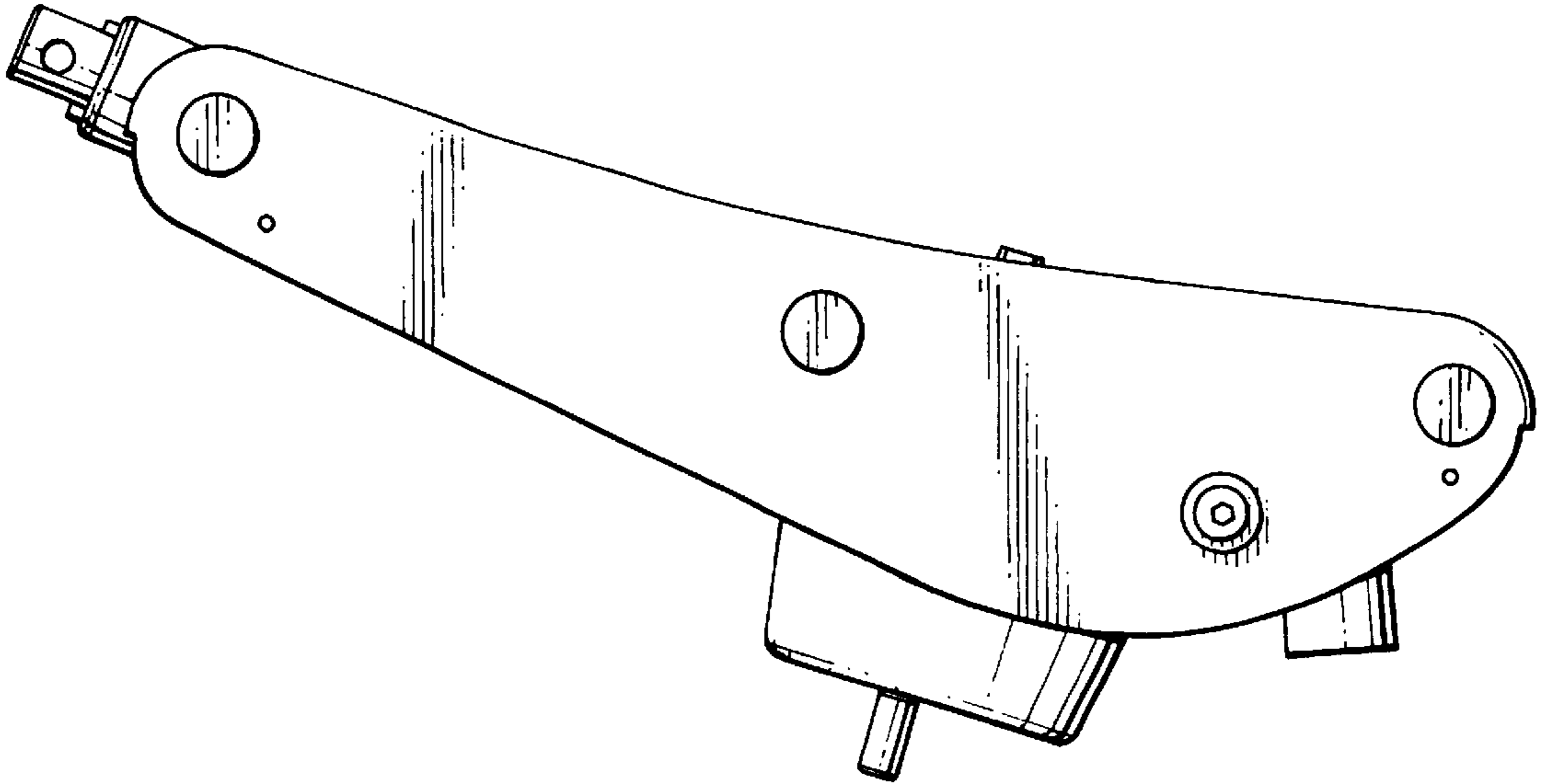


Fig.3.

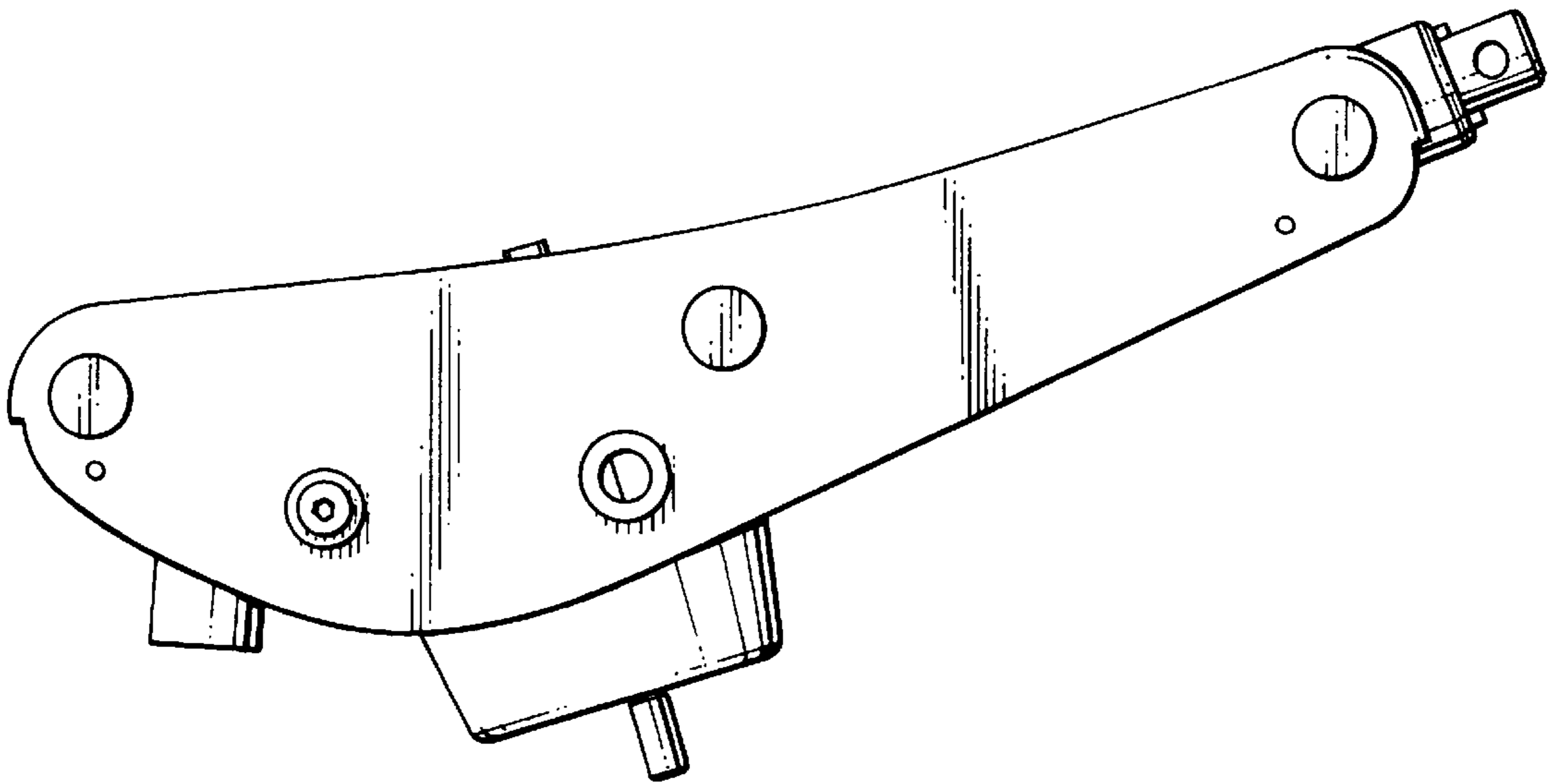


Fig.4.

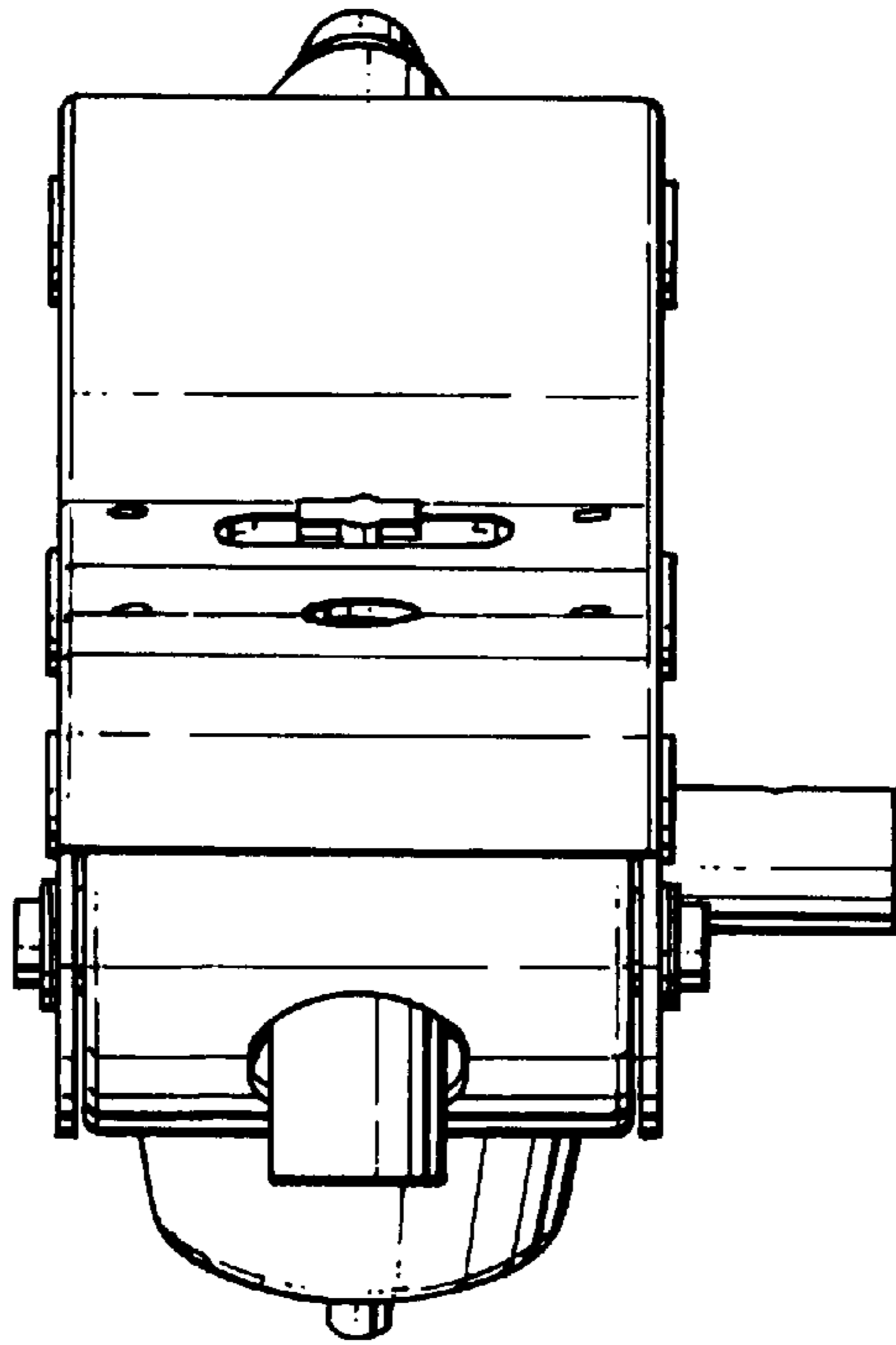


Fig.5.

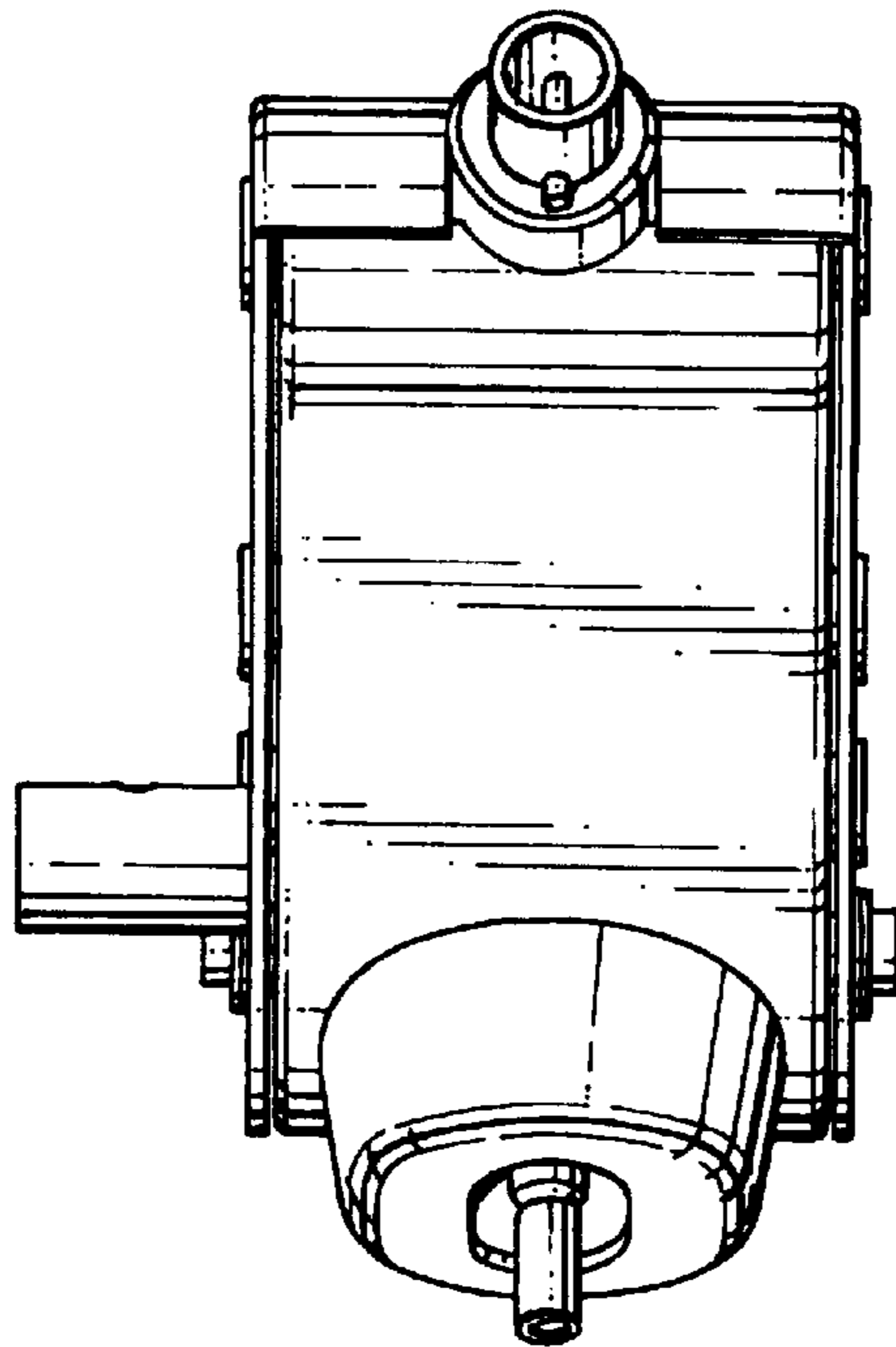


Fig.6.

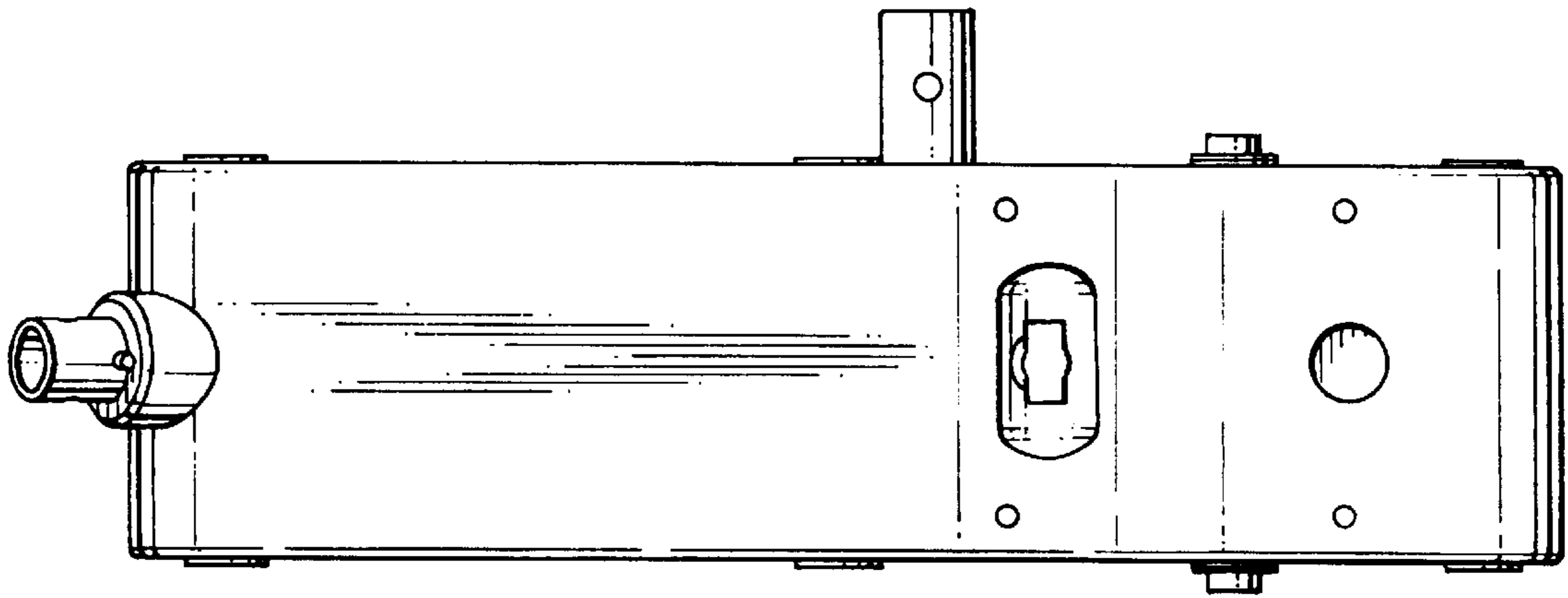


Fig.7.

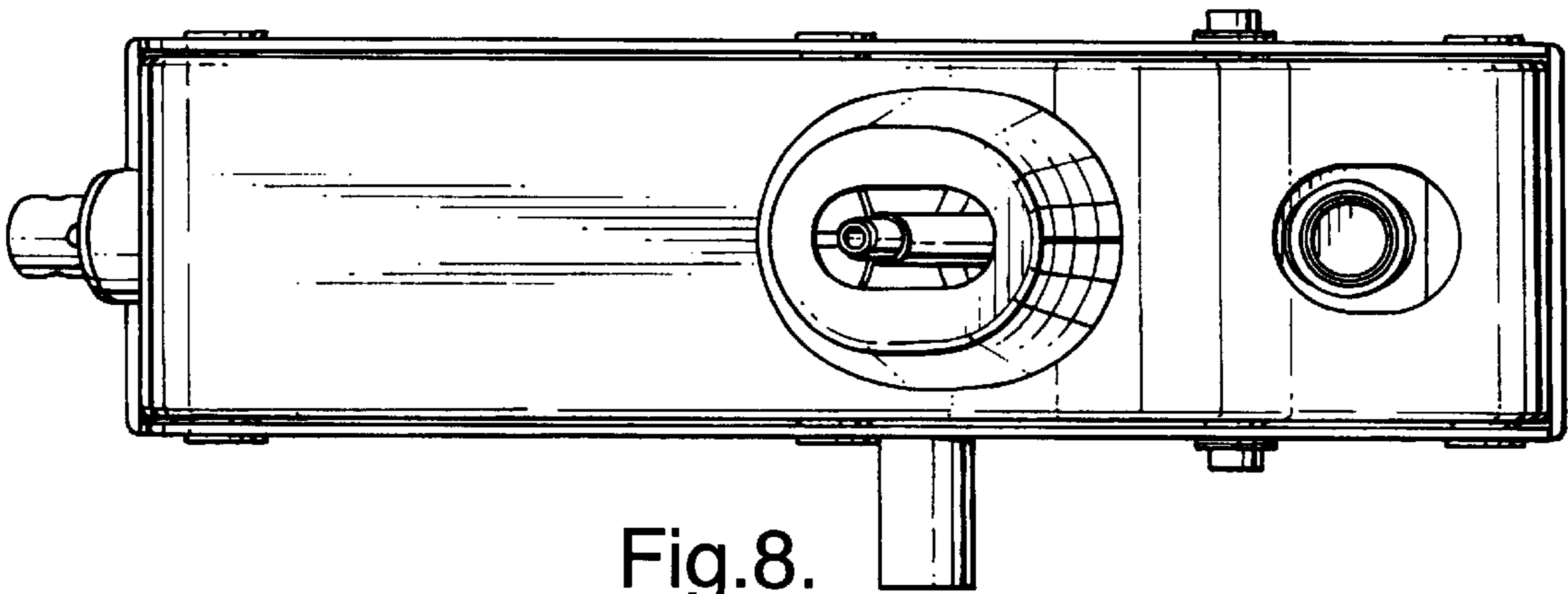


Fig.8.