



US00D450956B1

(12) **United States Design Patent**
Asbjørnsen

(10) **Patent No.:** **US D450,956 S**

(45) **Date of Patent:** **** Nov. 27, 2001**

(54) **TILTING DEVICE FOR A CHAIR SEAT**

D. 289,591 * 5/1987 Groseth D6/500
D. 292,459 * 10/1987 Doerner D6/500

(75) Inventor: **Svein Asbjørnsen**, Sykkylven (NO)

* cited by examiner

(73) Assignee: **Svein Asbjørnsen Produktdesign AS**,
Sykkylven (NO)

Primary Examiner—Gary D. Watson
(74) *Attorney, Agent, or Firm*—Ladas & Parry

(**) Term: **14 Years**

(57) **CLAIM**

(21) Appl. No.: **29/132,558**

The ornamental design for a tilting device for a chair seat,
as shown and described.

(22) Filed: **Nov. 10, 2000**

(30) **Foreign Application Priority Data**

DESCRIPTION

May 10, 2000 (DE) 400 04 669

FIG. 1 is a front perspective view from below and left side
of a tilting device for a chair seat,
FIG. 2 is a front perspective view from above and right side
of the tilting device shown in FIG. 1,
FIG. 3 is a left side view of the tilting device,
FIG. 4 is a right side view of the tilting device,
FIG. 5 is a front view of the tilting device,
FIG. 6 is a rear view of the tilting device,
FIG. 7 is a plan view from above of the tilting device; and,
FIG. 8 is an underneath plan view of the tilting device.

(51) **LOC (7) Cl.** **06-06**

(52) **U.S. Cl.** **D6/500**

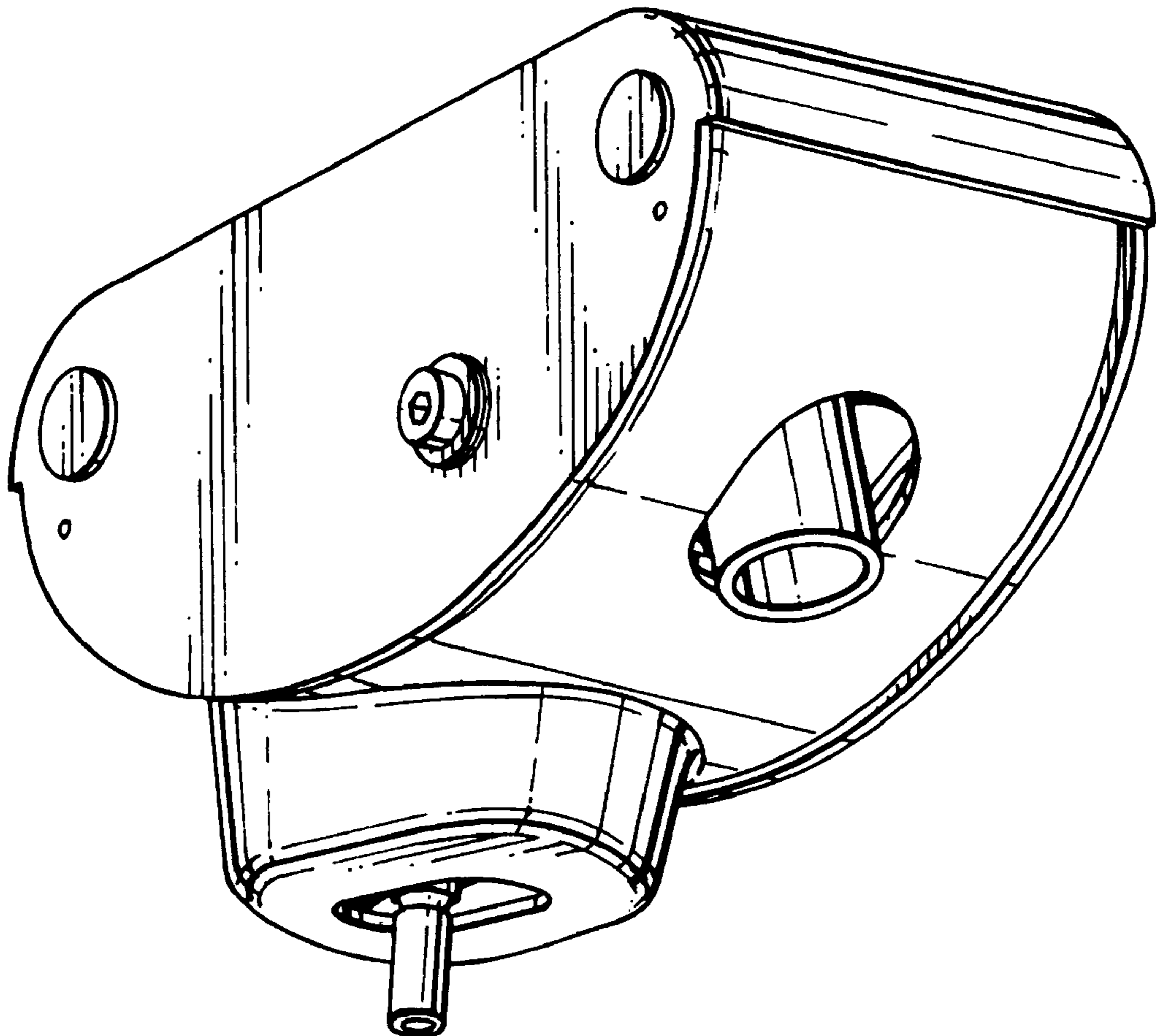
(58) **Field of Search** D6/334, 364, 365,
D6/366, 367, 500, 501, 502; 248/161, 578;
297/344.18, 344.19, 344.21

(56) **References Cited**

U.S. PATENT DOCUMENTS

D. 285,633 * 9/1986 Doerner D6/500

1 Claim, 3 Drawing Sheets



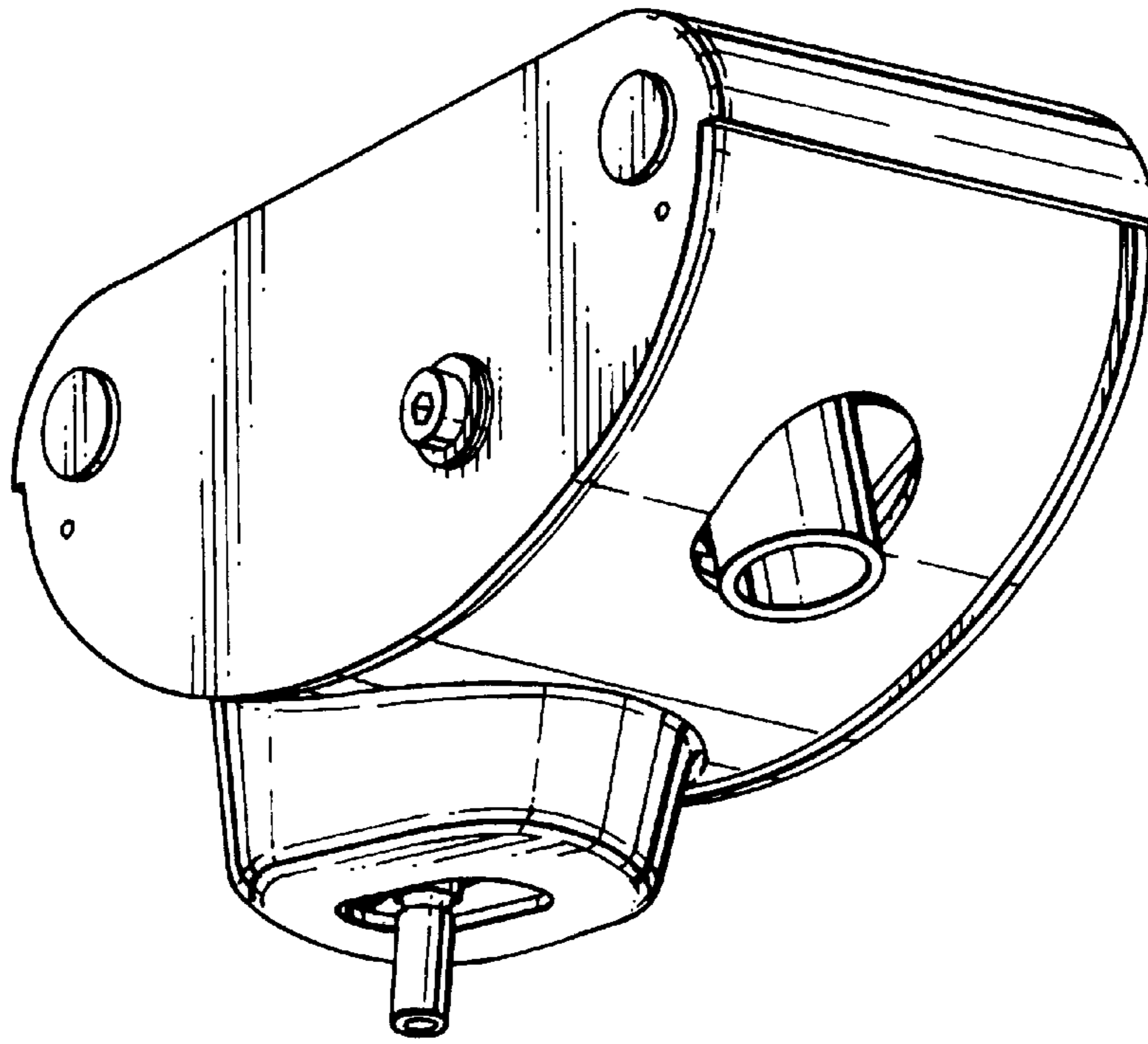


Fig. 1.

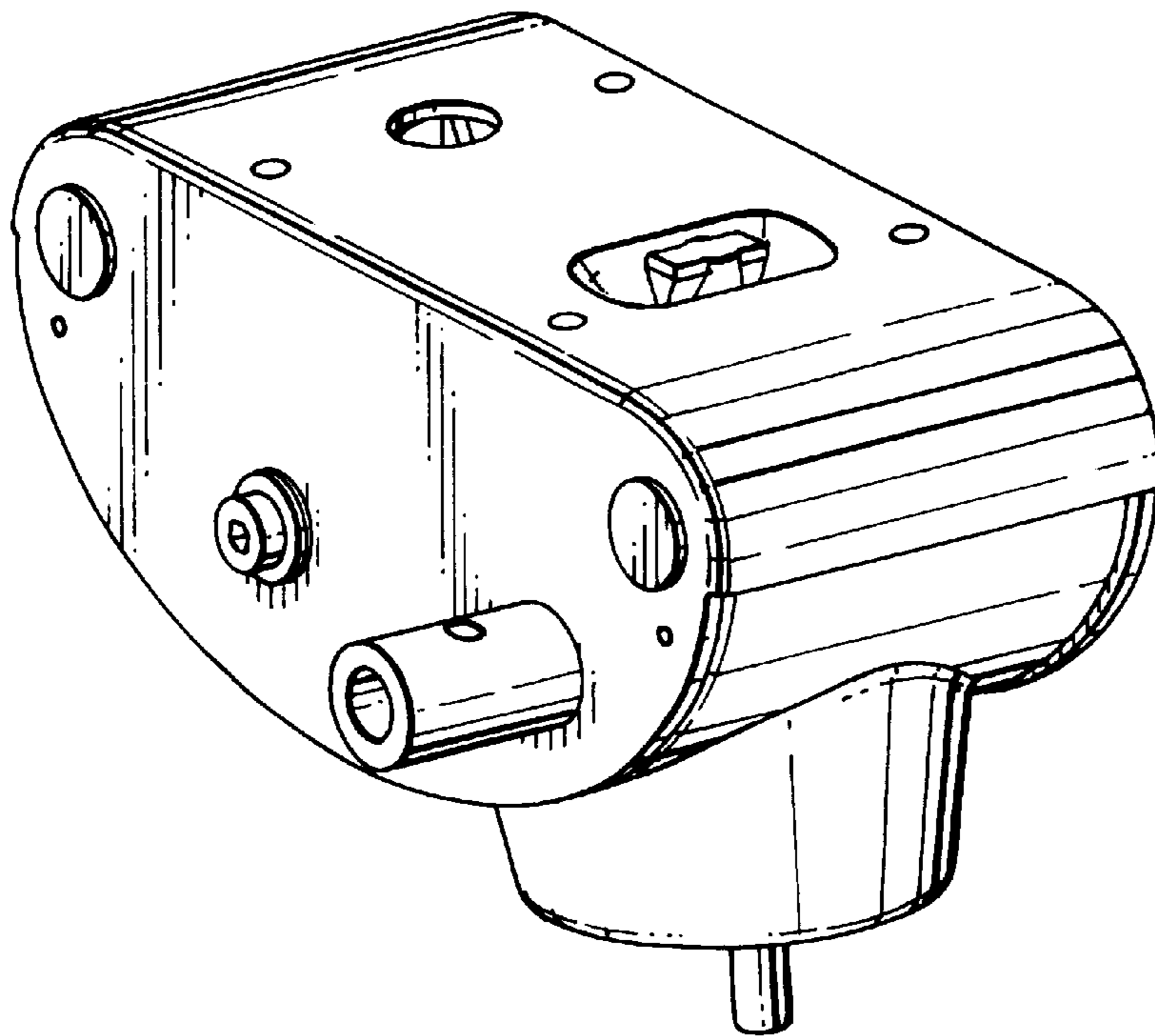


Fig. 2.

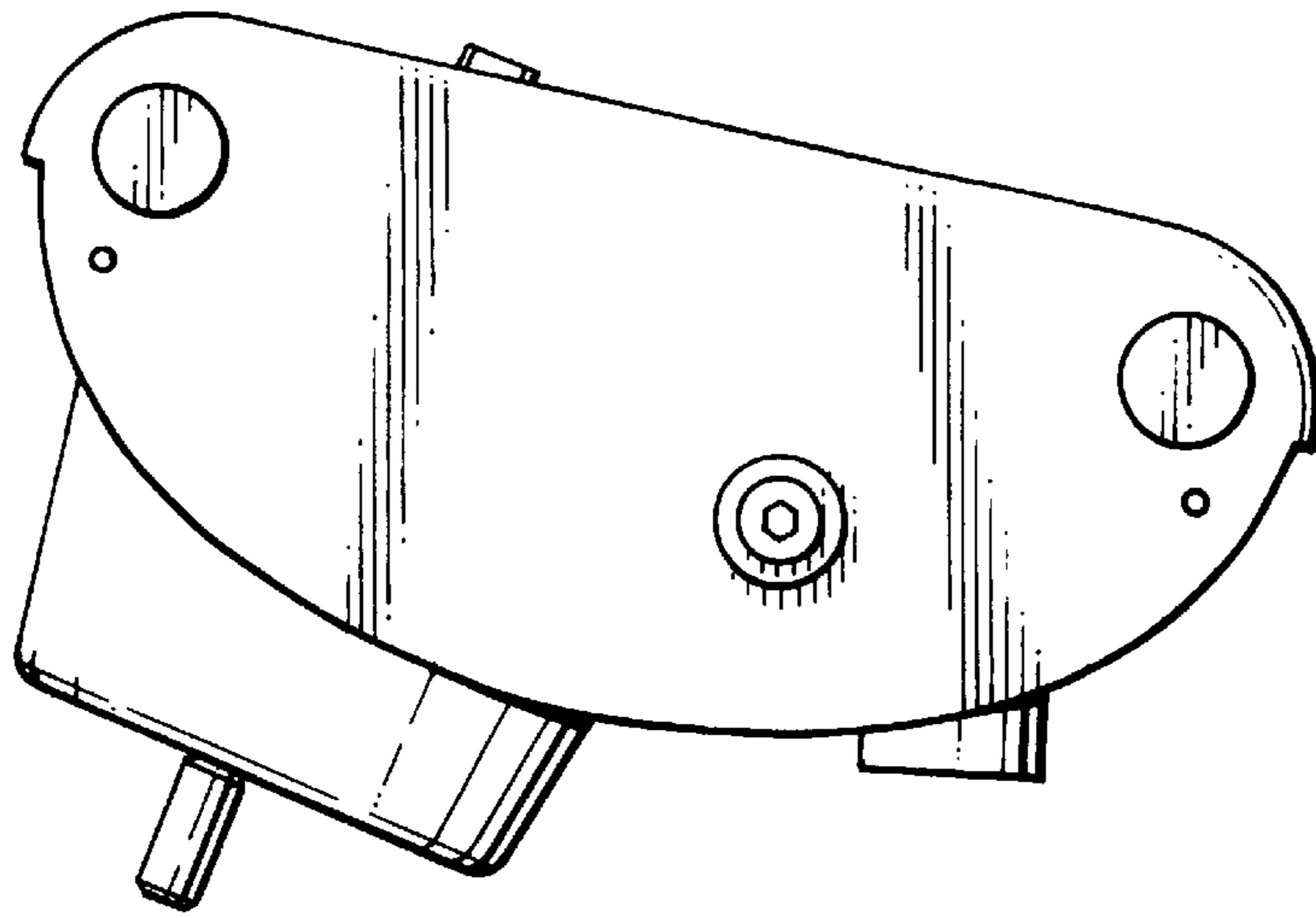


Fig.3.

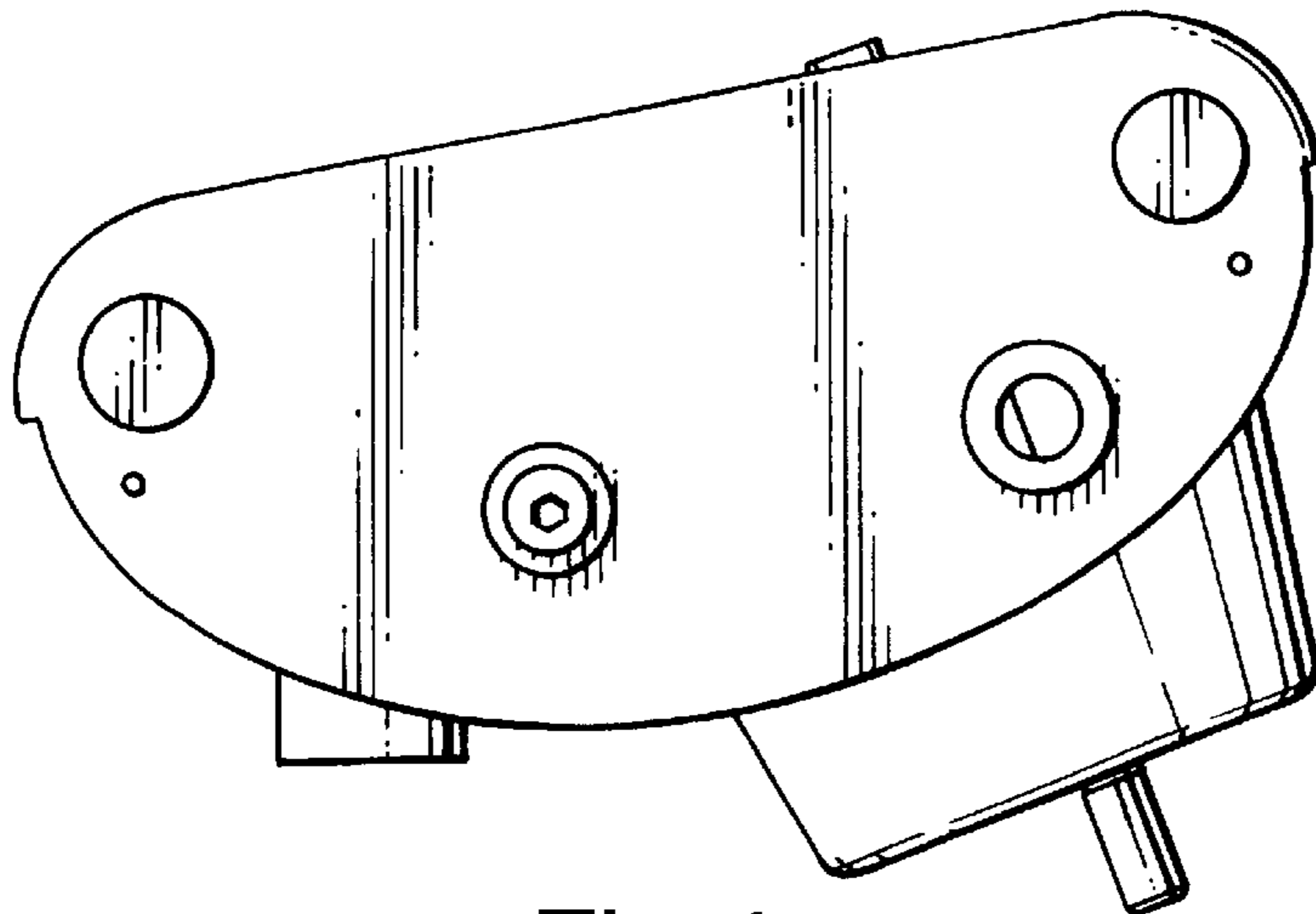


Fig.4.

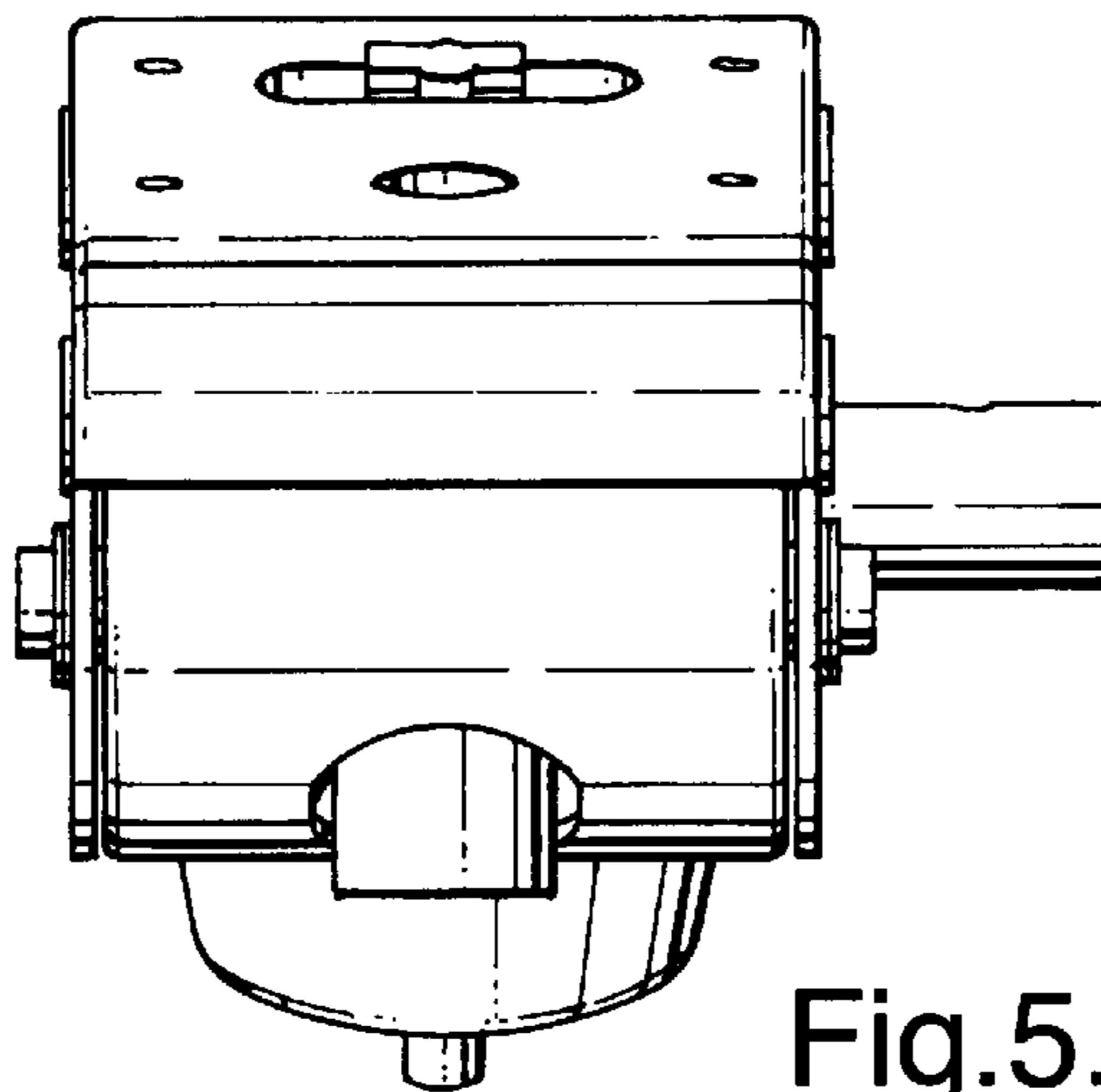


Fig.5.

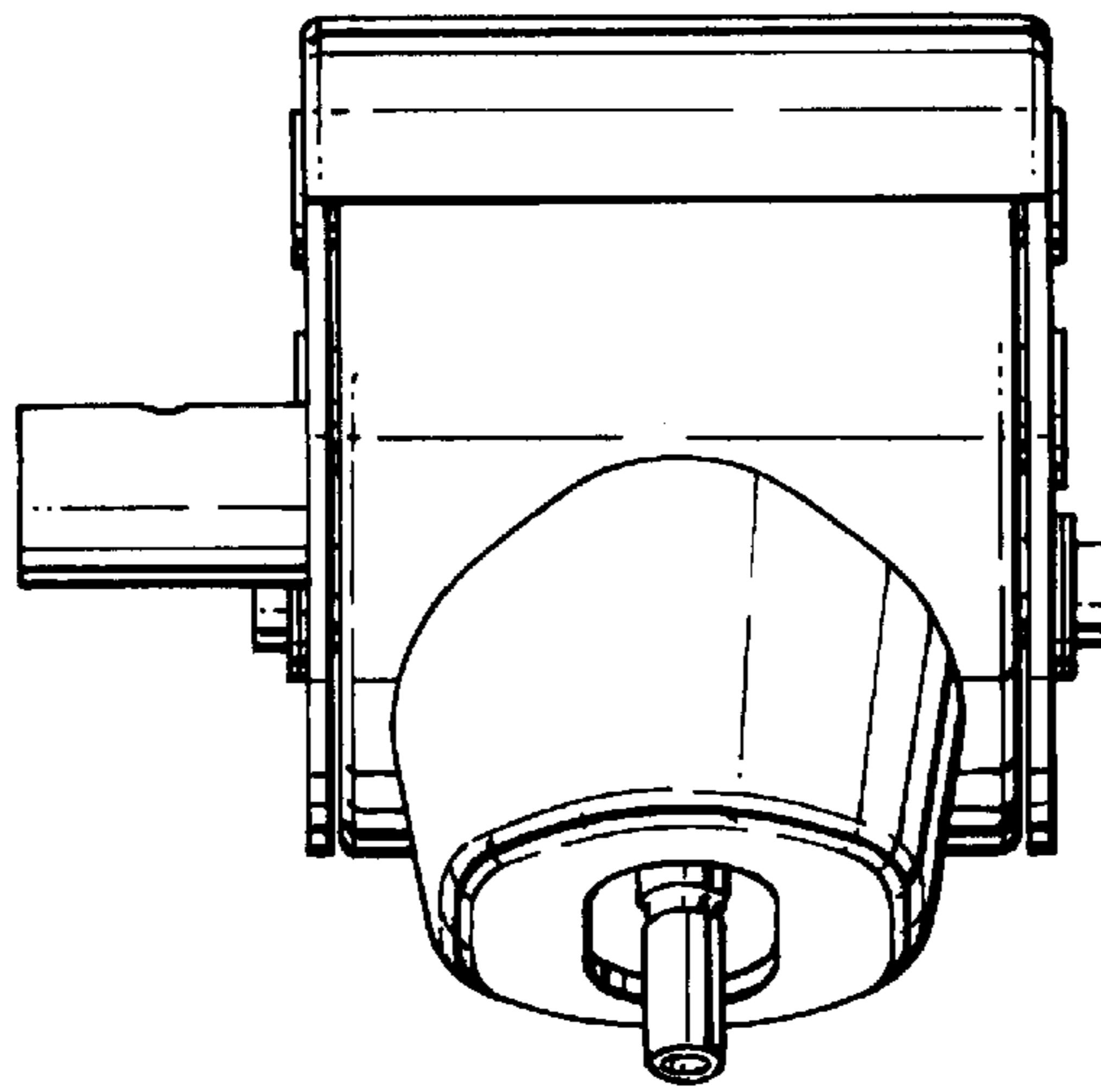


Fig.6.

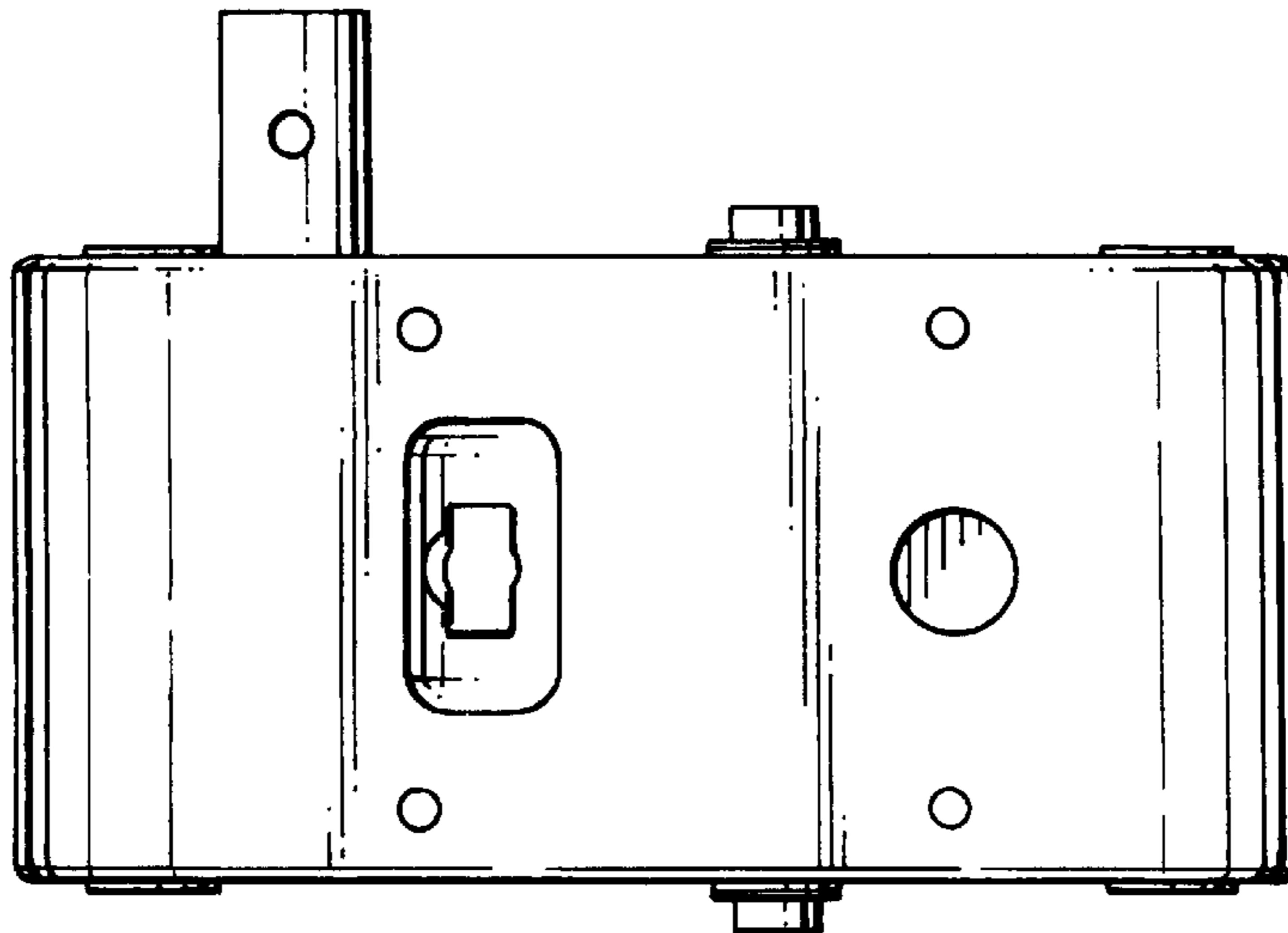


Fig.7.

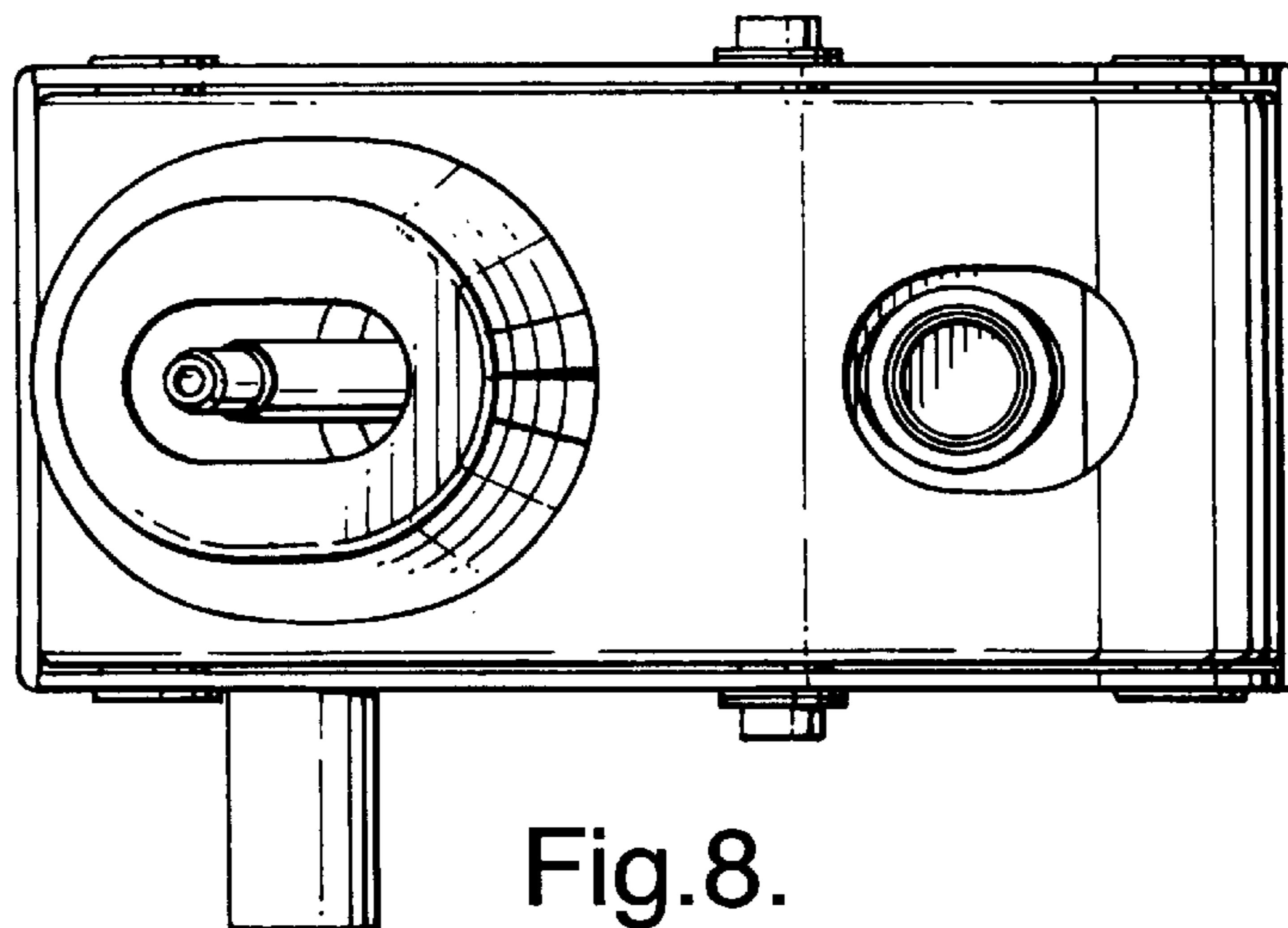


Fig.8.