



US00D450954B2

(12) **United States Design Patent** (10) **Patent No.:** **US D450,954 S**  
**Scheper et al.** (45) **Date of Patent:** **\*\* Nov. 27, 2001**

(54) **CHAIR**

(75) Inventors: **Robert M. Scheper; William R. Easton**, both of Greensboro; **Barry E. Vitale**, Kernersville, all of NC (US)

(73) Assignee: **Steelcase Development Inc.**, Caledonia, MI (US)

(\*\*) Term: **14 Years**

(21) Appl. No.: **29/123,277**

(22) Filed: **May 15, 2000**

(51) **LOC (7) Cl.** ..... **06-06**

(52) **U.S. Cl.** ..... **D6/500; D6/366**

(58) **Field of Search** ..... D6/334, 335, 364,  
D6/365, 366, 367, 369, 374, 375, 500,  
501, 502; 297/411.2

(56) **References Cited**

**U.S. PATENT DOCUMENTS**

D. 273,350	*	4/1984	Cafiero	.....	D6/366
D. 273,639	*	5/1984	Cafiero	.....	D6/366
D. 327,782	*	7/1992	Citterio	.....	D6/366
D. 330,809	*	11/1992	Citterio	.....	D6/366
D. 332,182	*	1/1993	Citterio	.....	D6/366
D. 333,925		3/1993	Ricchio, Jr. et al.	.....	D6/370
D. 341,494		11/1993	Ohashi et al.	.....	D6/370
D. 358,041		5/1995	Watts	.....	D6/379
D. 363,823		11/1995	Ricchio, Jr.	.....	D6/334
D. 366,774		2/1996	Frinier	.....	D6/370
D. 376,273		12/1996	Keller	.....	D6/380
D. 386,912		12/1997	Diaz-Azcuy	.....	D6/380
D. 390,712	*	2/1998	Koepke et al.	.....	D6/366
D. 399,667		10/1998	Muller	.....	D6/370
D. 410,799	*	6/1999	Meda	.....	D6/366
D. 423,259		4/2000	Grove	.....	D6/500

**OTHER PUBLICATIONS**

Grayton International, l'attitude lounge chair, pp. 11 and 17.\*

Shaker Workshops Online Catalog, No. 5 Armless Rocker, available at <http://www.shakerworkshops.com/f102.htm>, bearing a designation of "the 1876 Centennial Exhibition" (2 sheets), undated.

Advertisement for Dauphin Aspetta chair, p. 37, bearing a designation of "May-June" (1 color Sheet), undated.

Promotional brochure for WEBB™ chair series by Davis Furniture Industries, Inc., bearing a designation of "© 1997 Davis Furniture Industries, Inc." (12 color Sheets).

Promotion brochure for "Circo" and "Mato" chairs by COR, undated (6 Sheets).

Promotional brochure for the "aalto furniture collection" by ICF, undated (25 color Sheets).

Promotional material for "Colligeville Armless Chairs", by Geiger Brickel, undated, (2 color Sheets).

Promotional material for "Freyer Chairs", by Geiger International, undated, (2 color Sheets).

Promotional material for "Woven Chair Woven Wood", by Geiger Brickel, undated, (2 color Sheets).

Shelby Williams Furniture Group, #664EOF, in Madison Furniture Industr., bearing a designation of "Oct. 1985" (1 Sheet).

\* cited by examiner

*Primary Examiner*—Gary D. Watson

(74) *Attorney, Agent, or Firm*—Foley & Lardner

(57) **CLAIM**

The ornamental design for a chair, as shown and described.

**DESCRIPTION**

FIG. 1 is a perspective view of a chair.

FIG. 2 is a front elevation view of the chair.

FIG. 3 is a right side elevation view of the chair.

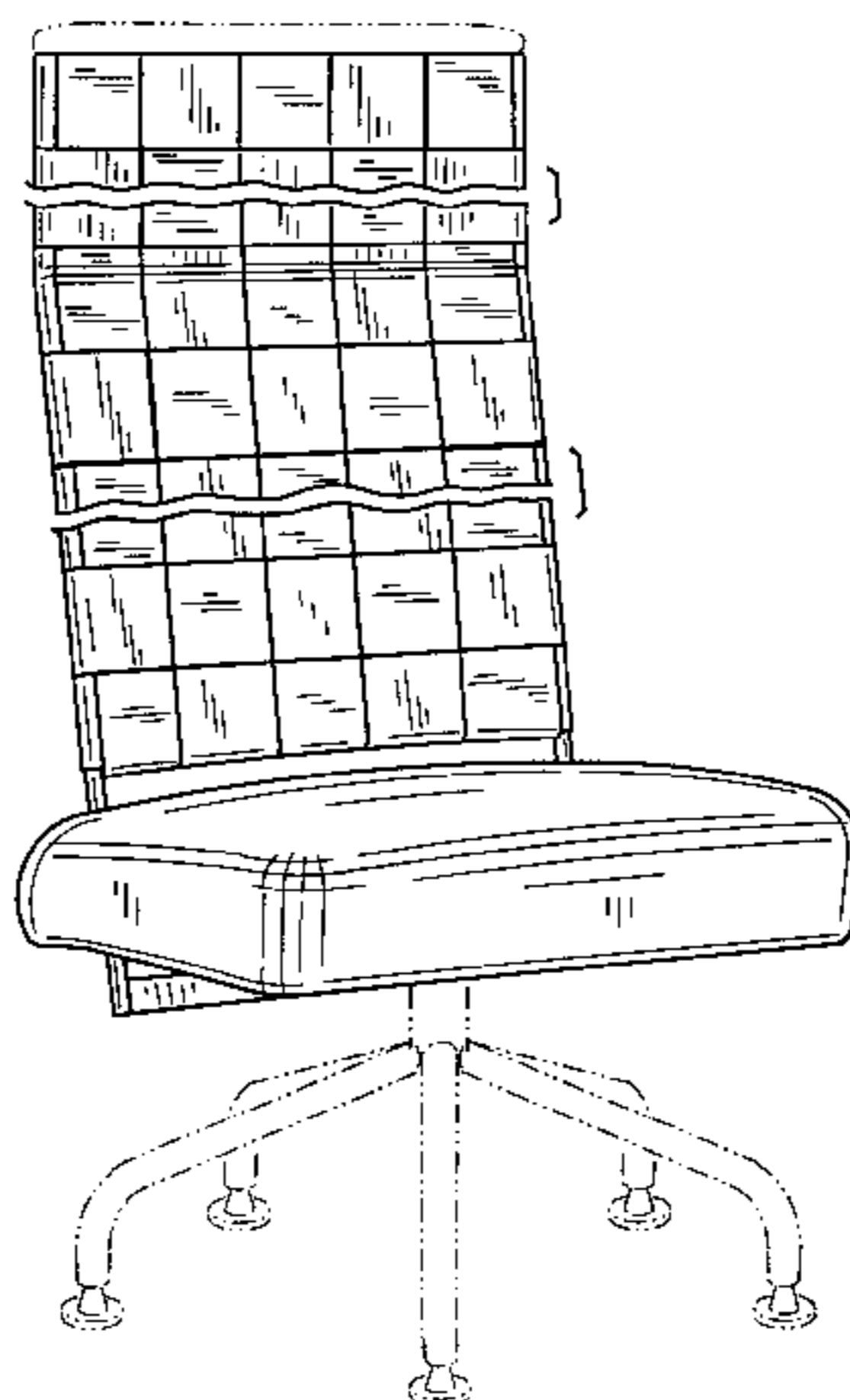
FIG. 4 is a rear elevation view of the chair.

FIG. 5 is a left side elevation view of the chair; and,

FIG. 6 is a top plan view of the chair.

The broken line disclosure is for illustrative purposes only and forms no part of the claimed design. The disclosure associated with brackets is shown to indicate indeterminate length of the chair.

**1 Claim, 3 Drawing Sheets**



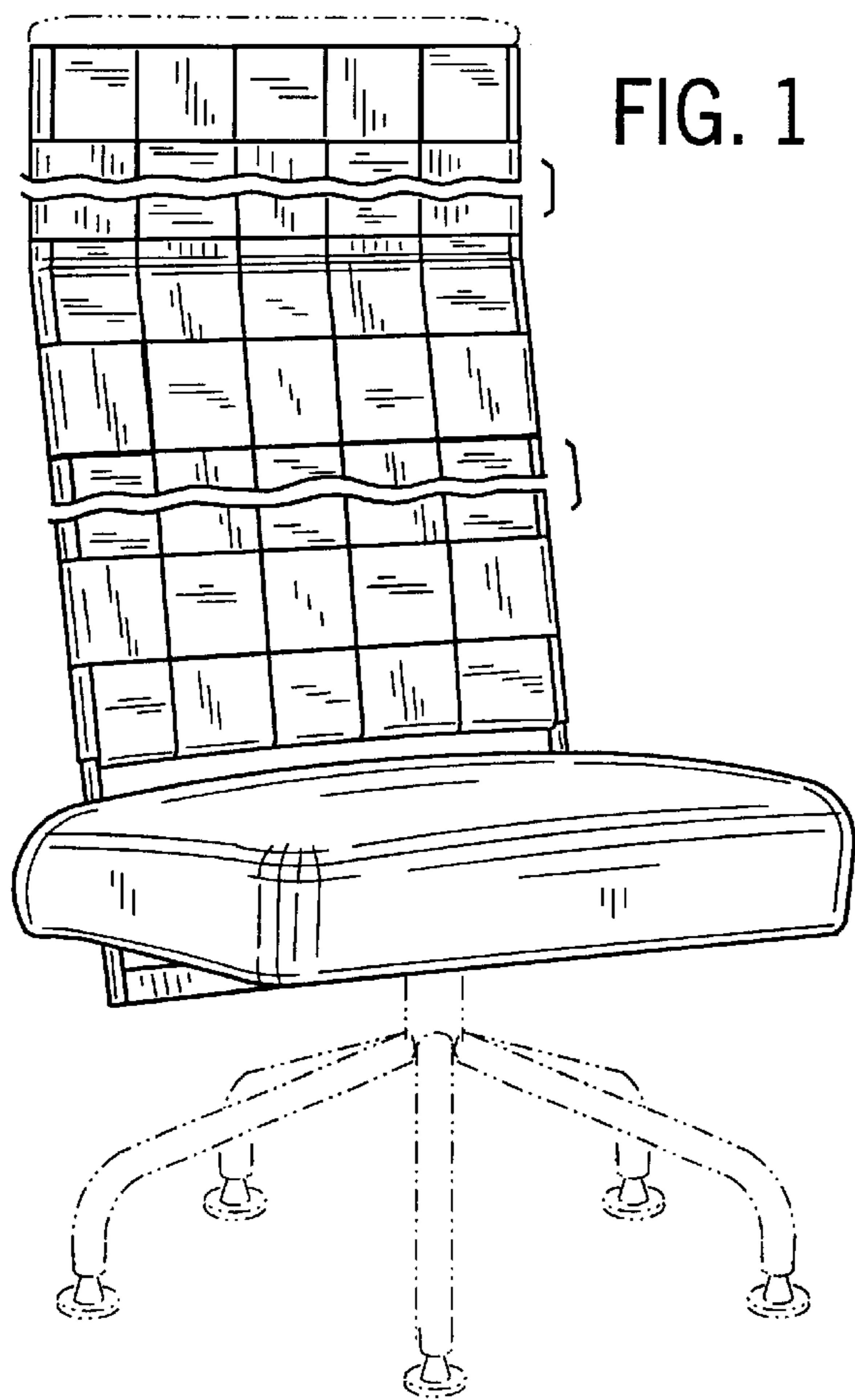


FIG. 1

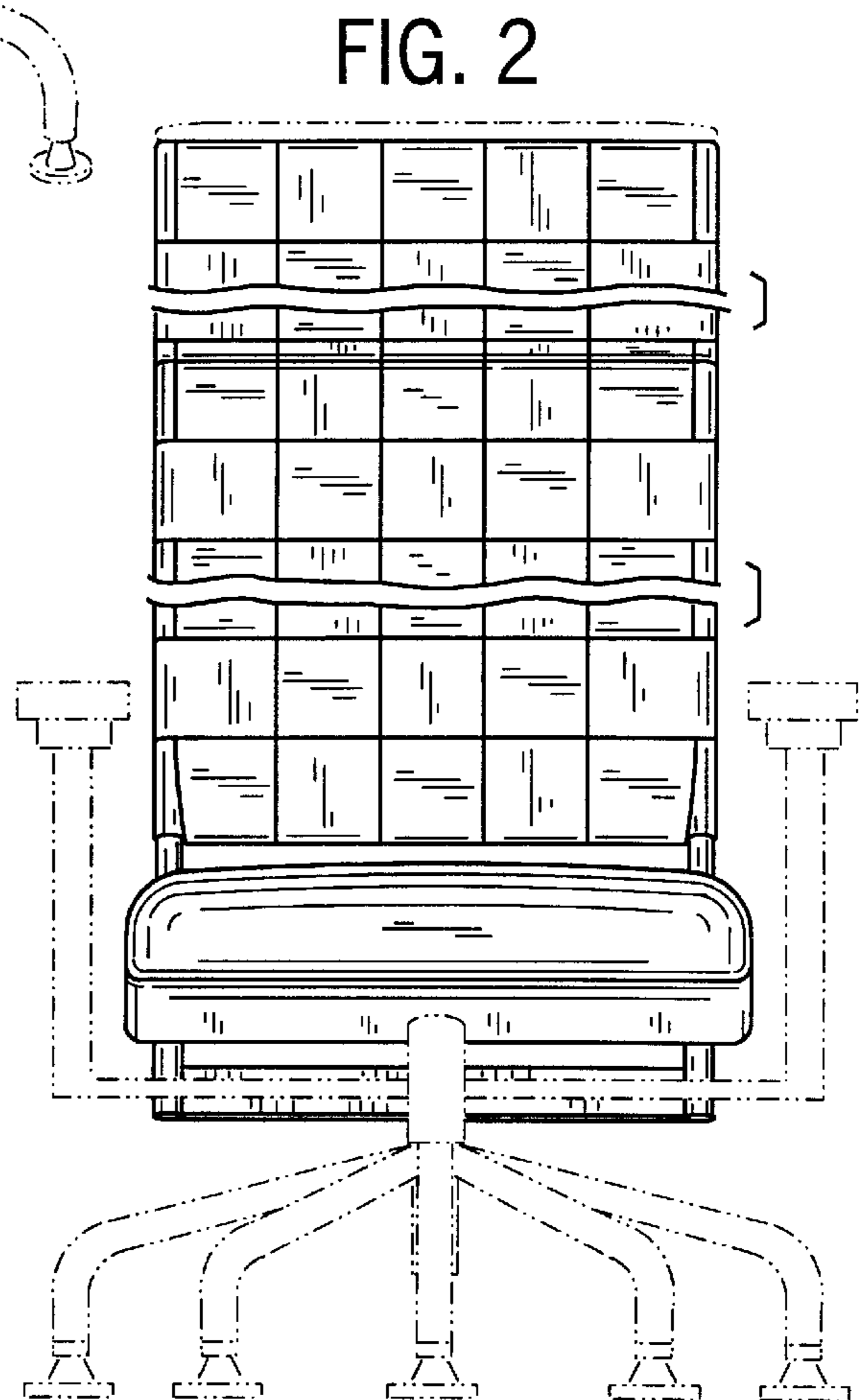


FIG. 2

FIG. 3

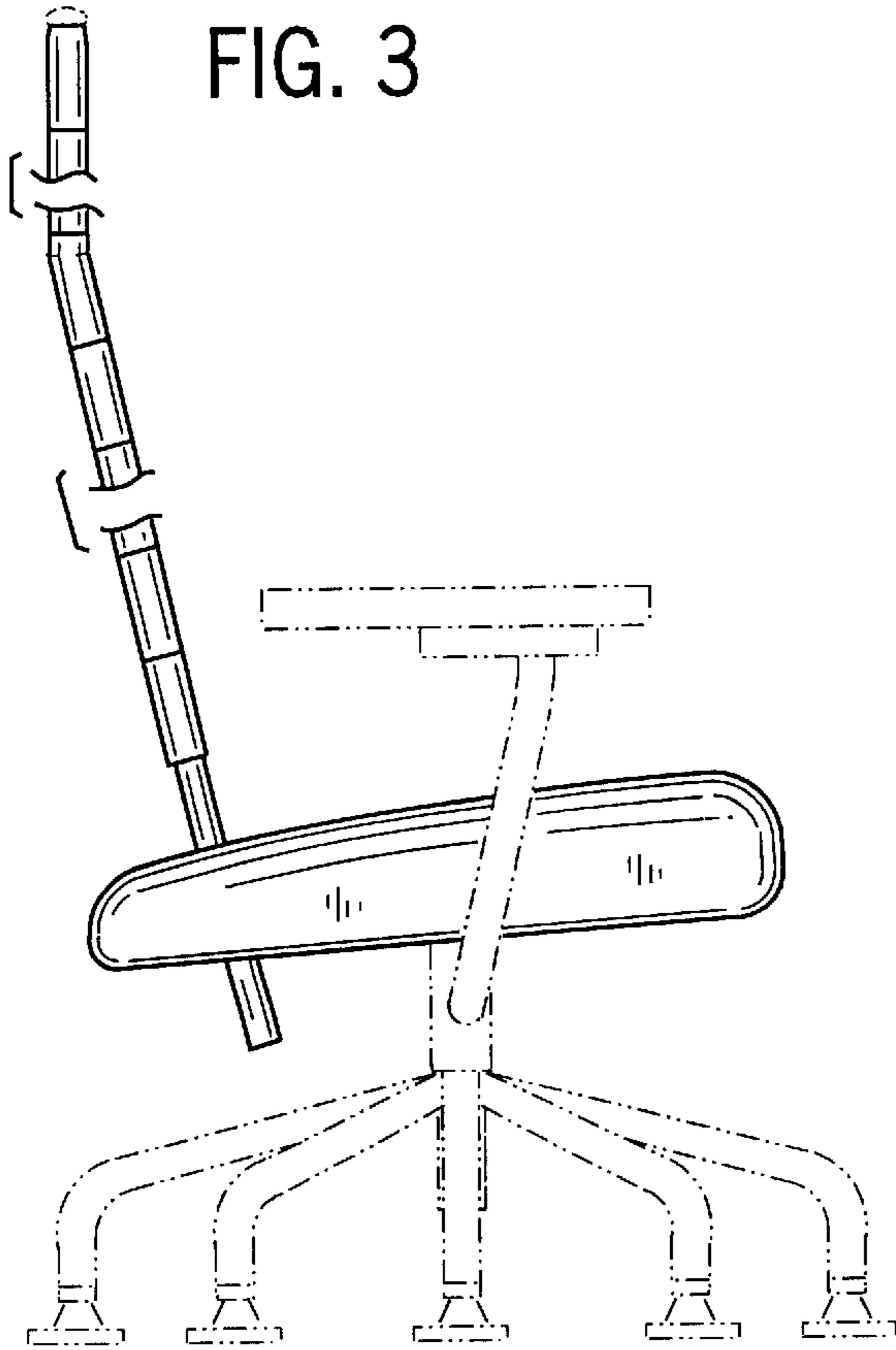


FIG. 4

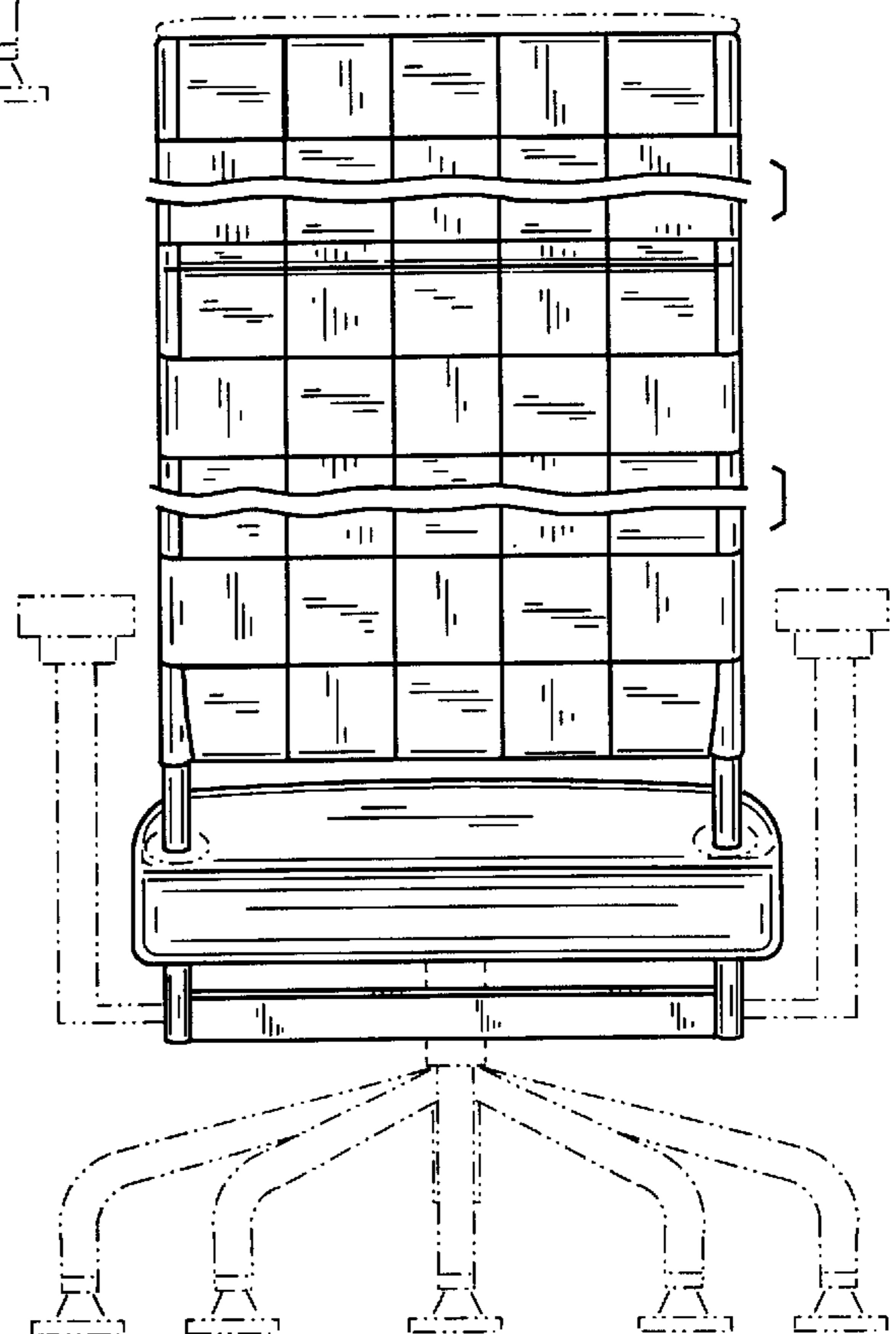


FIG. 5

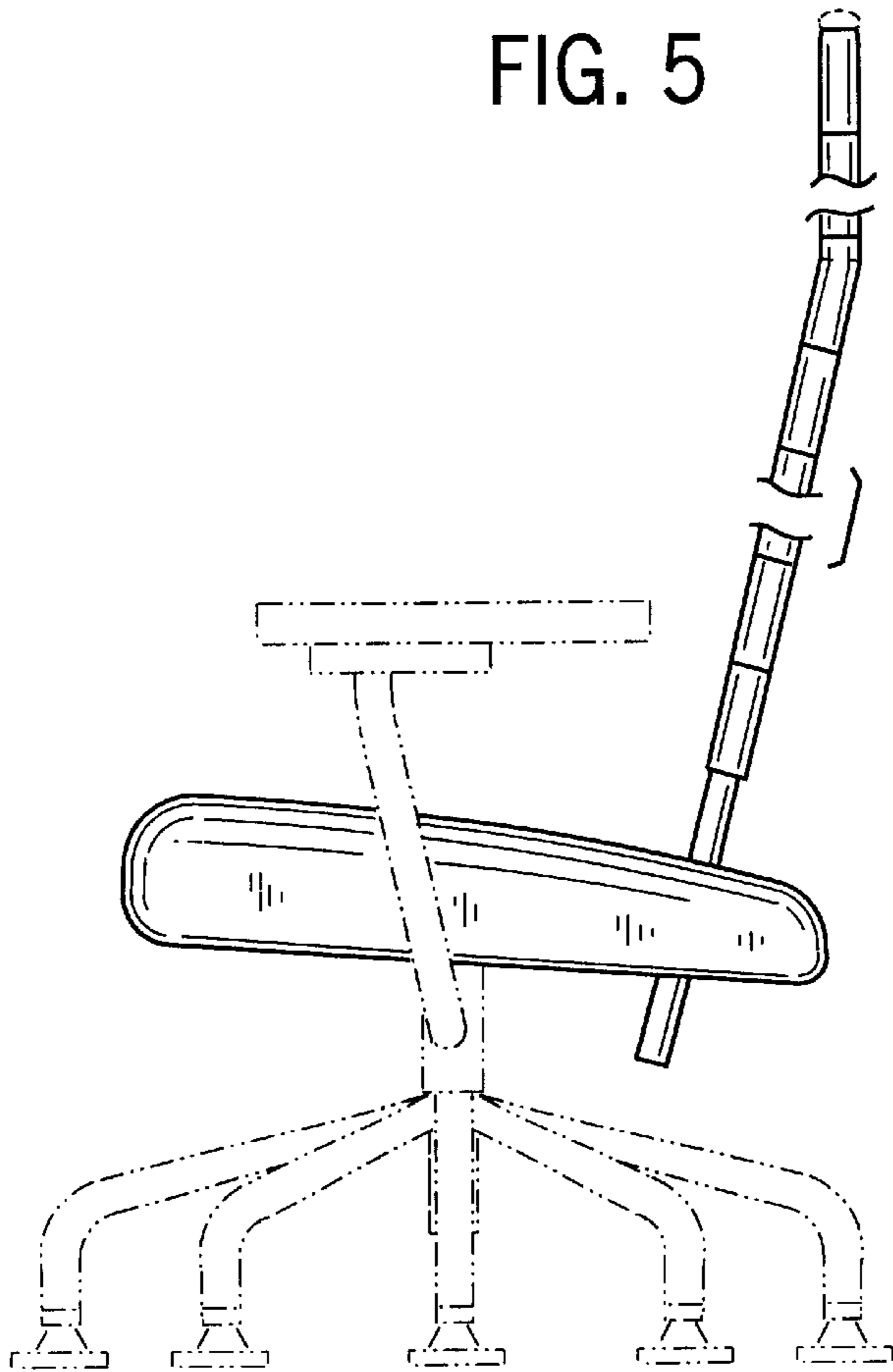


FIG. 6

