



US00D450952B1

(12) **United States Design Patent**
Stewart

(10) **Patent No.:** **US D450,952 S**

(45) **Date of Patent:** **** Nov. 27, 2001**

(54) **SEAT FRAME**

(75) Inventor: **Kipp Stewart**, Carmel, CA (US)

(73) Assignee: **Landscape Forms, Inc.**, Kalamazoo, MI (US)

(**) Term: **14 Years**

(21) Appl. No.: **29/130,231**

(22) Filed: **Sep. 29, 2000**

(51) **LOC (7) Cl.** **06-06**

(52) **U.S. Cl.** **D6/499**

(58) **Field of Search** D6/349-353, 370,
D6/355, 503, 495-499, 387; 297/461, 462,
195.1, 423.1, 423.11, 423.39, 423.42, 423.43,
423.41; 5/127, 128

(56) **References Cited**

U.S. PATENT DOCUMENTS

D. 386,322 * 11/1997 Maury D6/370
2,353,220 * 7/1944 Charlop 5/127
4,975,994 * 12/1990 Barmettler 5/120

OTHER PUBLICATIONS

Landscape Forms Inc. 1995, p. 11, bench at top right.*
Sling Console Table, Bradford Stewart & Company, Palo
Alto, CA, 1995, 2 pp.

Poolside Collection, Bradford Stewart & Company, Oak-
land, CA, 1996, 2pp.

* cited by examiner

Primary Examiner—Janice E. Seeger

(74) *Attorney, Agent, or Firm*—Heslin Rothenberg Farley
& Mesiti, P.C.

(57) **CLAIM**

The ornamental design for a seat frame, as shown and
described.

DESCRIPTION

FIG. 1 is an isometric view of the seat frame of my new
design;

FIG. 2 is a top plan view thereof;

FIG. 3 is a front elevational view thereof, the rear elevational
view being a mirror image thereof;

FIG. 4 is a left side elevational view thereof the right side
elevational view being a mirror image thereof,

FIG. 5 is a bottom plan view thereof; and,

FIG. 6 is an isometric view which view differs from FIG. 1
only by the broken line showing of a seat structure.

The broken line showing in the drawing figures is for
illustrative purposes only and forms no part of the claimed
design.

1 Claim, 5 Drawing Sheets

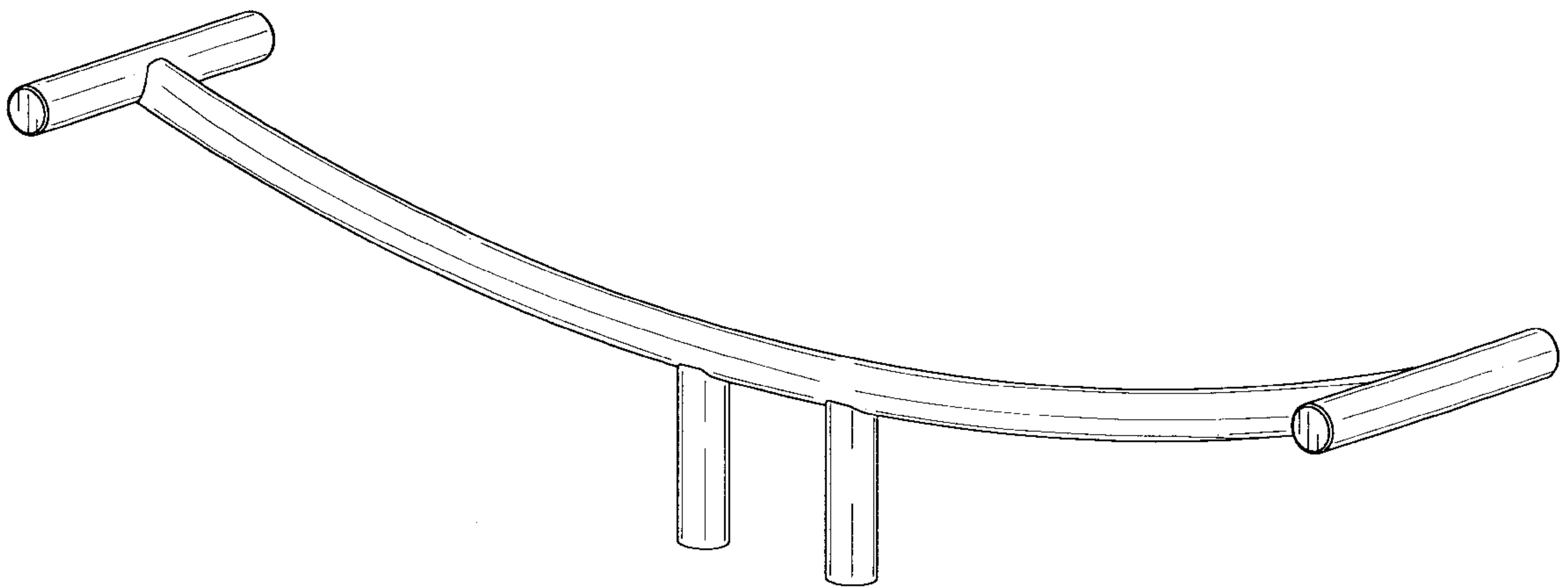
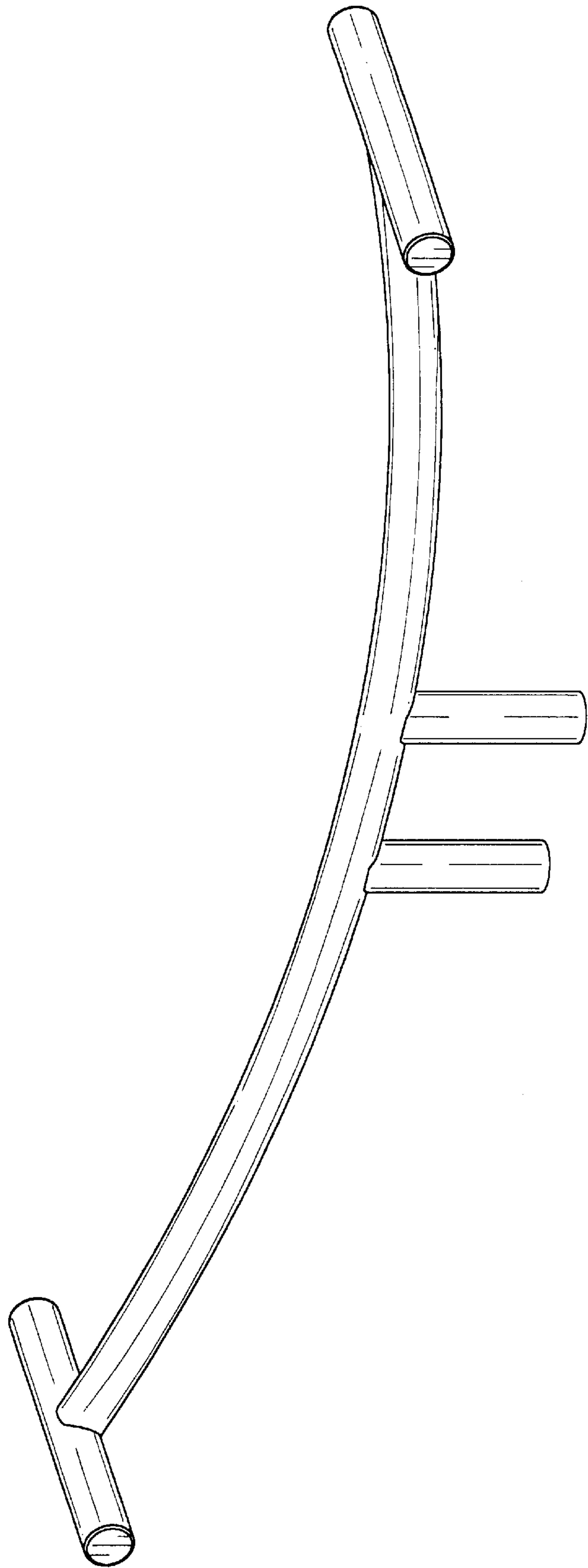


FIG. 1



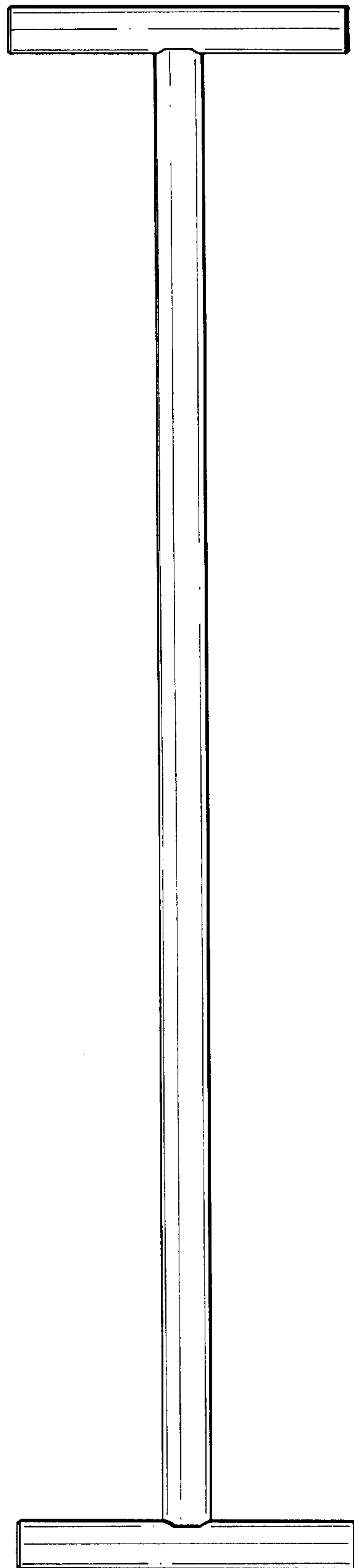
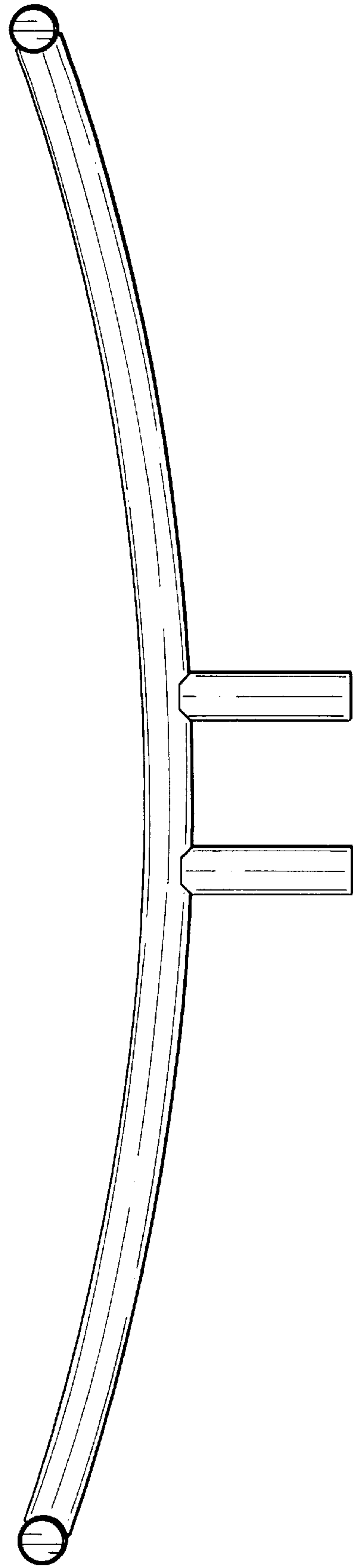


FIG. 2

FIG. 3



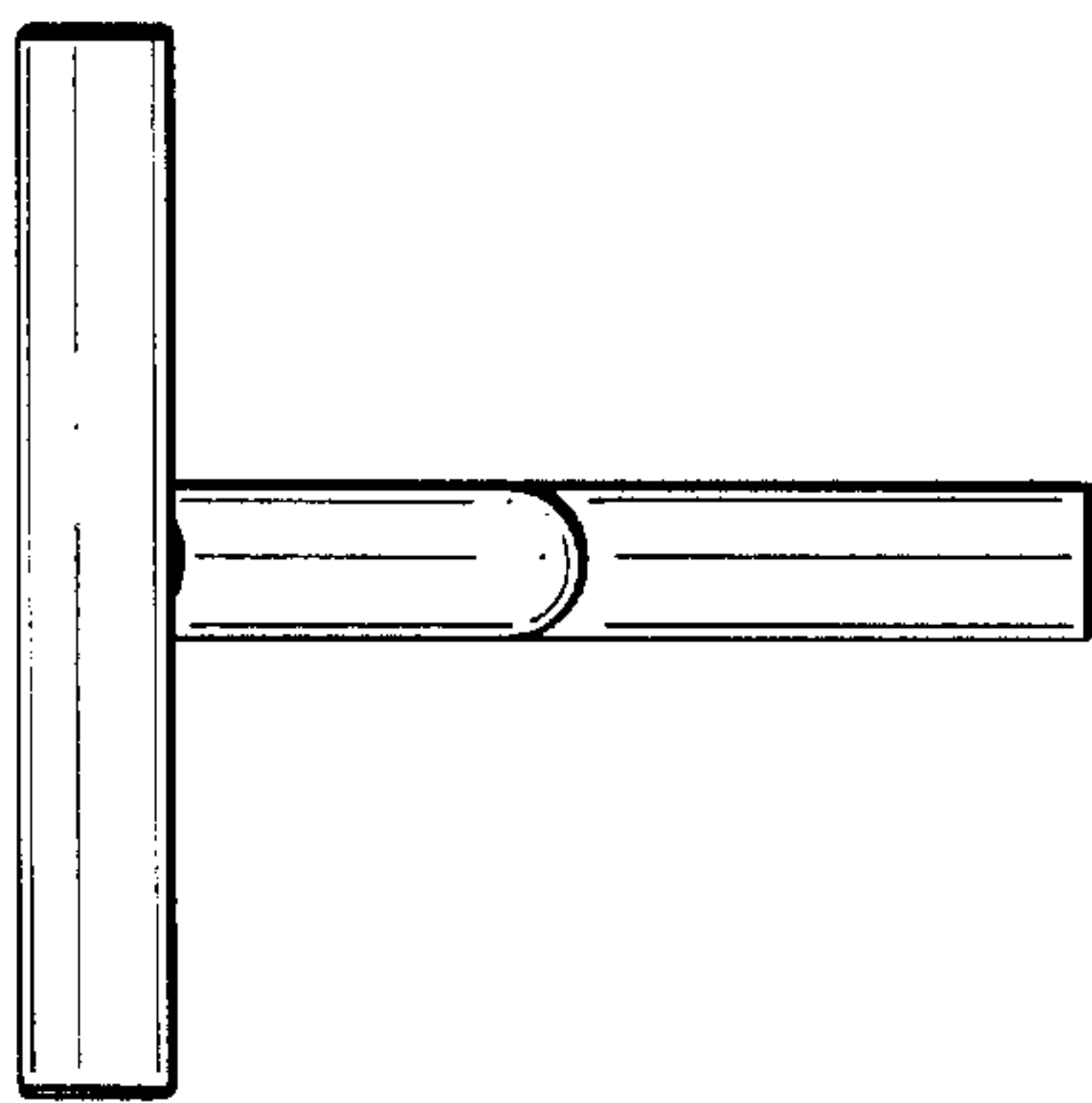


FIG. 4

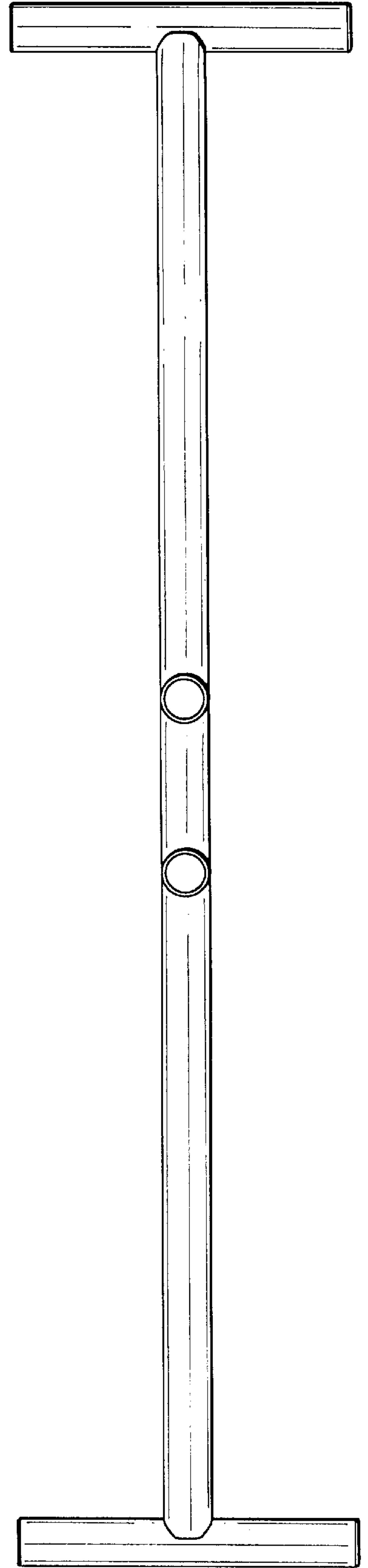


FIG. 5

FIG. 6

