



US00D450950B1

(12) **United States Design Patent**
Leideritz

(10) **Patent No.:** **US D450,950 S**

(45) **Date of Patent:** **** Nov. 27, 2001**

- (54) **TABLE**
- (75) **Inventor:** **Ludo Leideritz**, Rancho Santa Margarita, CA (US)
- (73) **Assignee:** **Scanmark, Inc.**, Rancho Santa Margarita, CA (US)
- (**) **Term:** **14 Years**
- (21) **Appl. No.:** **29/135,435**
- (22) **Filed:** **Jan. 11, 2001**
- (51) **LOC (7) Cl.** **06-03**
- (52) **U.S. Cl.** **D6/480; D6/430**
- (58) **Field of Search** D6/480-489, 495-499, D6/511, 429, 430; 108/153.1, 156, 157.1, 161, 33, 25, 83, 65, 90; 248/188, 188.1, 188.7, 188.8

- 2,699,975 * 1/1955 Ranney 108/67
- 2,699,976 * 1/1955 Ranney 108/67
- 4,297,952 * 11/1981 Zagaroli 108/83

OTHER PUBLICATIONS

Printout of Website Information from www.bonaldo.it, with illustrations of OSCAR TM 40 Table and other products (5 pages) no date.

Color Brochure (one page) with a photograph apparently illustrating the Bonaldo OSCAR TM 40 table. no date.

* cited by examiner

Primary Examiner—Janice E. Seeger

(74) *Attorney, Agent, or Firm*—Larry K. Roberts

(57) **CLAIM**

The ornamental design for a table, as shown and described.

DESCRIPTION

FIG. 1 is a perspective view illustrating the new design;
 FIG. 2 is a top view;
 FIG. 3 is a front elevation view;
 FIG. 4 is a left side elevation view;
 FIG. 5 is a bottom view; and,
 FIG. 6 is a perspective view similar to FIG. 1, but showing the design of the table with a center leaf in a use position.

1 Claim, 4 Drawing Sheets

- (56) **References Cited**
- U.S. PATENT DOCUMENTS**
- D. 133,624 * 9/1942 Hollander D6/480
- D. 167,739 * 9/1952 Carr D6/480
- D. 231,886 * 6/1974 Kephart D6/484
- D. 237,335 * 10/1975 Ginat D6/484
- D. 431,398 * 10/2000 Luong et al. D6/484
- D. 437,714 * 2/2001 Rasche D6/484

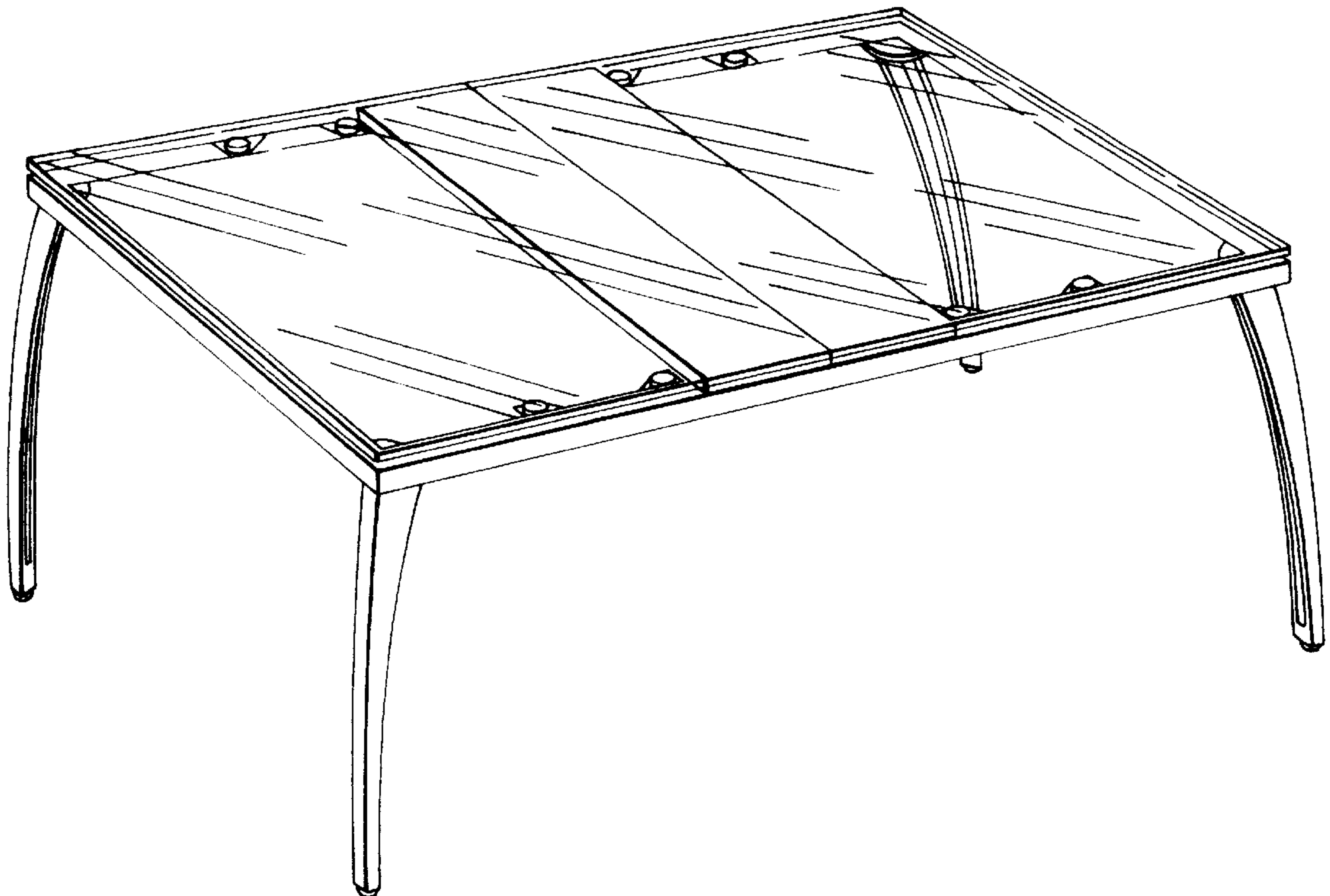


FIG. 1

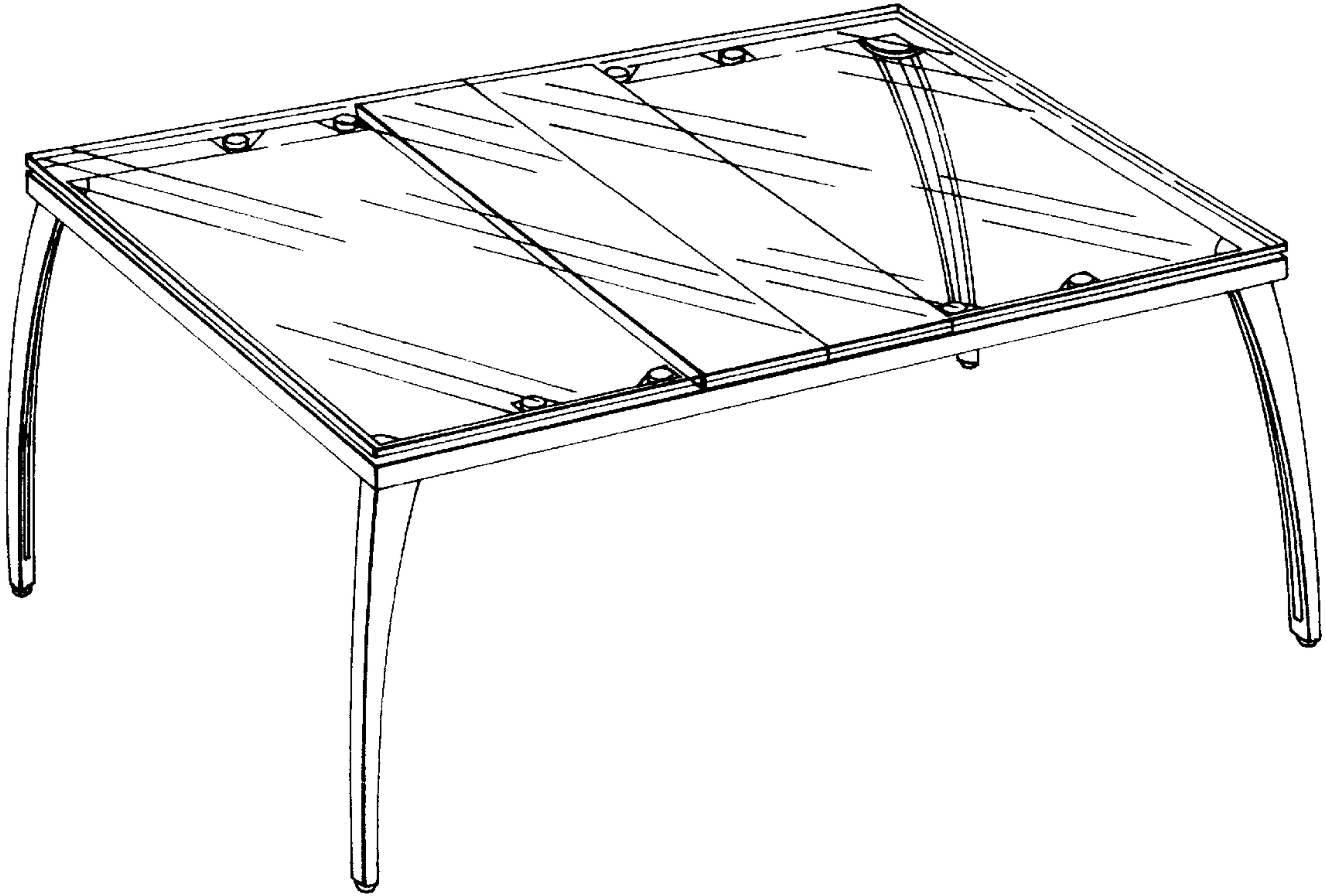


FIG. 2

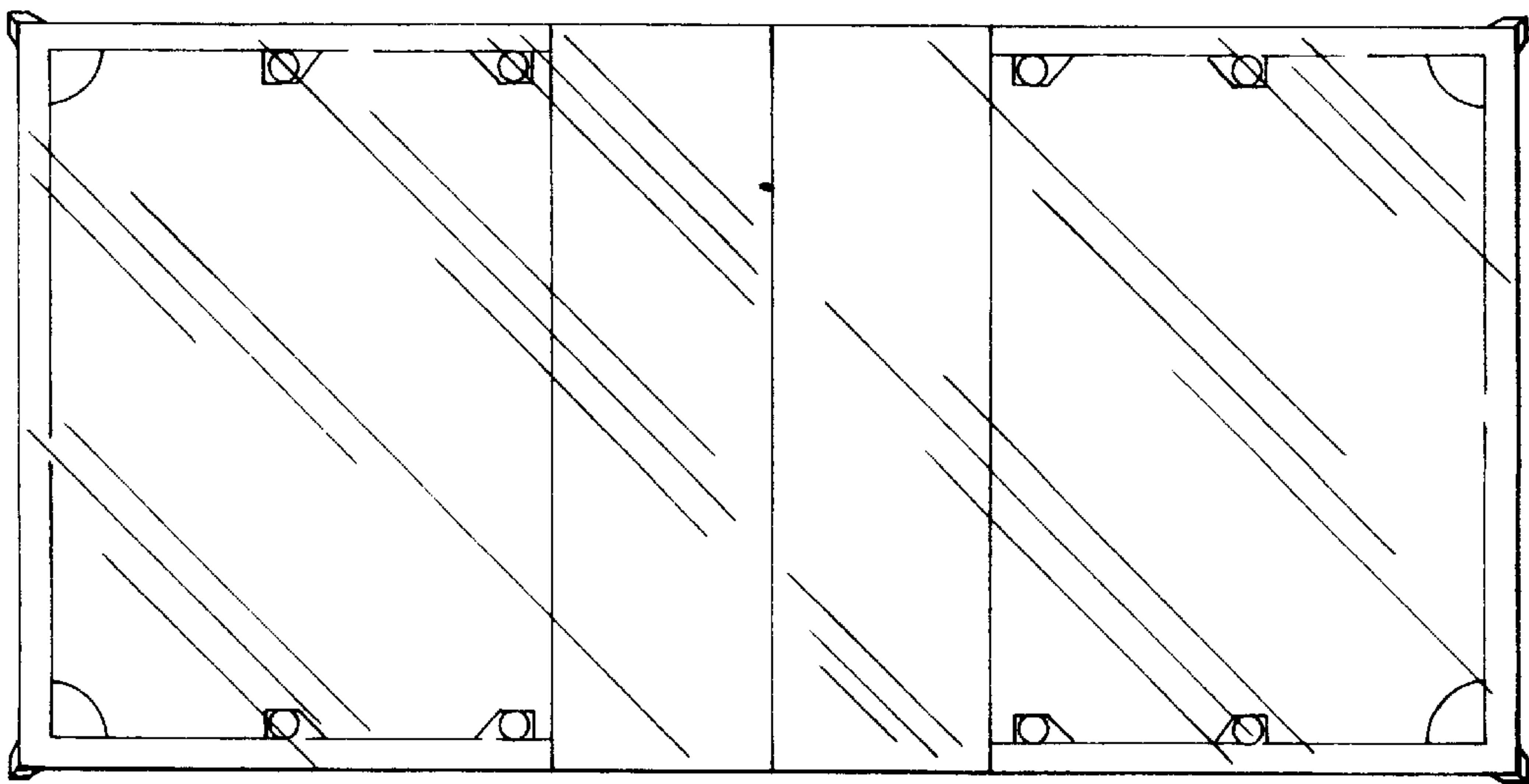


FIG. 3

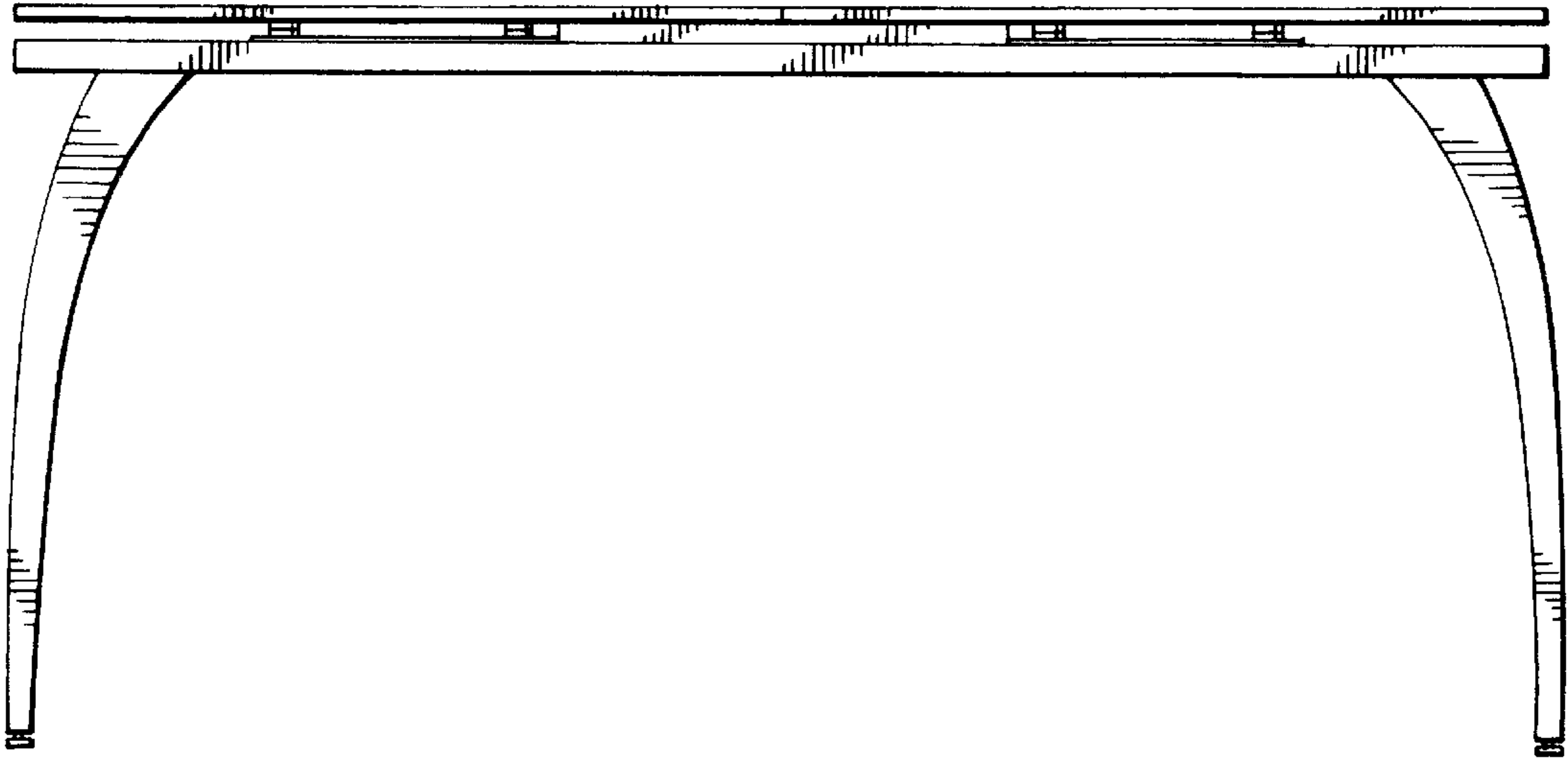
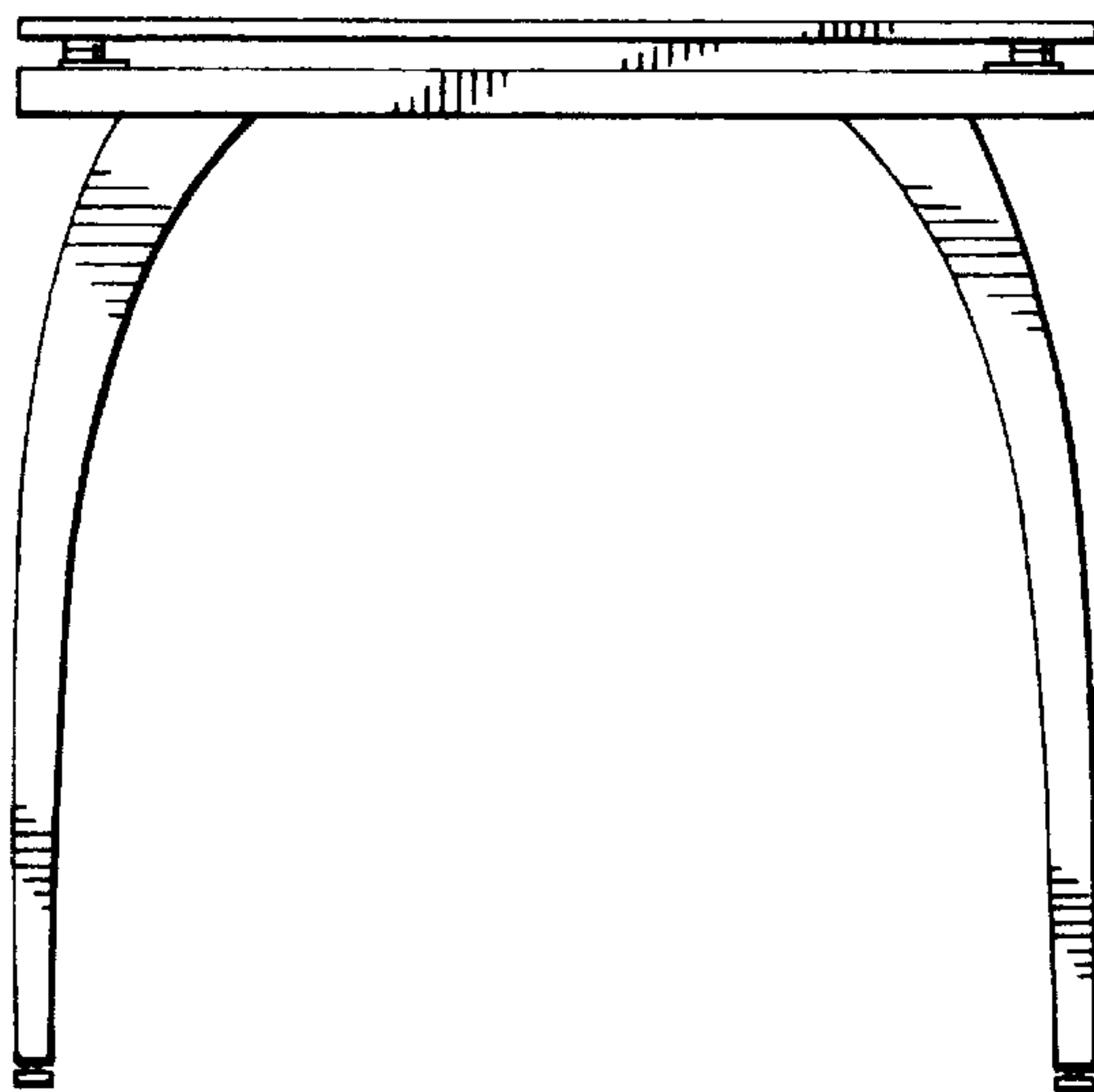


FIG. 4



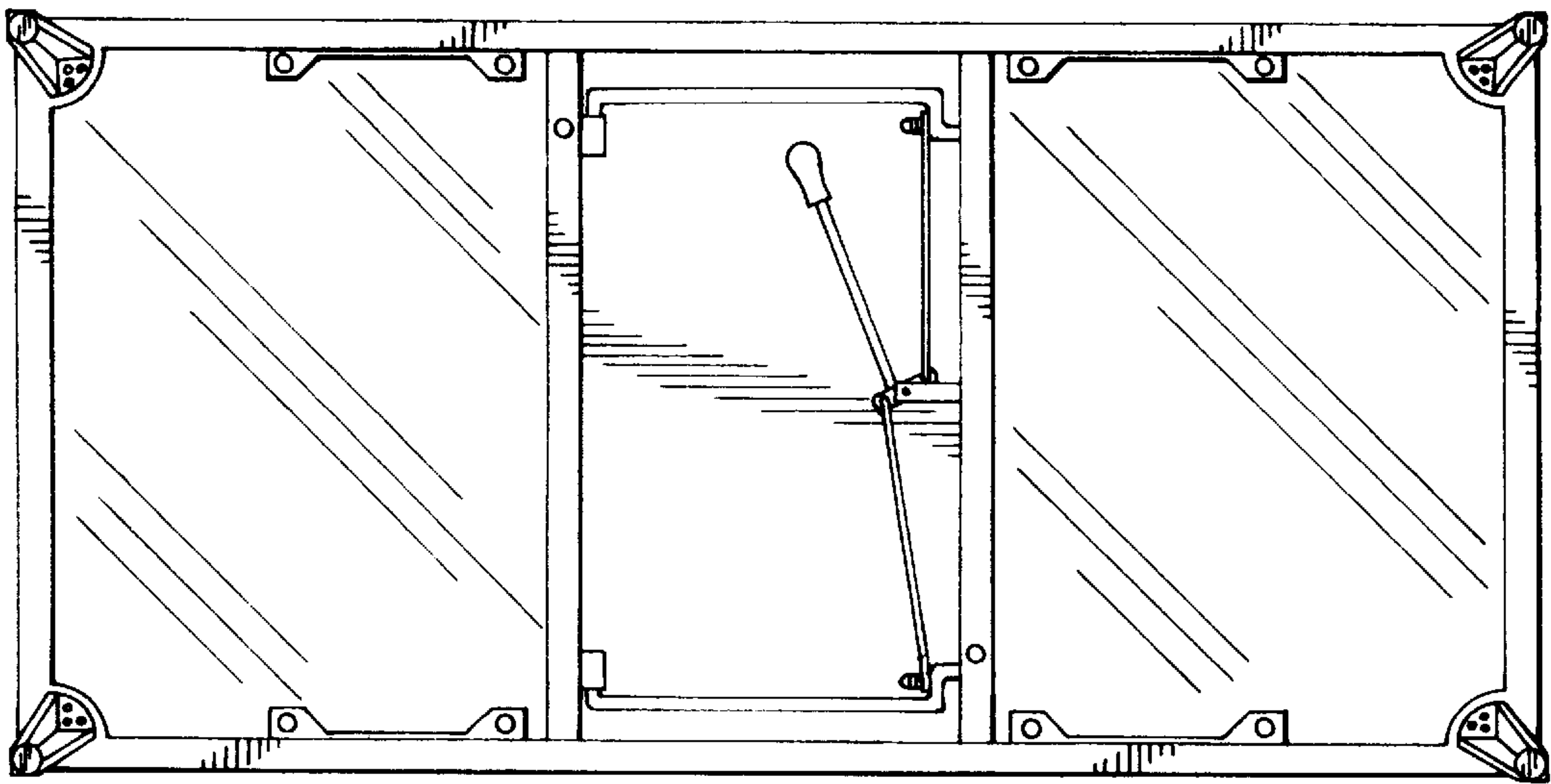


FIG. 5

FIG. 6

