



US00D450946B2

(12) **United States Design Patent**  
**Vaaler**

(10) **Patent No.:** **US D450,946 S**

(45) **Date of Patent:** **\*\* Nov. 27, 2001**

(54) **BED**

(75) **Inventor:** **Lawrence I. Vaaler**, Lenoir, NC (US)

(73) **Assignee:** **Bernhardt, L.L.C.**, Lenoir, NC (US)

(\*\*) **Term:** **14 Years**

(21) **Appl. No.:** **29/137,644**

(22) **Filed:** **Feb. 26, 2001**

(51) **LOC (7) Cl.** ..... **06-01**

(52) **U.S. Cl.** ..... **D6/393**

(58) **Field of Search** ..... D6/382, 392-395,  
D6/505-508; 5/53.1, 279.1, 280, 281, 907,  
310

(56) **References Cited**

**U.S. PATENT DOCUMENTS**

D. 395,964 \* 7/1998 Bell, Jr. .... D6/384  
D. 412,795 \* 8/1999 Bargagli-Stoffi ..... D6/393

**OTHER PUBLICATIONS**

Bloomington, p. 12, bed at top.\*

Thomasville, Grand Classics, c1993, p. 3, bed at top.\*

\* cited by examiner

*Primary Examiner*—Janice E. Seeger

(74) *Attorney, Agent, or Firm*—MacCord Mason PLLC

(57) **CLAIM**

The ornamental design for a bed, as shown and described.

**DESCRIPTION**

FIG. 1 is a left front perspective view of a bed showing my new design;

FIG. 2 is a front elevational view of the headboard and footboard;

FIG. 3 is a side elevational view thereof;

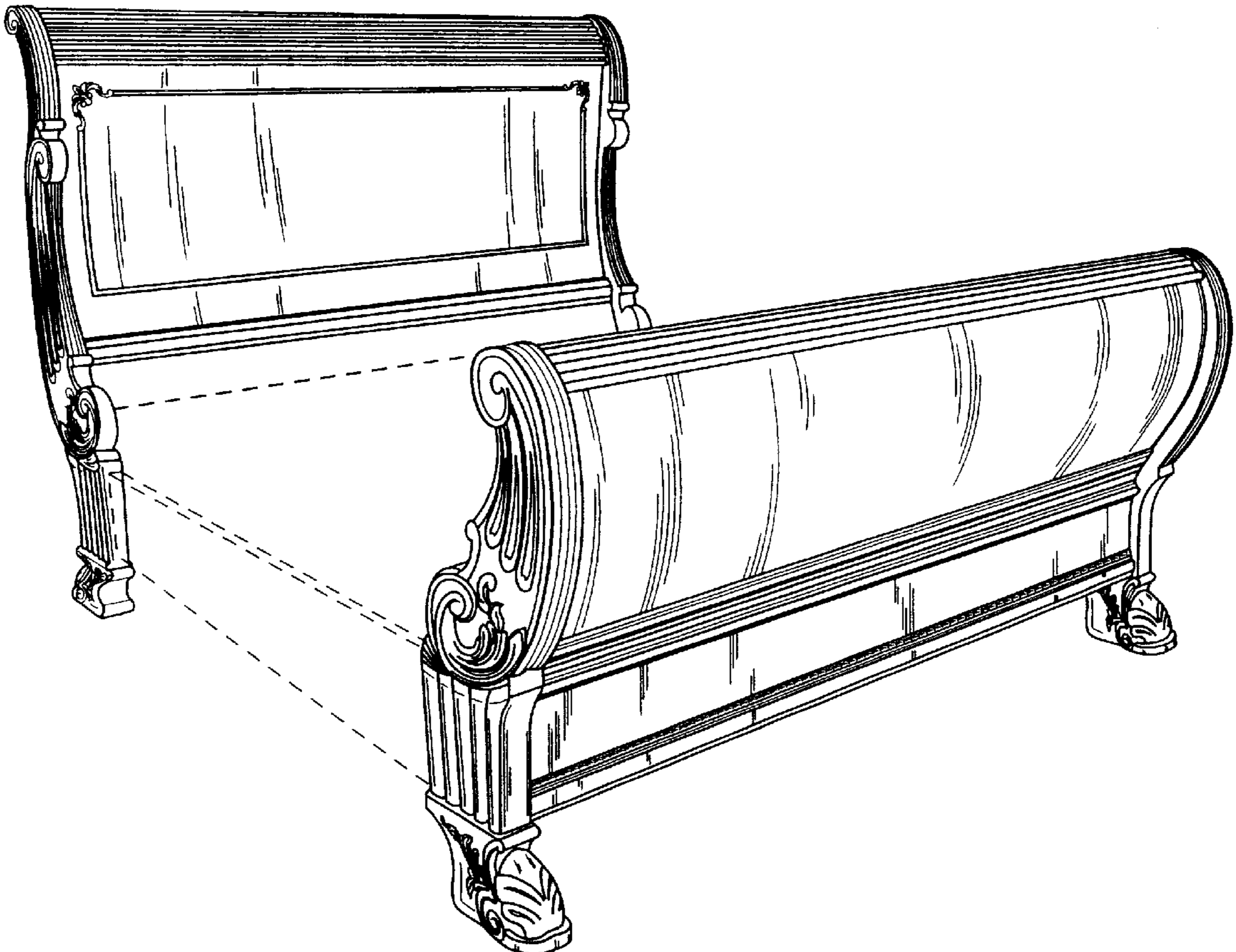
FIG. 4 is a front elevational view of the headboard;

FIG. 5 is a front elevational view of the footboard; and,

FIG. 6 is a perspective view from the back of the footboard.

The broken lines showing the bed rails are for illustrative purposes only and forms no part of the design.

**1 Claim, 6 Drawing Sheets**



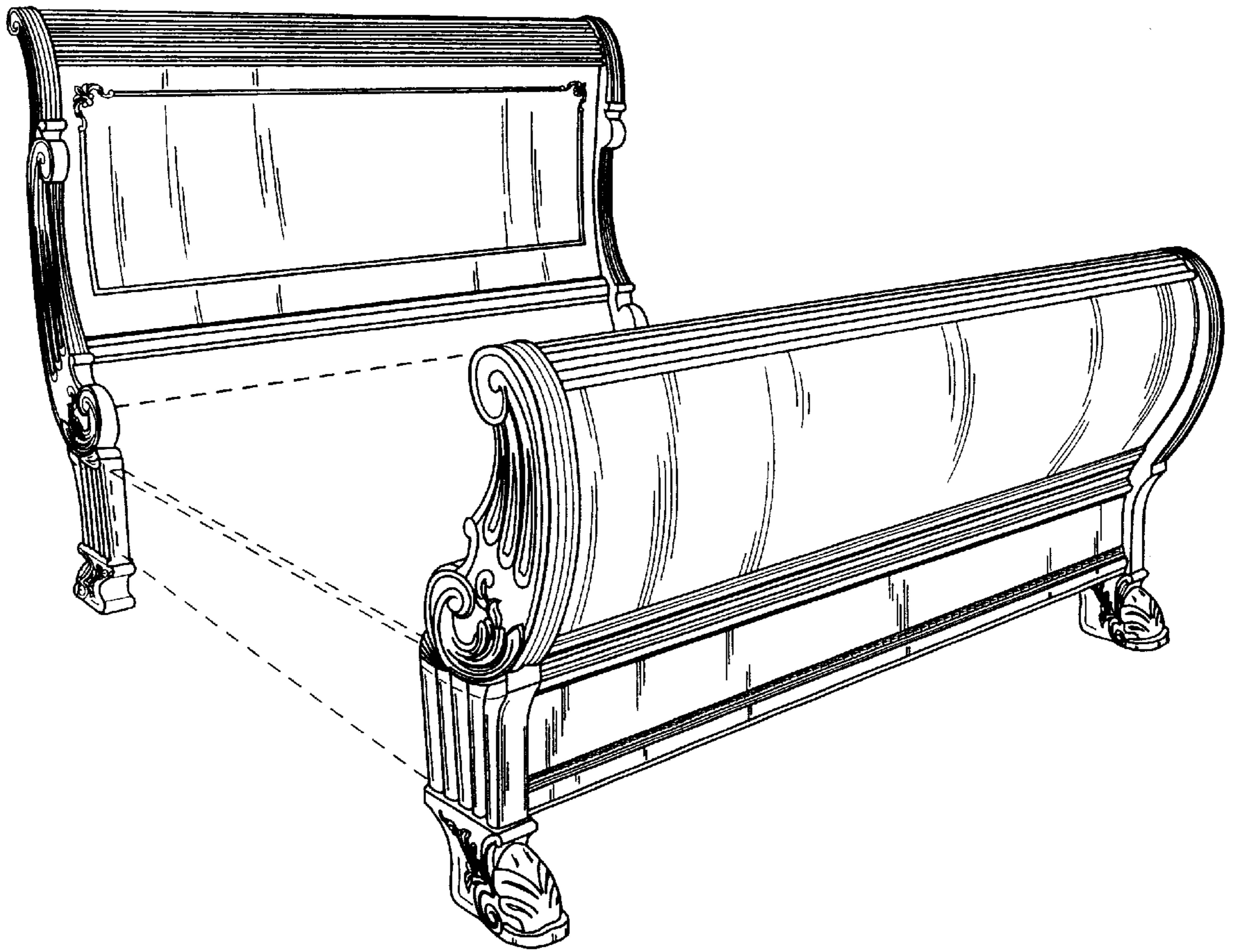


FIG. 1

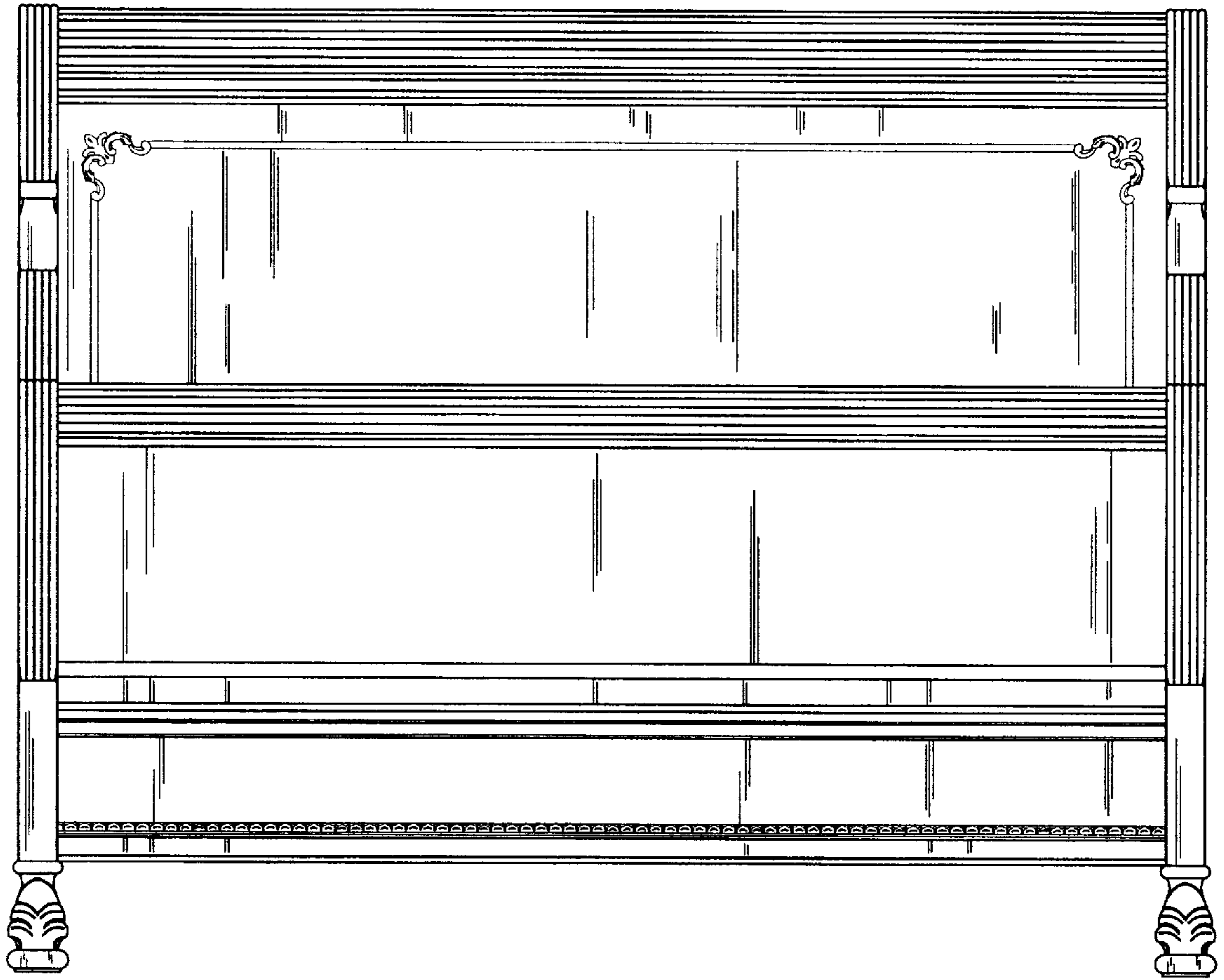
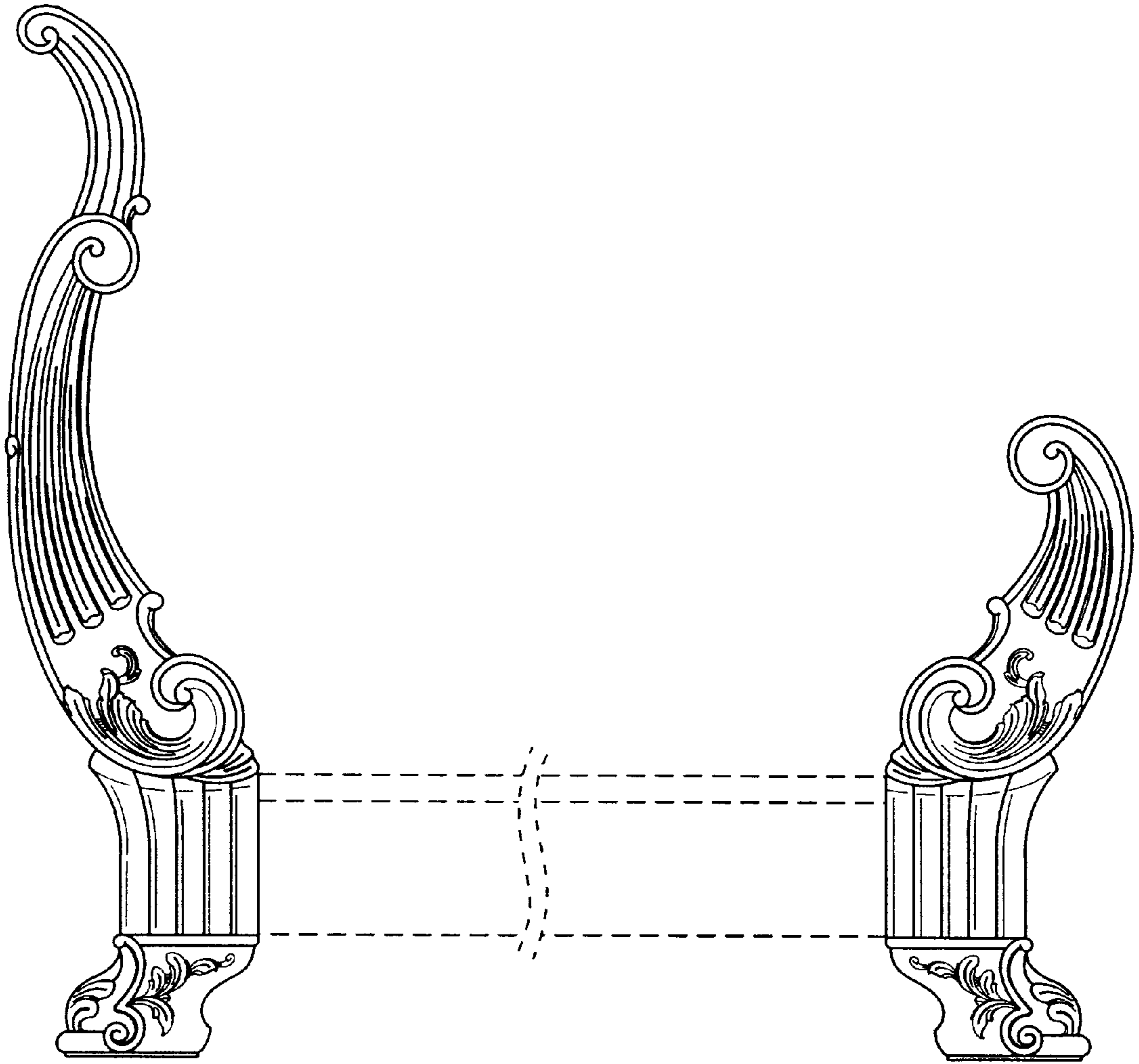


FIG. 2



**FIG. 3**

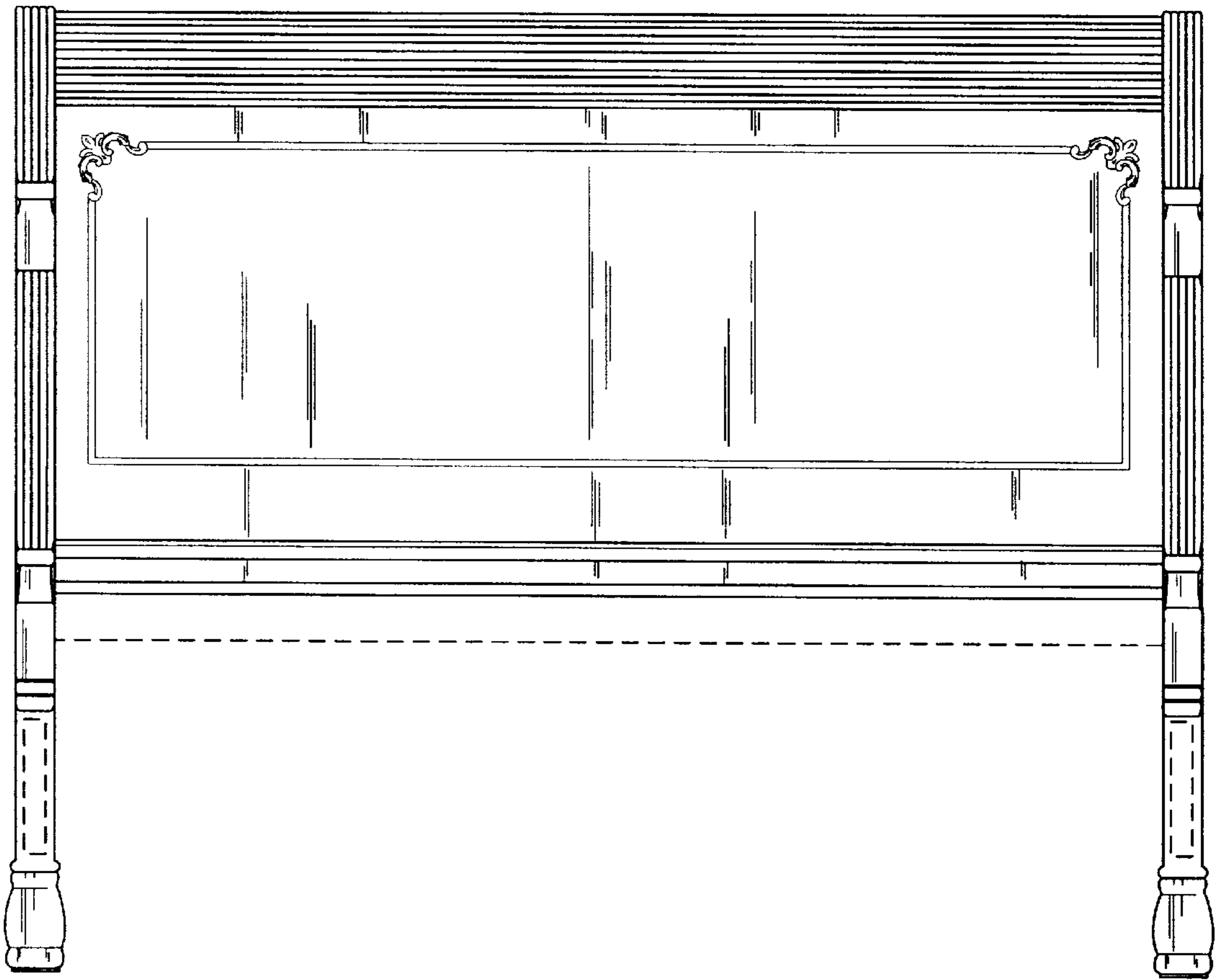


FIG. 4

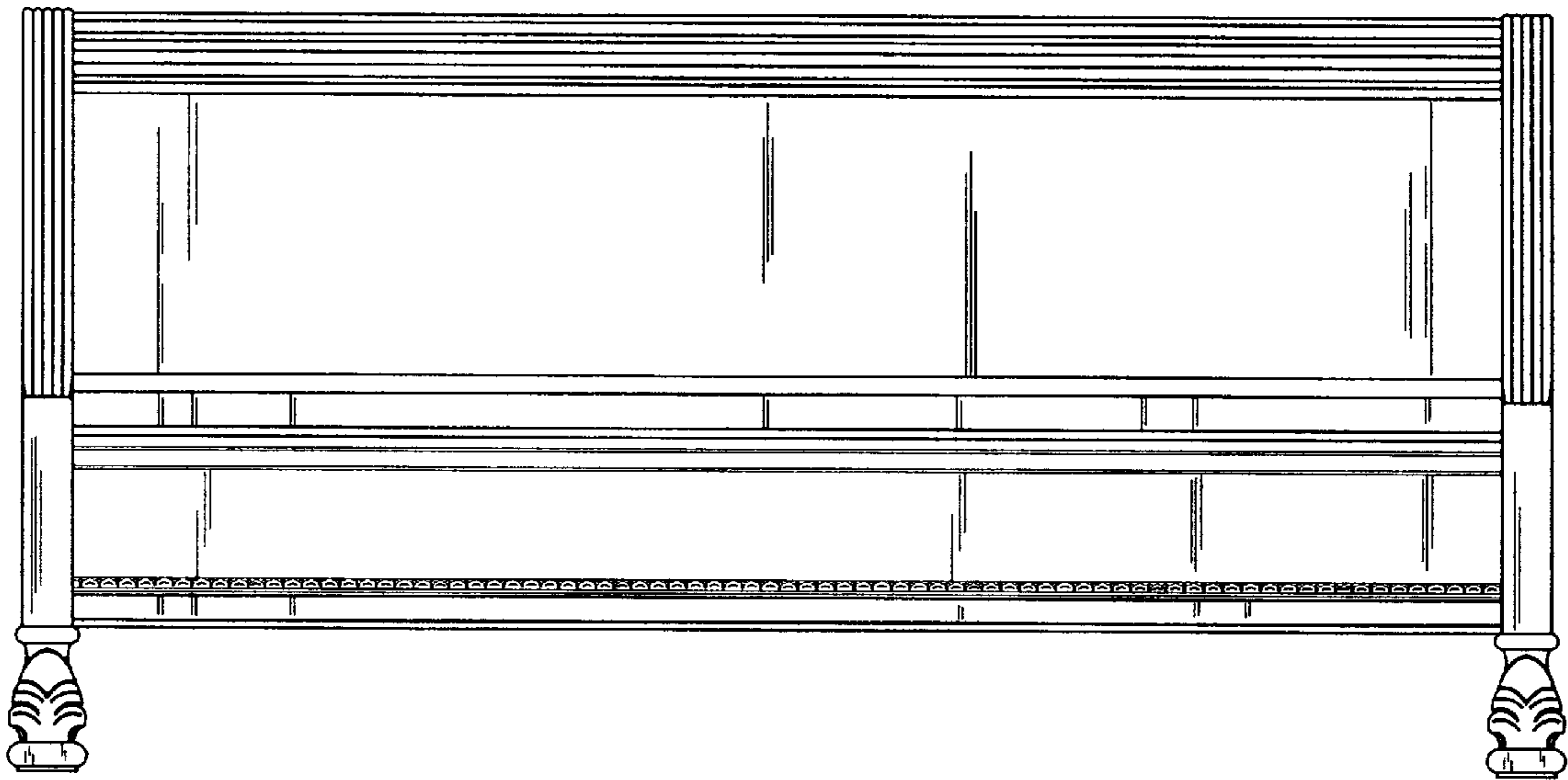


FIG. 5

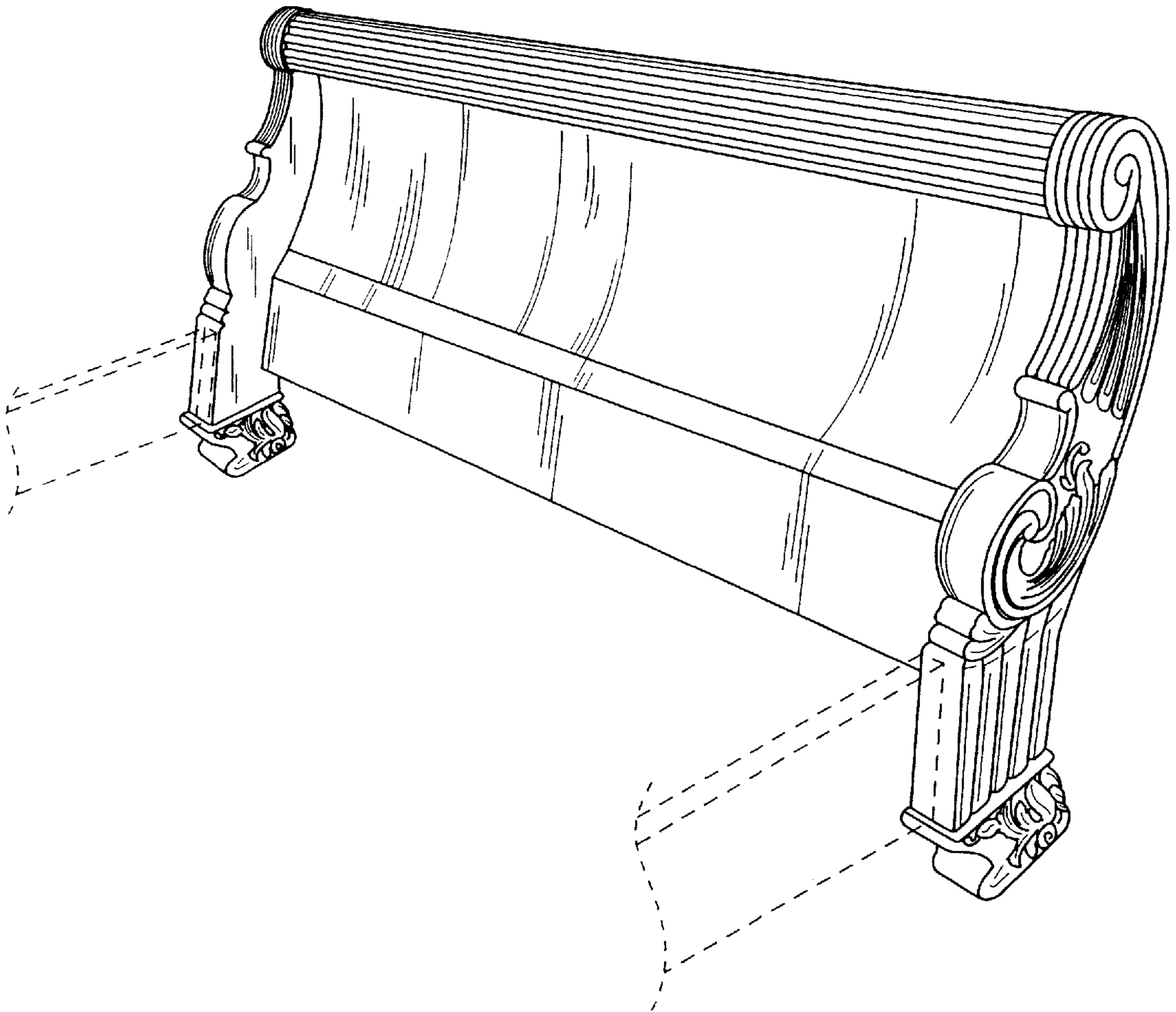


FIG. 6