



US00D450942B1

(12) **United States Design Patent**
Jones

(10) **Patent No.:** **US D450,942 S**

(45) **Date of Patent:** **** Nov. 27, 2001**

(54) **LOUNGE CHAIR WITH A FACE OPENING**

D. 429,421 * 8/2000 Hodge D6/361

(76) Inventor: **Thomas K. Jones**, 6300 Downey Finch
Dr., Anchorage, AK (US) 99516

* cited by examiner

(**) Term: **14 Years**

Primary Examiner—Gary D. Watson

(74) *Attorney, Agent, or Firm*—Michael J. Tavella

(21) Appl. No.: **29/139,667**

(57) **CLAIM**

(22) Filed: **Apr. 3, 2001**

The ornamental design for a lounge chair with a face opening, as shown and described.

(51) **LOC (7) Cl.** **06-01**

DESCRIPTION

(52) **U.S. Cl.** **D6/361**

(58) **Field of Search** D6/334, 335, 360,
D6/361, 367, 370, 500, 501, 502; 297/356,
377

FIG. 1 is a perspective view of my new design of a lounge chair with a face opening.

FIG. 2 is a top plan view thereof.

FIG. 3 is a bottom plan view thereof.

FIG. 4 is a front elevation view thereof.

FIG. 5 is a rear elevation view thereof; and,

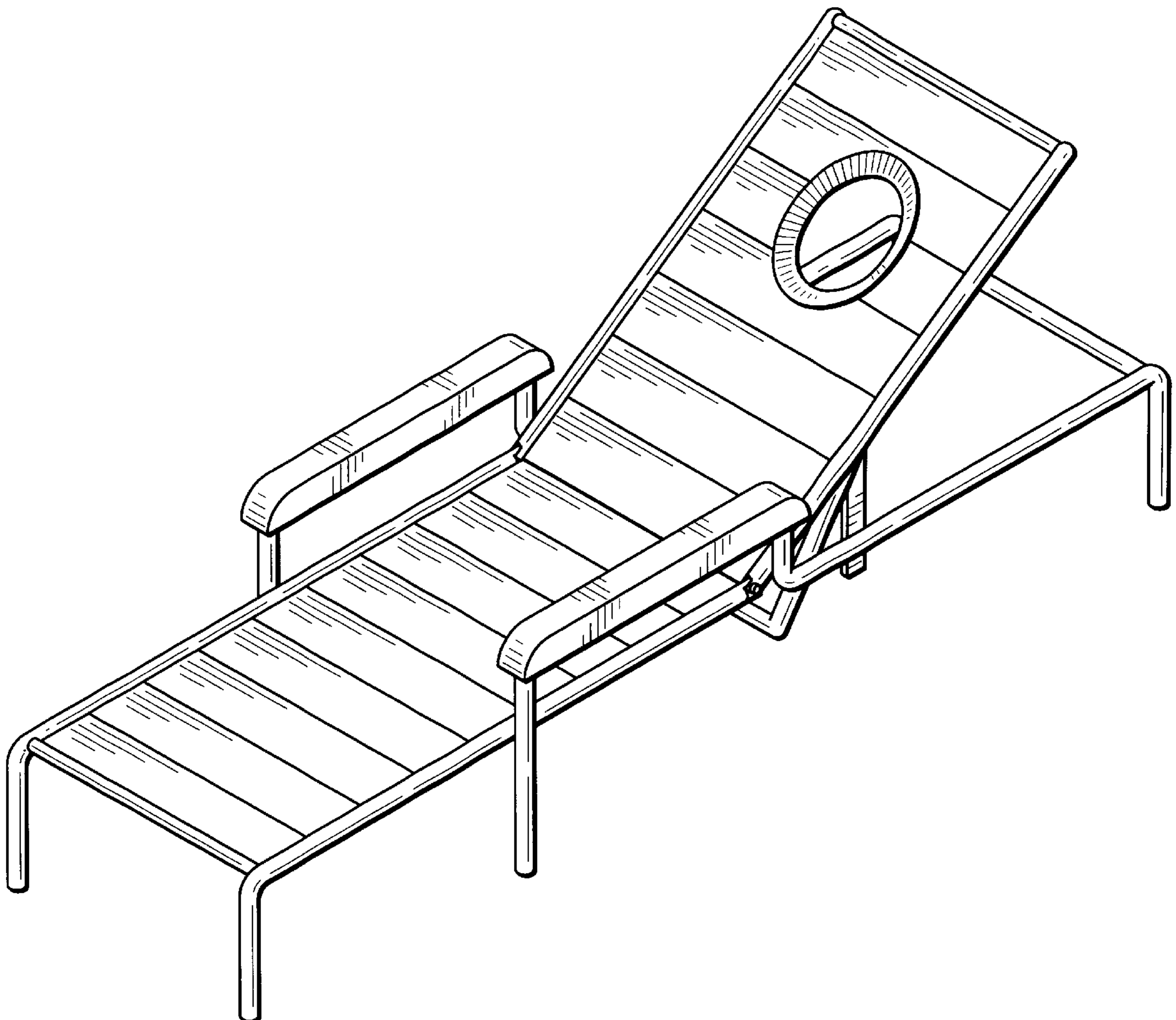
FIG. 6 is a right side elevation view thereof, the opposite side being a mirror image.

(56) **References Cited**

U.S. PATENT DOCUMENTS

- D. 381,524 * 7/1997 Gabriel D6/361
- D. 381,824 * 8/1997 Day et al. D6/361
- D. 414,048 * 9/1999 Adewale D6/361
- D. 416,697 * 11/1999 Germain D6/361

1 Claim, 5 Drawing Sheets



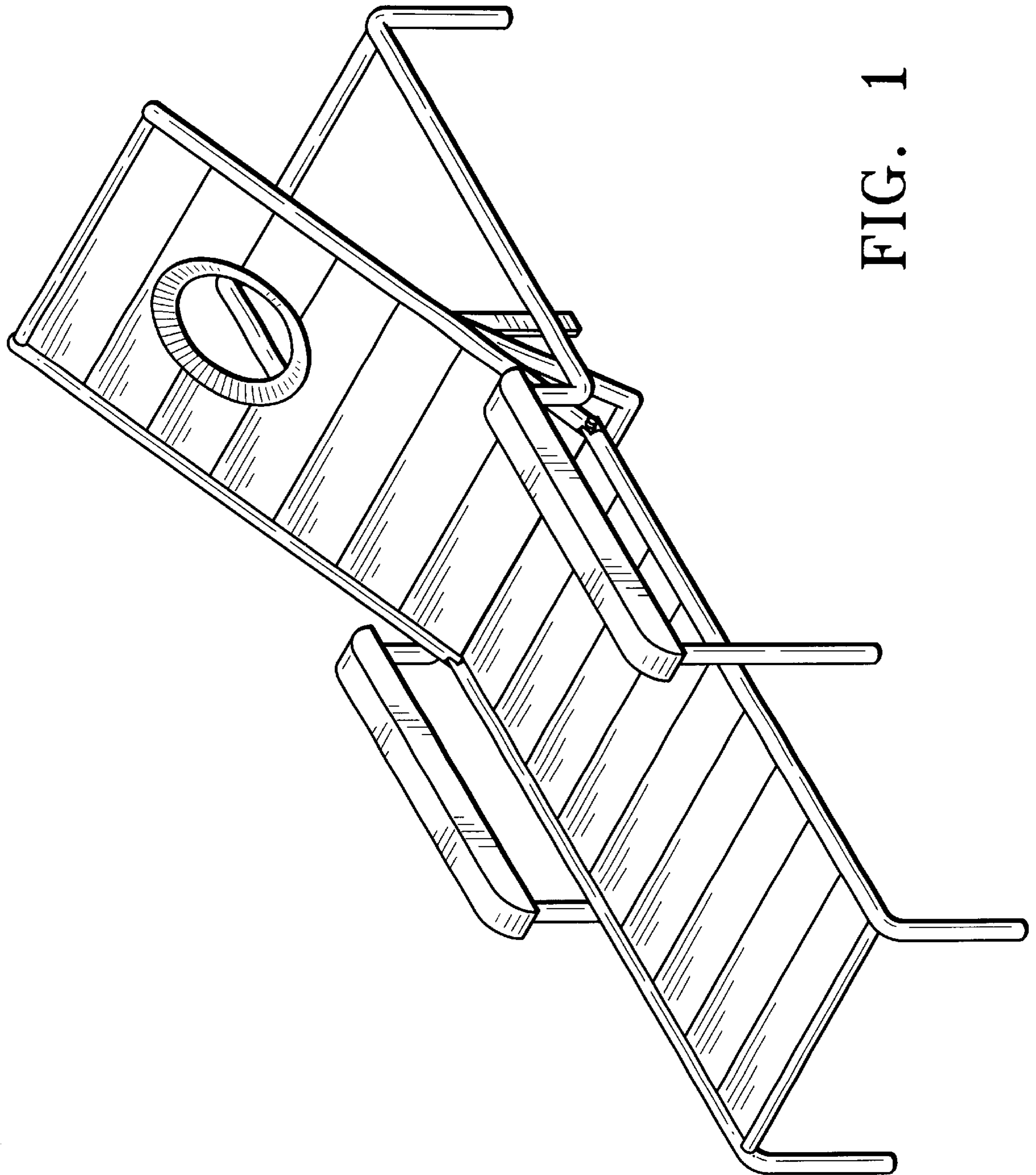


FIG. 1

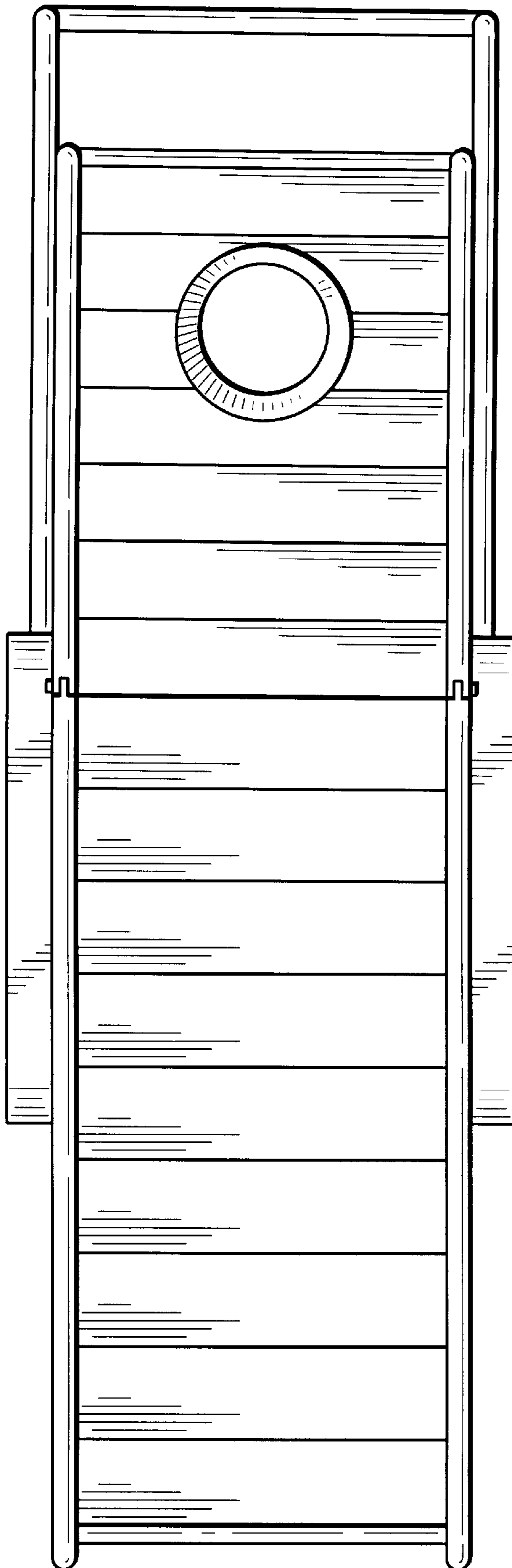


FIG. 2

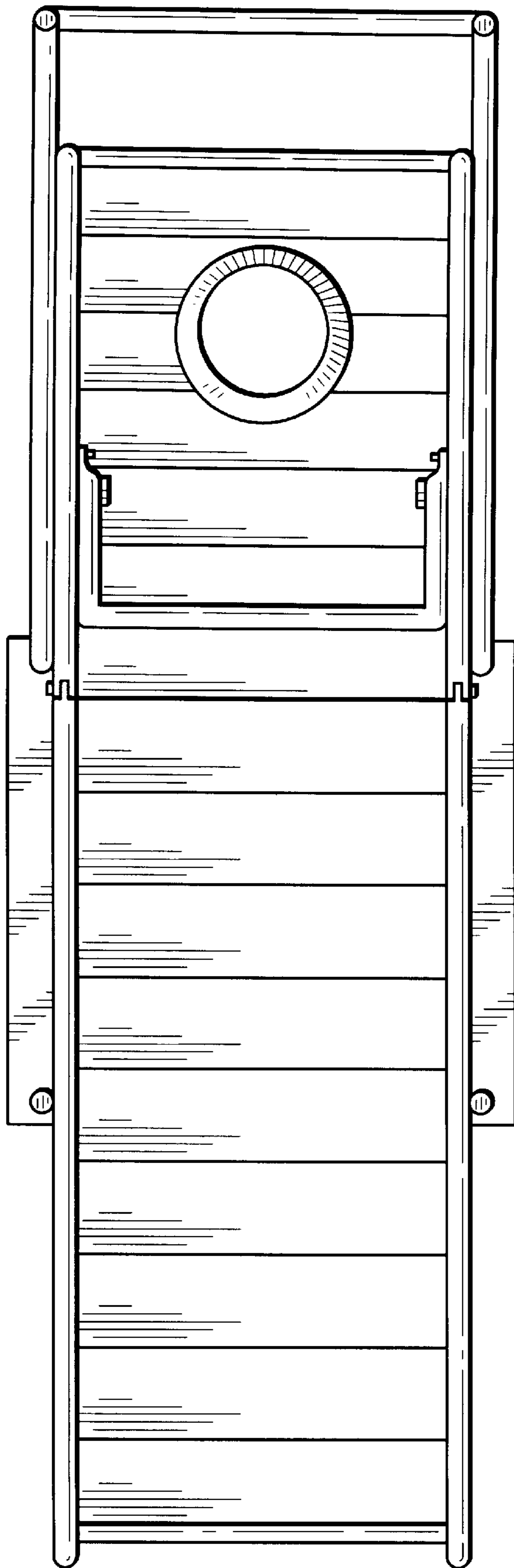


FIG. 3

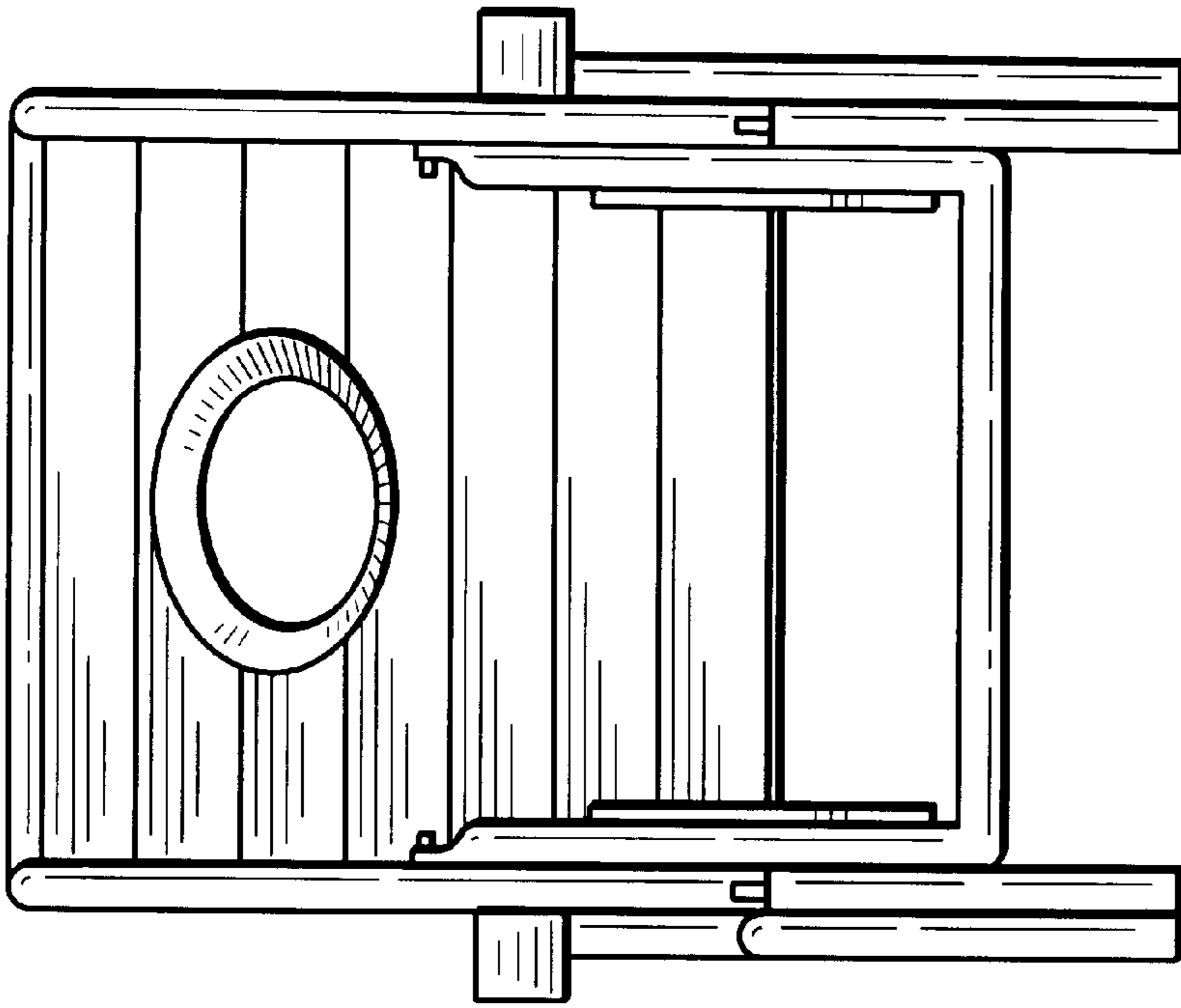


FIG. 5

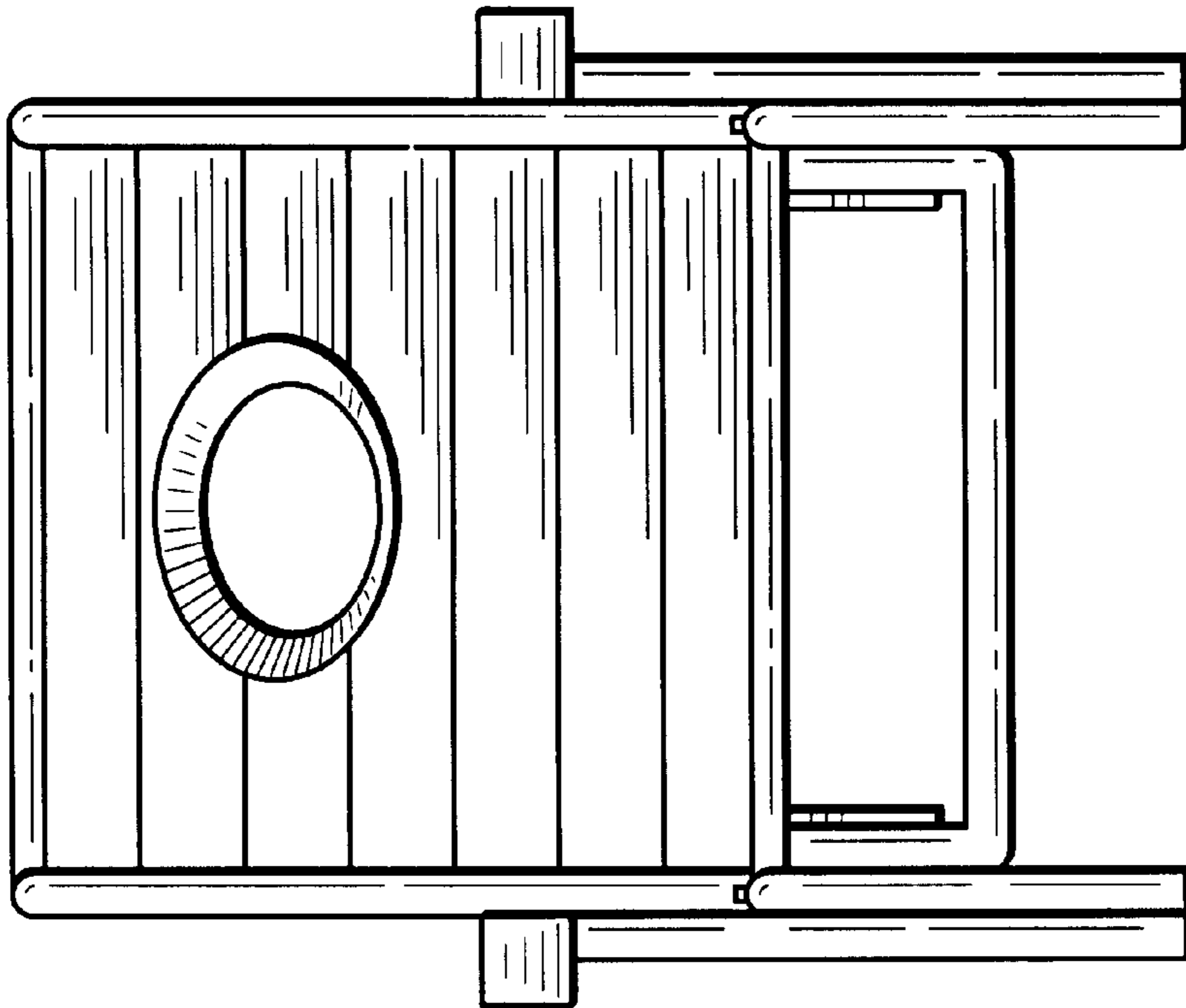


FIG. 4

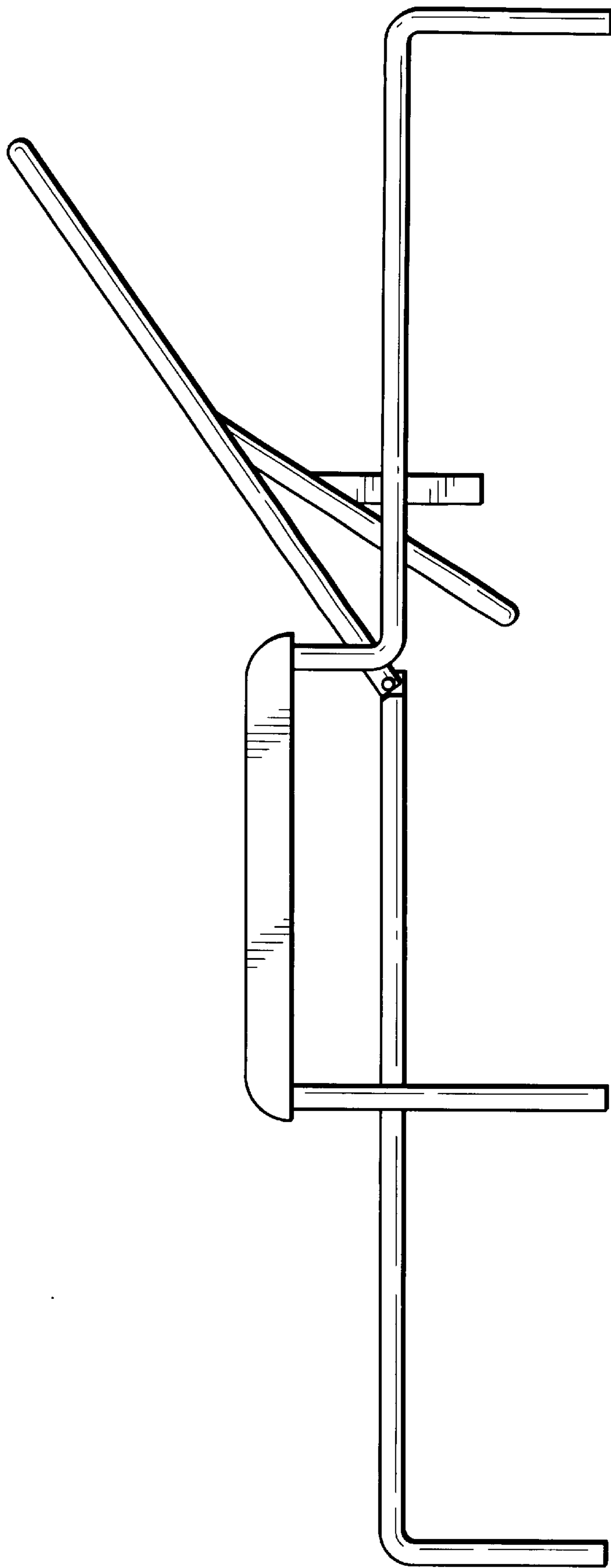


FIG. 6