



US00D450939B2

(12) **United States Design Patent**
Liu

(10) **Patent No.:** **US D450,939 S**

(45) **Date of Patent:** **** Nov. 27, 2001**

(54) **LEISURE ROCK CHAIRFRAME**

5,803,818 * 9/1998 Tseng 472/118
5,876,289 * 3/1999 Liu 472/118
5,957,780 * 9/1999 Grazioli 472/118

(76) Inventor: **Lausan Chung-Hsin Liu**, No. 243,
Chien-Kuo Rd., Hsin-Tien City, Taipei
Hsien (TW)

* cited by examiner

(**) Term: **14 Years**

Primary Examiner—Caron D. Veynar

Assistant Examiner—Mimosa De

(21) Appl. No.: **29/138,459**

(74) *Attorney, Agent, or Firm*—Bacon & Thomas, PLLC

(22) Filed: **Mar. 15, 2001**

(57) **CLAIM**

(51) **LOC (7) Cl.** **06-01**

The ornamental design for leisure rock chairframe, as shown and described.

(52) **U.S. Cl.** **D6/347**

(58) **Field of Search** D6/334, 335, 344,
D6/346, 347, 374, 375, 500–502; 297/273,
277, 280, 281, 232, 452.13, 452.19, 452.2;
472/118, 125

DESCRIPTION

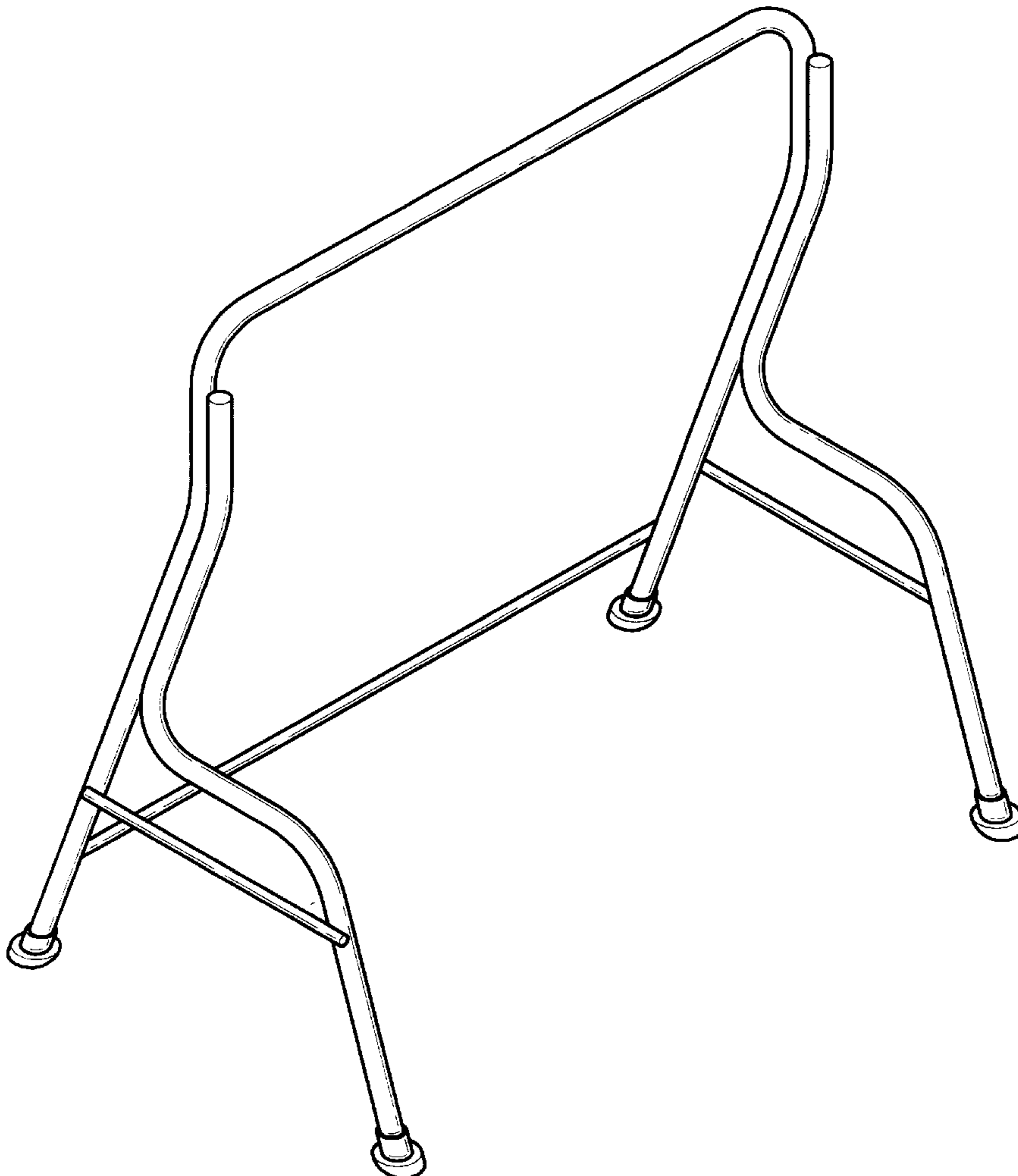
(56) **References Cited**

U.S. PATENT DOCUMENTS

D. 248,518 * 7/1978 Huff D6/347
D. 439,423 * 3/2001 Tseng D6/344
5,564,987 * 10/1996 Ayrolles 472/118

FIG. 1 is a perspective view of leisure rock chairframe showing our new design thereof;
FIG. 2 is a right side elevational view thereof;
FIG. 3 is a top plan view thereof;
FIG. 4 is a front elevational view thereof;
FIG. 5 is a bottom plan view thereof;
FIG. 6 is a left side elevational view thereof; and,
FIG. 7 is a rear elevational view thereof.

1 Claim, 7 Drawing Sheets



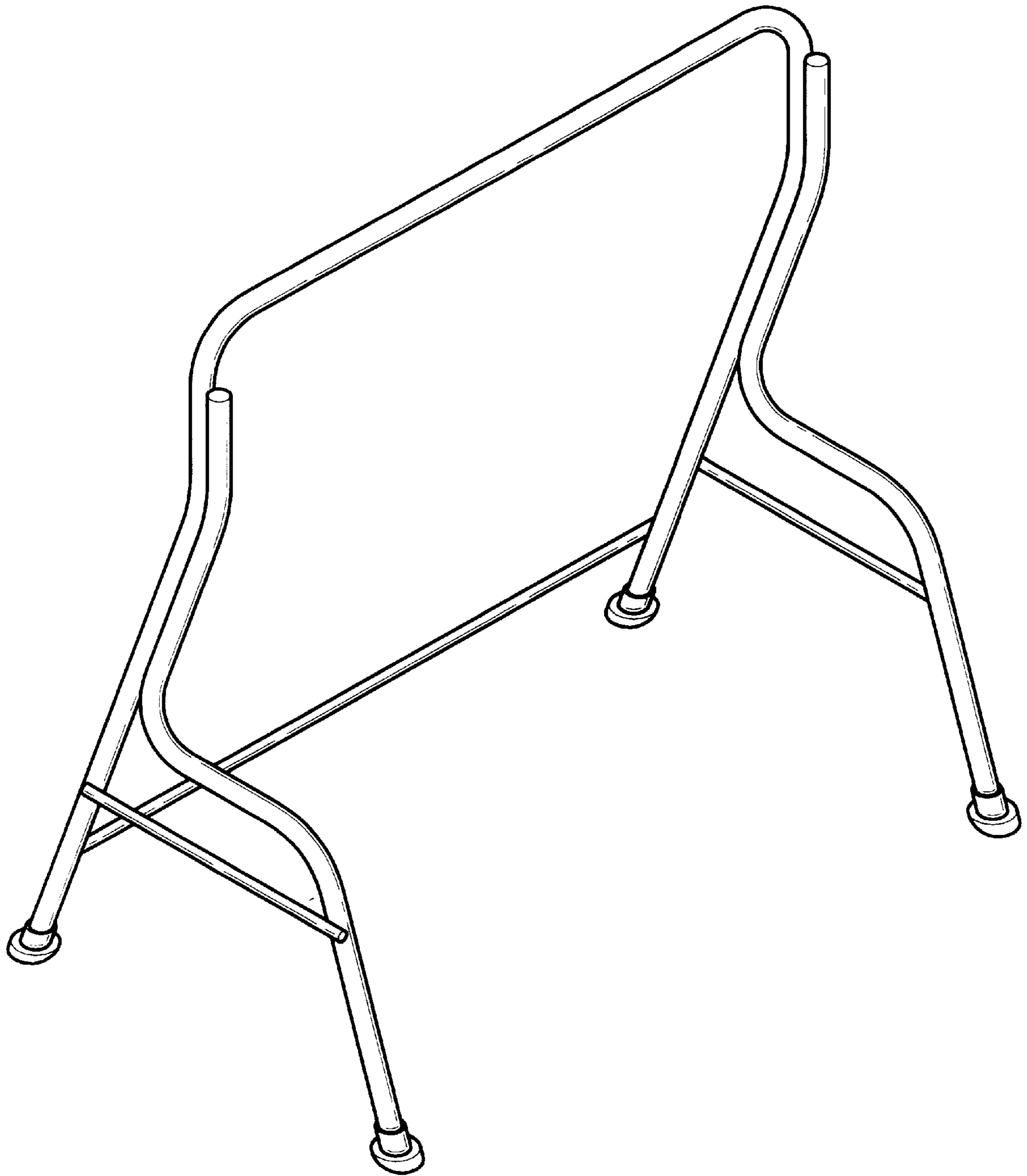


Fig. 1

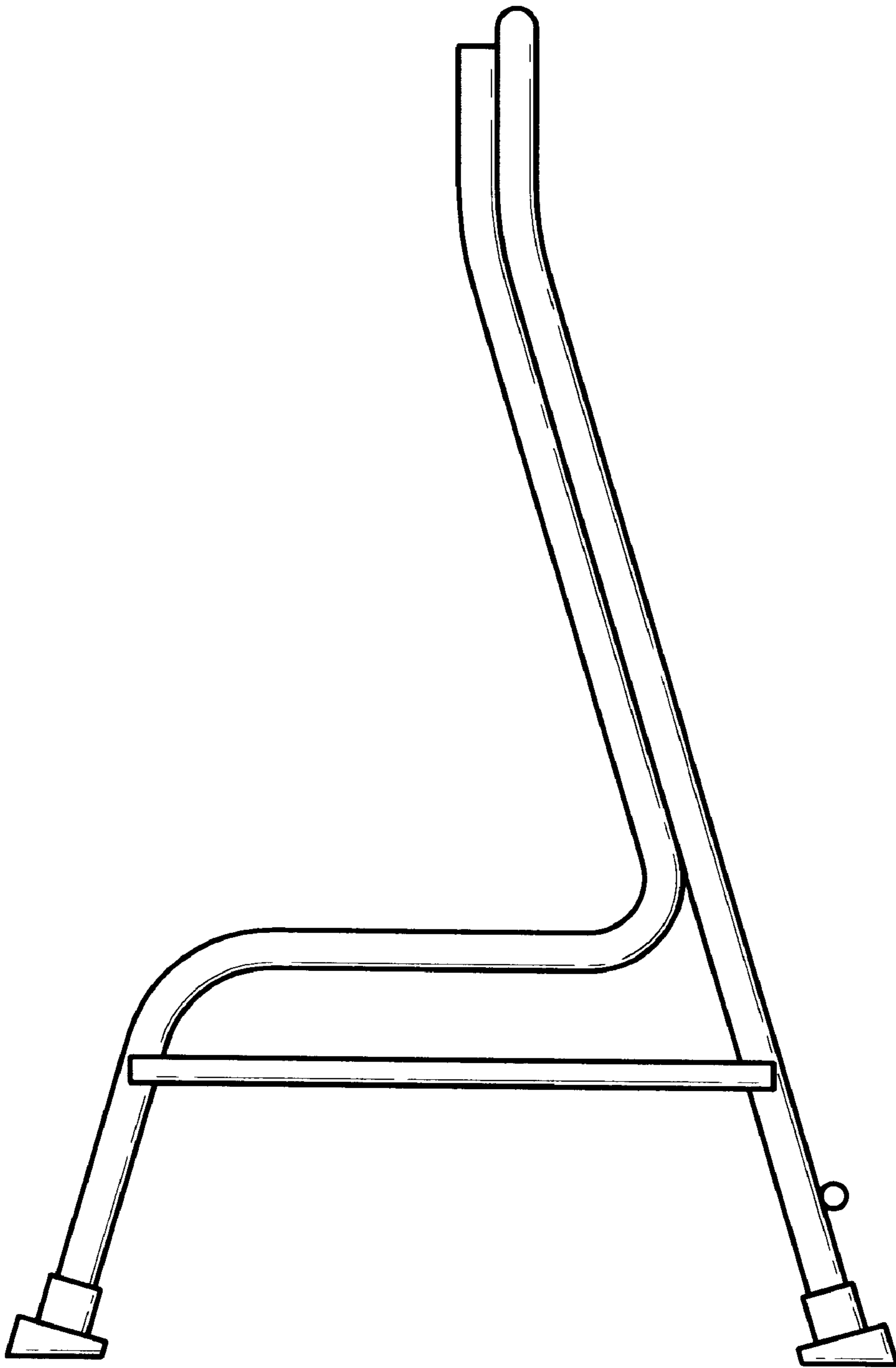


Fig. 2

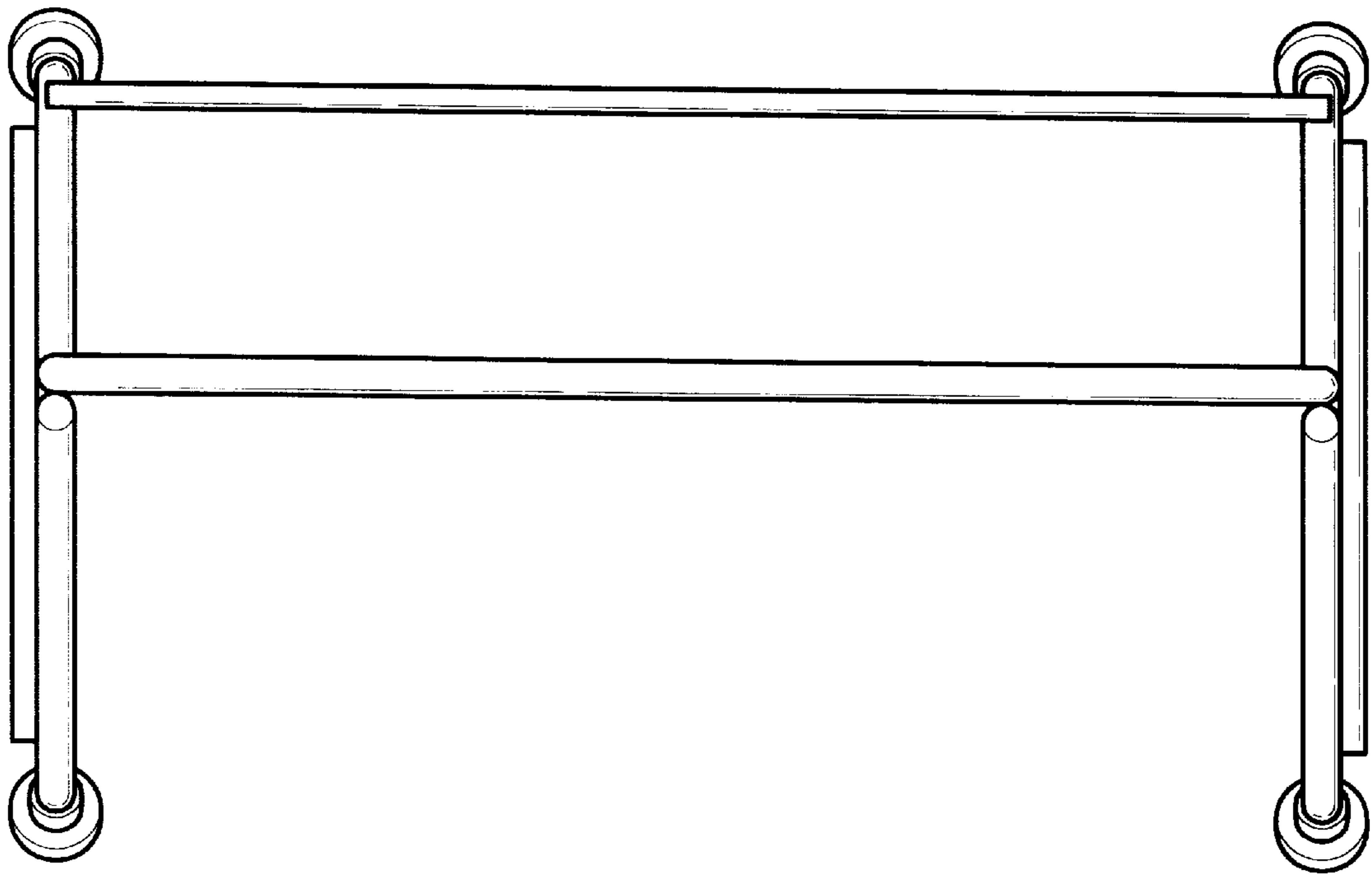


Fig.3

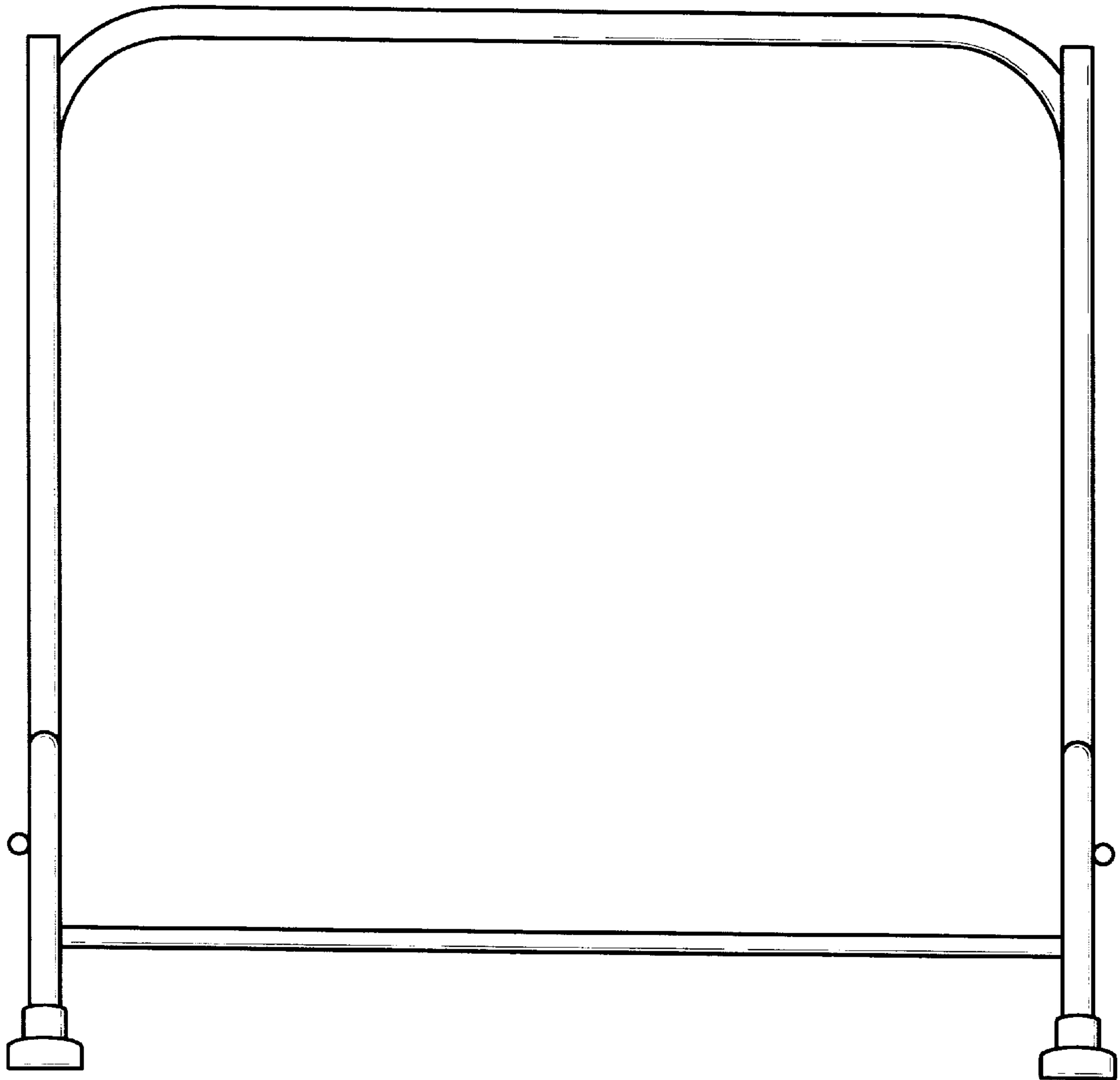


Fig.4



Fig.5

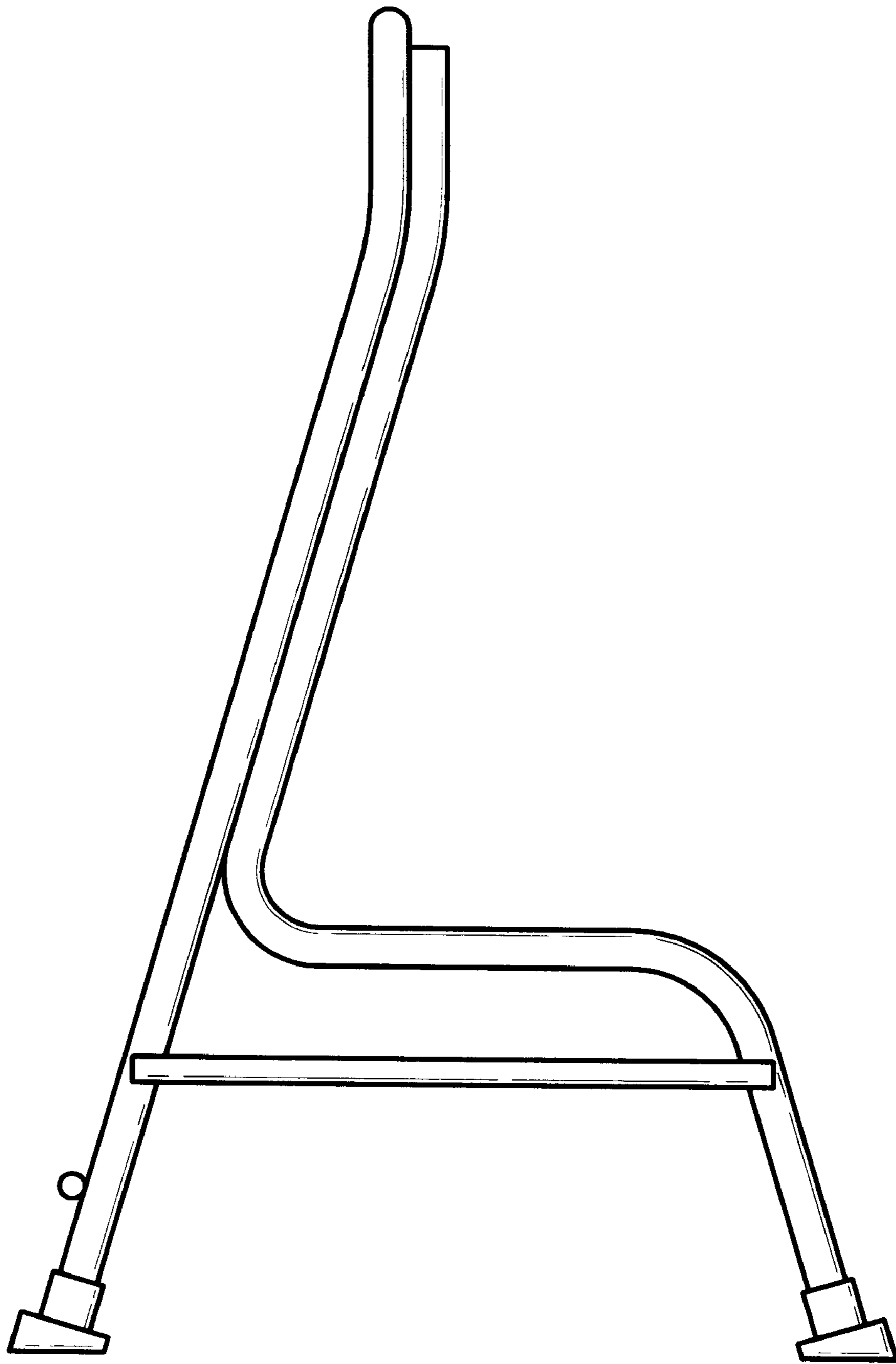


Fig. 6

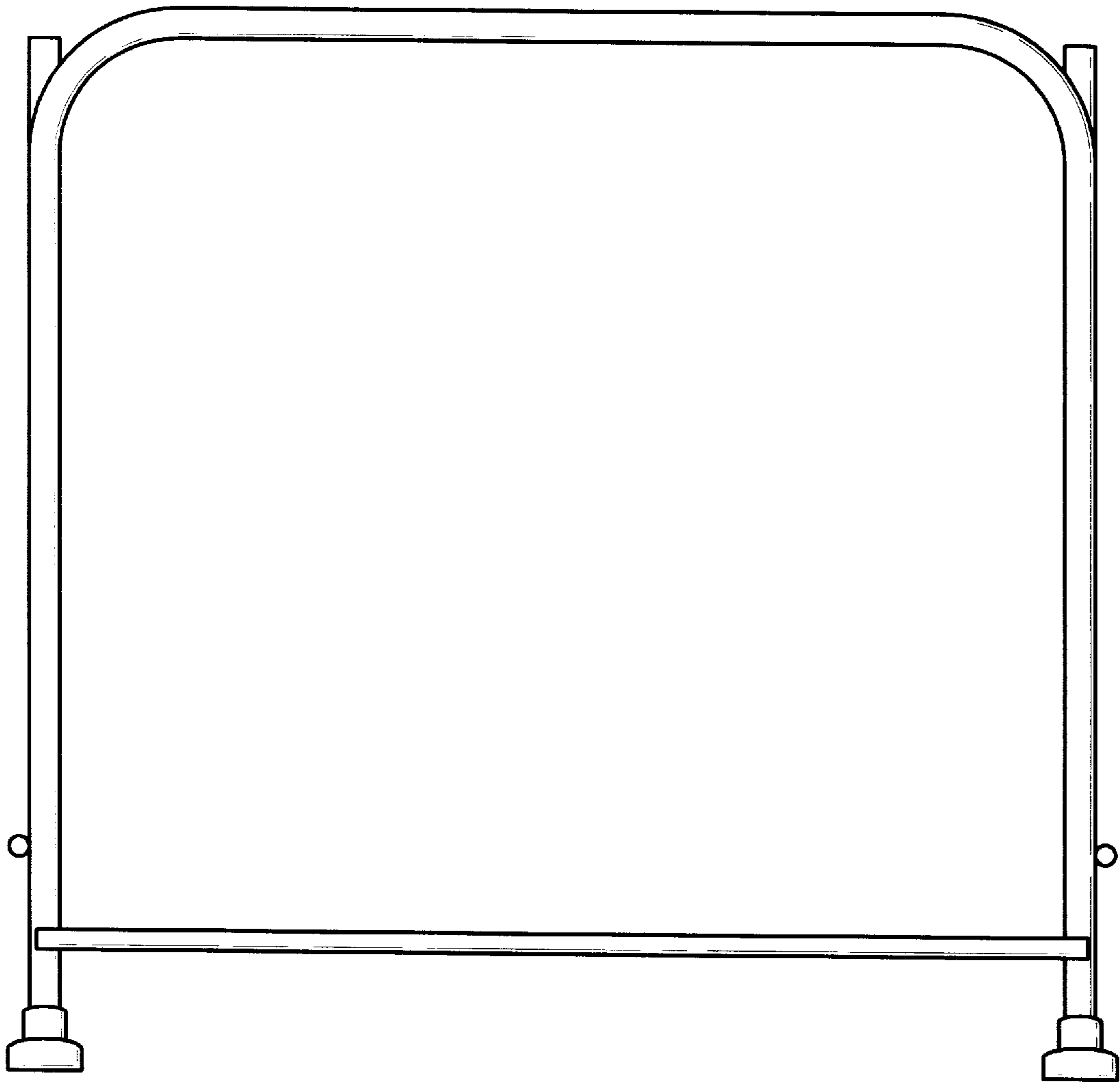


Fig. 7