



US00D450938B1

(12) **United States Design Patent**
Liu

(10) **Patent No.:** **US D450,938 S**

(45) **Date of Patent:** **** Nov. 27, 2001**

(54) **LEISURE ROCK CHAIRFRAME**

(76) Inventor: **Lausan Chung-Hsin Liu**, No. 243,
Chien-Kuo Rd., Hsin-Tien City, Taipei
Hsien (TW)

(**) Term: **14 Years**

(21) Appl. No.: **29/138,458**

(22) Filed: **Mar. 15, 2001**

(51) **LOC (7) Cl.** **06-01**

(52) **U.S. Cl.** **D6/347**

(58) **Field of Search** D6/334, 335, 344,
D6/346, 347, 374, 375, 500-502; 297/273,
277, 280, 281, 232, 452.13, 452.19, 452.2;
472/118, 125

(56) **References Cited**

U.S. PATENT DOCUMENTS

D. 396,564	*	8/1998	Tseng	D6/347
D. 417,791	*	12/1999	Liu	D6/347
D. 423,802	*	5/2000	Tseng	D6/347
D. 439,423	*	3/2001	Tseng	D6/344
D. 440,057	*	4/2001	Tseng	D6/344
5,803,818	*	9/1998	Tseng	472/118

* cited by examiner

Primary Examiner—Caron D. Veynar

Assistant Examiner—Mimosa De

(74) *Attorney, Agent, or Firm*—Bacon & Thomas, PLLC

(57) **CLAIM**

The ornamental design for leisure rock chairframe, as shown and described.

DESCRIPTION

FIG. 1 is a perspective view of leisure rock chairframe showing our new design thereof;

FIG. 2 is a right side elevational view thereof;

FIG. 3 is a top plan view thereof;

FIG. 4 is a front elevational view thereof;

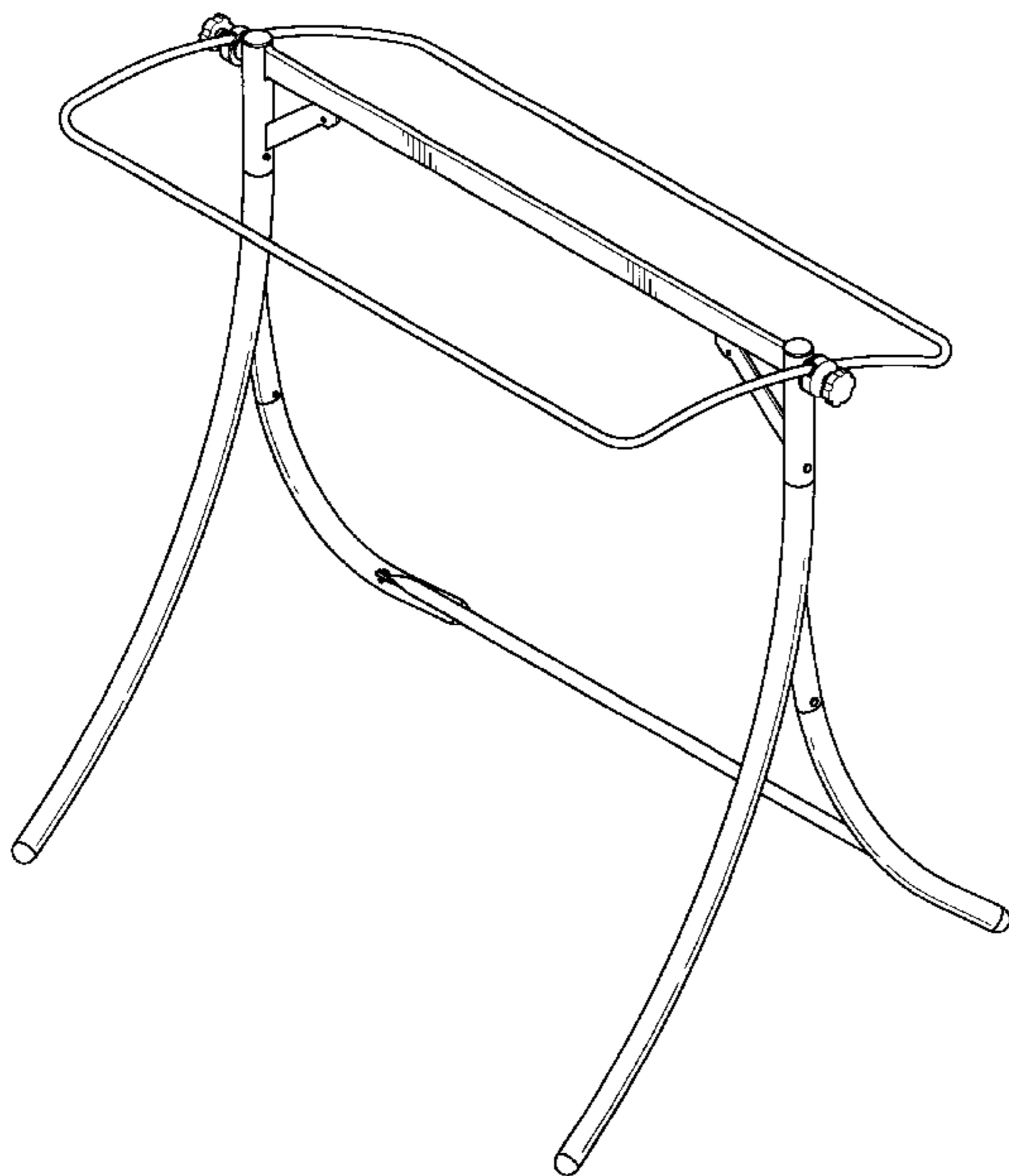
FIG. 5 is a bottom plan view thereof;

FIG. 6 is a left side elevational view thereof;

FIG. 7 is a rear elevational view thereof; and,

FIG. 8 is a perspective view in used condition, the broken line showing of the canopy and the seat cushions is for illustrative purposes only and forms no part of the claimed design.

1 Claim, 8 Drawing Sheets



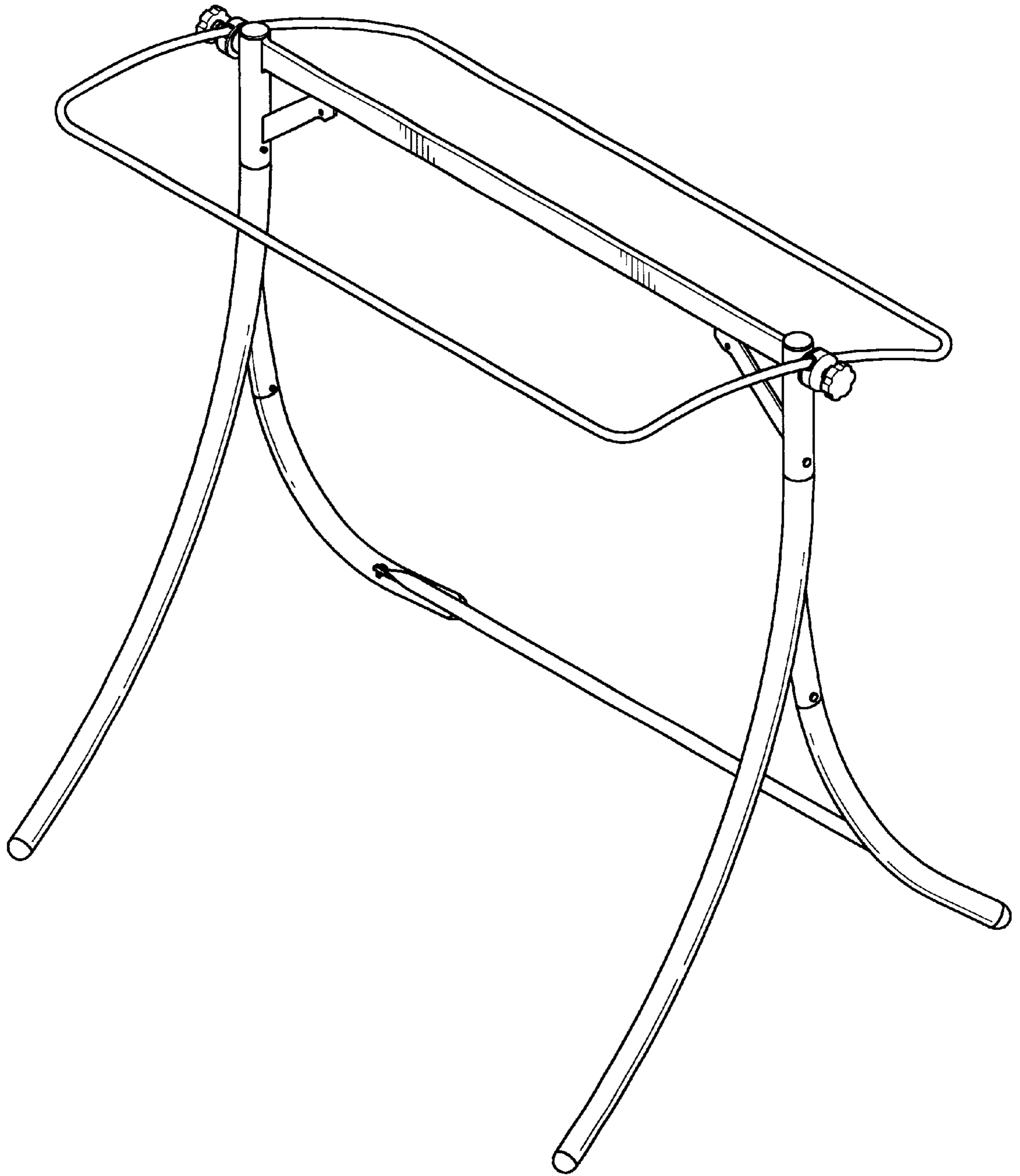


Fig. 1

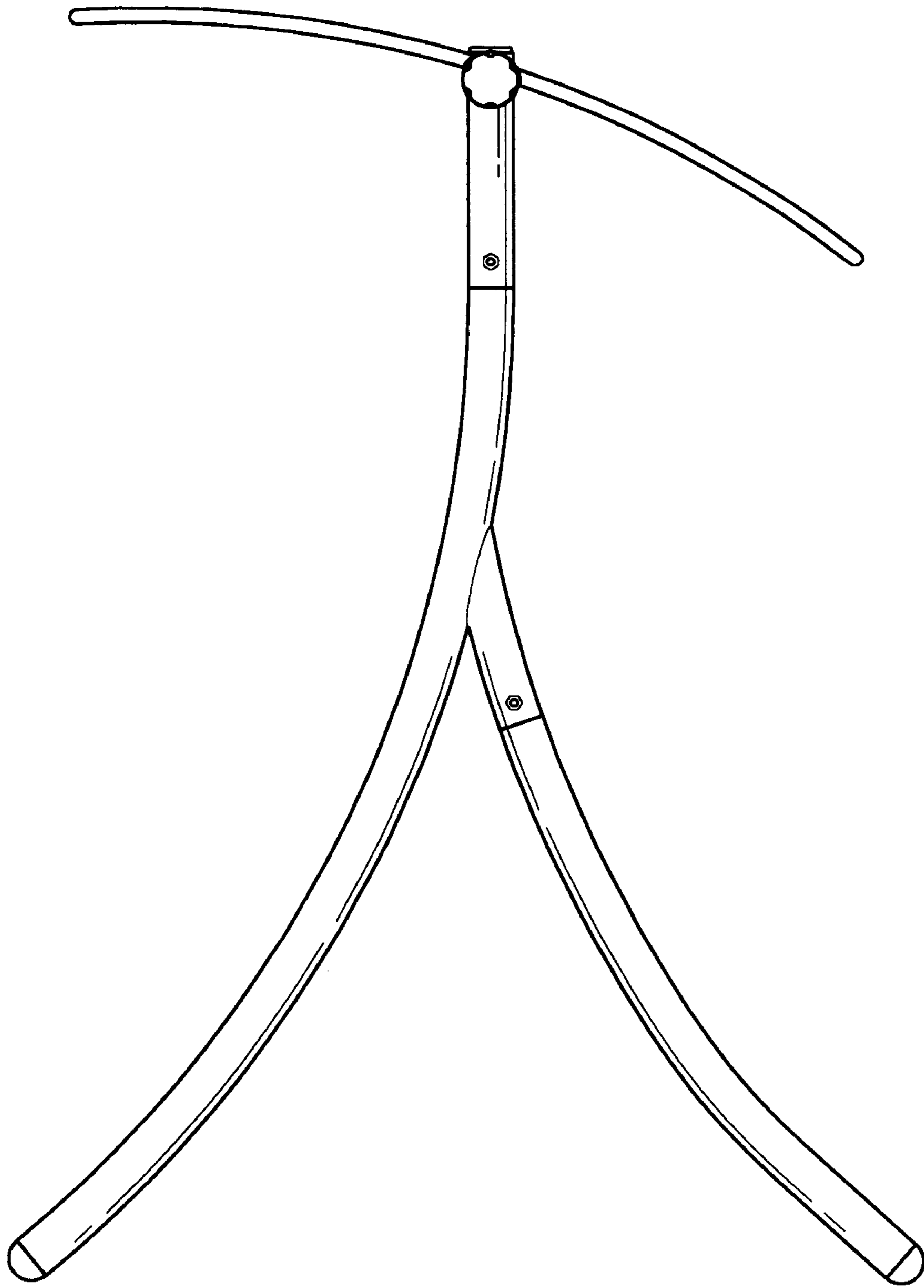


Fig. 2

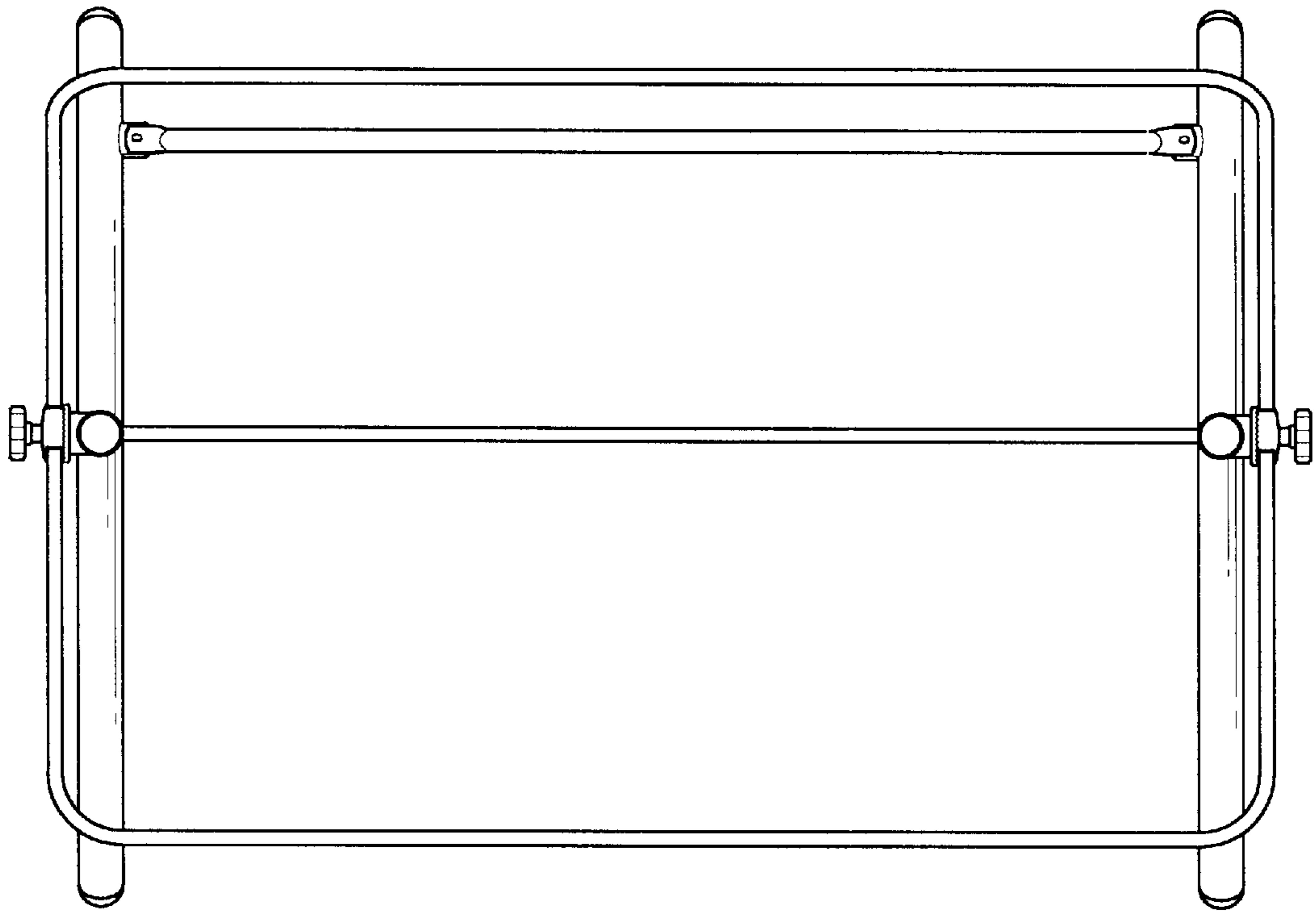


Fig. 3

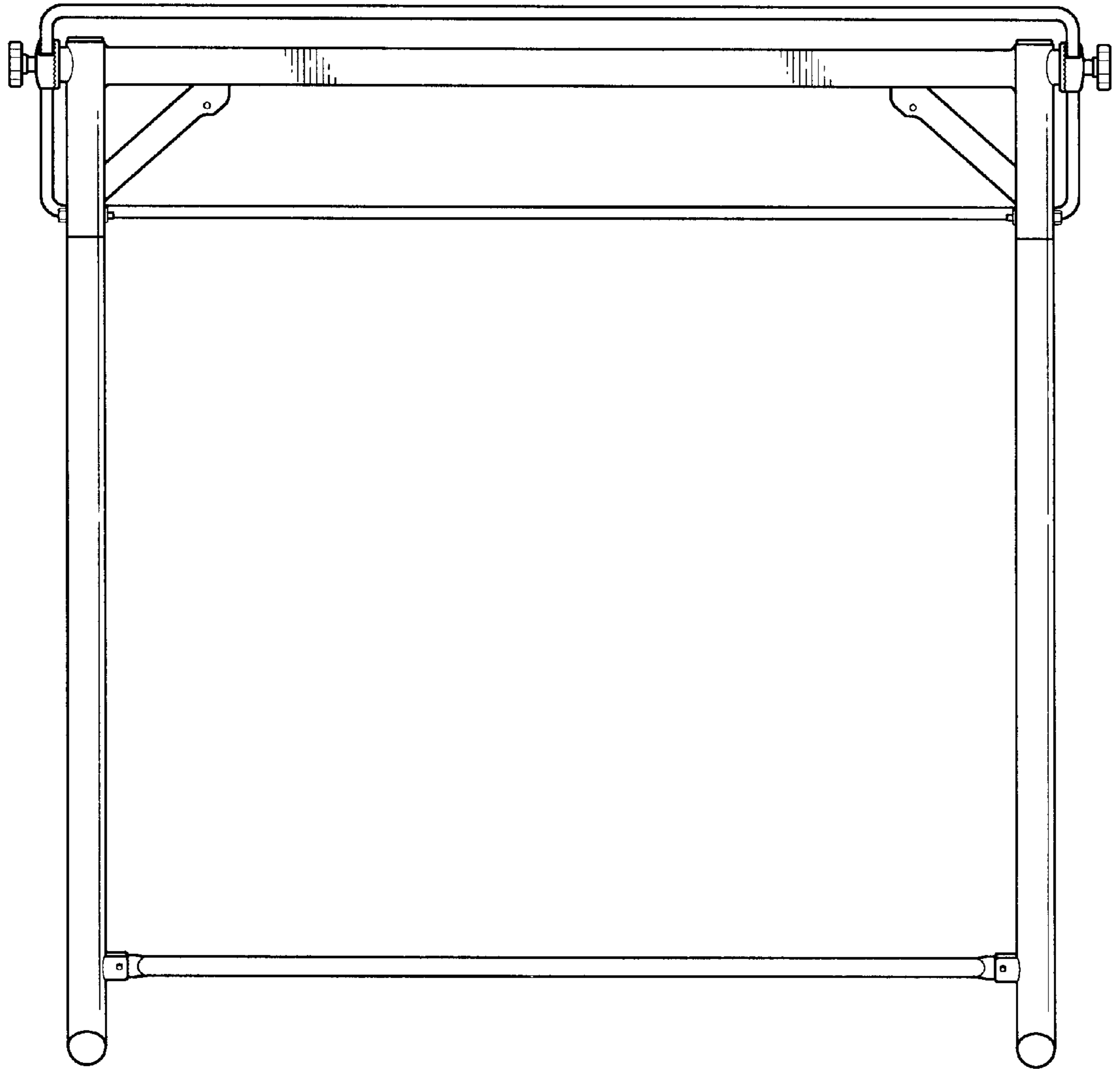


Fig. 4

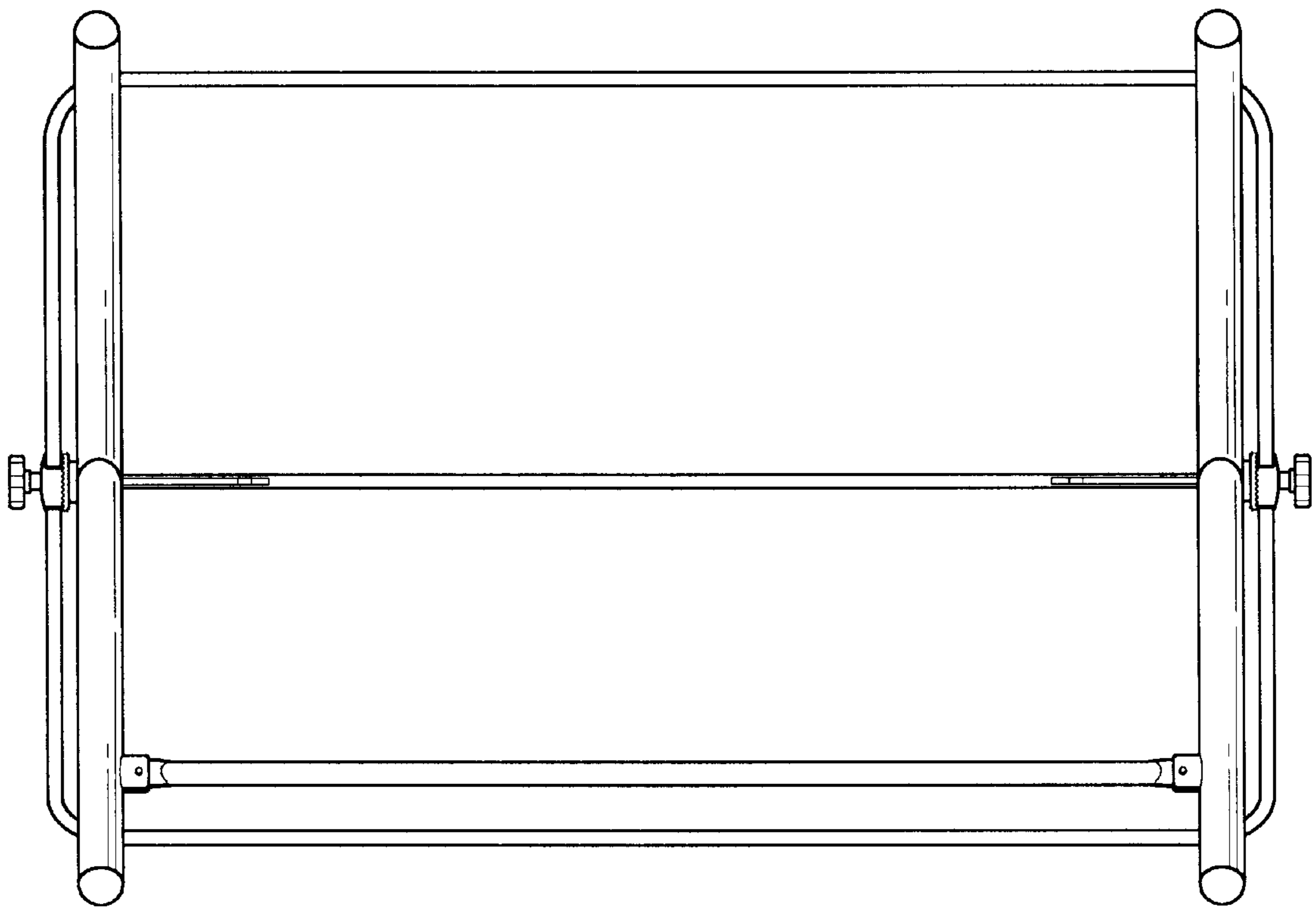


Fig. 5

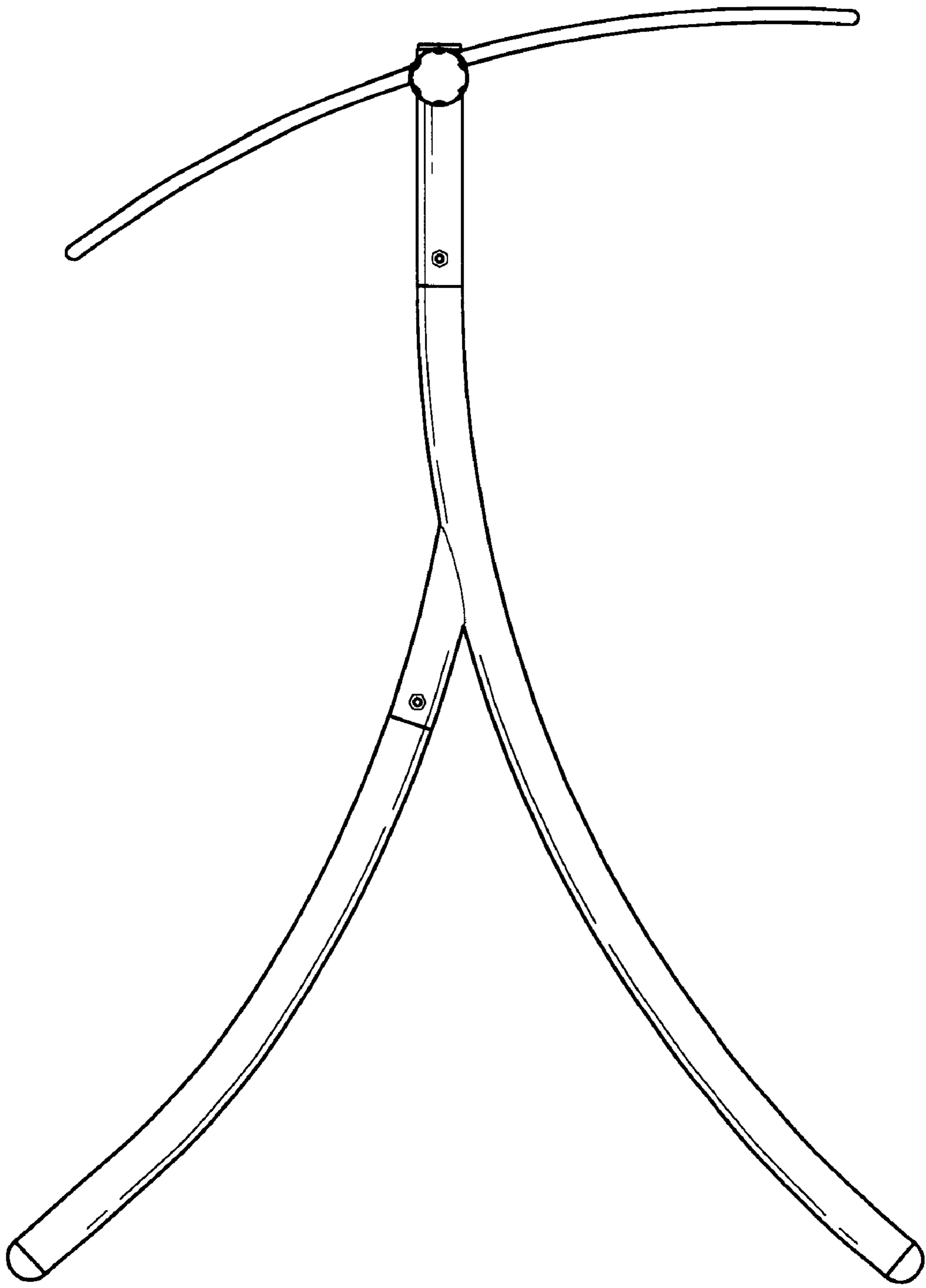


Fig. 6

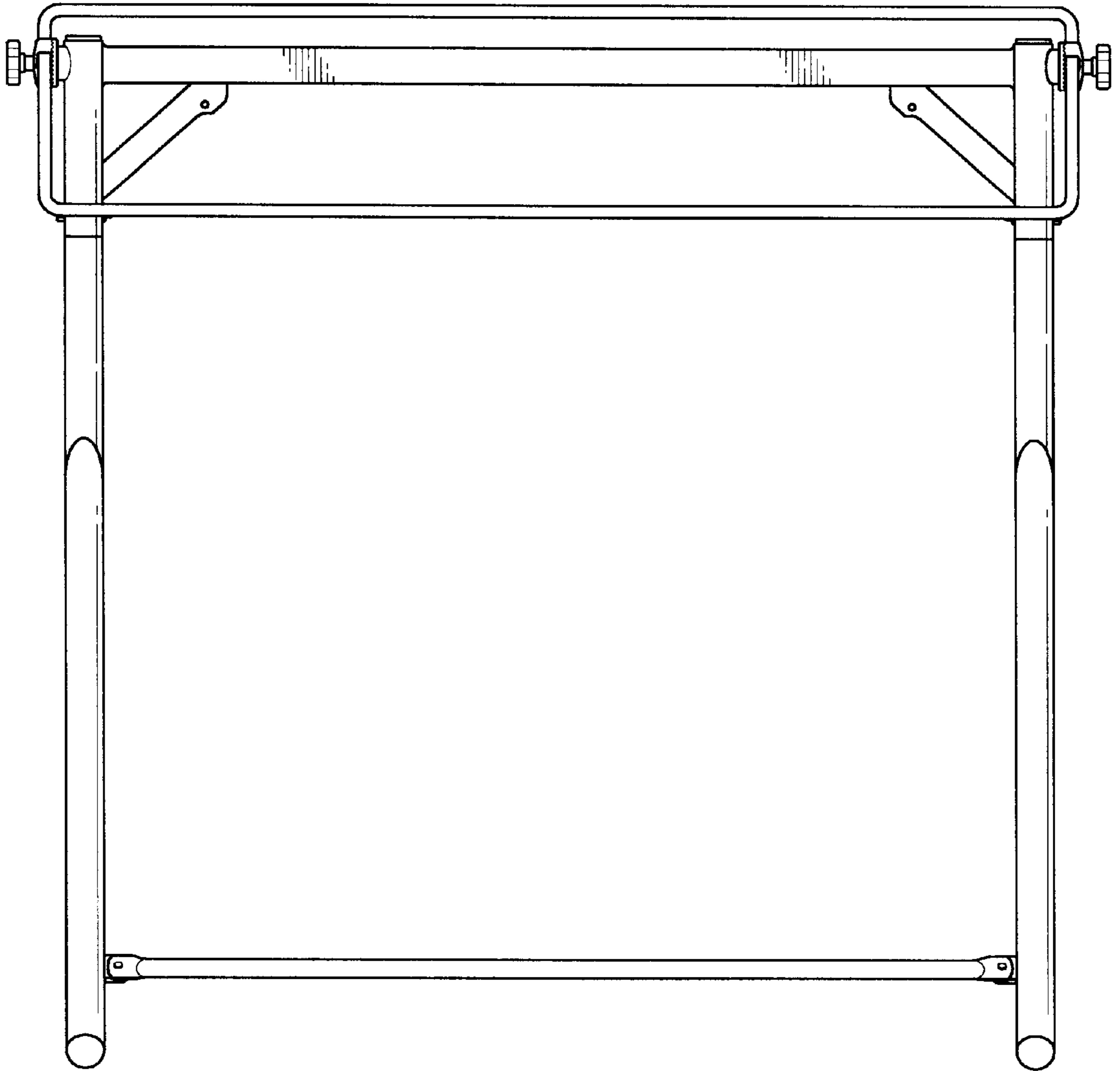


Fig. 7



Fig. 8