



US00D450937B1

(12) **United States Design Patent**
Pomeroy et al.

(10) **Patent No.:** **US D450,937 S**

(45) **Date of Patent:** **** Nov. 27, 2001**

- (54) **TETE-A-TETE GLIDER CHAIRS**
- (75) Inventors: **Charles Pomeroy; John T. Bycraft,**
both of South Bend, IN (US)
- (73) Assignee: **Jack-Post Corporation,** Buchanan, MI
(US)
- (**) Term: **14 Years**
- (21) Appl. No.: **29/139,292**
- (22) Filed: **Mar. 28, 2001**
- (51) **LOC (7) Cl.** **06-01**
- (52) **U.S. Cl.** **D6/344**
- (58) **Field of Search** D6/334, 336, 344,
D6/345, 347, 370, 369, 371-373, 379, 380,
381, 500-502; 297/273, 232, 280, 281,
283, 171, 411.42, 411.44, 452.63, 135

(56) **References Cited**

U.S. PATENT DOCUMENTS

D. 92,012	4/1934	McGowen .	
D. 98,065	1/1936	Hardy .	
D. 99,375	4/1936	Spangler .	
D. 99,530	5/1936	Spencer .	
D. 103,956	4/1937	Rink .	
D. 110,560	7/1938	Goldberg .	
D. 121,462	7/1940	Tabb .	
D. 135,777	6/1943	Smith .	
D. 141,705	6/1945	Slaughter	D15/11
D. 149,900	6/1948	Mock	D15/11
D. 153,162	3/1949	Nelems	D15/11
D. 154,356	7/1949	Allmand	D15/1
D. 165,835	2/1952	Glass	D15/11
D. 256,744	9/1980	Mark	D6/69
D. 257,653	12/1980	Berlic	D6/177
D. 259,308	5/1981	Sroub	D6/52
D. 263,908	4/1982	Imber	D6/146
D. 265,952	8/1982	Theodore	D6/45
D. 281,376	11/1985	Gregory, III	D6/344
D. 281,378	11/1985	Parker	D6/379
D. 290,911	7/1987	Pomeroy et al.	D6/347
D. 296,272	6/1988	Colby	D6/347

D. 298,490	11/1988	Pomeroy et al.	D6/347
D. 306,530	3/1990	Vanderminden	D6/347
D. 307,361	4/1990	Pomeroy et al.	D6/347

(List continued on next page.)

OTHER PUBLICATIONS

- 1987 Jack-Post Catalog: Outdoor Furniture/Outdoor Products.
- 1988 Jack-Post Catalog: Outdoor Furniture/Outdoor Products/Building Products.
- 1989 Jack-Post Catalog: Outdoor Furniture/Outdoor Products/Building Products.
- 1990 Iron Mountain Catalog: Fine Outdoor and Patio Furniture; Iron Mountain.
- 1991 Jack-Post Catalog: Outdoor Furniture/Outdoor Products/Building Products.
- 1992 Jack-Post Catalog: Outdoor Furniture/Outdoor Products/Building Products.
- Leaflet: Grand Isle LGL-51HBZ Traditional High Back Glider and LGL-51Z Glider; Cardinal Home Products of Cleveland, Ohio; date unknown undated.

(List continued on next page.)

Primary Examiner—Caron D. Veynar
Assistant Examiner—Mimosa De
 (74) *Attorney, Agent, or Firm*—Jenkins & Gilchrist

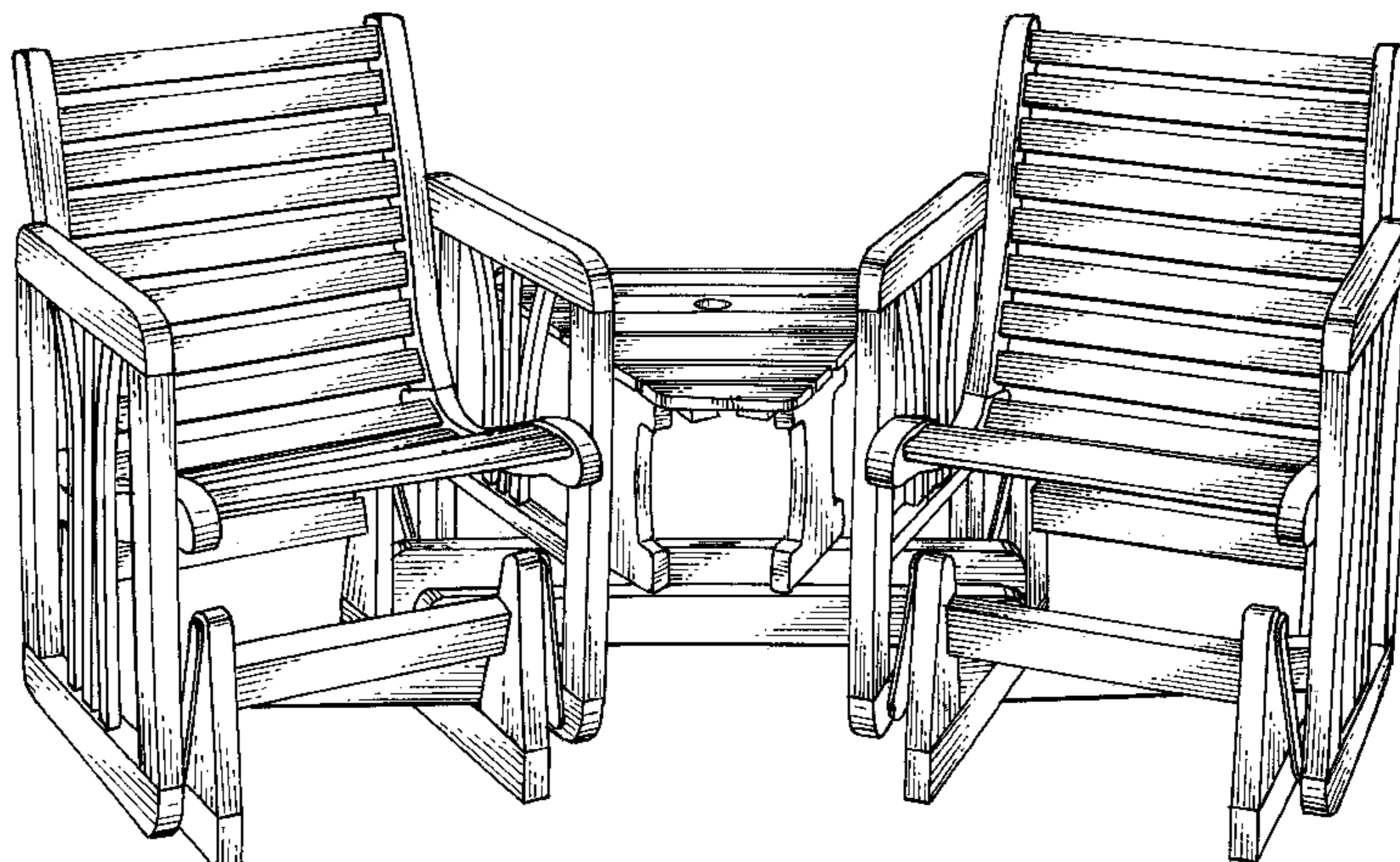
(57) **CLAIM**

The ornamental design for tete-a-tete glider chairs, as shown and described.

DESCRIPTION

FIG. 1 is a front perspective view of the tete-a-tete glider chairs showing our new design;
 FIG. 2 is a top plan view; and
 FIG. 3 is a bottom plan view thereof.
 FIG. 4 is a front elevational view;
 FIG. 5 is a rear elevational view; and,
 FIG. 6 is an end elevational view, the other end elevational view is a mirror image.

1 Claim, 6 Drawing Sheets



U.S. PATENT DOCUMENTS

D. 307,362	4/1990	Pomeroy et al.	D6/347
D. 307,363	4/1990	Pomeroy et al.	D6/347
D. 307,523	5/1990	Pomeroy et al.	D6/347
D. 310,604	9/1990	Pomeroy et al.	D6/347
D. 325,823	5/1992	Pomeroy et al.	D6/335
D. 327,584	7/1992	Braxton, III	D6/347
D. 328,197	7/1992	Braxton, III	D6/347
D. 334,485	4/1993	Pomeroy et al.	D6/344
D. 338,563	8/1993	Chiang	D6/344
D. 341,037	11/1993	Pomeroy et al.	D6/370
D. 349,818	8/1994	Noll	D6/344
D. 350,855	9/1994	Pomeroy et al.	D6/344
D. 361,673 *	8/1995	Pomeroy et al.	D6/344
D. 362,349	9/1995	Pomeroy et al.	D6/344
D. 365,692	1/1996	Pomeroy et al.	D6/344
D. 400,720	11/1998	Pomeroy et al.	D6/344
D. 401,090	11/1998	Pomeroy et al.	D6/500
D. 410,340	6/1999	Pomeroy et al.	D6/344
D. 417,559	12/1999	Pomeroy et al.	D6/344
D. 430,743 *	9/2000	Pomeroy et al.	D6/336
D. 432,323	10/2000	Pomeroy et al.	D6/344
D. 443,425	6/2001	Pomeroy et al.	D6/344
2,567,612	9/1951	McGehee	155/61
3,078,101	2/1963	Reese	280/30
4,919,480	4/1990	Drew, III	297/244
5,667,273	9/1997	Noll	297/171

OTHER PUBLICATIONS

Leaflet: Grand Isle LGL-48JHBG High Back Glider-Premium; Cardinal Home Products of Cleveland, Ohio undated.
 Leaflet: Grand Isle LGL-22JHBG High Back Glider Chair; Cardinal Home Products of Cleveland, Ohio undated.
 Leaflet: Grand Isle LGL-22Z Glider Chair; Cardinal Home Products of Cleveland, Ohio undated.
 Leaflet: Grand Isle LGL-44TV Glider and LGL-44V Glider; Cardinal Home Products of Cleveland, Ohio undated.
 Leaflet: Grand Isle LGL-48TZ Deluxe Glider With Side Tables and LGL-48Z Deluxe Glider; Cardinal Home Products of Cleveland, Ohio undated.
 Leaflet: Grand Isle LGL-60TV 6' Glider and LGL-60V 6' Glider; Cardinal Home Products of Cleveland, Ohio undated.

Leaflet: Mountaineer Outdoor Furniture; Iron Mountain Forge; date Mar. 9, 1986.
 Leaflet: Sunstar Double Glider undated.
 Leaflet: Sunstar Single Glider undated.
 Catalog: Lauan Mahogany Furniture; Cardinal American of Bedford Hts., Ohio; 1985.
 Assembly Instructions for Your New Glider; C&H Houston Inc. of Houston, Texas undated.
 Leaflet: 801106 5 ft. Glider; Flanders Industries, Inc. of Fort Smith, Arkansas undated.
 Leaflet: Glider; Oakwood Manufacturing, Inc. of Oxford, Michigan undated.
 Leaflet: Glider; Iron Mountain Forge of Farmington, Missouri undated.
 Leaflet: Product of American Handcrafted Indoor Outdoor Furniture; Ozark Wood Products, Inc. of Chicago, Illinois undated.
 Leaflet: Product of American Handcrafted Indoor Outdoor Furniture; Ozark Wood Products, Inc. of Chicago, Illinois undated.
 Leaflet: Glider; Behlen Mfg. Co. of Columbus, Nebraska undated.
 Leaflet: Chair Gliders; Behlen Mfg. Co. of Columbus, Nebraska undated.
 1990 Jack-Post Catalog: Outdoor Furniture/Outdoor Products.
 1993 Jack-Post Catalog: Outdoor Furniture/Outdoor Products/Building Products.
 1994 Jack-Post Catalog: Thirtieth Anniversary.
 1995 Jack-Post Catalog: Outdoor Furniture/Outdoor Products/Building Products.
 Flanders Industries, Inc. Royal Park Outdoor Furniture Glider from late 1980's.
 2000 Jack-Post Furniture Products Catalog pp. 2, 3, 4, 6.
 Leaflet: Holiday Club™ Patio Furniture Kits undated.

* cited by examiner

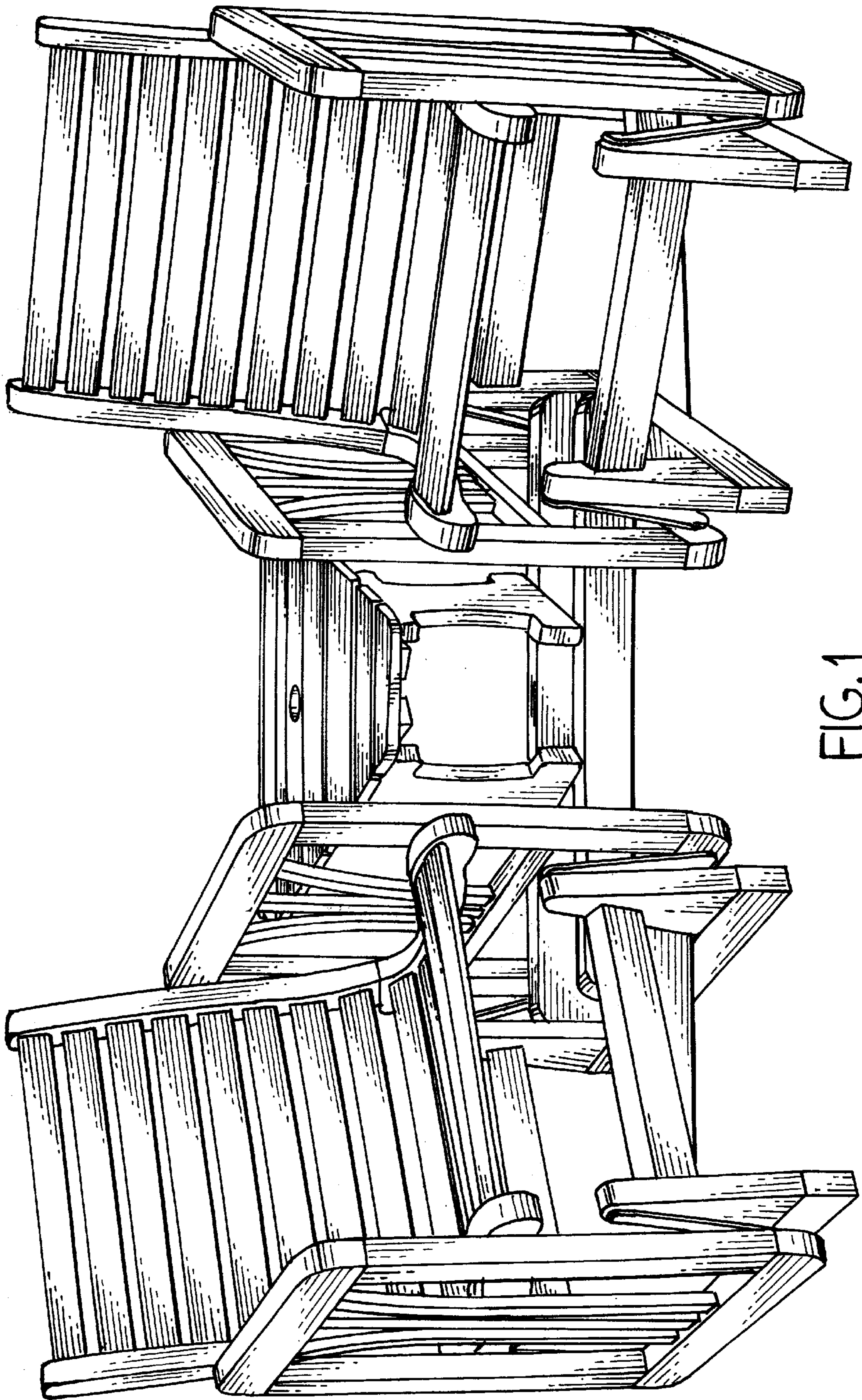


FIG. 1

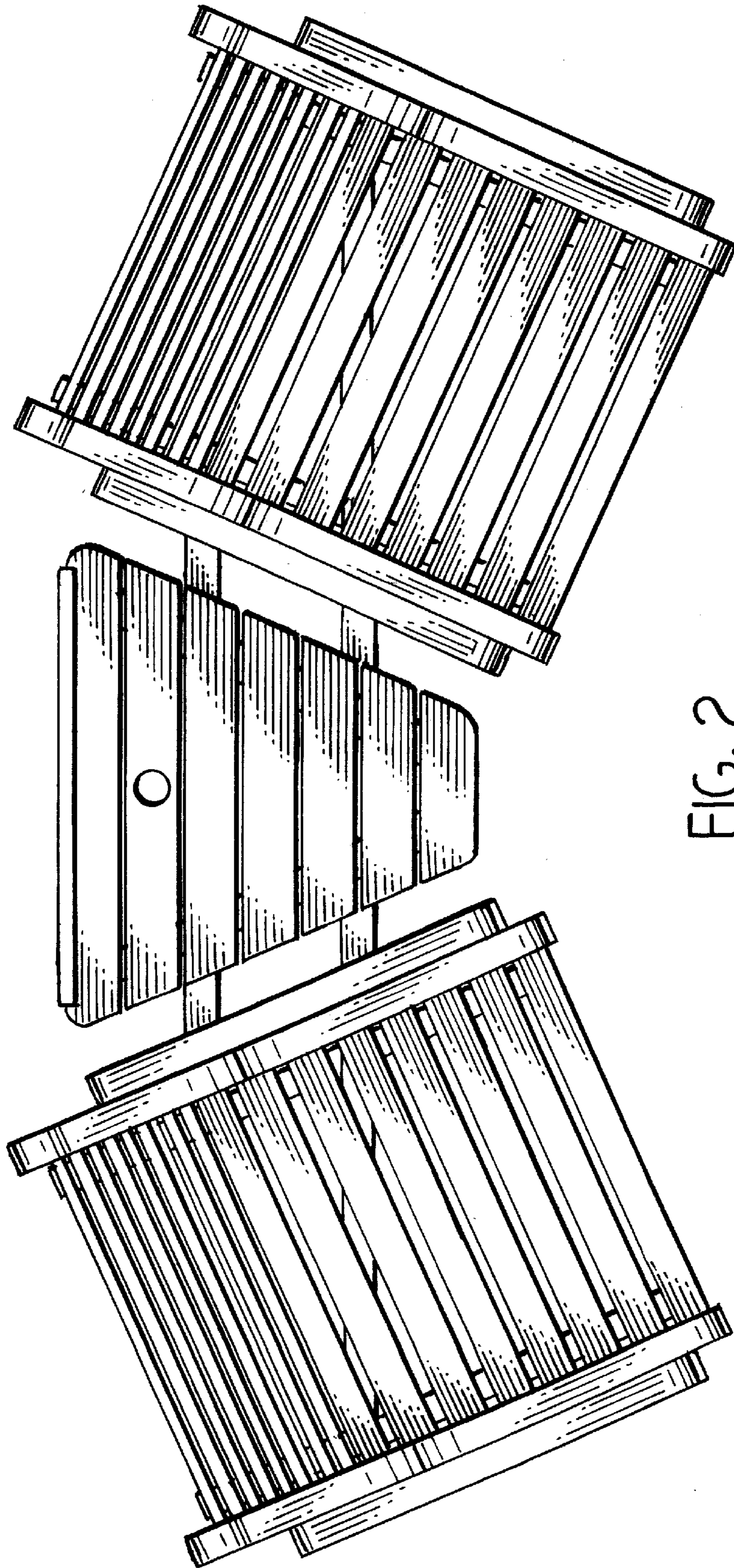


FIG. 2

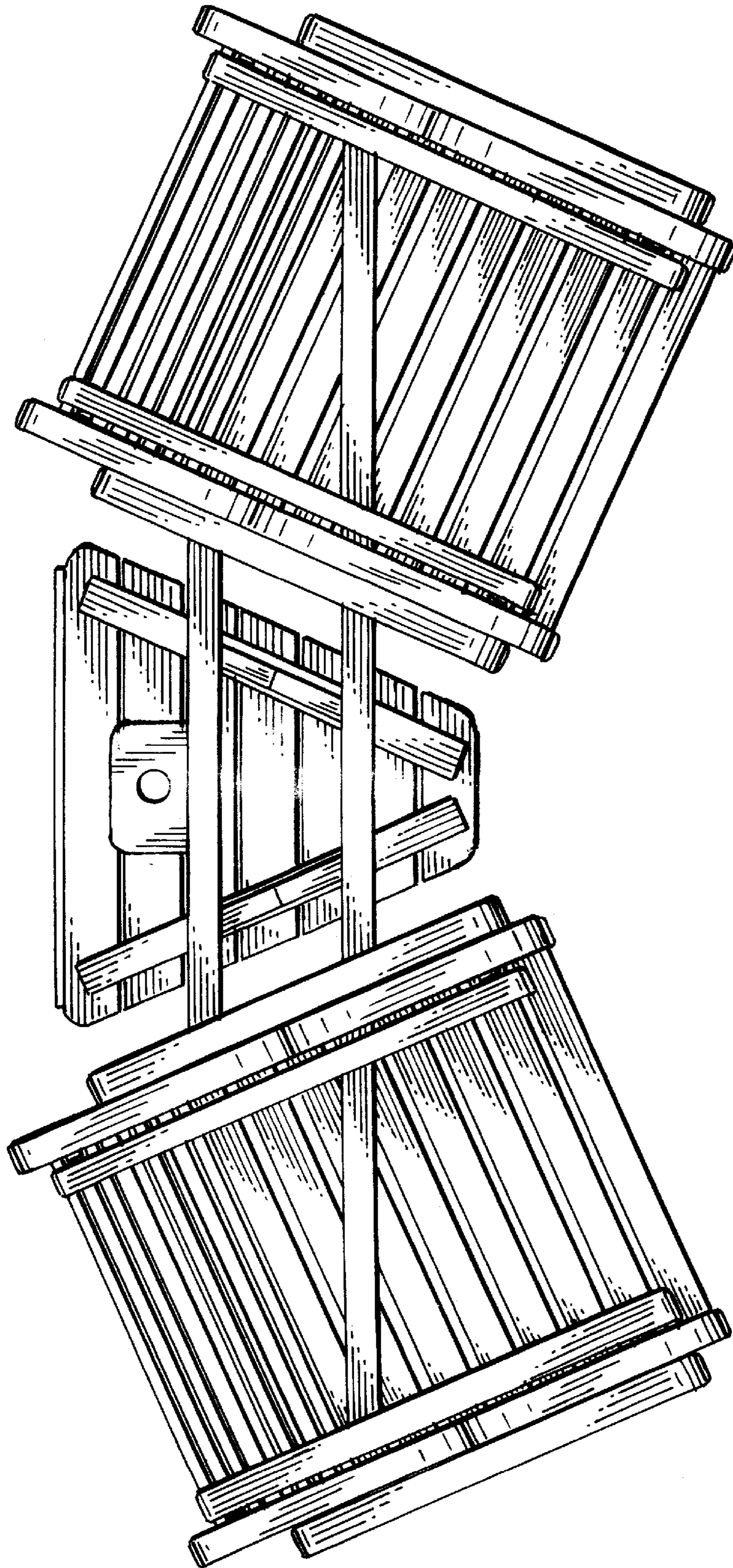


FIG. 3

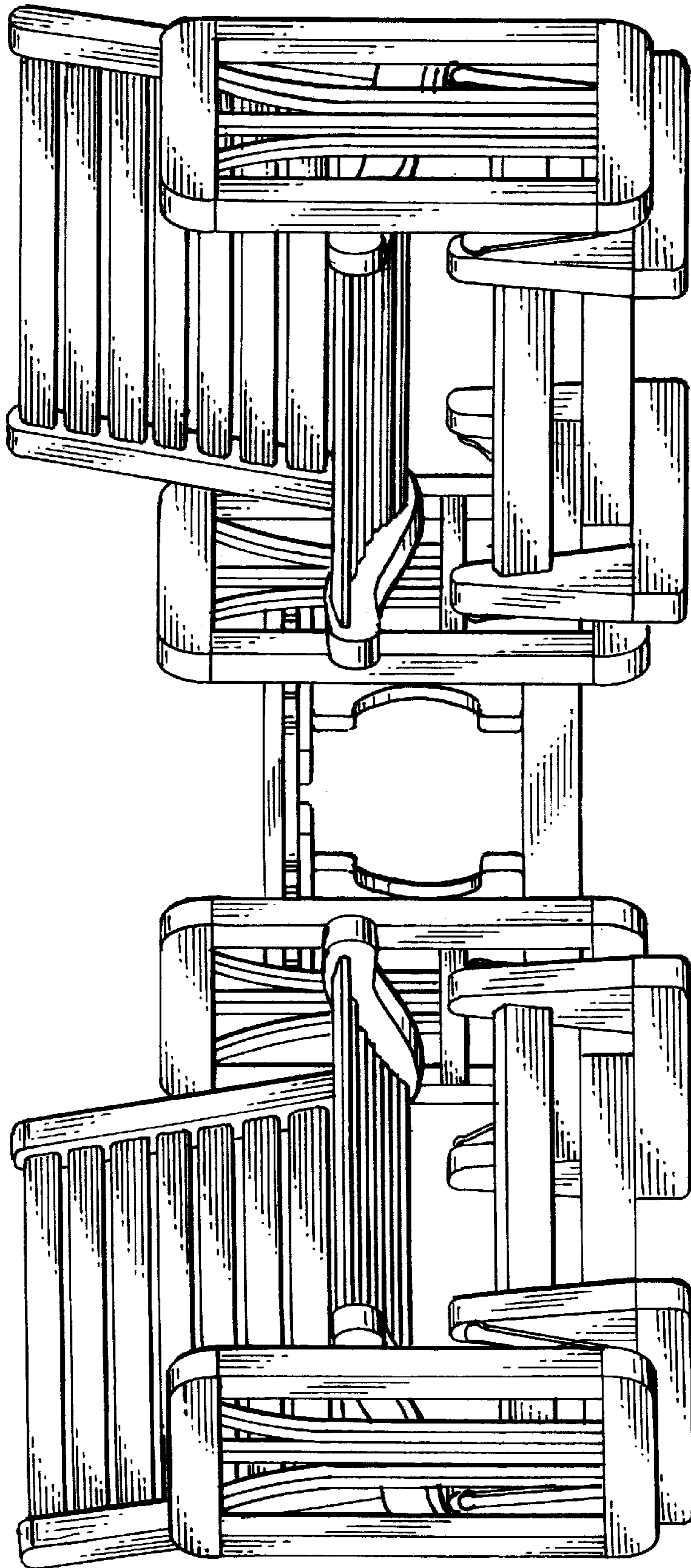


FIG. 4

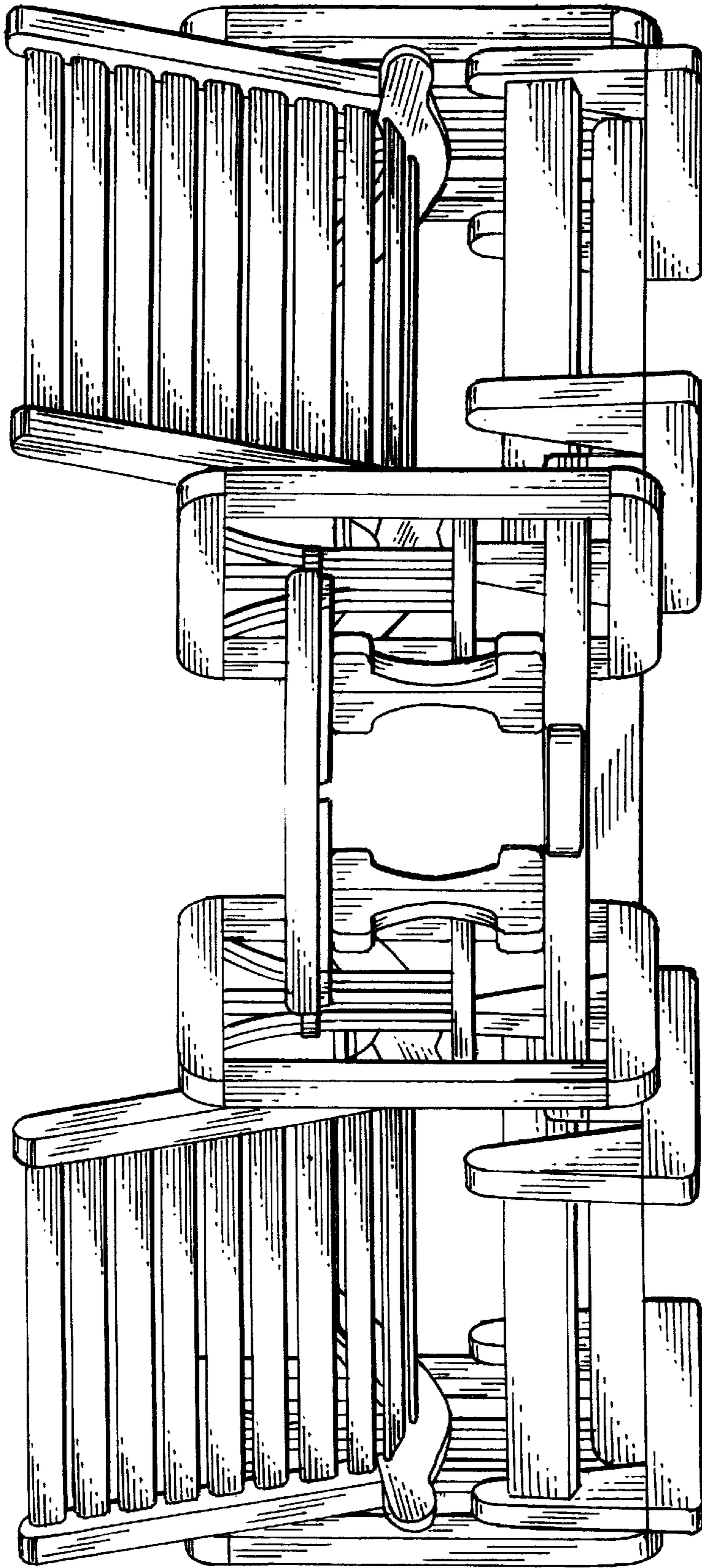


FIG. 5

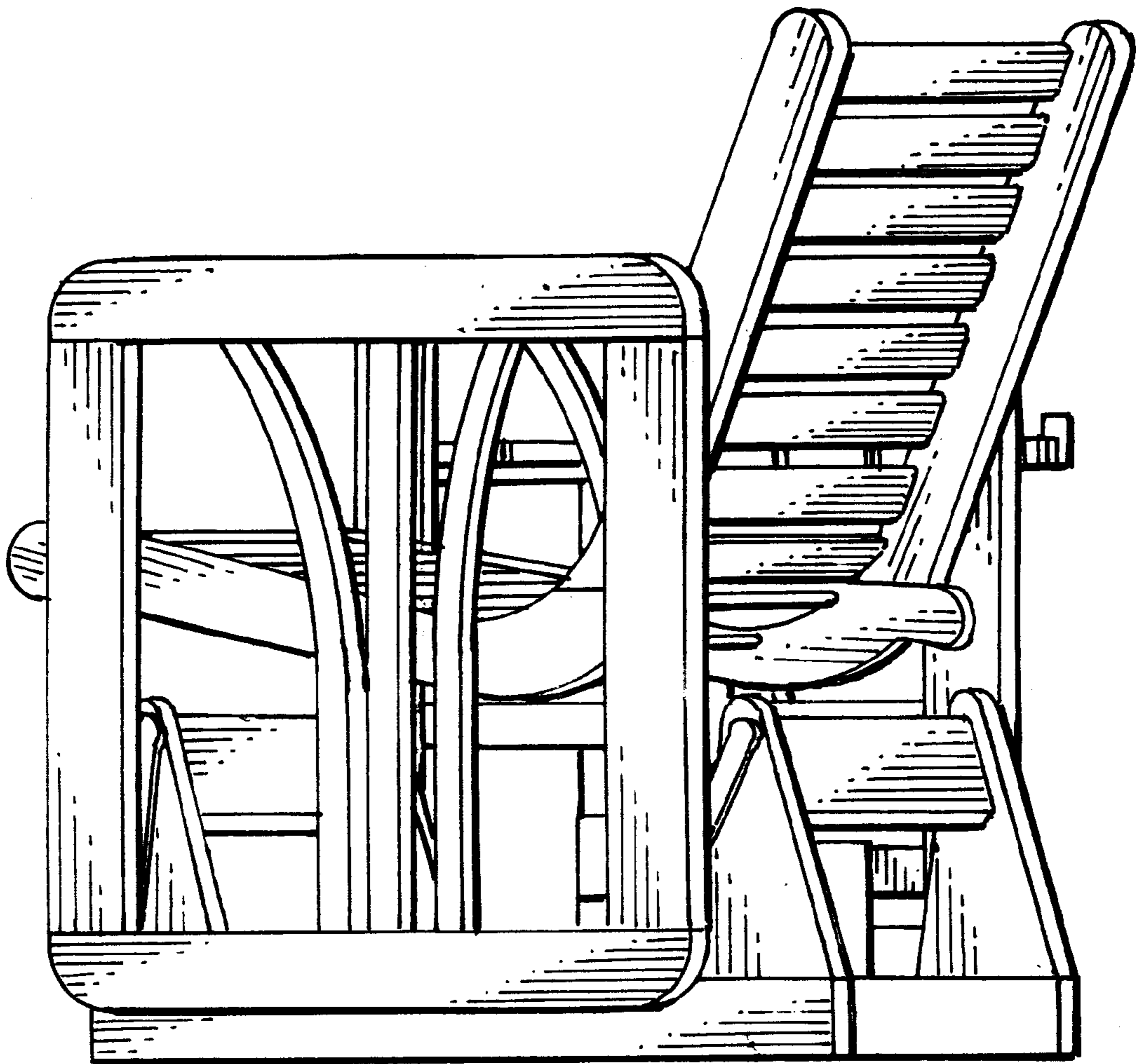


FIG. 6