



US00D450936B1

(12) **United States Design Patent**
Bernes

(10) **Patent No.:** **US D450,936 S**

(45) **Date of Patent:** **** Nov. 27, 2001**

(54) **CHAIR**

(75) Inventor: **Marshall Bernes**, Los Angeles, CA
(US)

(73) Assignee: **Heavy Metal, Inc.**, Canoga Park, CA
(US)

(**) Term: **14 Years**

(21) Appl. No.: **29/112,040**

(22) Filed: **Oct. 8, 1999**

(51) **LOC (7) Cl.** **06-01**

(52) **U.S. Cl.** **D6/336**

(58) **Field of Search** D6/334, 335, 336,
D6/370, 379, 381, 397, 432, 434, 440;
D21/521; 297/123, 181, 188.11, 188.08,
411.41, 446.1

(56) **References Cited**

U.S. PATENT DOCUMENTS

D. 222,051	*	9/1971	Shannon	D6/381
D. 222,453	*	10/1971	Ziss et al.	D6/379
D. 238,635	*	2/1976	Curtin	D6/336
D. 245,213	*	8/1977	Hade	D6/370
D. 321,613	*	11/1991	Gandy	D6/440
D. 381,223	*	7/1997	Brunner et al.	D6/440
986,686	*	3/1911	Carney	297/123
2,682,915	*	7/1954	Forti	297/188.1

OTHER PUBLICATIONS

Personalized toy chest, p14-15, Sturbridge Yankee Work-
shop catalog, Apr. 1989.*

* cited by examiner

Primary Examiner—Doris V. Coles

Assistant Examiner—Mimosa De

(74) *Attorney, Agent, or Firm*—Arter & Hadden LLP

(57) **CLAIM**

I claim the ornamental design for a chair, as shown and described.

DESCRIPTION

A portion of the disclosure of this patent document contains material to which a claim for copyright is made. The copyright owner has no objection to the facsimile reproduction by any one of the patent document or the patent disclosure, as it appears in the Patent and Trademark Office patent files or records, but otherwise reserves all other copyright rights whatsoever.

FIG. 1 is a front-left elevational view of a chair showing my new design;

FIG. 2 is a front perspective view thereof; and,

FIG. 3 is a front-left perspective view thereof with the front drawer in open condition.

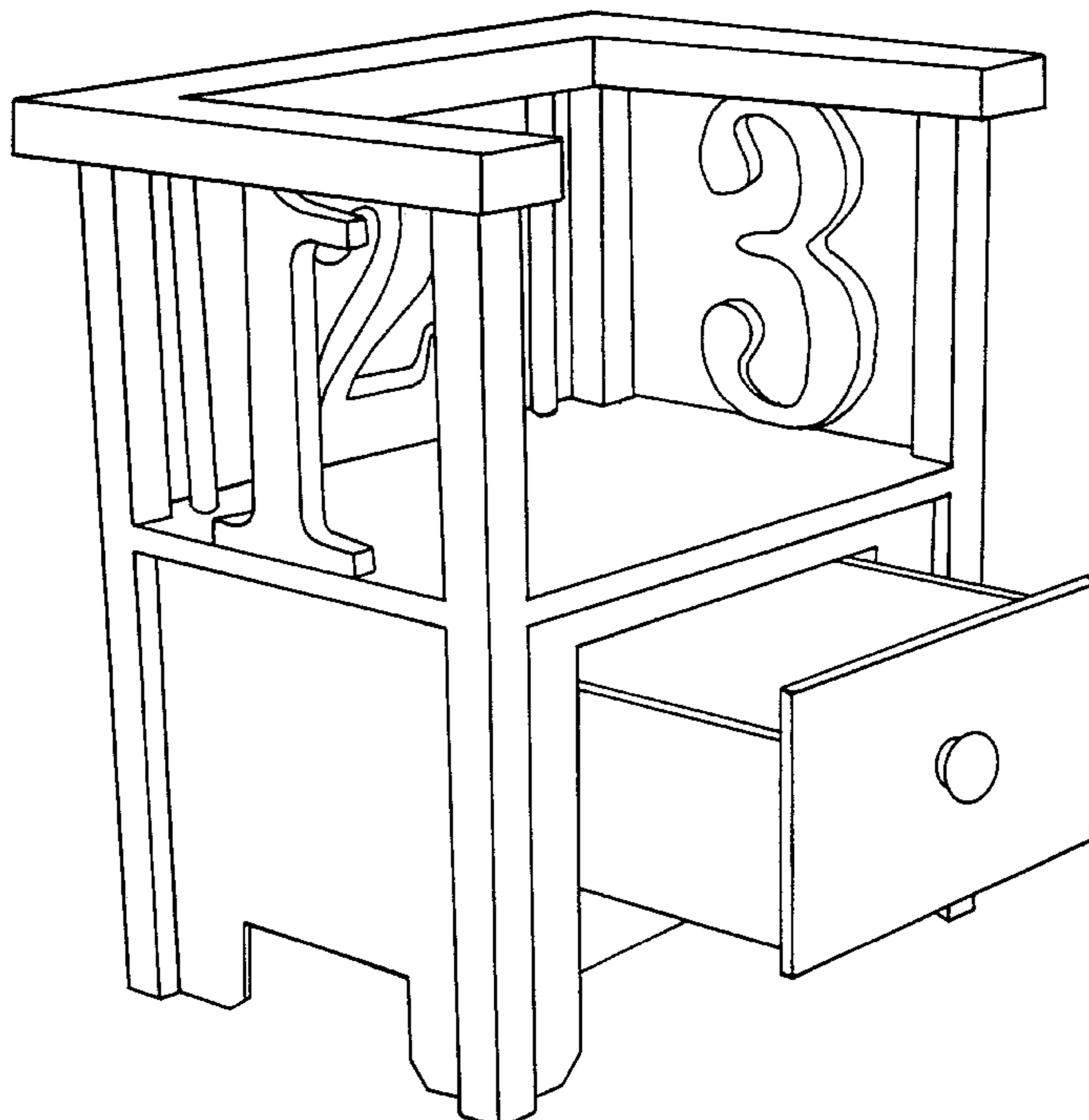
The right side of the article is a mirror-image of the left side, but has a mirror-image of a “3” as apparent from the drawings.

The rear of the article is similar in appearance to the left side, but has a mirror-image of a “2” and respective left and right dowels as apparent from the drawings.

The bottom forms no part of the claimed design.

The environment shown forms no part of the claimed design.

1 Claim, 3 Drawing Sheets



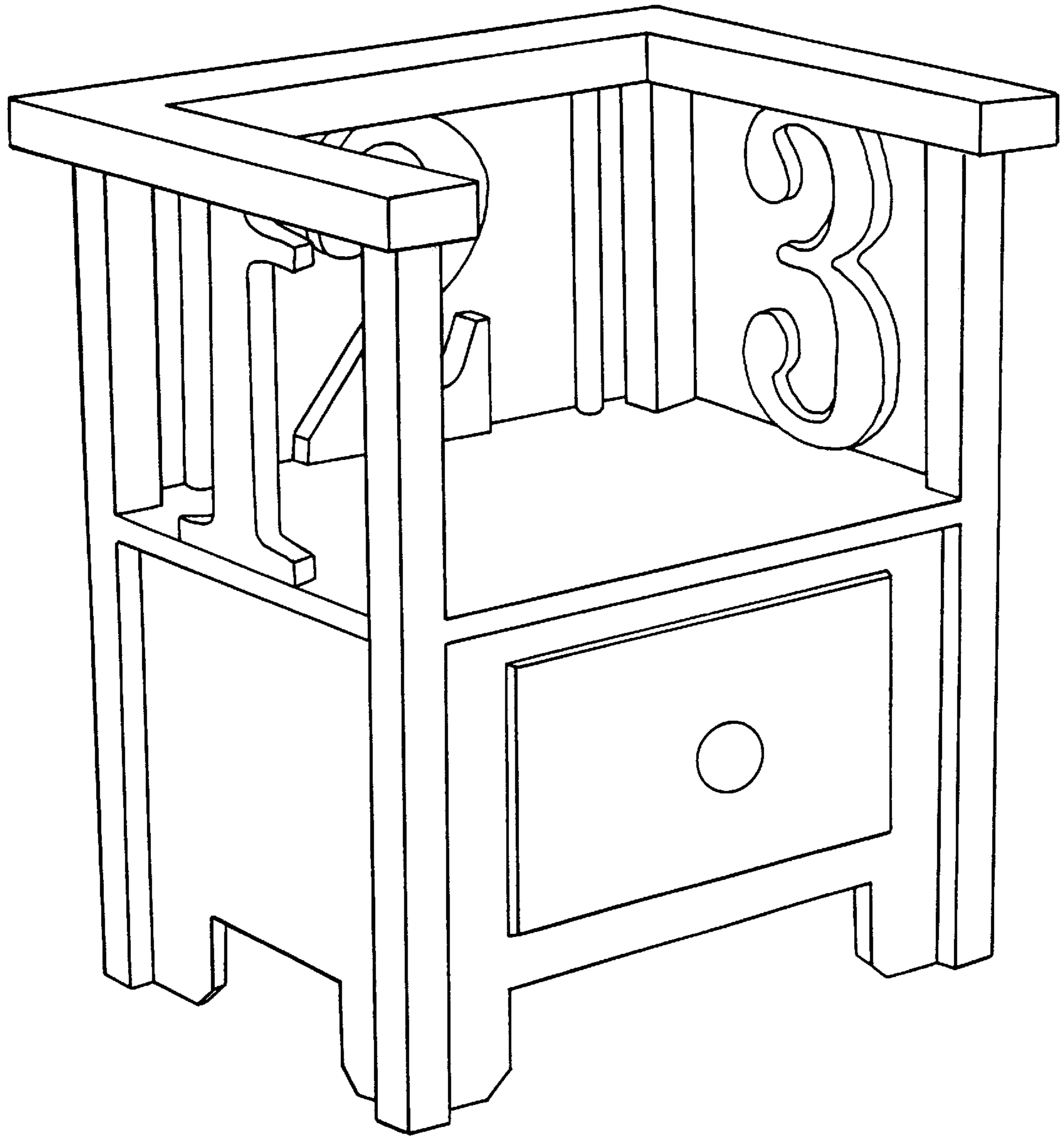


Fig. 1

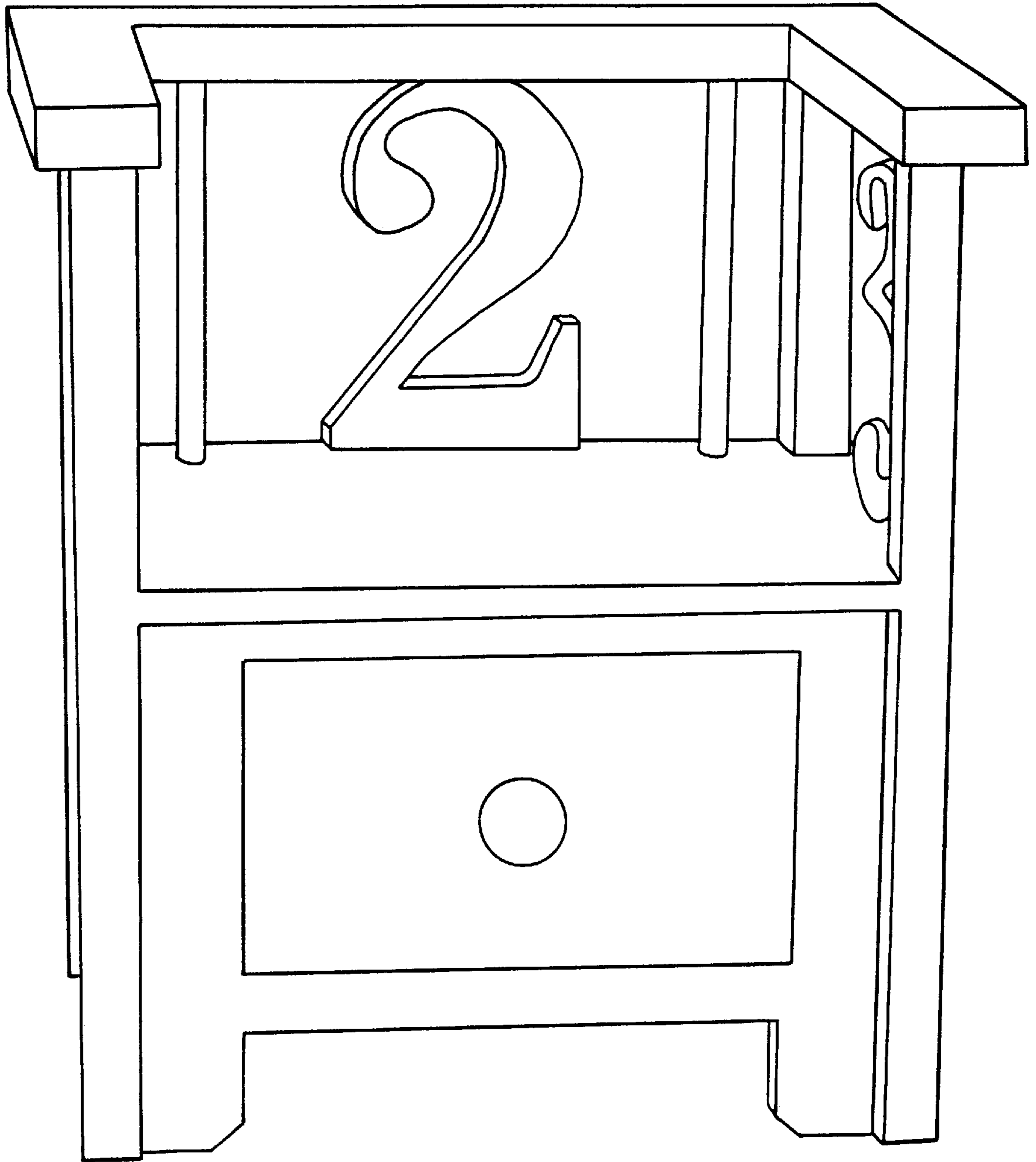


Fig. 2

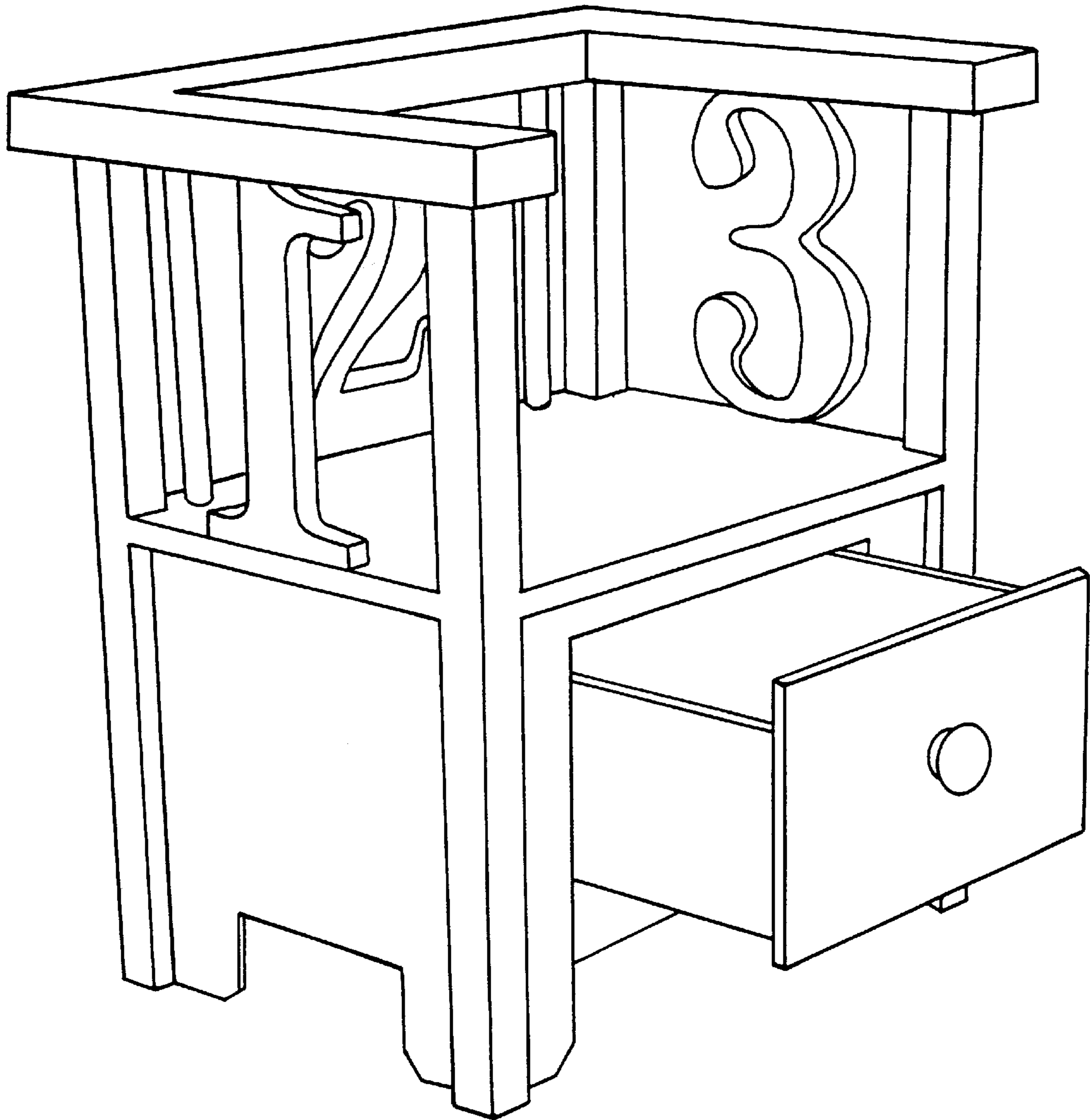


Fig. 3