



US00D450932B1

(12) **United States Design Patent**
Varriale

(10) **Patent No.:** **US D450,932 S**

(45) **Date of Patent:** **** Nov. 27, 2001**

(54) **HAIR BRUSH HANDLE**

(75) Inventor: **Luciano Varriale**, Turin (IT)

(73) Assignee: **Gemelli Enterprises, L.L.C.**, Houston, TX (US)

(**) Term: **14 Years**

(21) Appl. No.: **29/130,516**

(22) Filed: **Oct. 3, 2000**

(51) **LOC (7) Cl.** **04-02**

(52) **U.S. Cl.** **D4/138**

(58) **Field of Search** D4/127, 128, 132-136, D4/138; D28/35; 15/23, 27, 159.1, 143.1, 160, 206; 16/110.1, 430, DIG. 12; 132/120, 271, 313; D8/107, DIG. 7

(56) **References Cited**

U.S. PATENT DOCUMENTS

D. 251,517	*	4/1979	Baudon	D4/128
D. 366,761	*	2/1996	Gertsma et al.	D4/128
4,196,489	*	4/1980	Hahn	15/159.1
5,488,751	*	2/1996	Gekhter et al.	15/143.1 X

FOREIGN PATENT DOCUMENTS

687171 * 10/1996 (CH) .

* cited by examiner

Primary Examiner—Alan P. Douglas

Assistant Examiner—Lavone Tabor

(57) **CLAIM**

The ornamental design for a hair brush handle, as shown and described.

DESCRIPTION

FIG. 1 is a front view of a hair brush handle constructed in accordance with the teachings of the present invention, said handle having the same appearance from each side.

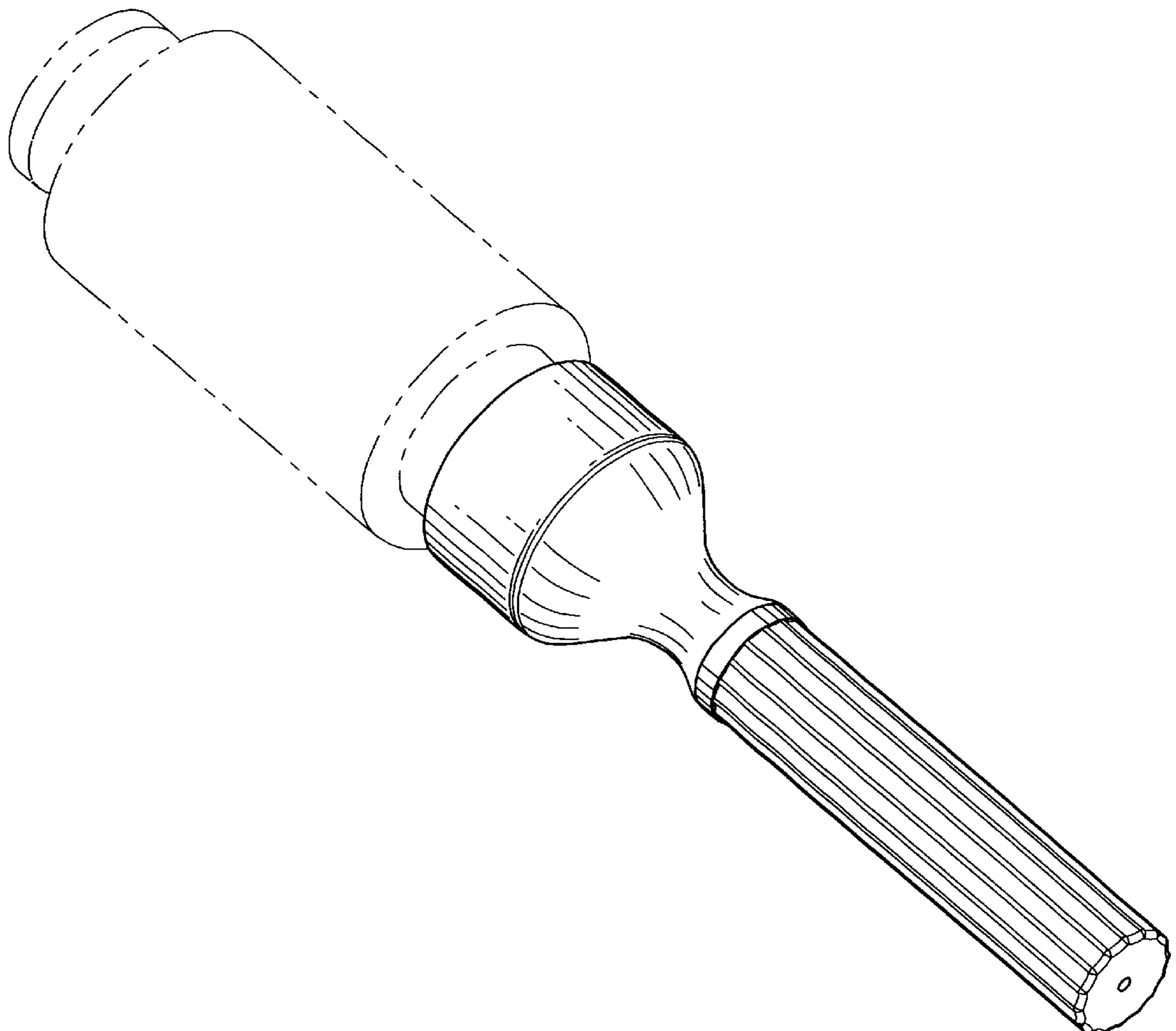
FIG. 2 is a top end view of the brush handle of FIG. 1.

FIG. 3 is a bottom end view of the brush handle of FIG. 1; and,

FIG. 4 is an isometric view of the brush handle of FIG. 1 looking from the bottom end.

It will be further understood that the broken line showing the brush head throughout the drawings is for illustrative purposes only and forms no part of the subject invention.

1 Claim, 2 Drawing Sheets



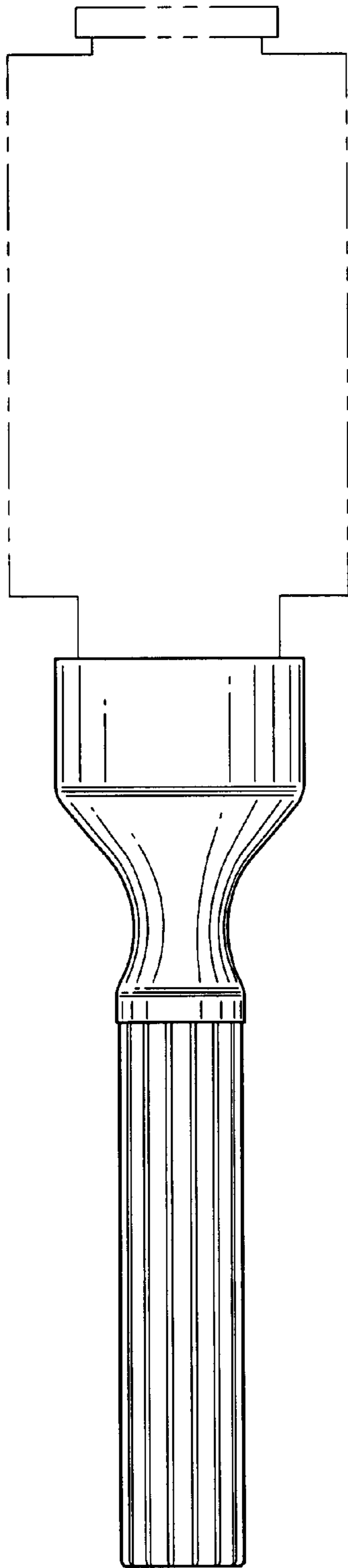


Fig. 1

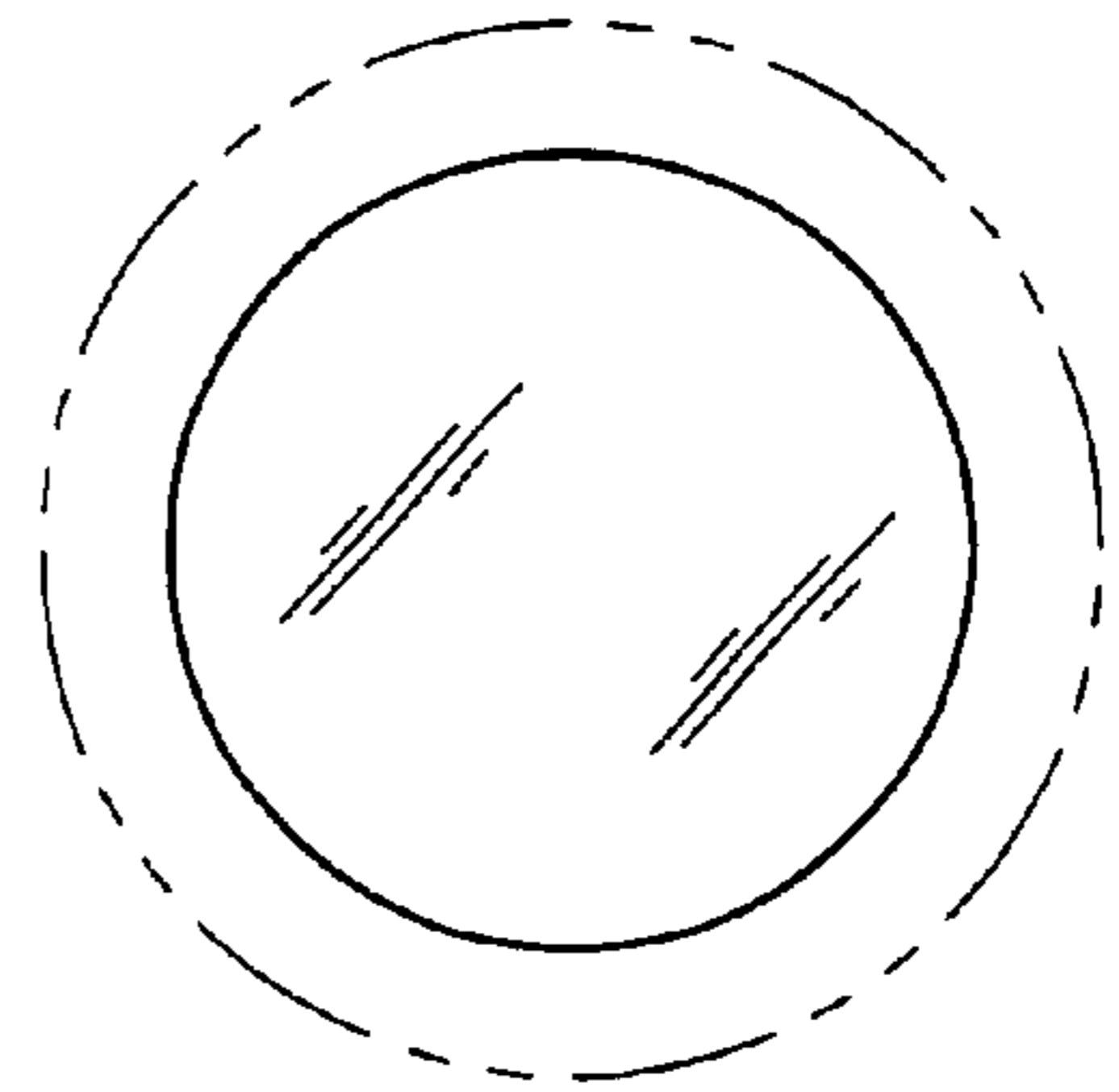


Fig. 2

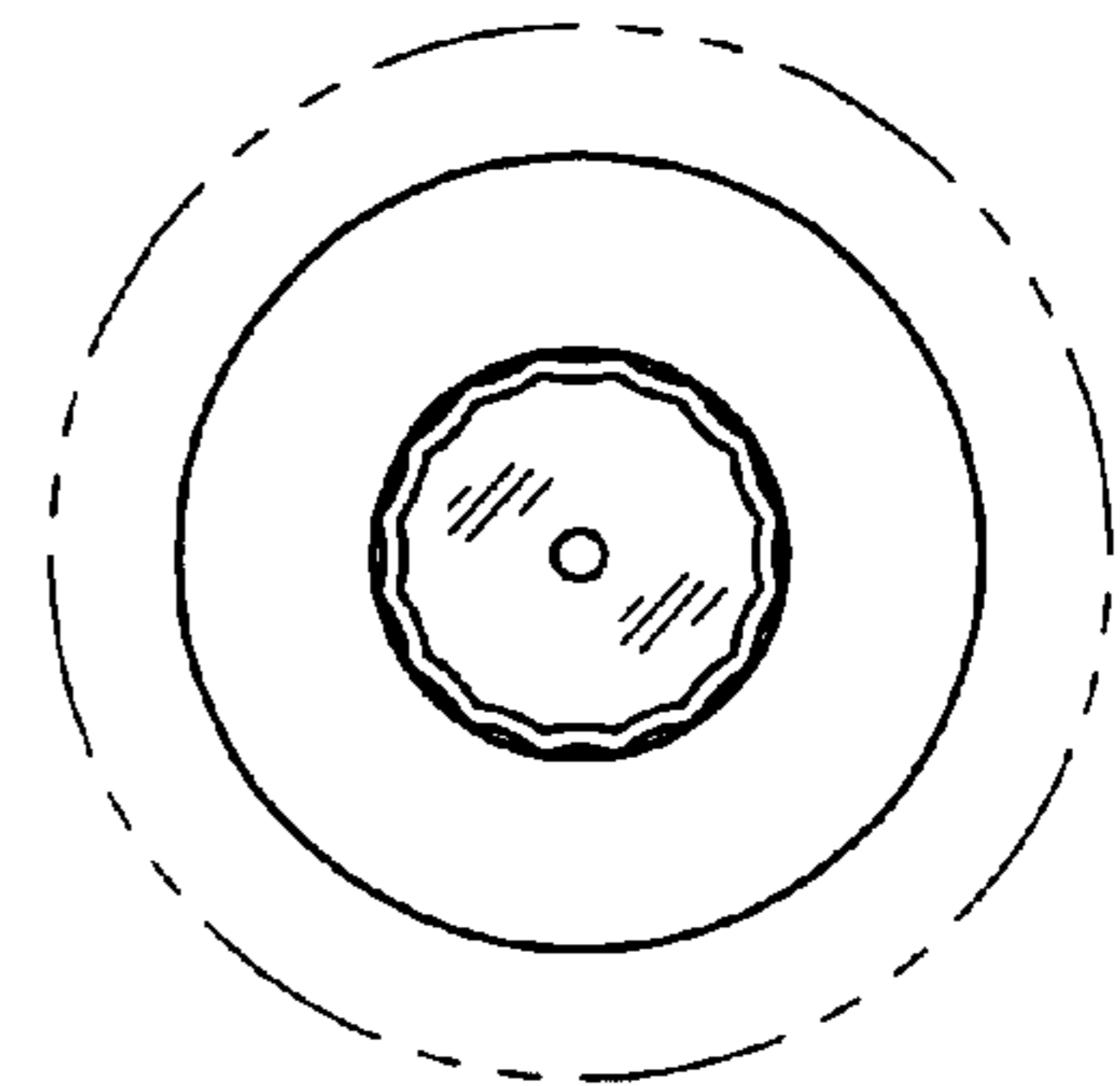


Fig. 3

Fig. 4

