



US00D450926B1

(12) **United States Design Patent**
Dickinson et al.

(10) **Patent No.:** **US D450,926 S**

(45) **Date of Patent:** **** Nov. 27, 2001**

(54) **STORAGE TUB**

(75) Inventors: **Thomas Dickinson**, St. Louis; **Scott Holmberg**, Ballwin, both of MO (US)

(73) Assignee: **Contico International, LLC**, St. Louis, MO (US)

(**) Term: **14 Years**

(21) Appl. No.: **29/127,236**

(22) Filed: **Jul. 31, 2000**

(51) **LOC (7) Cl.** **03-01**

(52) **U.S. Cl.** **D3/304**

(58) **Field of Search** D3/303-315; D7/354, D7/360; 220/4.21, 212.5, 772, 912; 4/538; D30/158, 132, 131; D32/53

(56) **References Cited**

U.S. PATENT DOCUMENTS

D. 128,124	*	7/1941	Melville	D30/158
D. 154,226	*	6/1949	Ackermann	D32/53
D. 294,749		3/1988	Fuller	D30/132
D. 354,377	*	1/1995	Wenstrand	D30/131
D. 420,799	*	2/2000	Douglas et al.	D3/314
925,781	*	6/1909	Mathy	D7/354
5,503,062	*	4/1996	Buff, IV	220/772

* cited by examiner

Primary Examiner—Catherine R. Oliver

(74) *Attorney, Agent, or Firm*—Howell & Haferkamp, L.C.

(57) **CLAIM**

The ornamental design for a storage tub, as shown and described.

DESCRIPTION

FIG. 1 is a perspective view of a storage tub of the present invention;

FIG. 2 is a front elevational view of the storage tub of FIG. 1, the rear elevational view being a mirror image thereof;

FIG. 3 is a right side elevational view of the storage tub of FIG. 1, the left side elevational view being a mirror image thereof;

FIG. 4 is a top plan view of the storage tub of FIG. 1;

FIG. 5 is a perspective view of a second embodiment of a storage tub of the present invention;

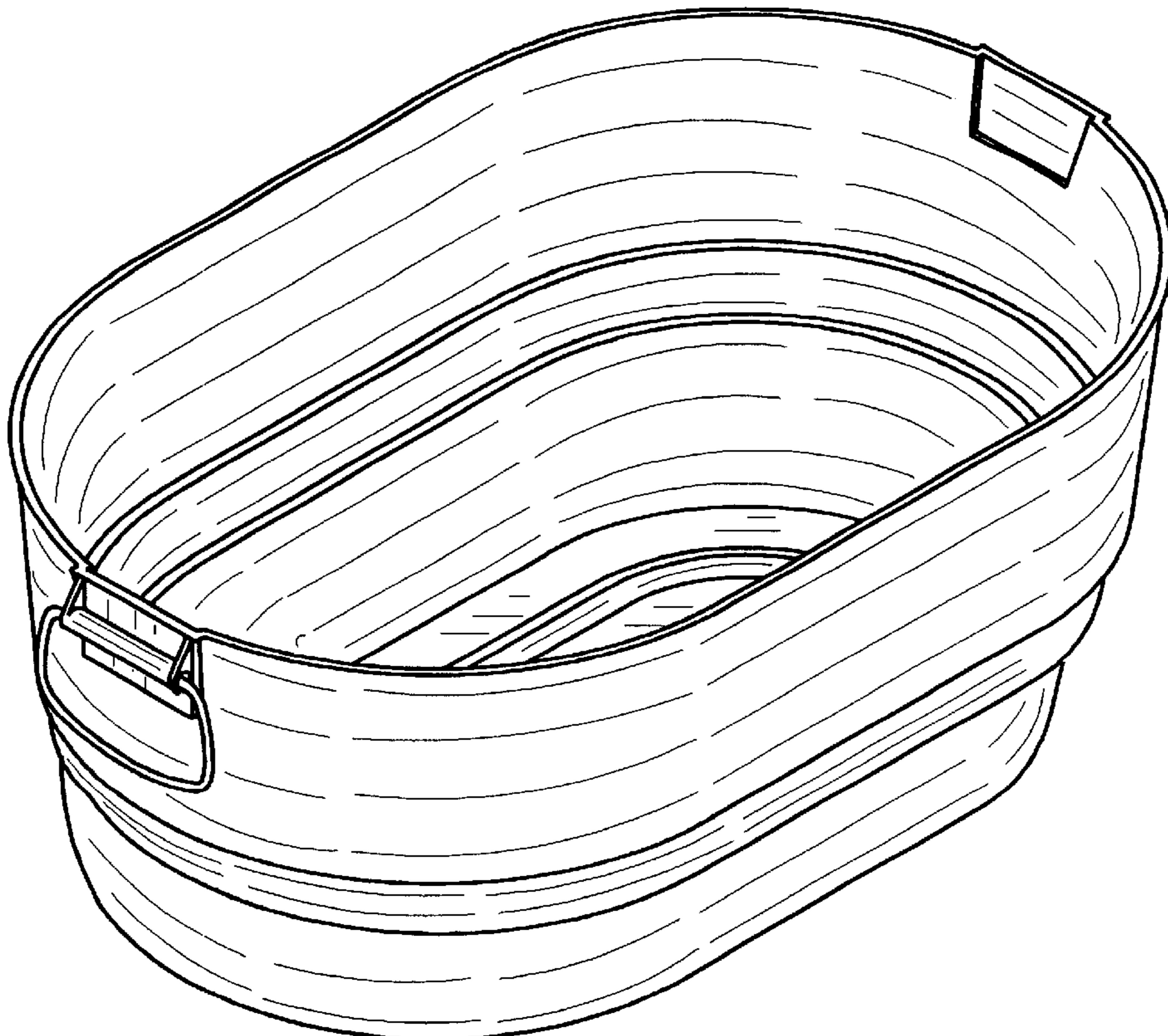
FIG. 6 is a front elevational view of the storage tub of FIG. 5, the rear elevational view being a mirror image thereof;

FIG. 7 is a right side elevational view of the storage tub of FIG. 5, the left side elevational view being a mirror image thereof; and,

FIG. 8 is a top plan view of the storage tub of FIG. 5.

The bottom view of each embodiment is unornamental and forms no part of the claimed design.

1 Claim, 3 Drawing Sheets



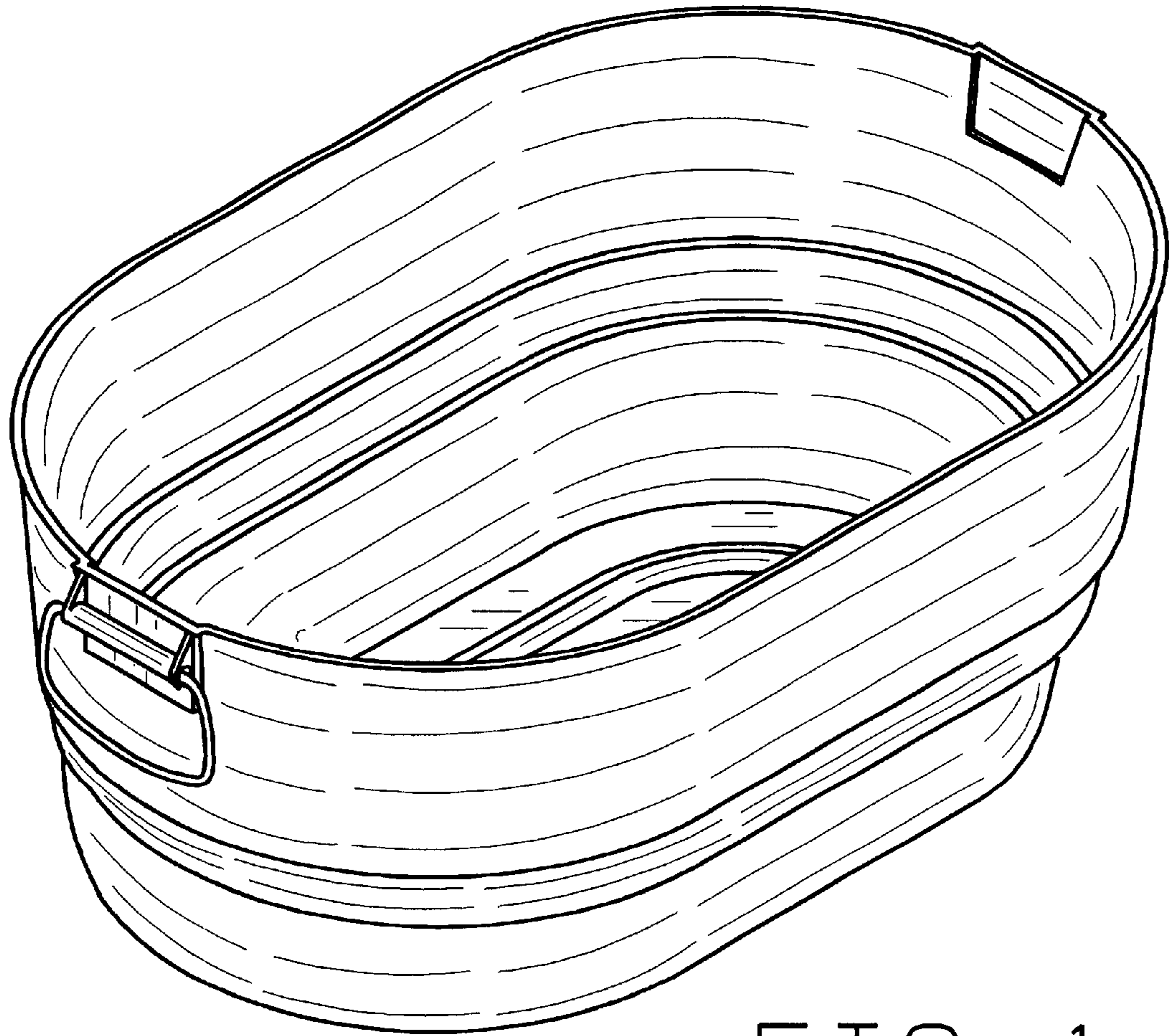


FIG. 1

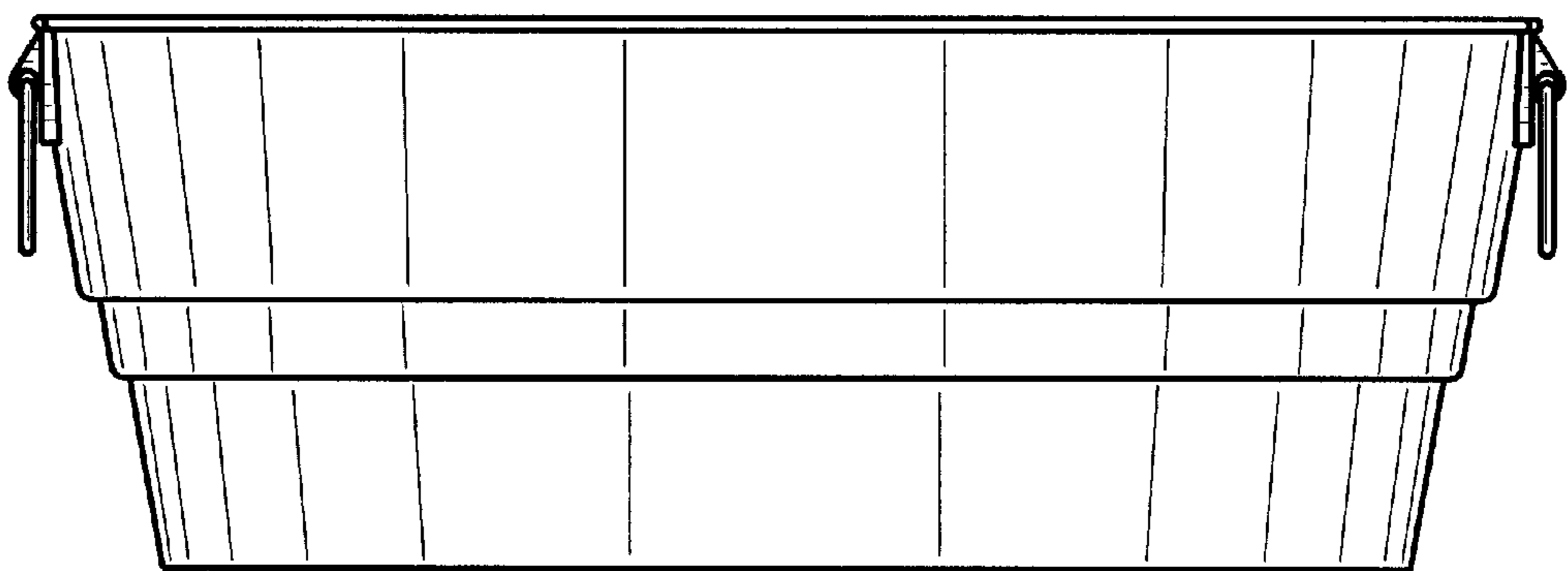


FIG. 2

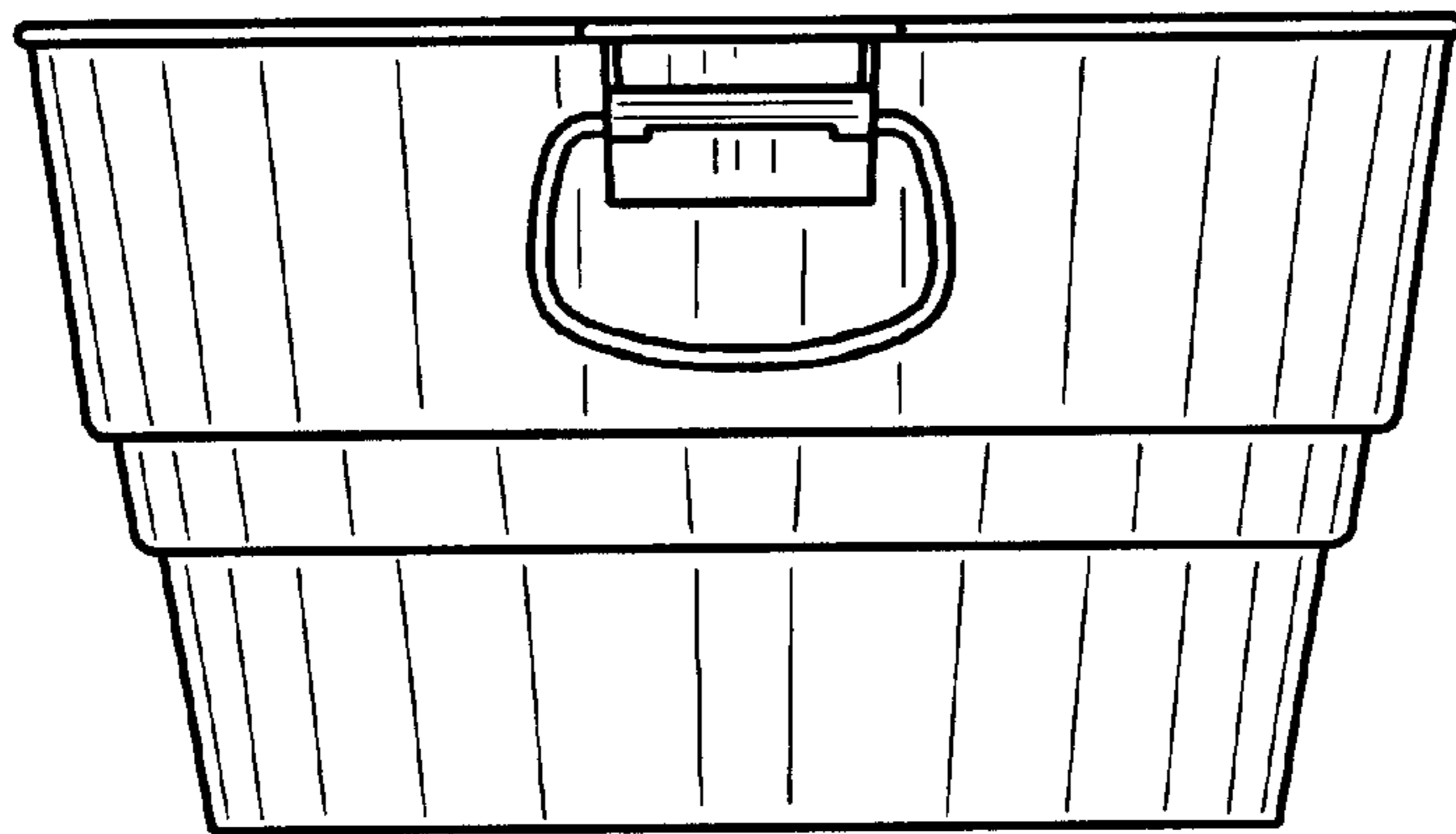


FIG. 3

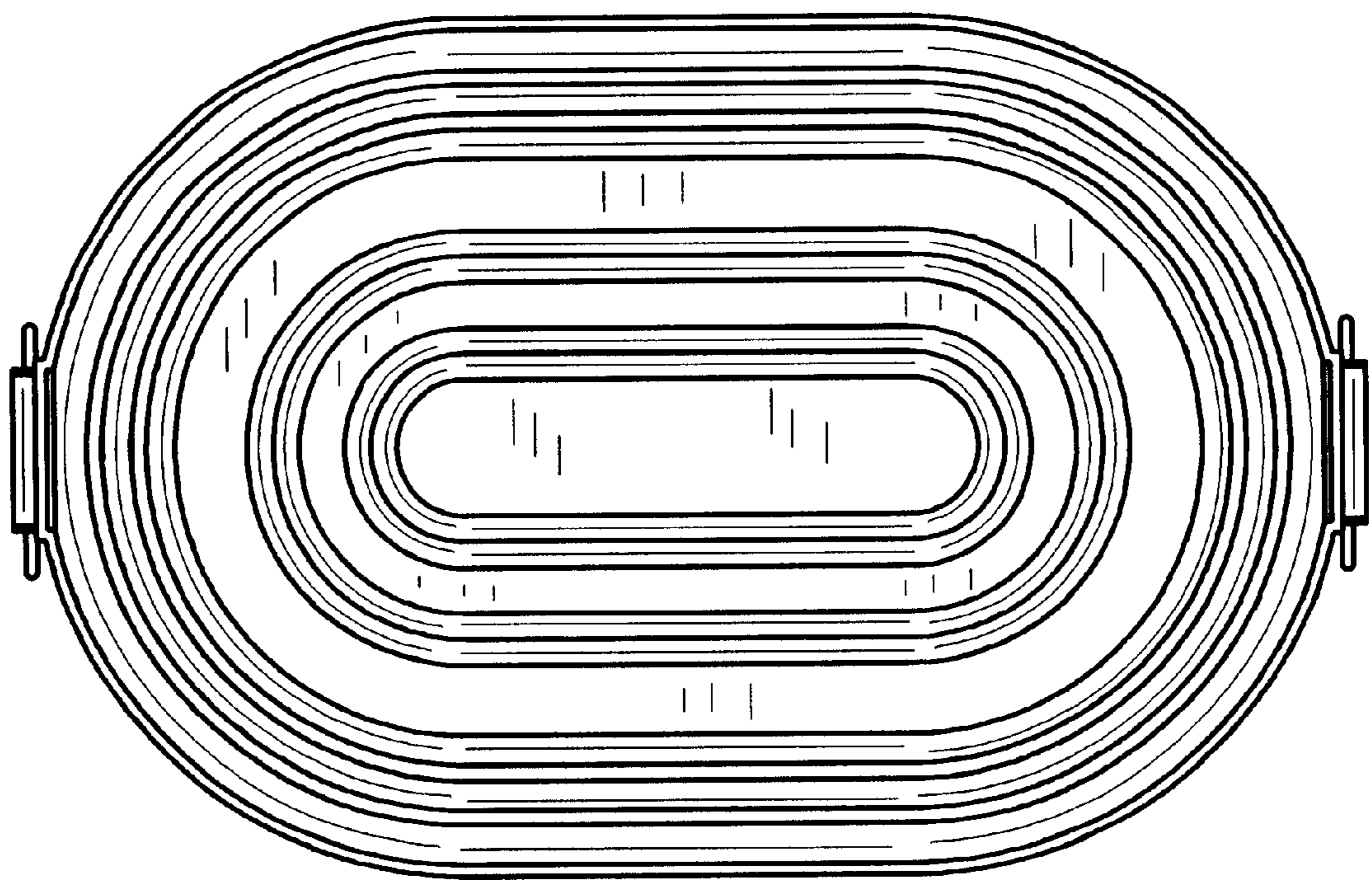


FIG. 4

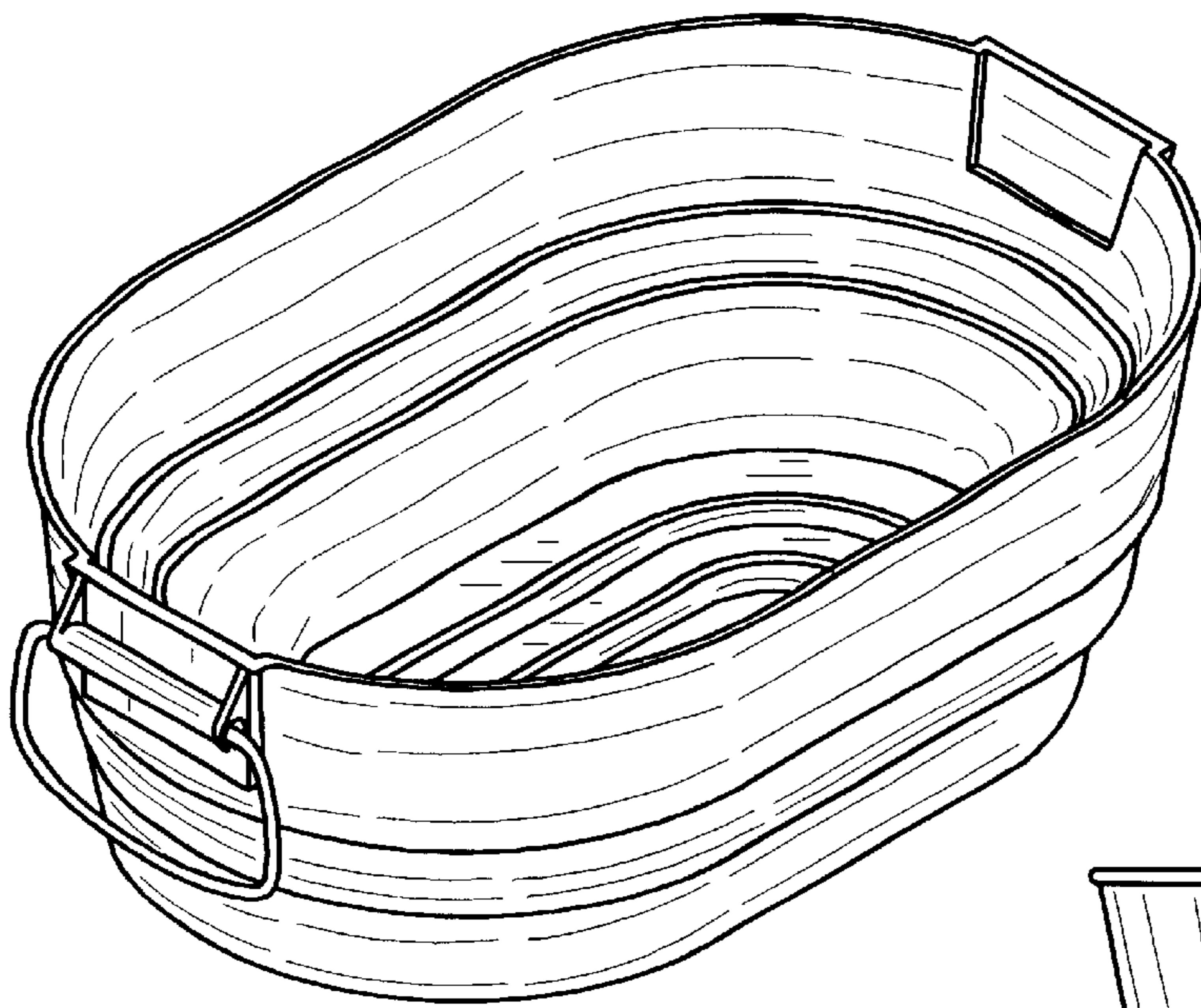


FIG. 5

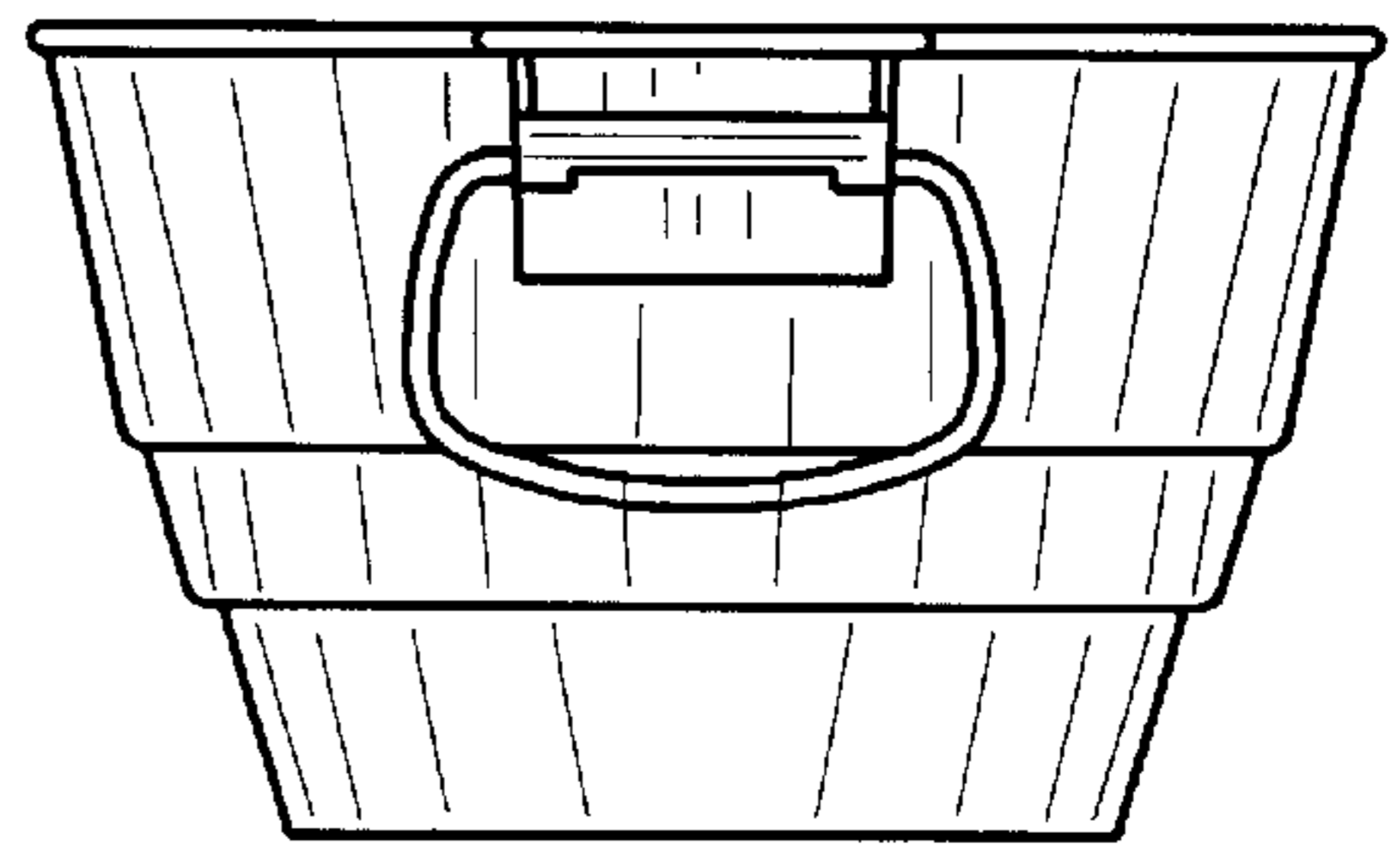


FIG. 7

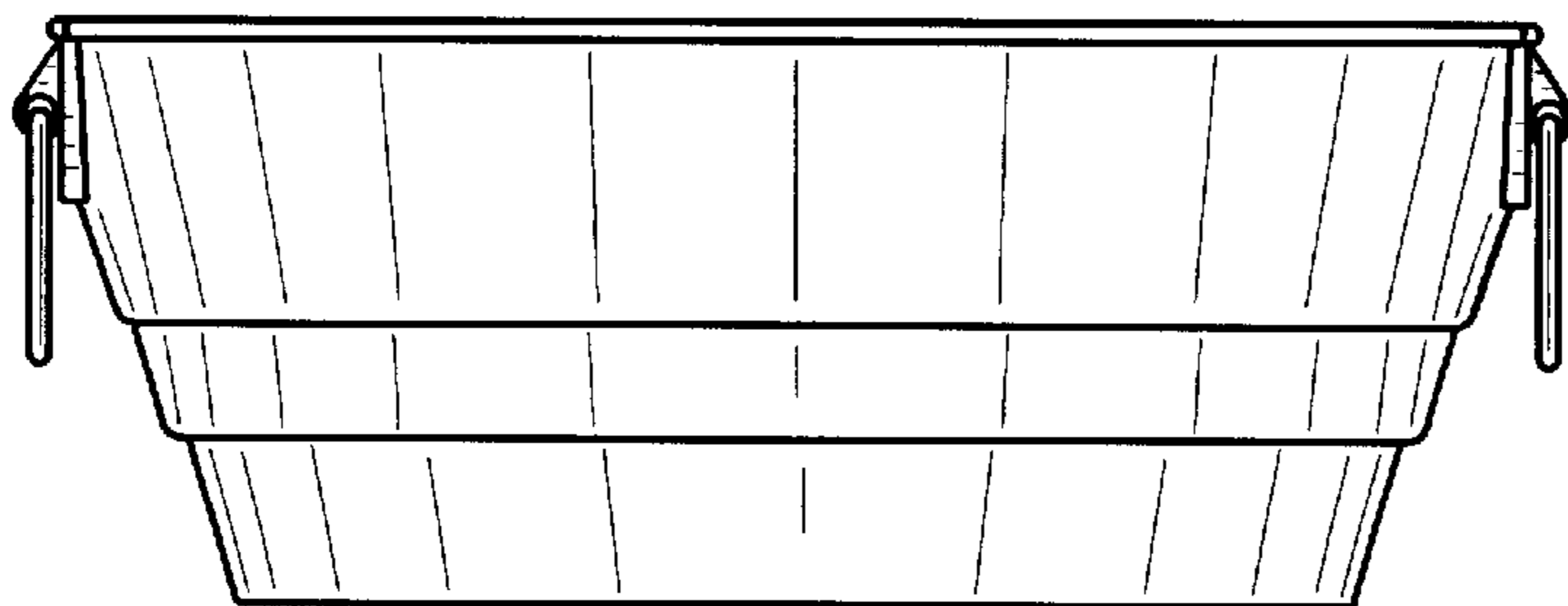


FIG. 6

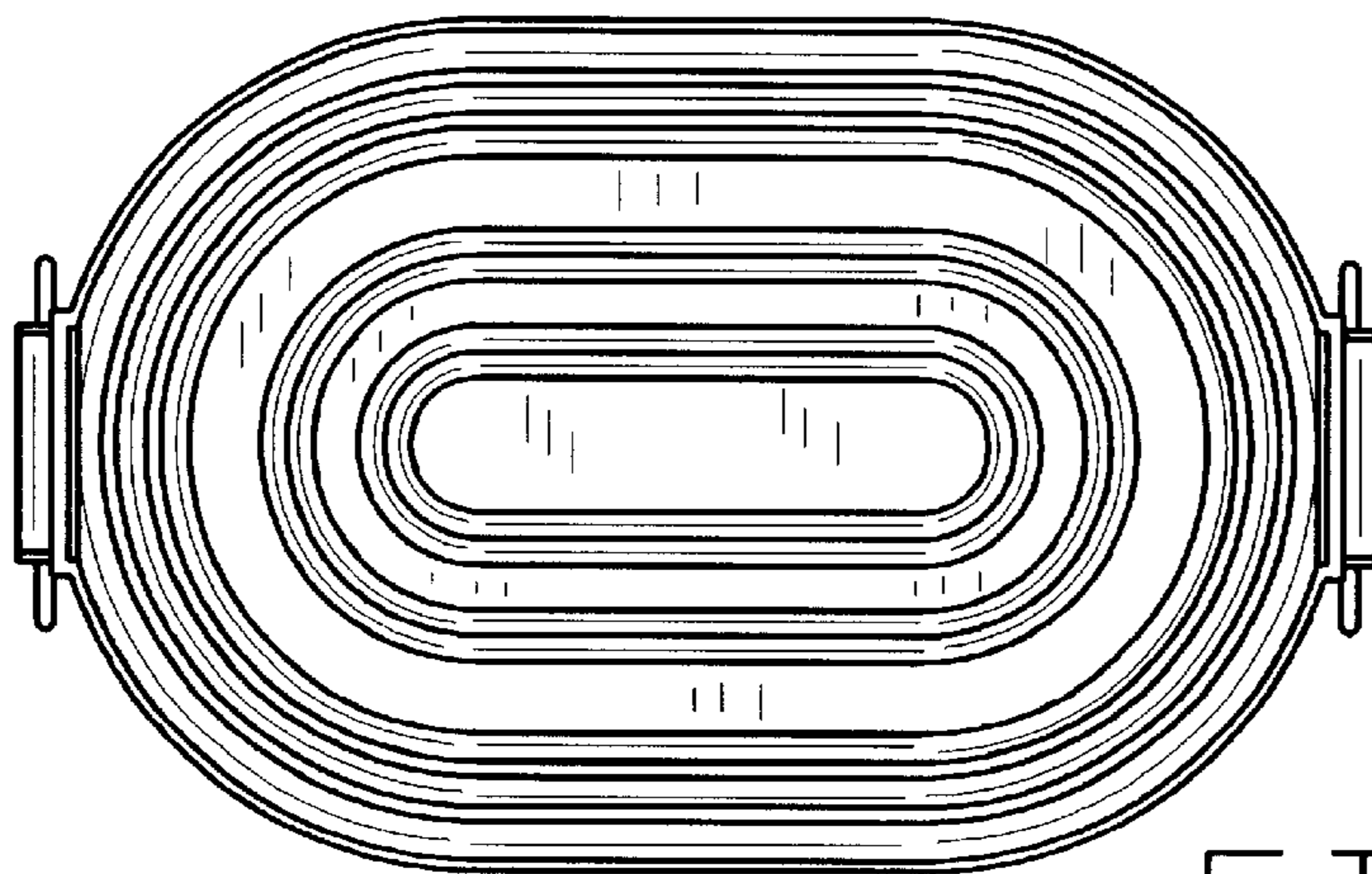


FIG. 8