



US00D450912B1

(12) **United States Design Patent**
Parsons et al.

(10) **Patent No.:** **US D450,912 S**

(45) **Date of Patent:** **** Nov. 27, 2001**

(54) **ORNAMENTAL HAT**

(76) Inventors: **Nathan W. Parsons**, 15507 Doris,
Livonia, MI (US) 48154; **James E. Waring**, 31721 Staman Cir.,
Farmington Hills, MI (US) 48336

(**) Term: **14 Years**

(21) Appl. No.: **29/087,944**

(22) Filed: **May 12, 1998**

Related U.S. Application Data

(63) Continuation-in-part of application No. 29/077,251, filed on
Sep. 30, 1997, now Pat. No. Des. 399,990.

(51) **LOC (7) Cl.** **02-03**

(52) **U.S. Cl.** **D2/869**

(58) **Field of Search** D2/865, 866, 868,
D2/869, 876, 873; 2/171, 181, 195.1, 195.12;
180/291; D12/82, 86, 93, 95

(56) **References Cited**

U.S. PATENT DOCUMENTS

D. 357,344 * 4/1995 Norton D2/869
D. 365,431 * 12/1995 Morrissey et al. D2/869

D. 369,015 * 4/1996 Griffin, Jr. D2/869
D. 373,239 * 9/1996 McClean D2/869
D. 391,039 * 2/1998 Mongreon D2/869
D. 399,990 * 10/1998 Parsons et al. D2/869
4,991,235 * 2/1991 Warner D2/873 X
5,277,270 * 1/1994 Ilasegawa 180/291
5,437,344 * 8/1995 Wada 180/291

* cited by examiner

Primary Examiner—Paula A. Mortimer

(74) *Attorney, Agent, or Firm*—Vanophem Meehan &
Vanophem, P.C.

(57) **CLAIM**

The ornamental design for an ornamental hat, as shown and
described.

DESCRIPTION

FIG. 1 is a front perspective view of an ornamental hat
showing my new design;
FIG. 2 is an end elevational view, the opposite end is a
mirror image;
FIG. 3 is a plan view thereof;
FIG. 4 is a side view thereof; and,
FIG. 5 is a bottom view thereof.

1 Claim, 2 Drawing Sheets

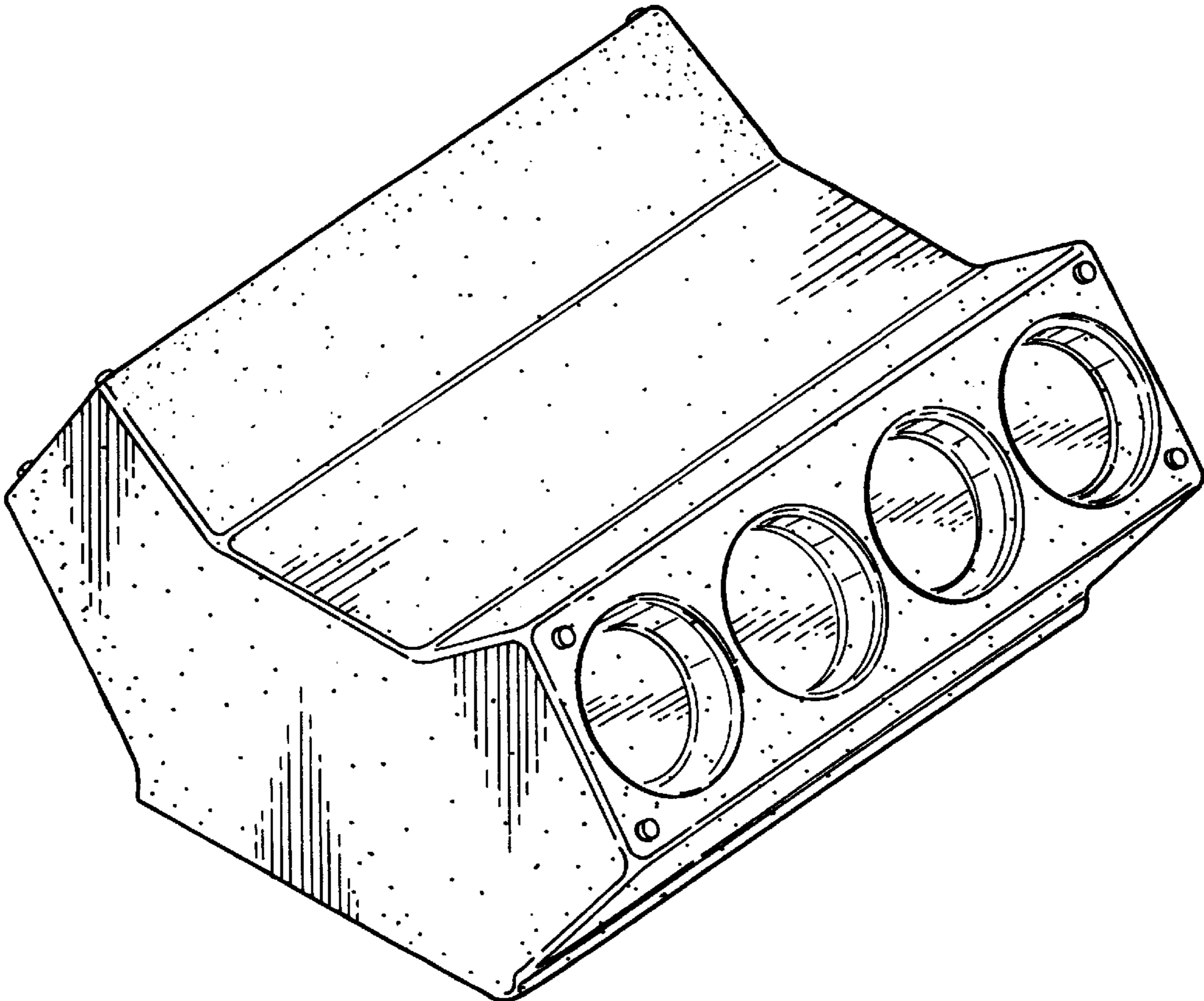


FIG-1

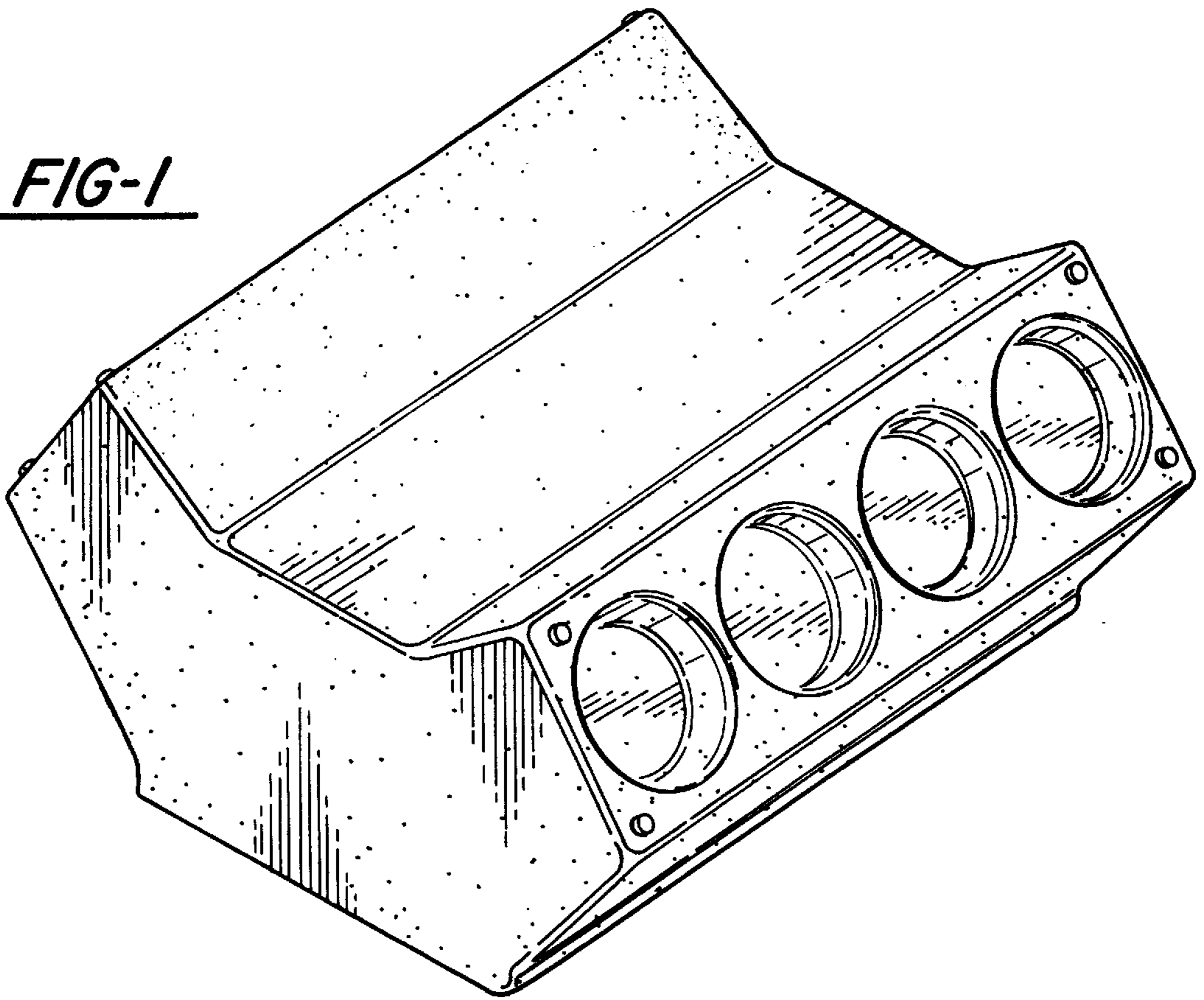
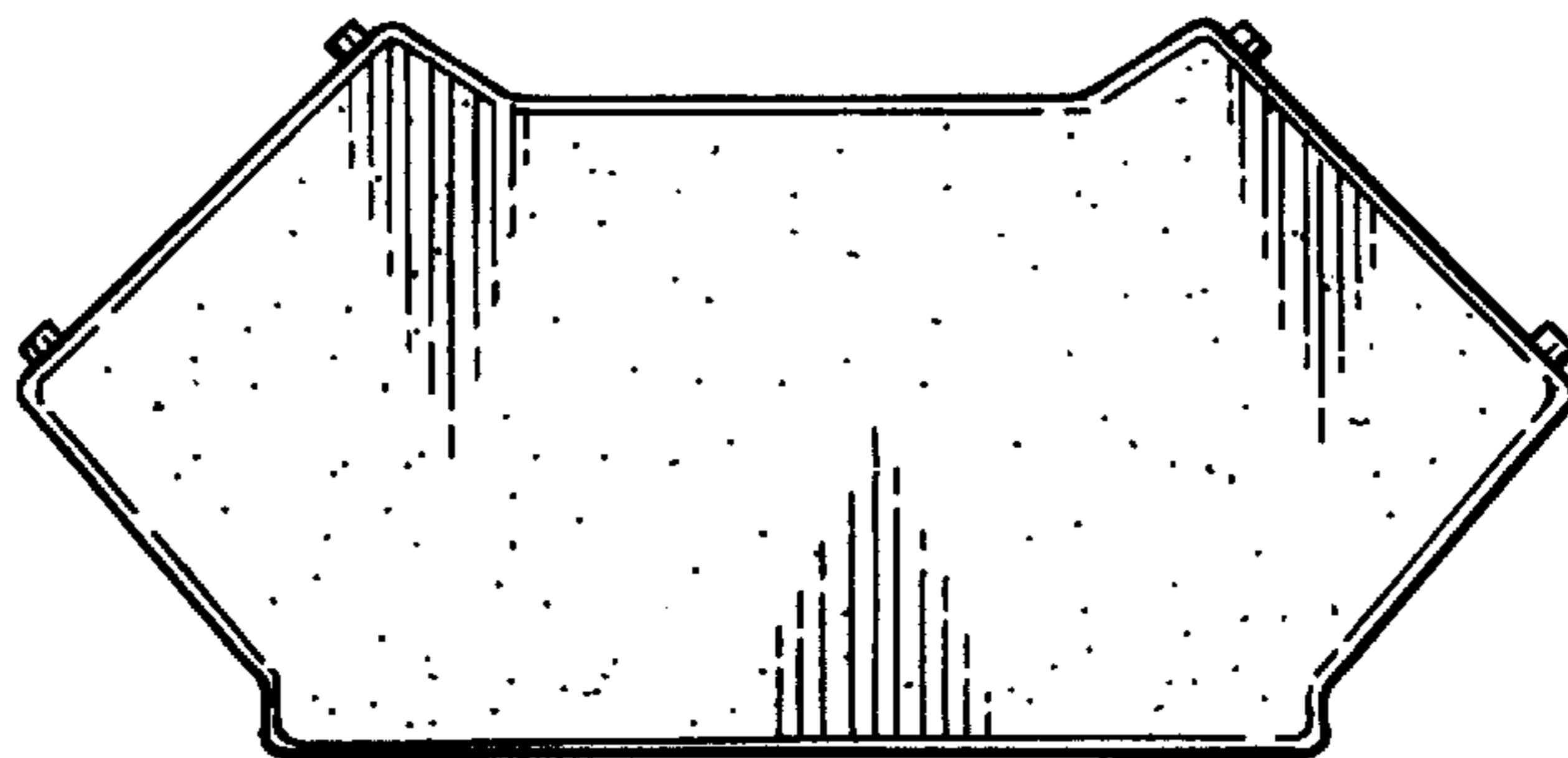


FIG-2



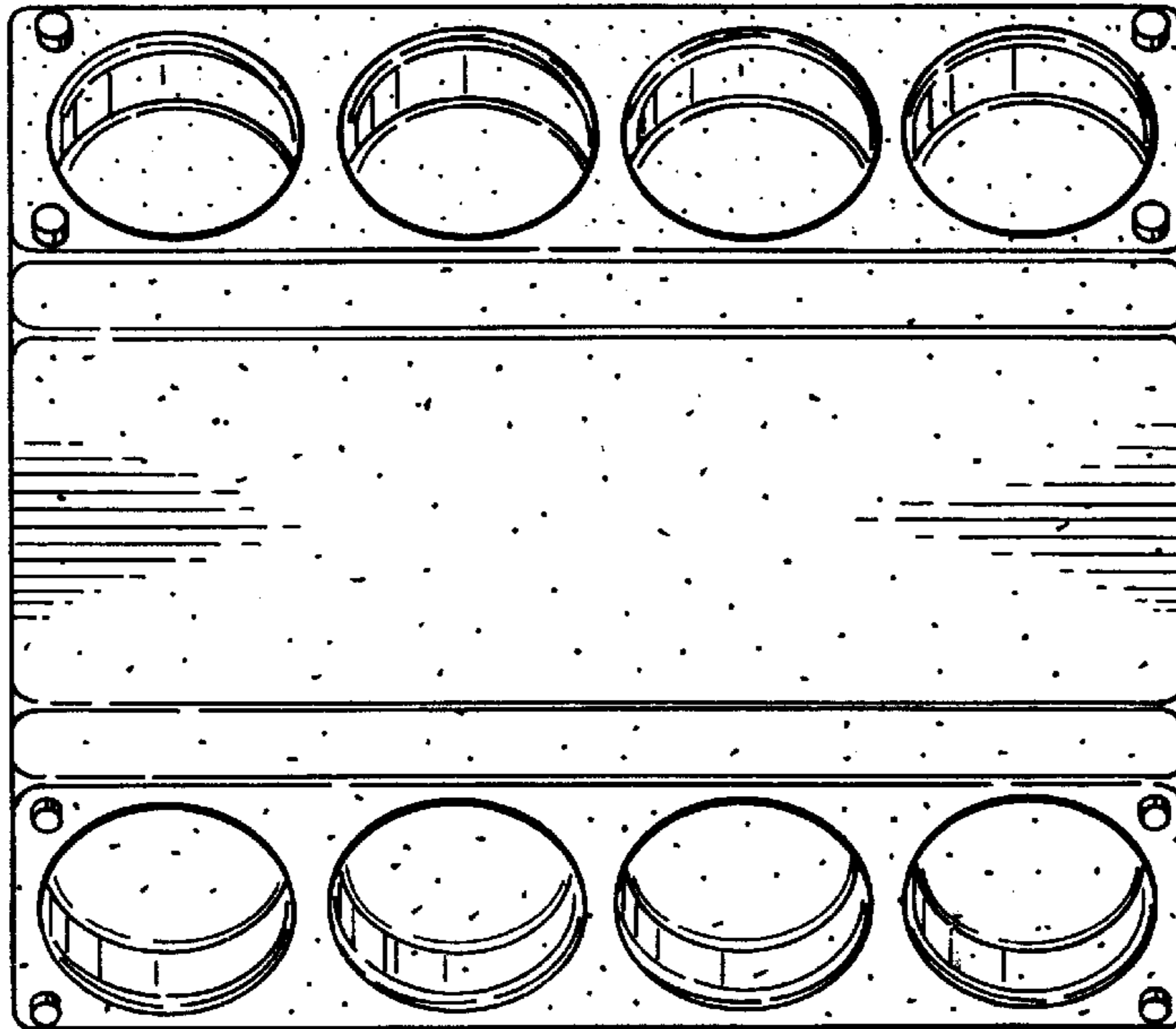


FIG-3

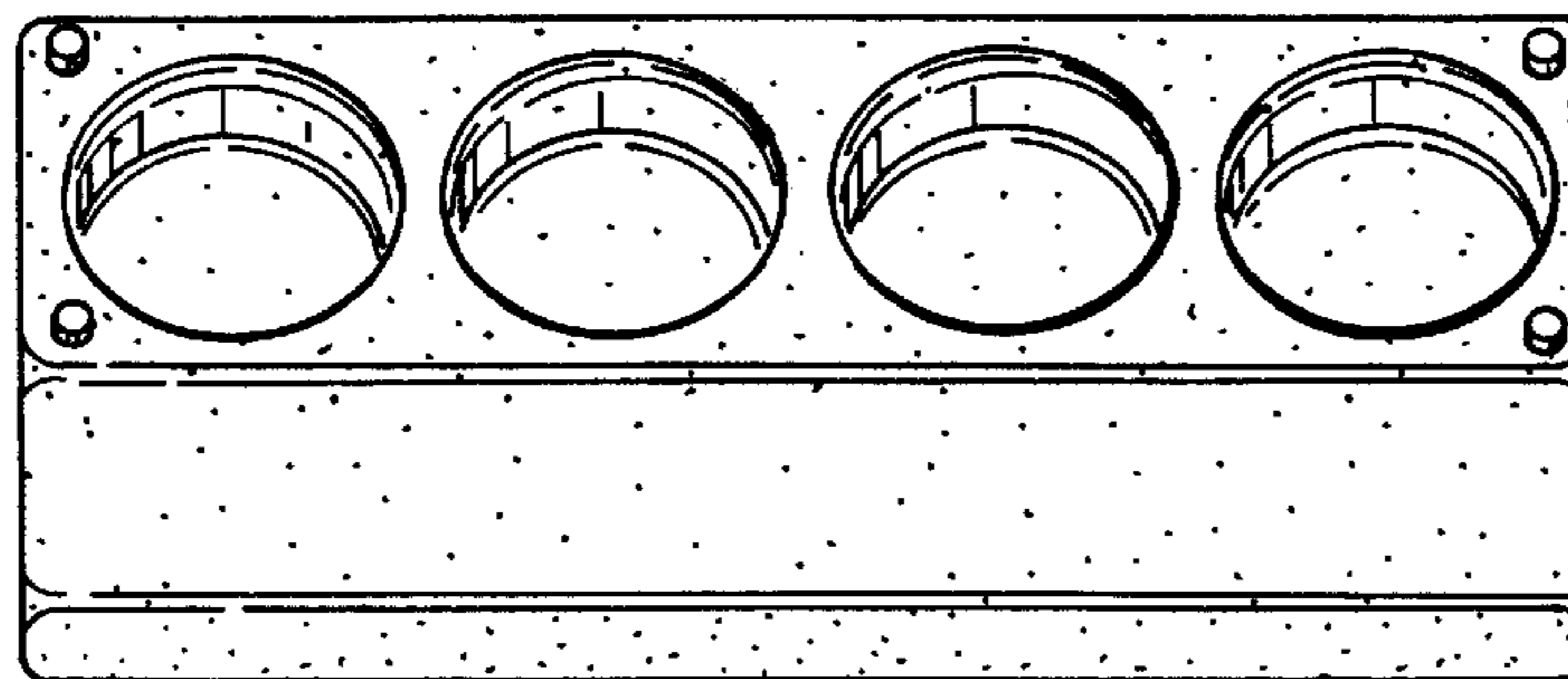


FIG-4

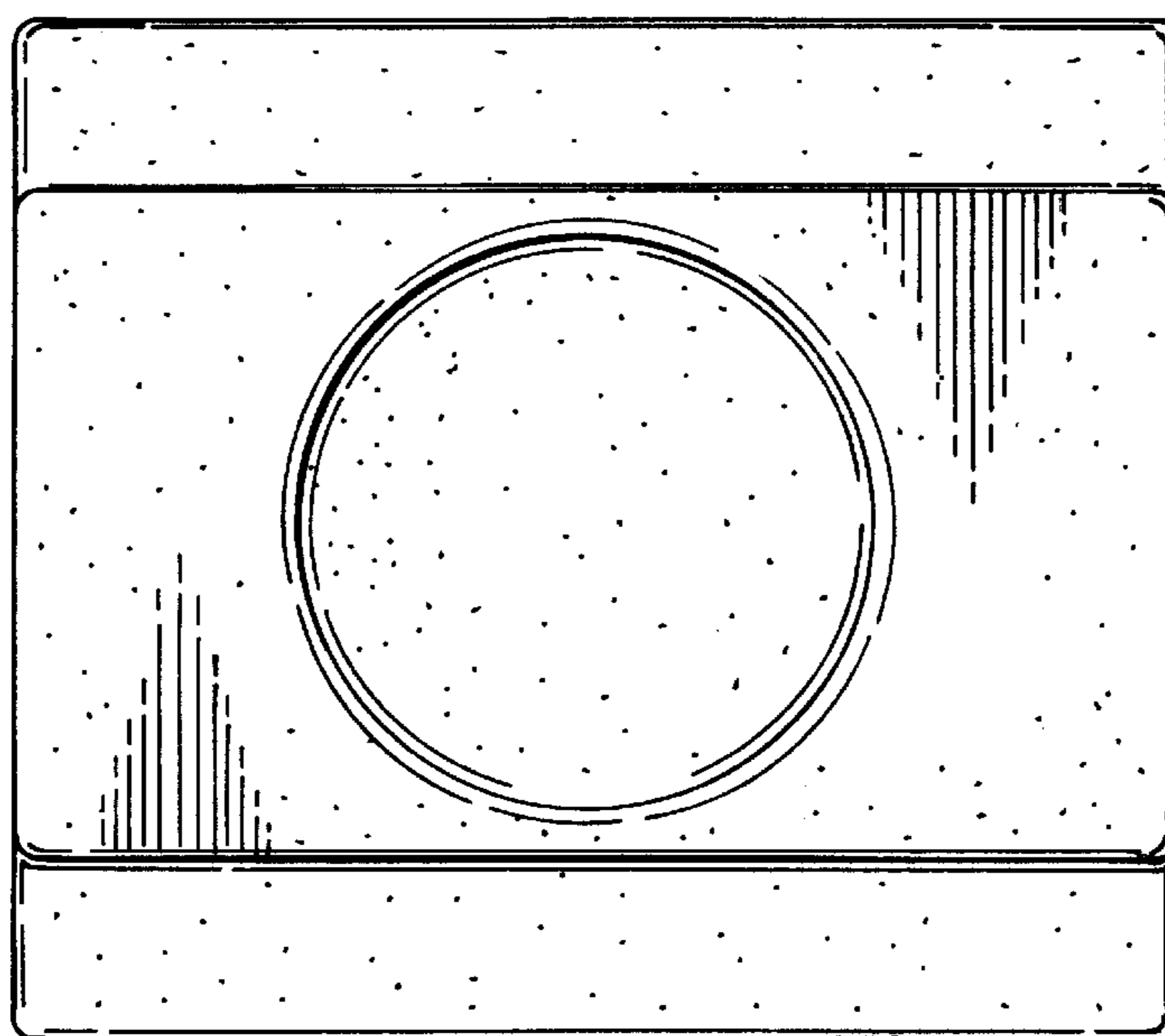


FIG-5