



US00D450910B1

(12) **United States Design Patent**
Zaldumbide

(10) **Patent No.:** **US D450,910 S**

(45) **Date of Patent:** **** Nov. 27, 2001**

(54) **COVER FOR SEAT BELT BUCKLE**

(74) *Attorney, Agent, or Firm*—William C. Crutcher

(76) **Inventor:** **Edward R. Zaldumbide**, 75 Railroad Ave., Beacon Falls, CT (US) 06403

(57) **CLAIM**

(**) **Term:** **14 Years**

The ornamental design for a cover for seat belt buckle, as shown and described.

(21) **Appl. No.:** **29/135,037**

DESCRIPTION

(22) **Filed:** **Jan. 5, 2001**

FIGS. 1–5 illustrate a preferred embodiment of the cover for a seat belt buckle in which:

(51) **LOC (7) Cl.** **02-07**

FIG. 1 is a side elevation view,

(52) **U.S. Cl.** **D2/639**

FIG. 2 is a rear end elevation view,

(58) **Field of Search** D2/627, 628, 639;
D8/383; D11/200, 201; 24/580, 625, 633,
650; 224/309; 297/464; 280/801.1, 801.2,
808

FIG. 3 is a front elevation view,

FIG. 4 is a top plan view, and

FIG. 5 is a bottom plan view.

FIGS. 6–10 illustrate another preferred embodiment of the cover for a seat belt buckle in which:

(56) **References Cited**

FIG. 6 is a side elevation view,

FIG. 7 is a rear end elevation view,

U.S. PATENT DOCUMENTS

D. 335,472 * 5/1993 Ward D11/201
6,211,793 * 4/2001 Smithson 280/808

FIG. 8 is a front elevation view,

FIG. 9 is a top plan view, and

FIG. 10 is a bottom plan view; and,

FOREIGN PATENT DOCUMENTS

3428955-A1 * 4/1986 (DE) 280/801.1

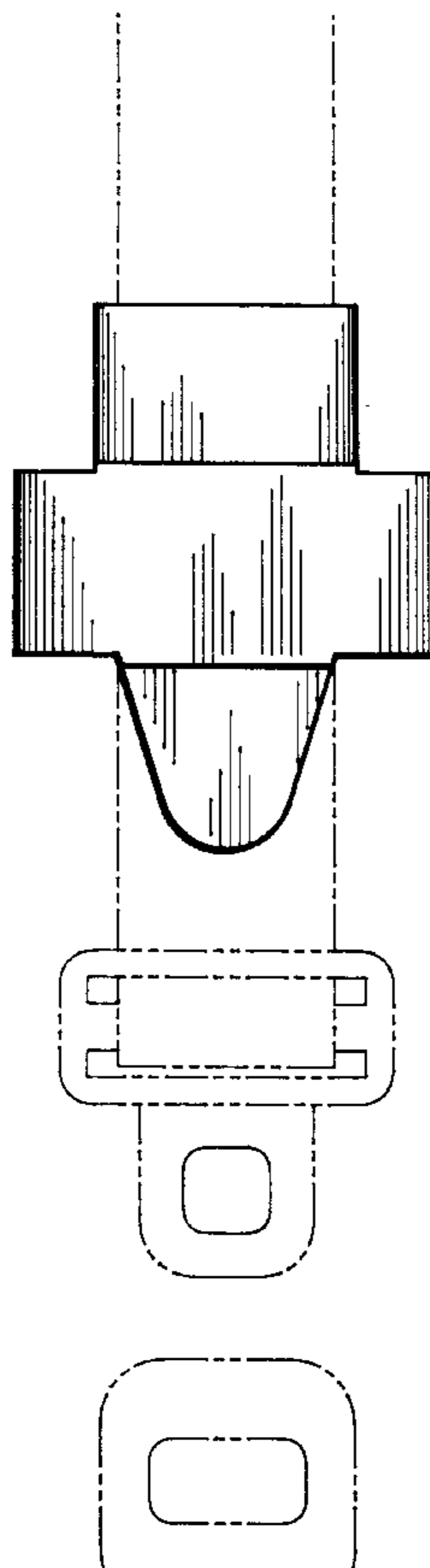
FIG. 11 is a top plan view of the embodiment of FIGS. 1–5, together with portions of an automobile seat belt strap and buckle shown in phantom lines to illustrate the environment in which the invention is used, and not part of the present invention.

* cited by examiner

Primary Examiner—Louis S. Zarfes

Assistant Examiner—Barbara Wyatt Crawford

1 Claim, 3 Drawing Sheets



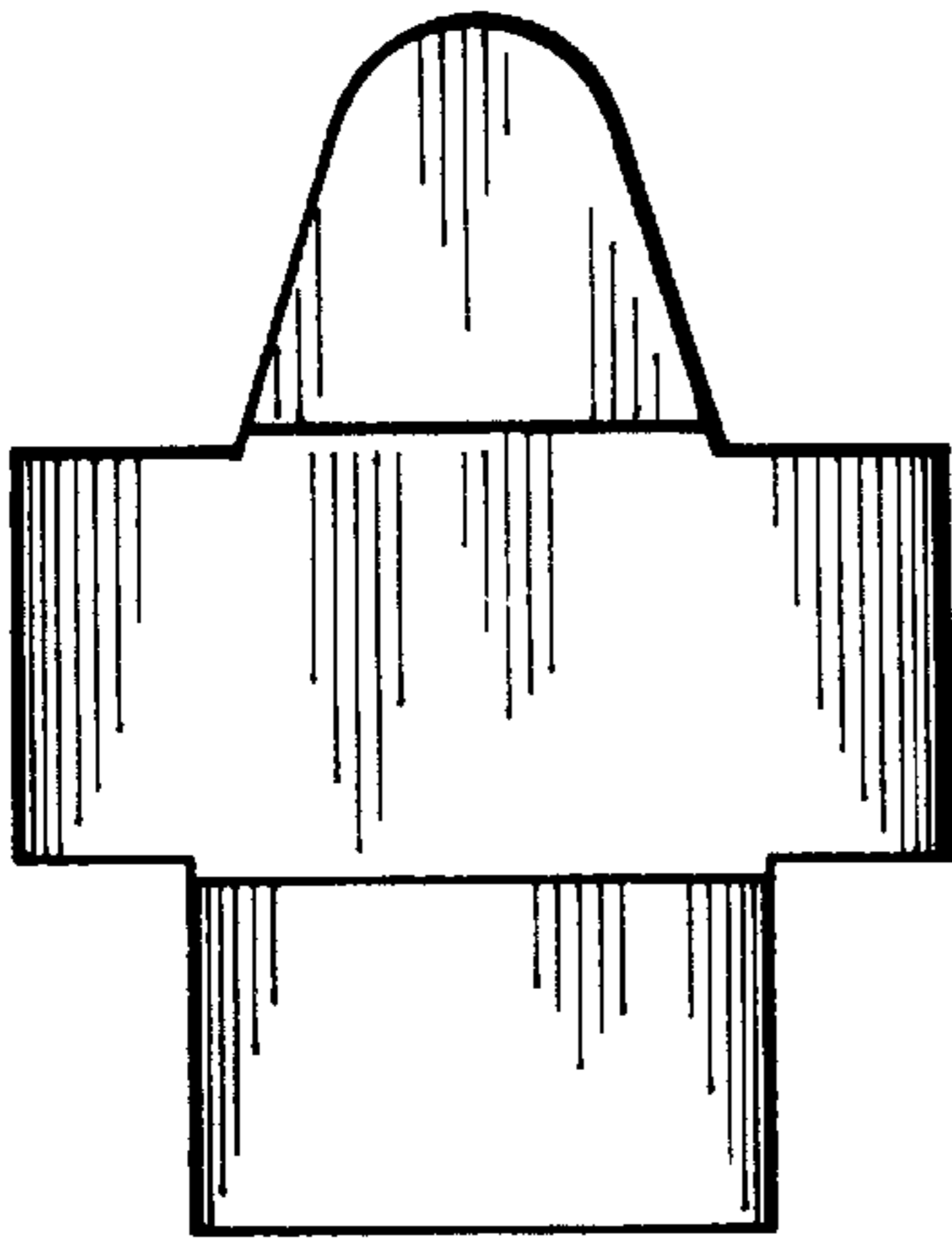


Fig. 4



Fig. 1

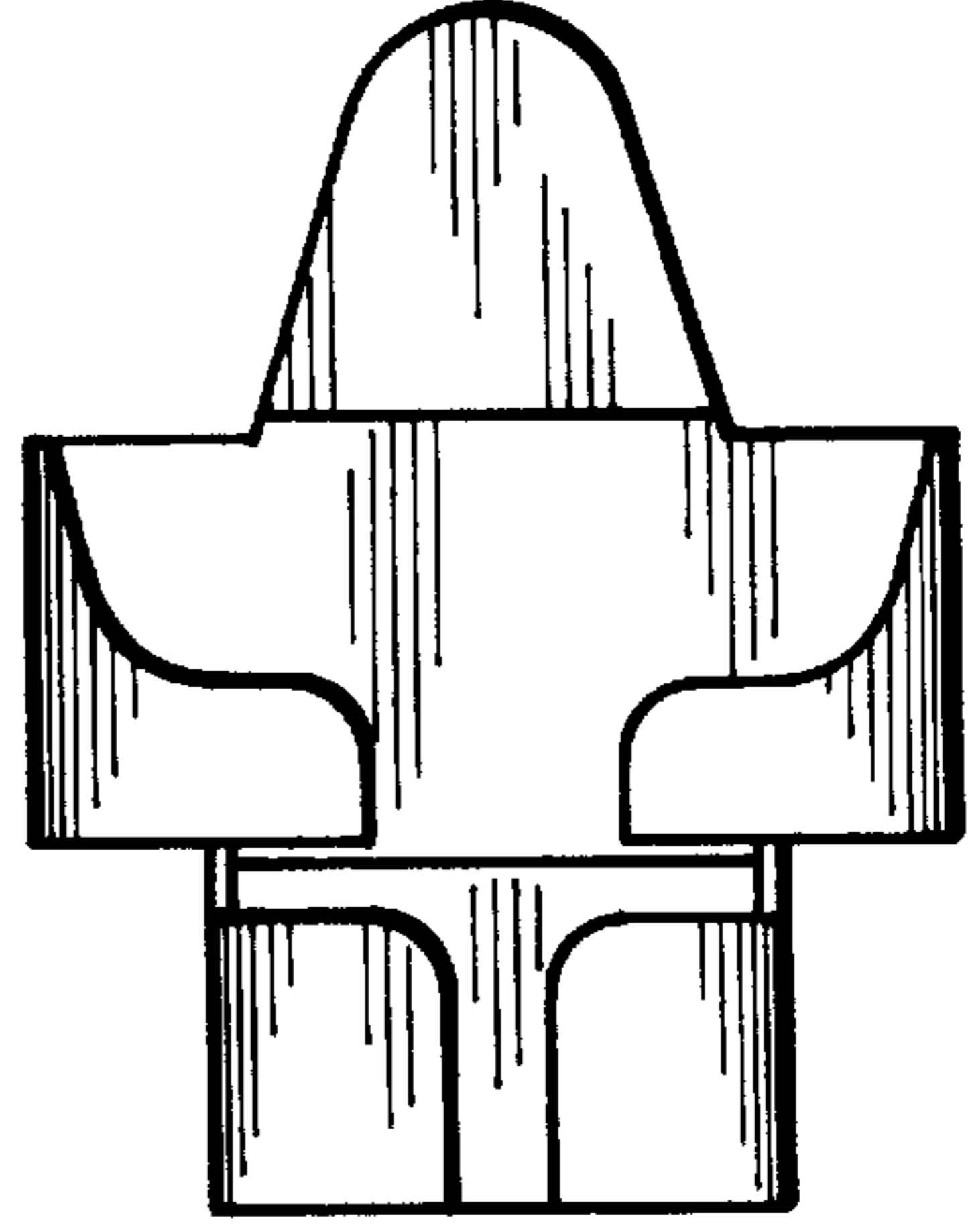


Fig. 5



Fig. 3



Fig. 2

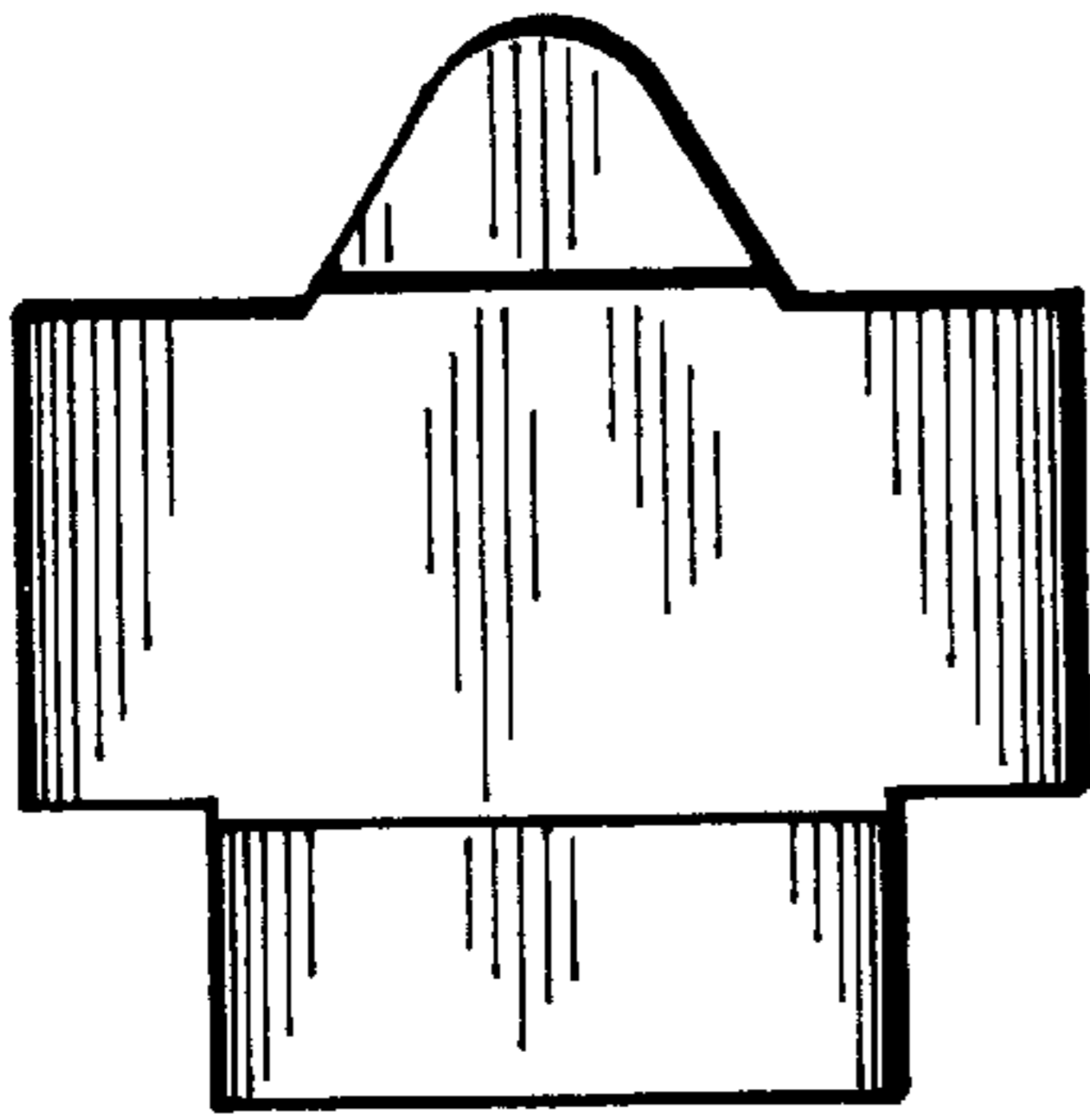


Fig. 9



Fig. 6

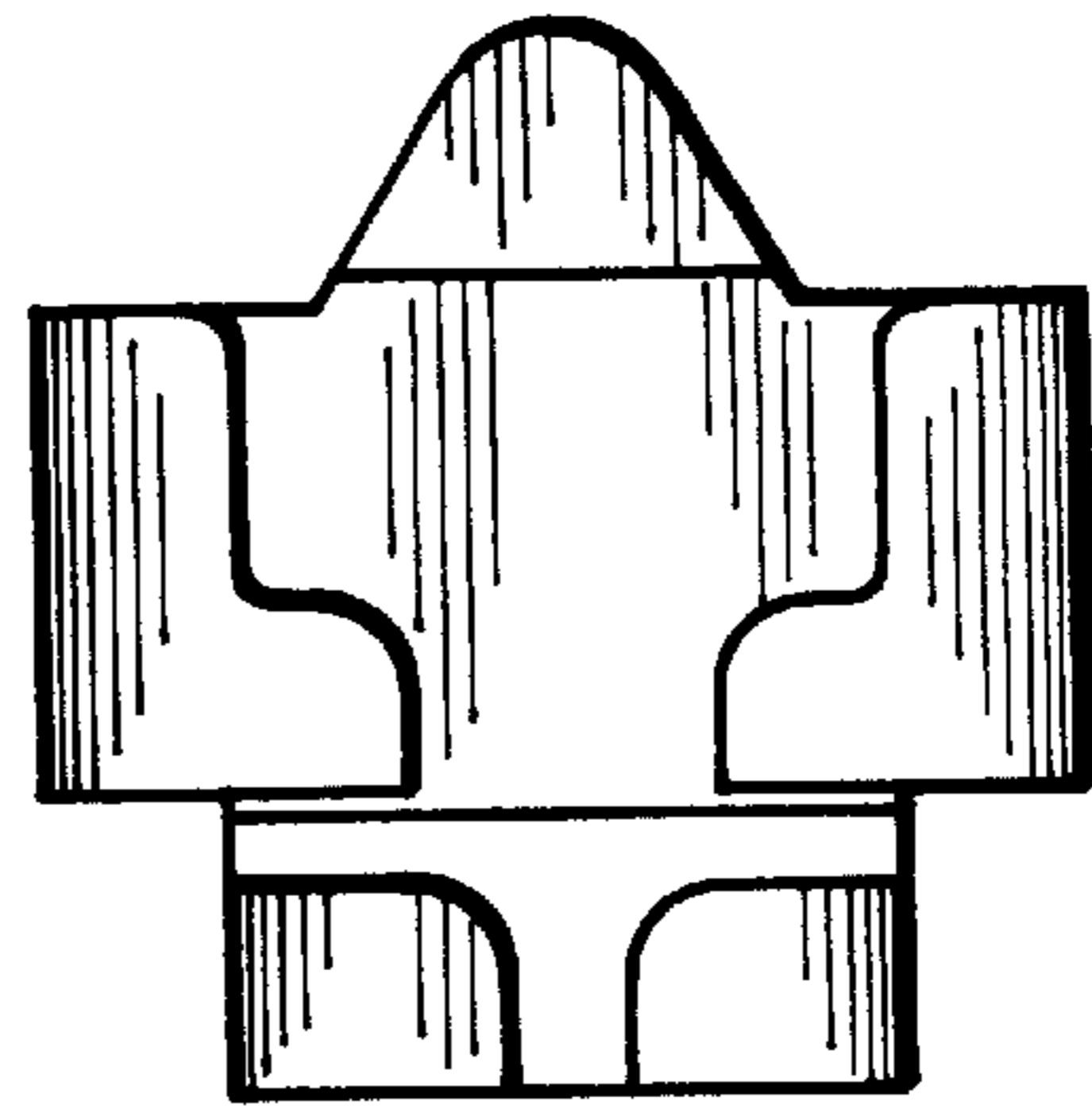


Fig. 10



Fig. 7



Fig. 8

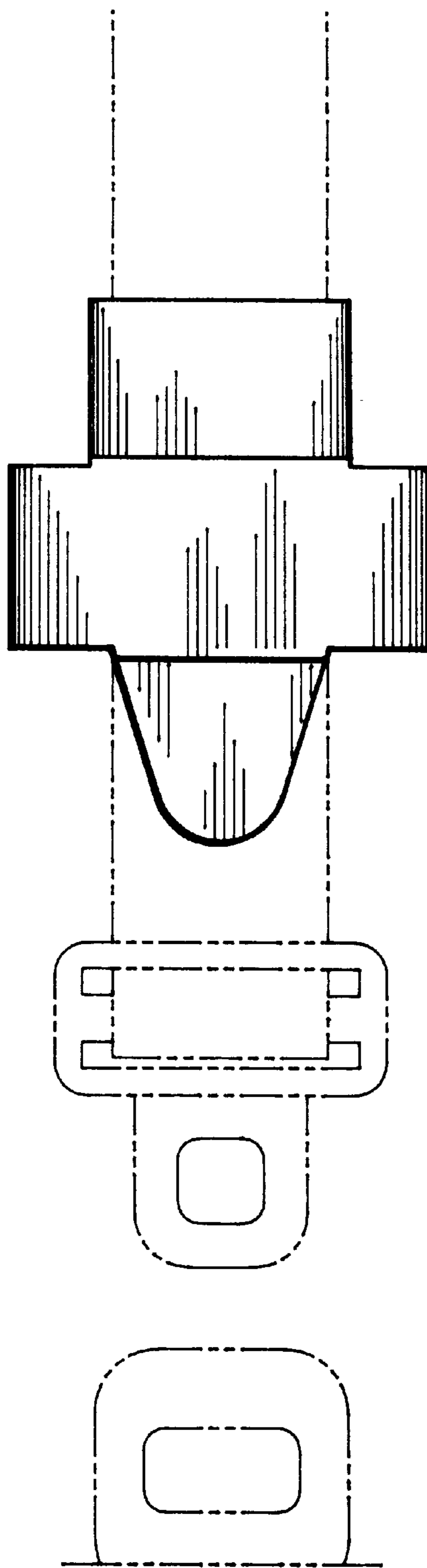


Fig. 11