



US00D450907B1

(12) **United States Design Patent**
Chou

(10) **Patent No.:** **US D450,907 S**

(45) **Date of Patent:** **** Nov. 20, 2001**

(54) **PAPER CURRENCY MACHINE**

(75) Inventor: **Shang-Ter Chou**, Taoyuan Hsien (TW)

(73) Assignee: **Gamemax Corporation**, Taipei (TW)

(**) Term: **14 Years**

(21) Appl. No.: **29/137,288**

(22) Filed: **Feb. 20, 2001**

(51) **LOC (7) Cl.** **99-00**

(52) **U.S. Cl.** **D99/34**

(58) **Field of Search** D99/28, 34, 43;
D18/3.1, 3.2, 3.3; 194/206, 207, 350; 232/1 D,
1 R, 15, 16, 31

(56) **References Cited**

U.S. PATENT DOCUMENTS

- D. 294,834 * 3/1988 McDonald D18/3.3
- D. 371,887 * 7/1996 Minagawa et al. D99/34
- 4,434,931 * 3/1984 Hunt et al. 232/15

4,949,901 * 8/1990 Harris 232/15

5,544,728 * 8/1996 Dabrowski 194/206

5,730,271 * 3/1998 Buchman et al. 194/206

* cited by examiner

Primary Examiner—Paula A. Mortimer

(74) *Attorney, Agent, or Firm*—Bacon & Thomas, PLLC

(57) **CLAIM**

The ornamental design for a paper currency machine, as shown and described.

DESCRIPTION

FIG. 1 is a perspective view of a paper currency machine showing my design;

FIG. 2 is a front view thereof;

FIG. 3 is a rear view thereof;

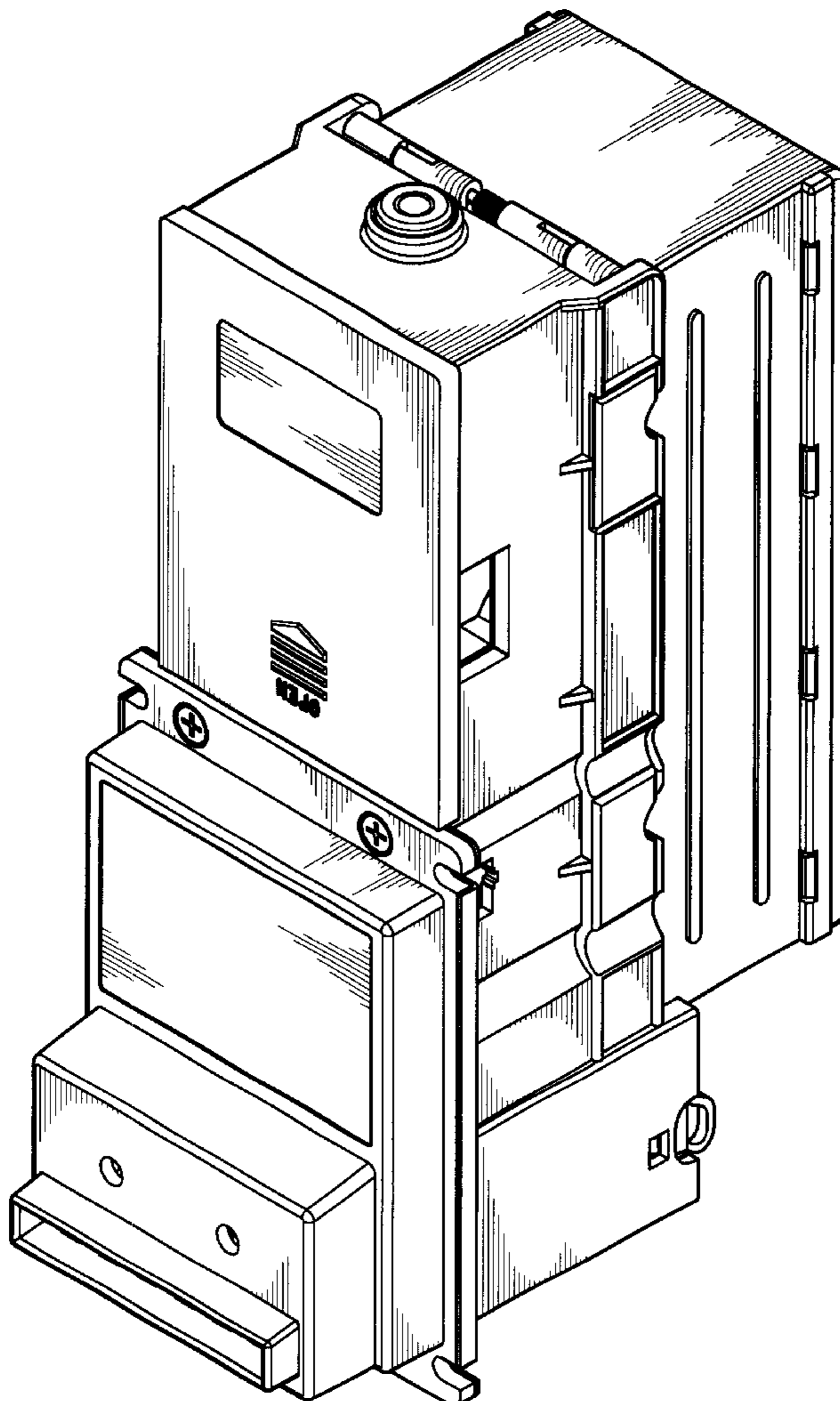
FIG. 4 is a left side view thereof;

FIG. 5 is a right side view thereof;

FIG. 6 is a top view thereof; and,

FIG. 7 is a bottom view thereof.

1 Claim, 7 Drawing Sheets



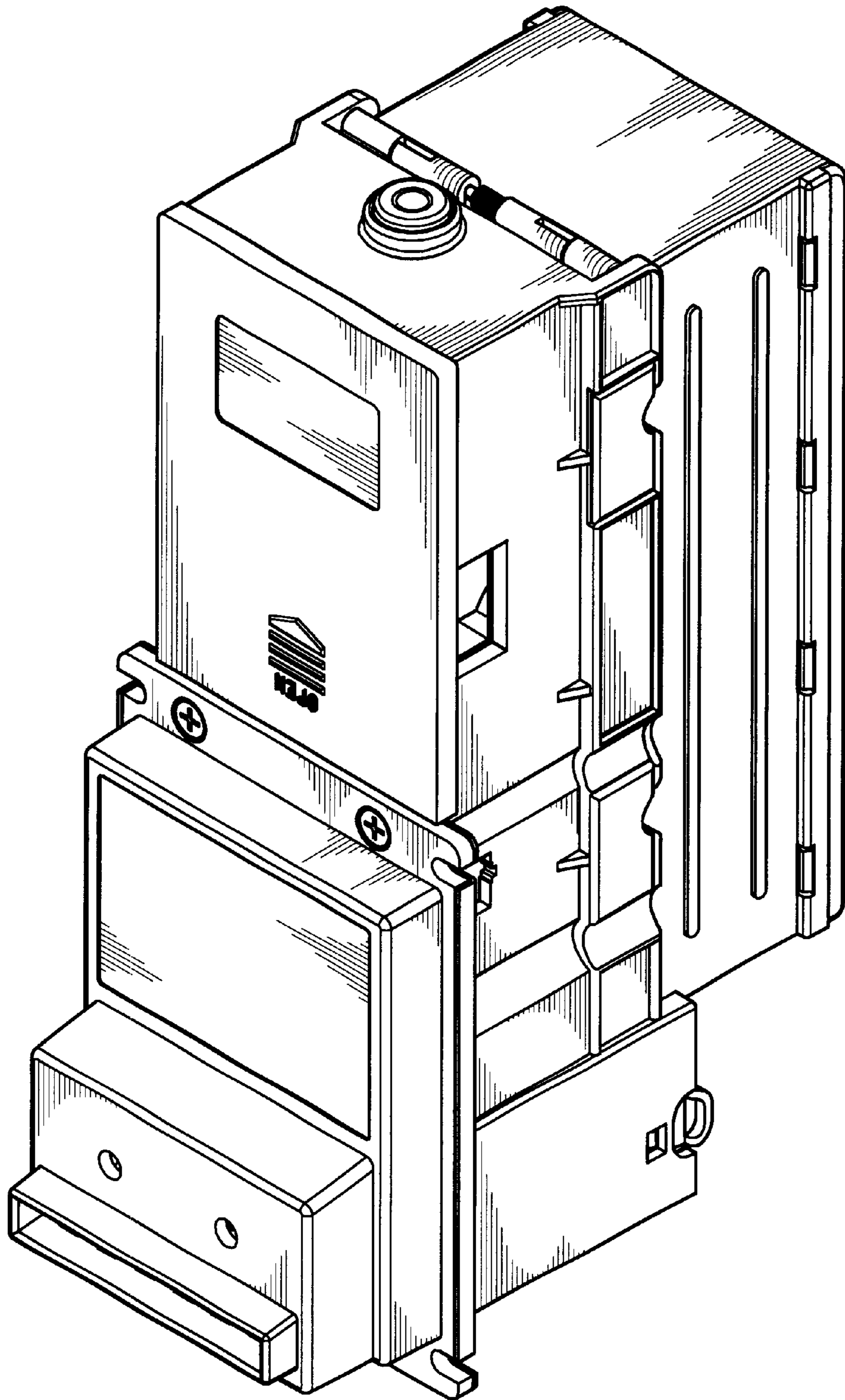


FIG. 1

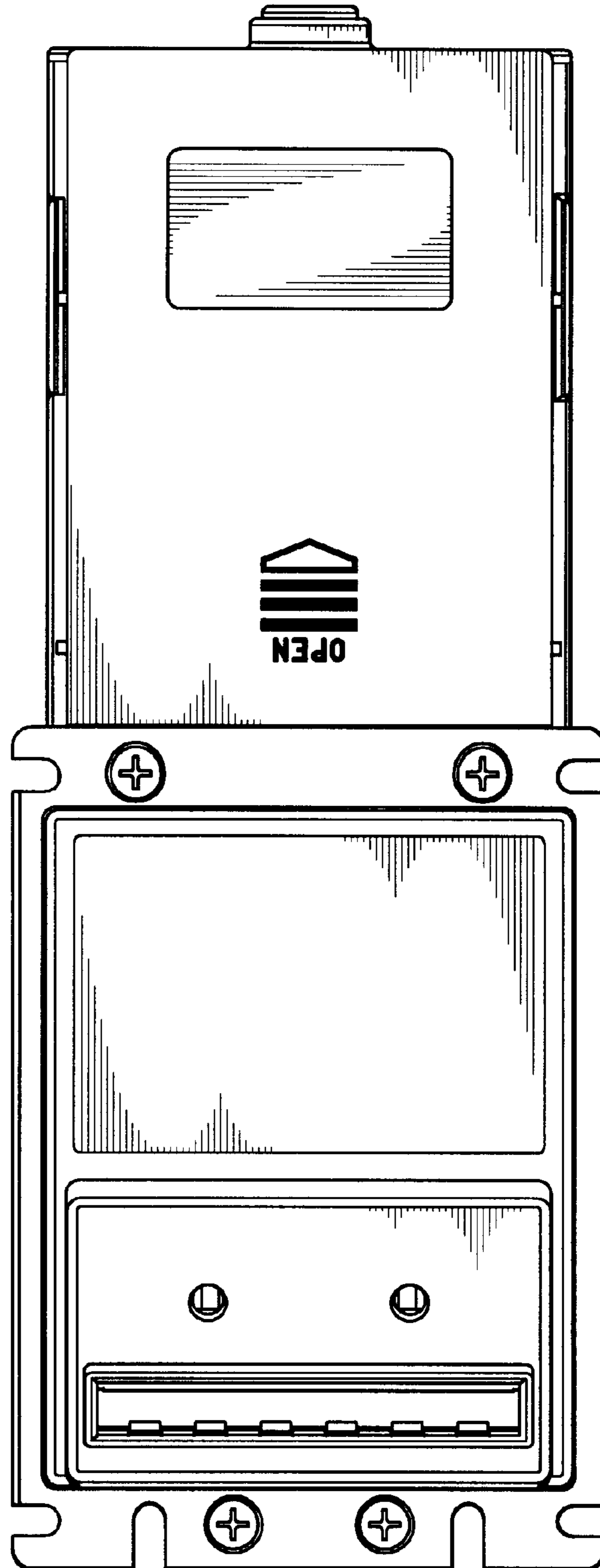


FIG. 2

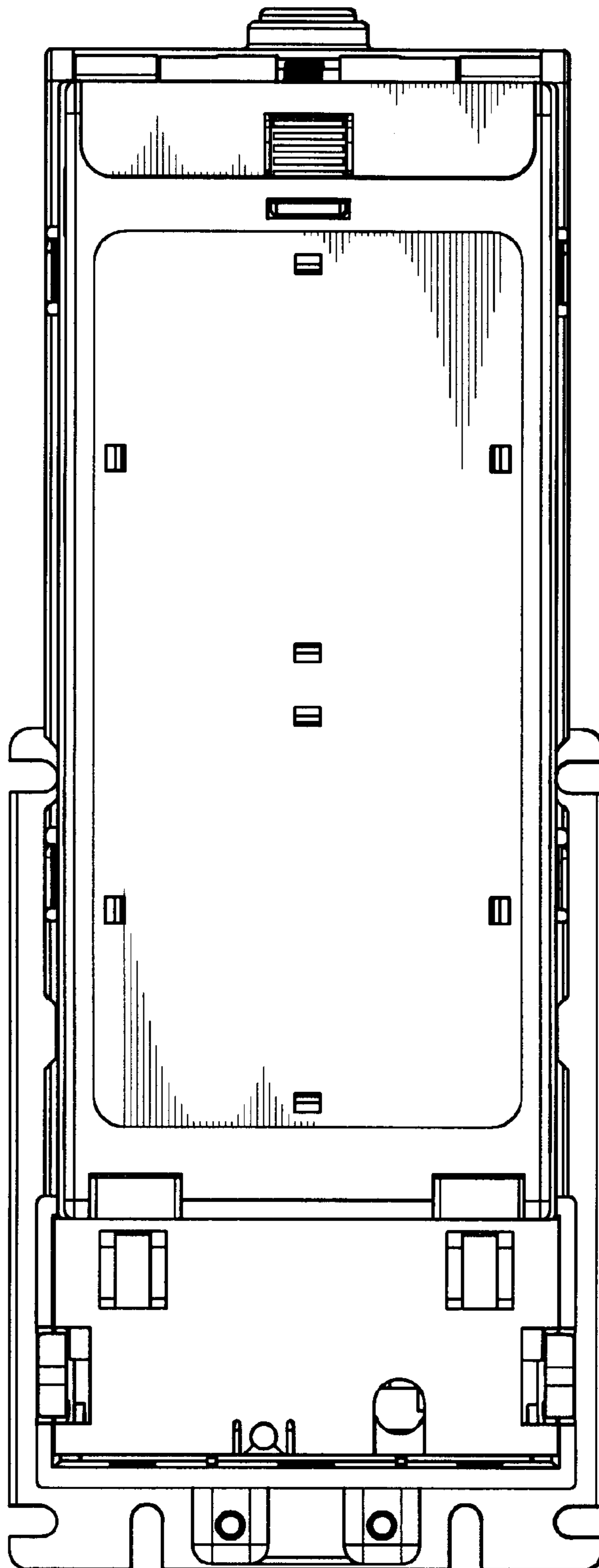


FIG. 3

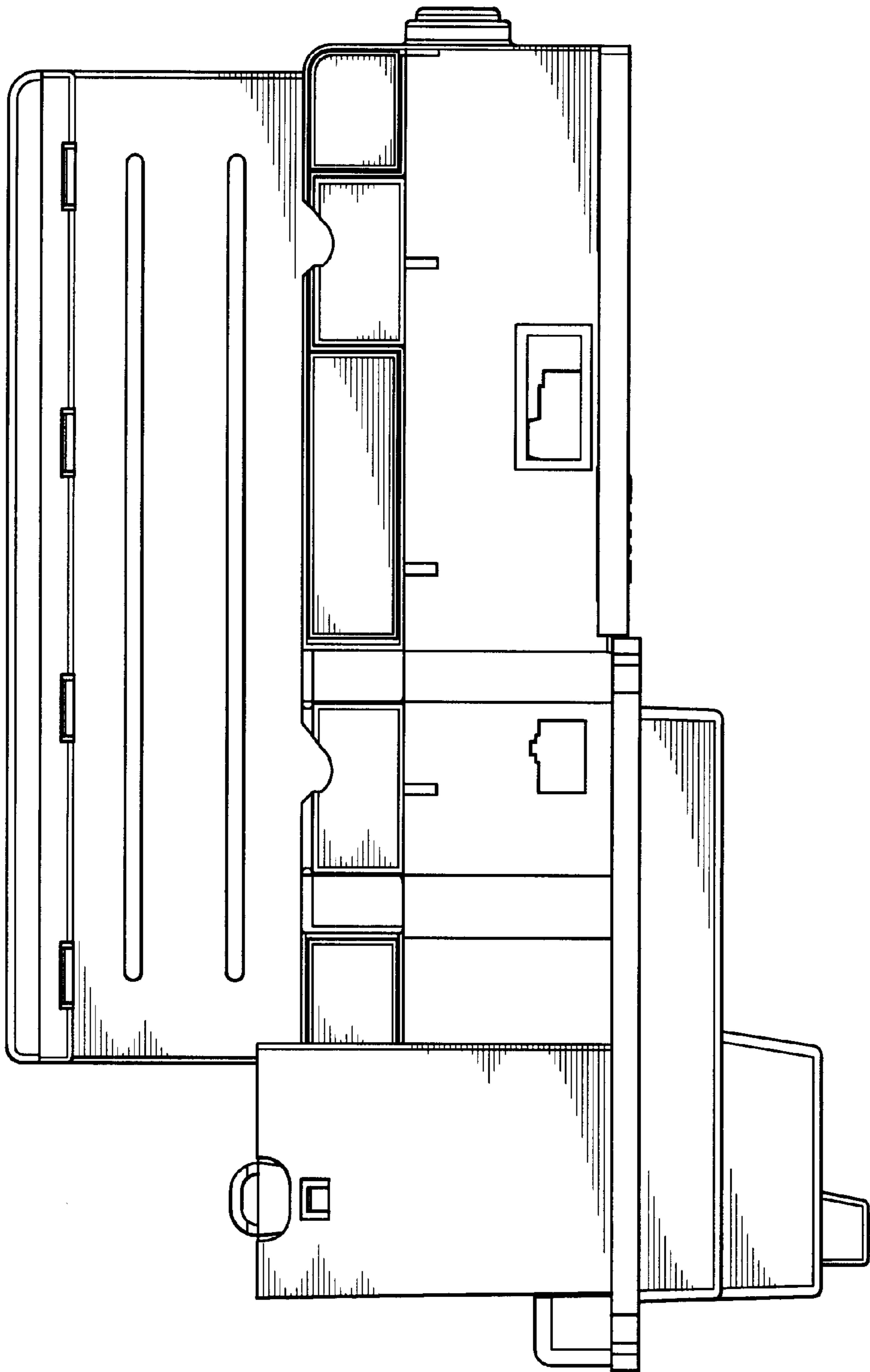


FIG. 4

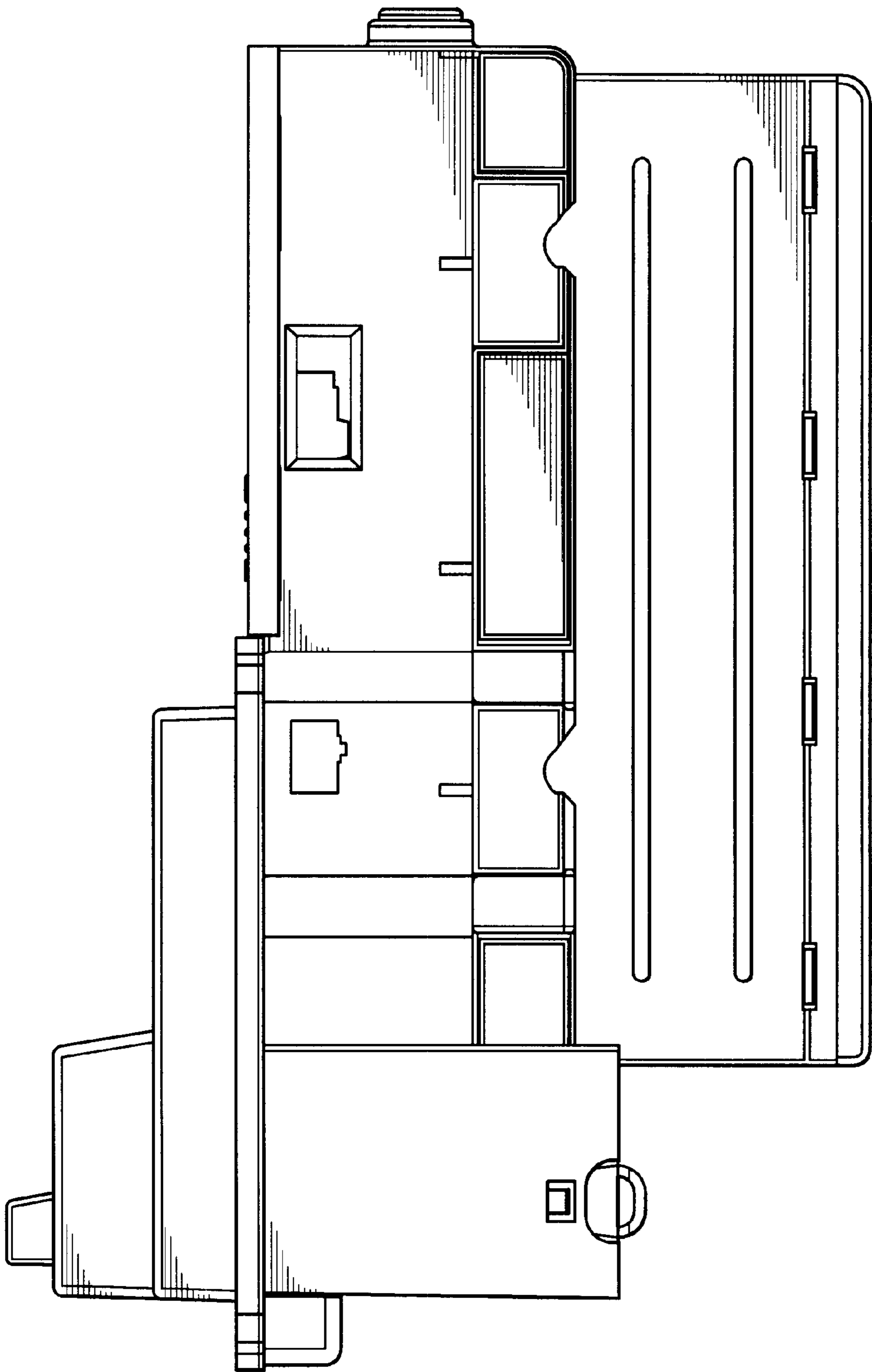


FIG. 5

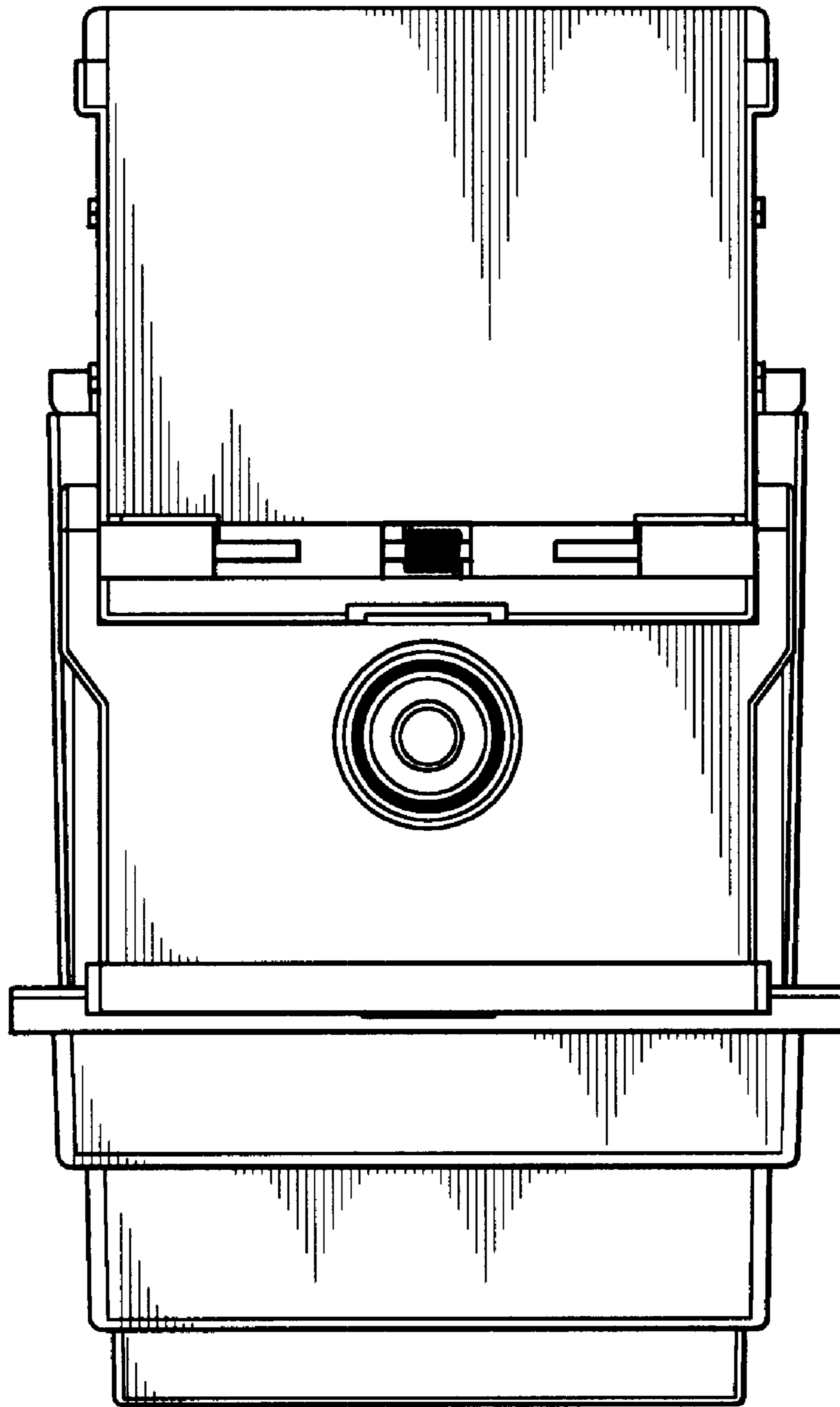


FIG. 6

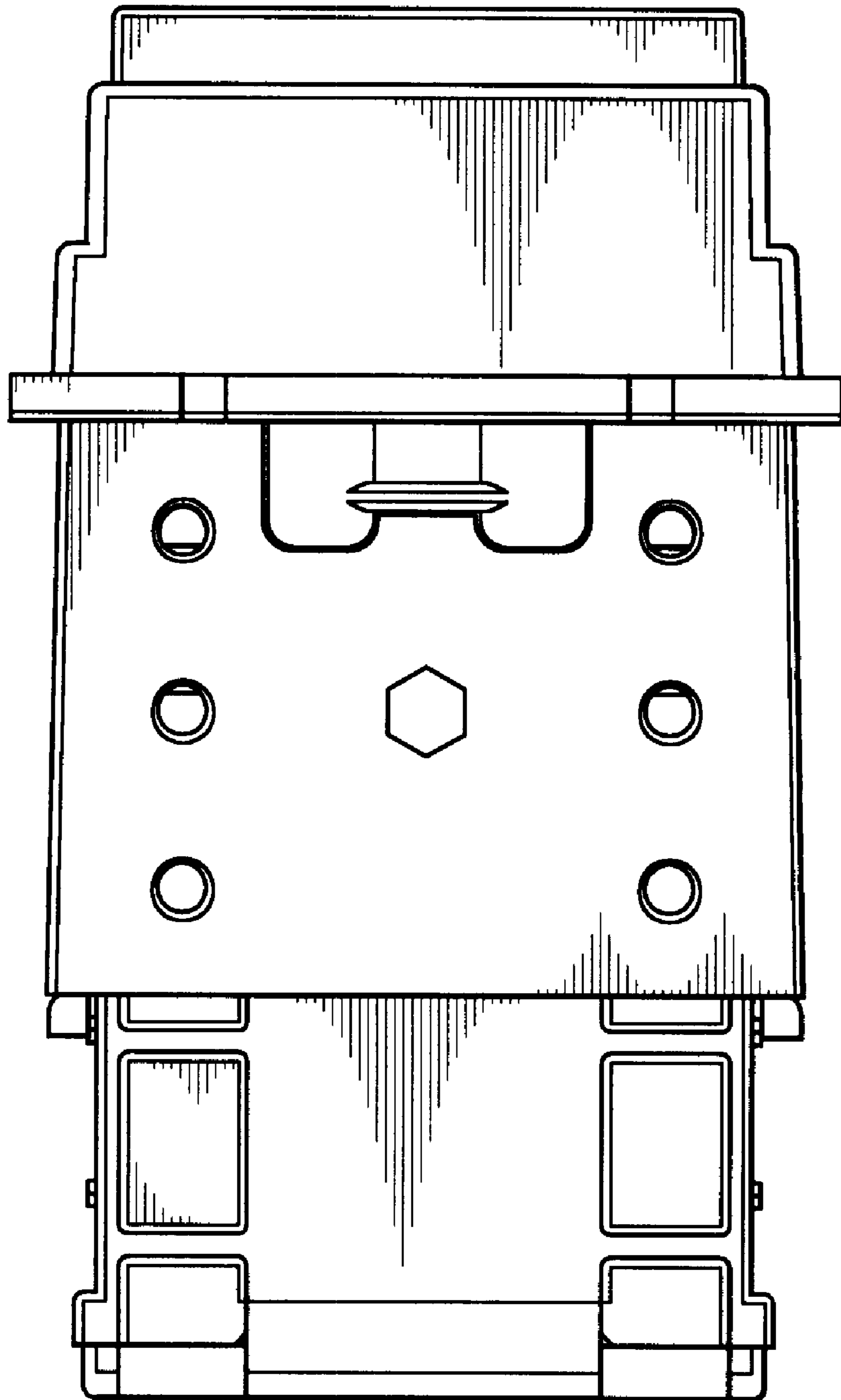


FIG. 7