



US00D450903B1

(12) **United States Design Patent**  
**Wacker et al.**

(10) **Patent No.:** **US D450,903 S**

(45) **Date of Patent:** **\*\* Nov. 20, 2001**

(54) **CART FOR A COMPUTER STATION**

(75) Inventors: **Mark Wacker**, St. Paul; **Matt Showalter**, Minneapolis, both of MN (US)

(73) Assignee: **Ergotron, Inc.**, Eagan, MN (US)

(\*\*) Term: **14 Years**

(21) Appl. No.: **29/131,109**

(22) Filed: **Oct. 13, 2000**

(51) **LOC (7) Cl.** ..... **12-02**

(52) **U.S. Cl.** ..... **D34/20; D6/425**

(58) **Field of Search** ..... **D34/12-27; D6/422-431, D6/474; 312/194, 195, 196; 108/59, 60, 50, 64, 108**

(56) **References Cited**

**U.S. PATENT DOCUMENTS**

D. 188,099	*	6/1960	Barrett	.....	D34/20
D. 244,924	*	7/1977	Scheibner	.....	D34/20
D. 407,233	*	3/1999	Naas et al.	.....	D6/425
D. 425,727	*	5/2000	Ishikawa	.....	D6/425

\* cited by examiner

*Primary Examiner*—Kay H. Chin

(74) *Attorney, Agent, or Firm*—Schwegman, Lundberg, Woessner & Kluth, P.A.

(57) **CLAIM**

The ornamental design for a cart for a computer station, as shown and described.

**DESCRIPTION**

FIG. 1 is a perspective view of a cart for a computer station, incorporating the new design.

FIG. 2 is a front elevation of the cart for a computer station of FIG. 1.

FIG. 3 is a top plan of the cart for a computer station of FIG. 1.

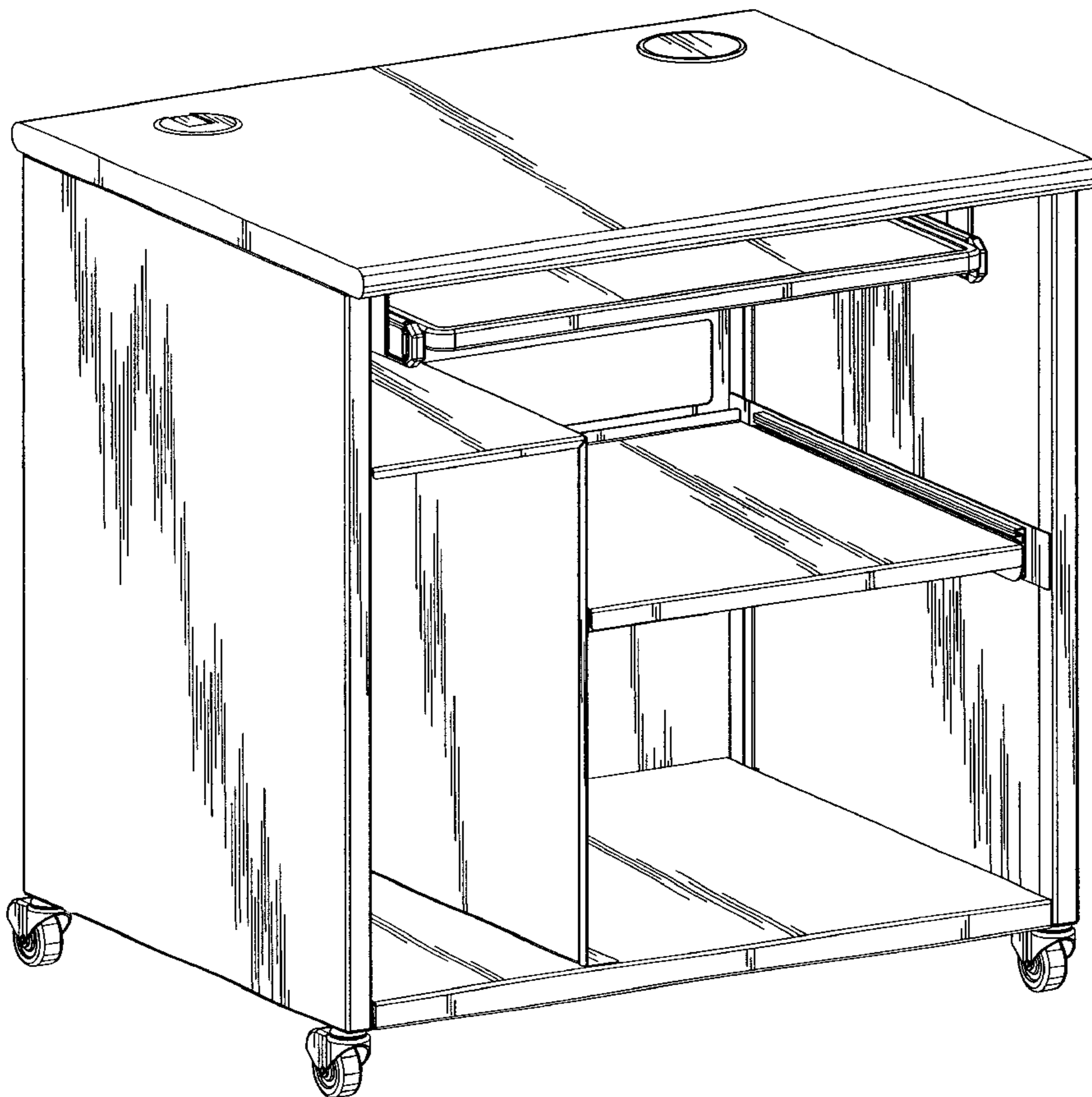
FIG. 4 is a rear elevation of the cart for a computer station of FIG. 1.

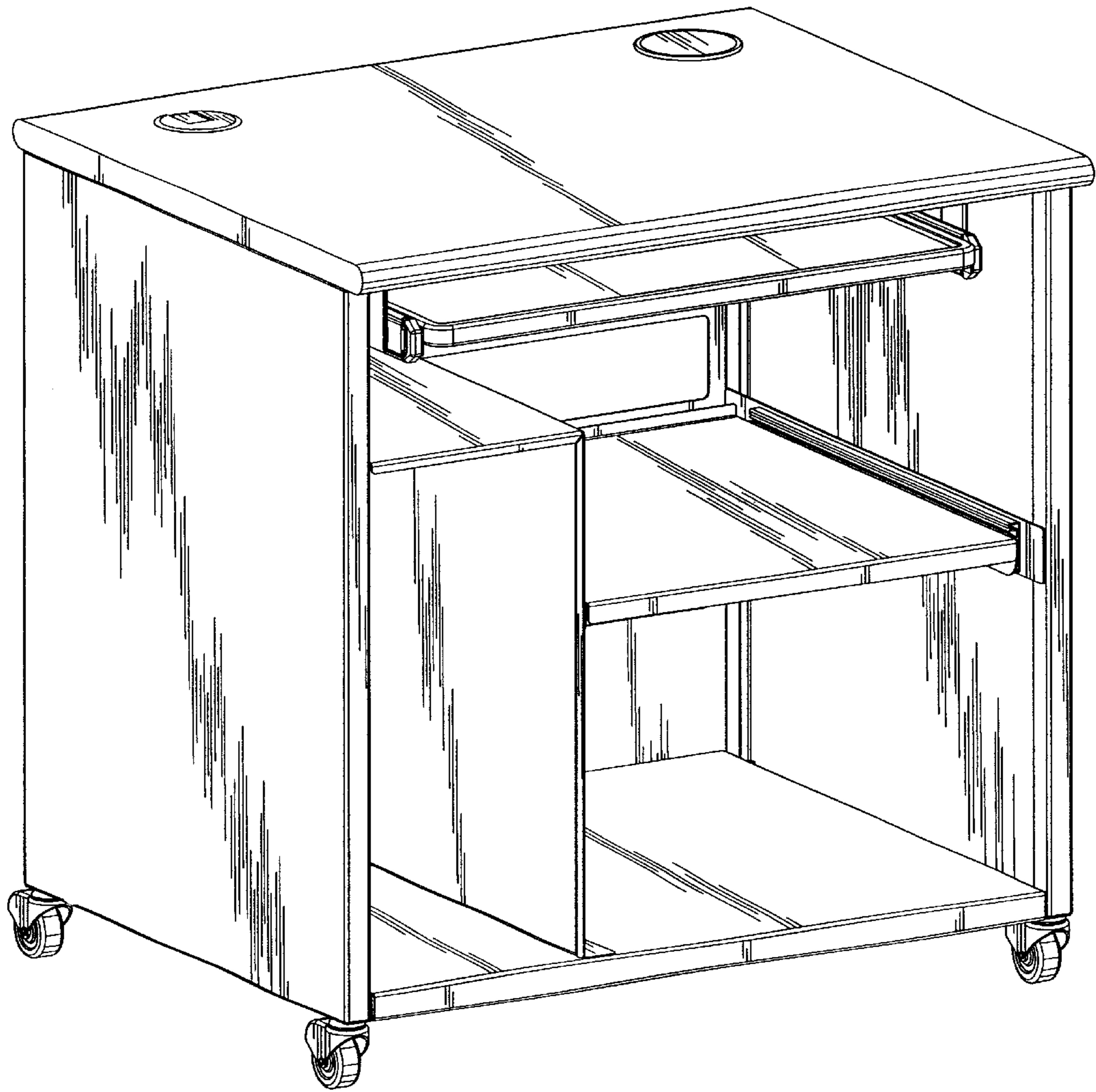
FIG. 5 is a bottom plan of the cart for a computer station of FIG. 1.

FIG. 6 is a right side elevation the cart for a computer station of FIG. 1; and,

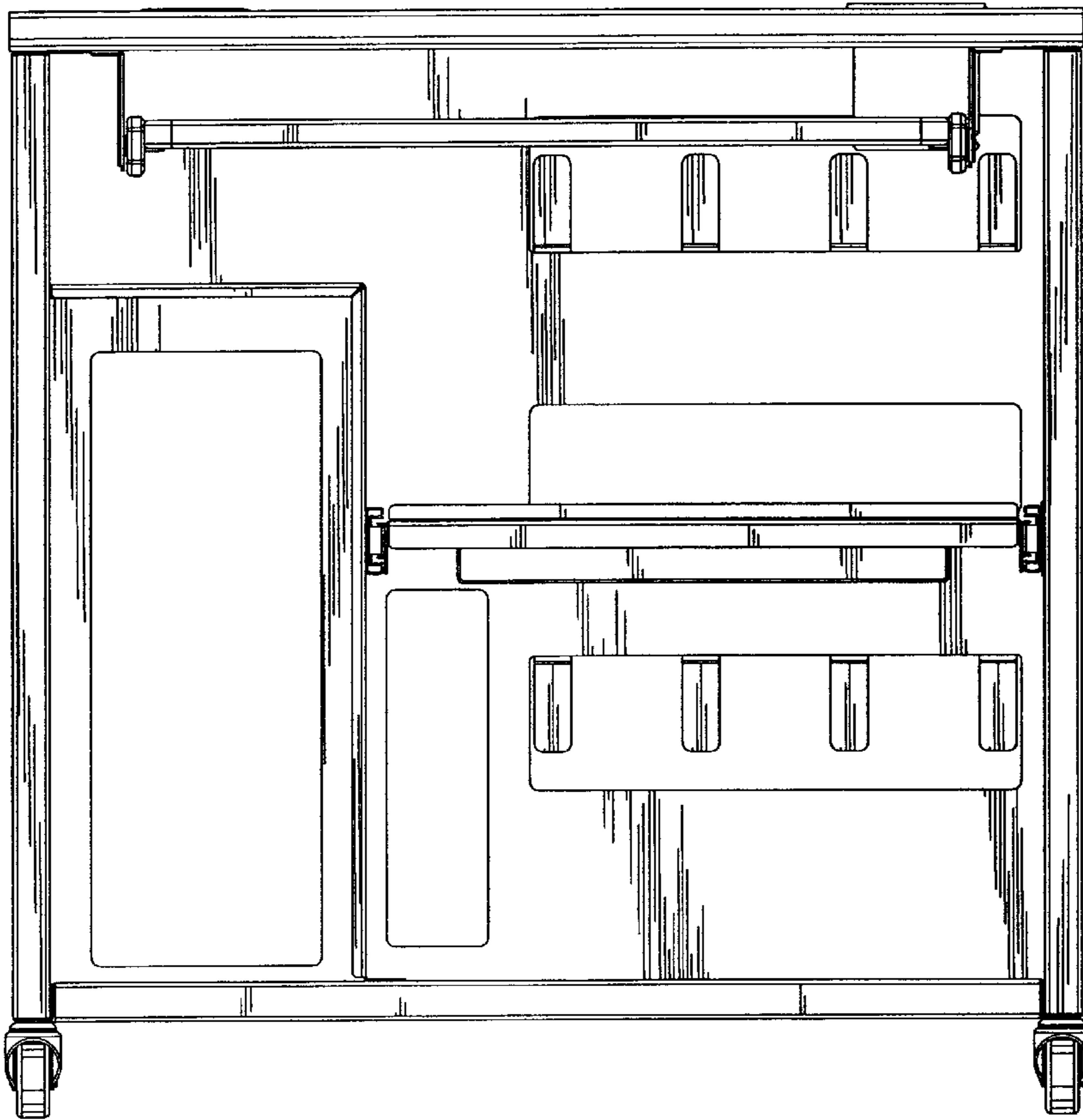
FIG. 7 is a left side elevation the cart for a computer station of FIG. 1.

**1 Claim, 4 Drawing Sheets**

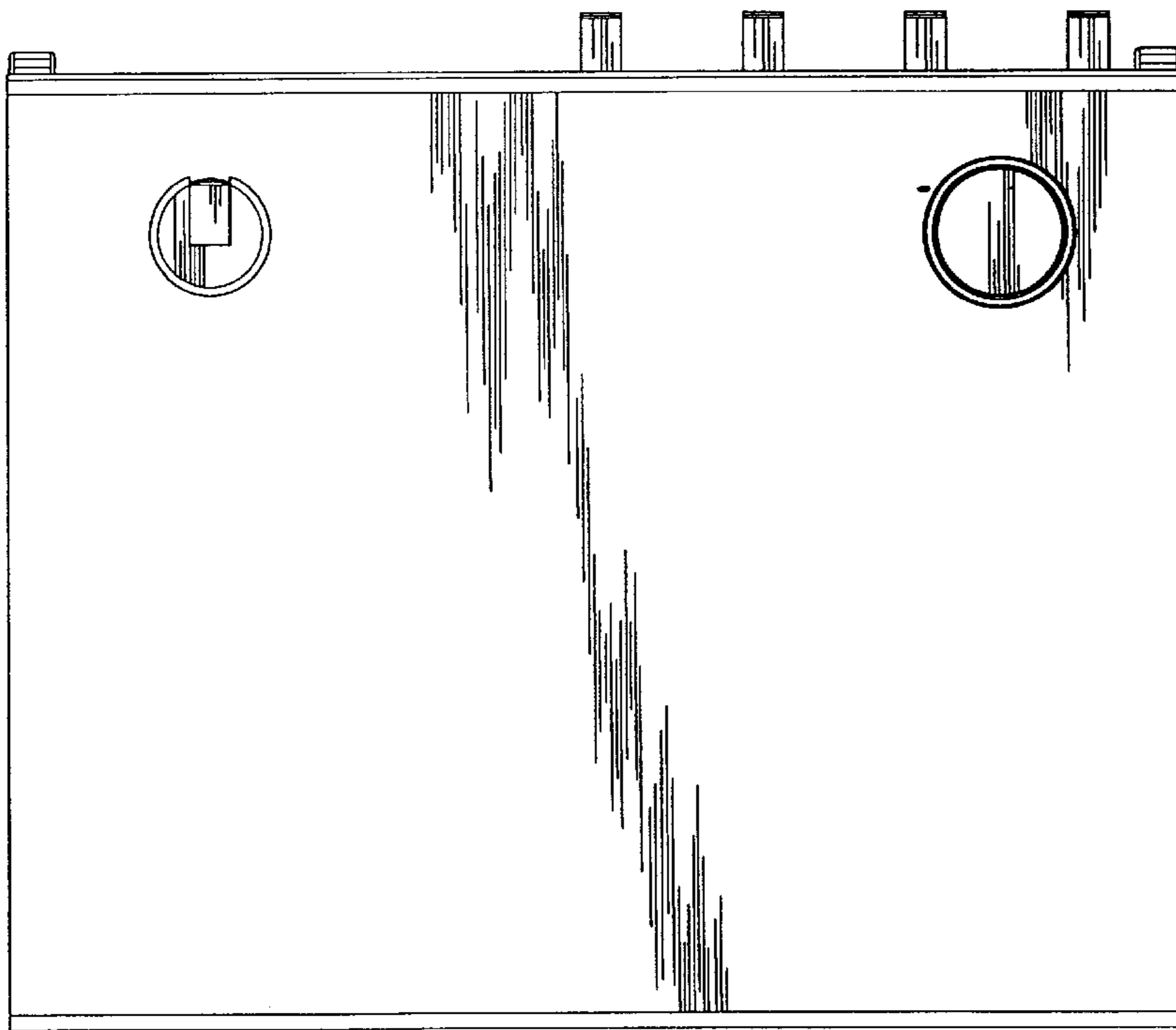




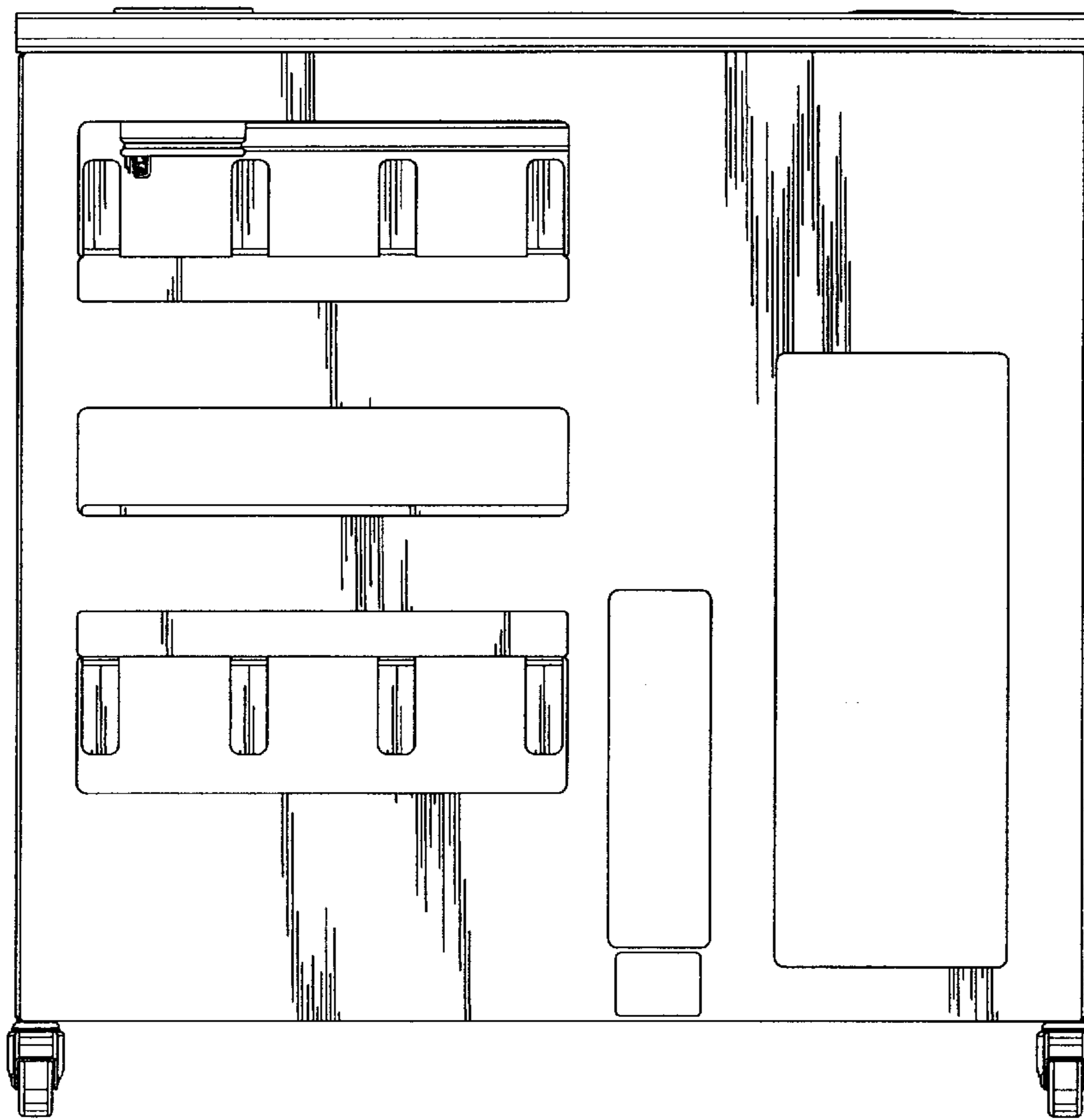
*Fig. 1*



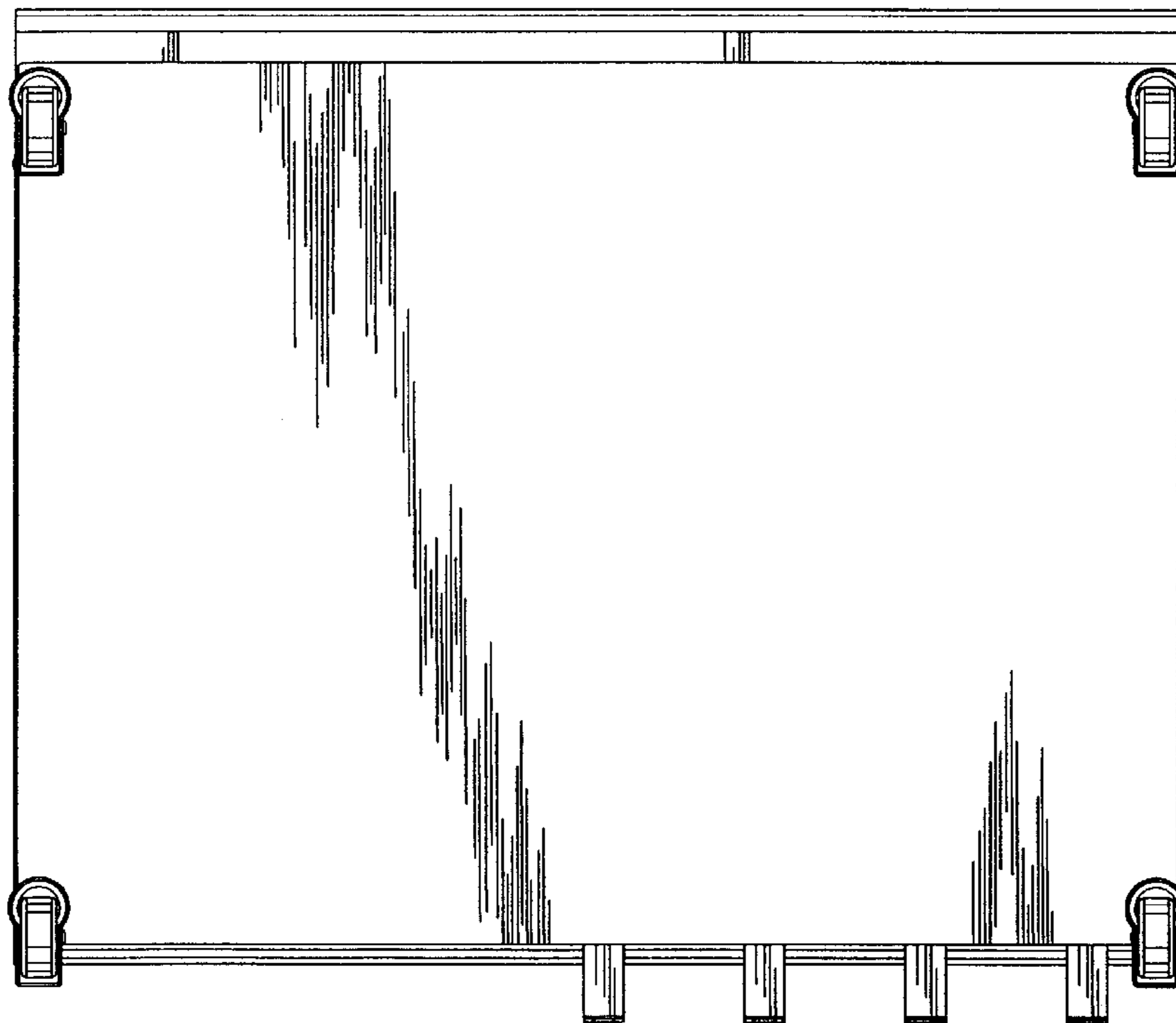
*Fig. 2*



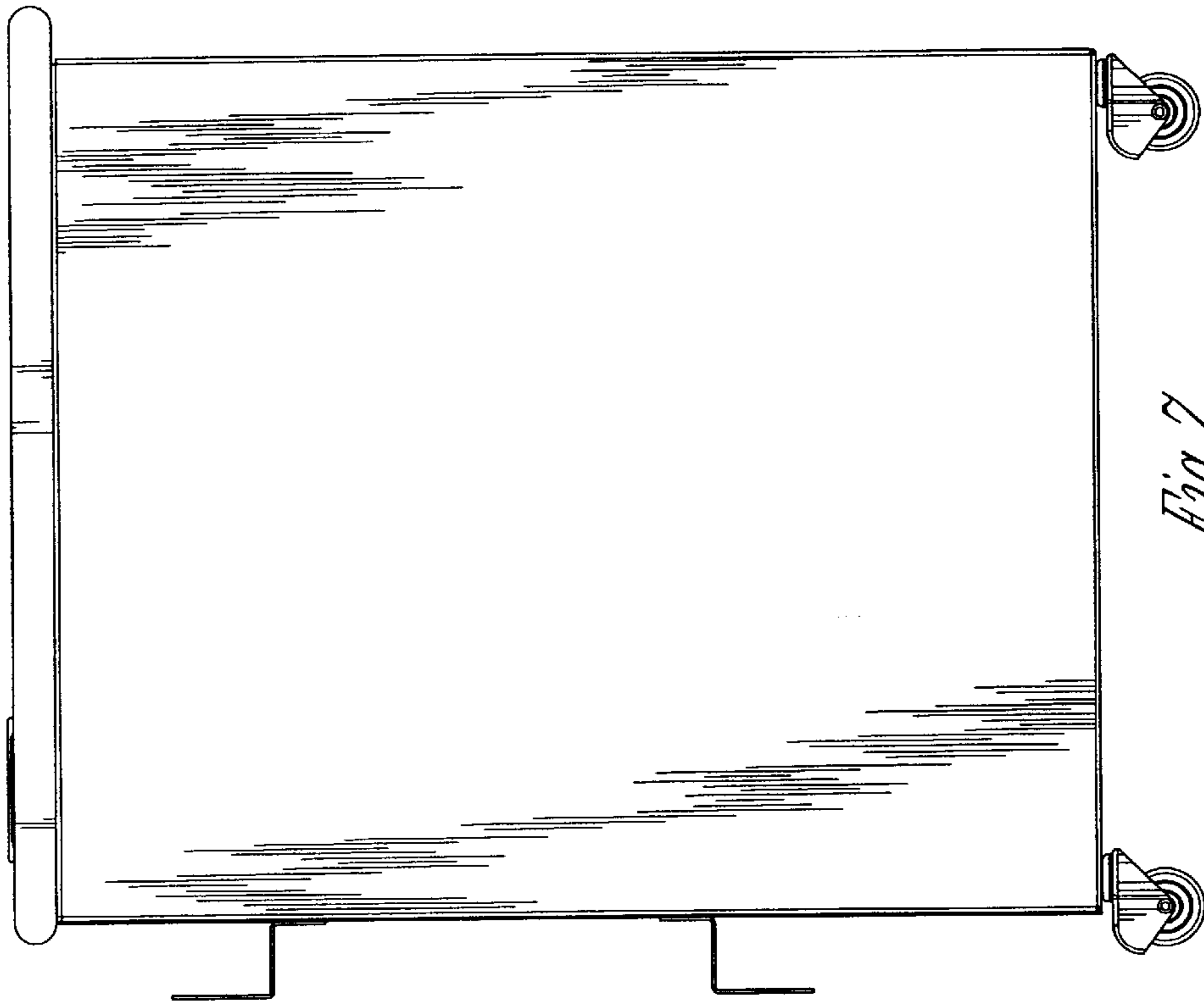
*Fig. 3*



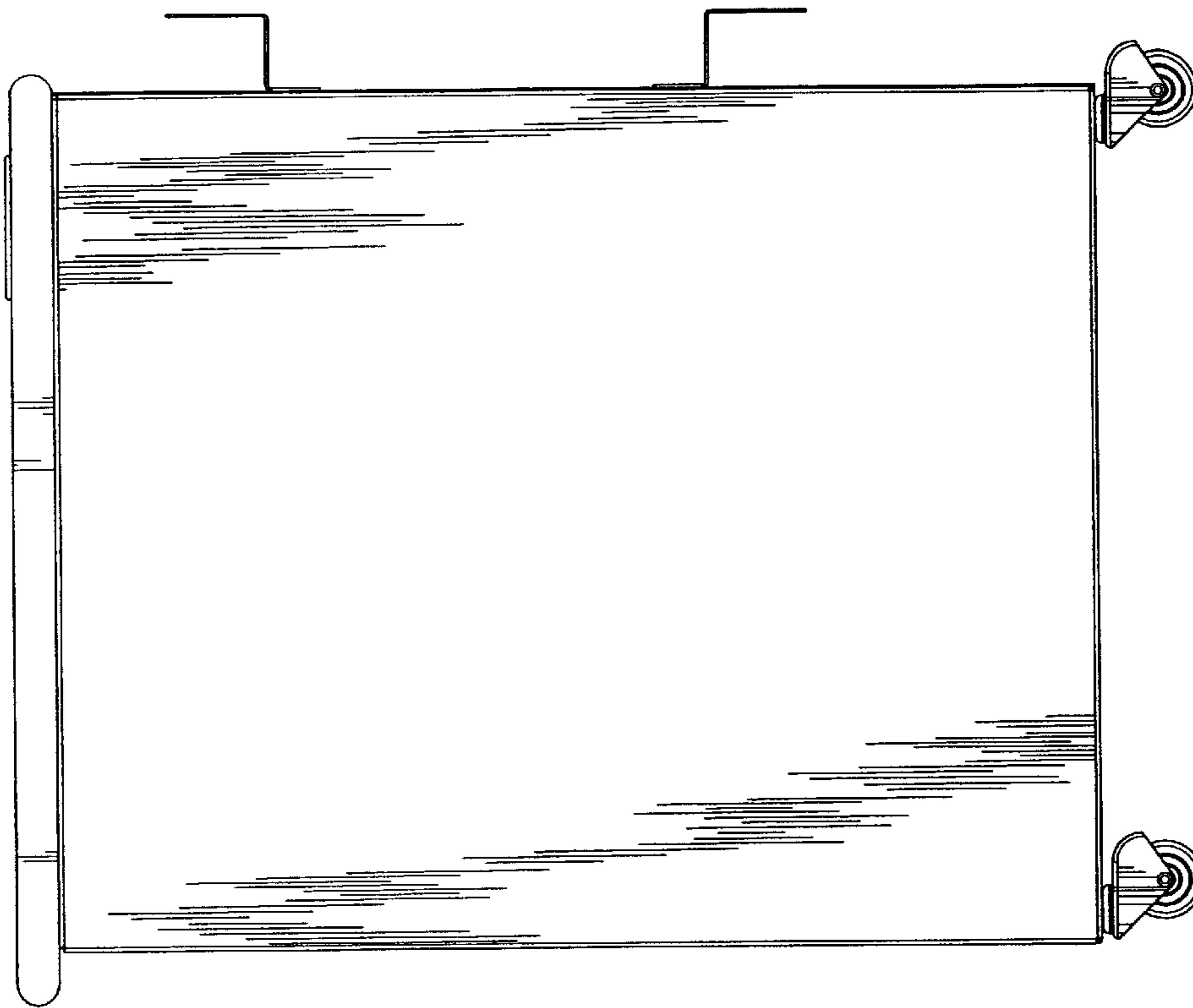
*Fig. 4*



*Fig. 5*



*Fig. 7*



*Fig. 6*