



US00D450902B1

(12) **United States Design Patent**  
**Liao**

(10) **Patent No.:** **US D450,902 S**

(45) **Date of Patent:** **\*\* Nov. 20, 2001**

(54) **GOLF CART**

D. 438,357 \* 2/2001 Wu ..... D34/15  
6,099,024 \* 8/2000 Liao ..... 280/655

(75) Inventor: **Gordon Liao, Yung Kang (TW)**

\* cited by examiner

(73) Assignee: **Unique Product & Design Co., Ltd.,  
Tainan Hsien (TW)**

*Primary Examiner*—Kay H. Chin

(74) *Attorney, Agent, or Firm*—Pro-Techtor International  
Services

(\*\*) Term: **14 Years**

(57) **CLAIM**

(21) Appl. No.: **29/136,715**

The ornamental design for a golf cart, as shown and  
described.

(22) Filed: **Feb. 5, 2001**

(51) **LOC (7) Cl.** ..... **12-02**

(52) **U.S. Cl.** ..... **D34/15**

(58) **Field of Search** ..... D34/12-27; 280/39,  
280/40, 645, 651, 652, 655, 47.17, 47.18,  
47.131, 47.24, 47.315, 47.26, 47.27, DIG. 6

**DESCRIPTION**

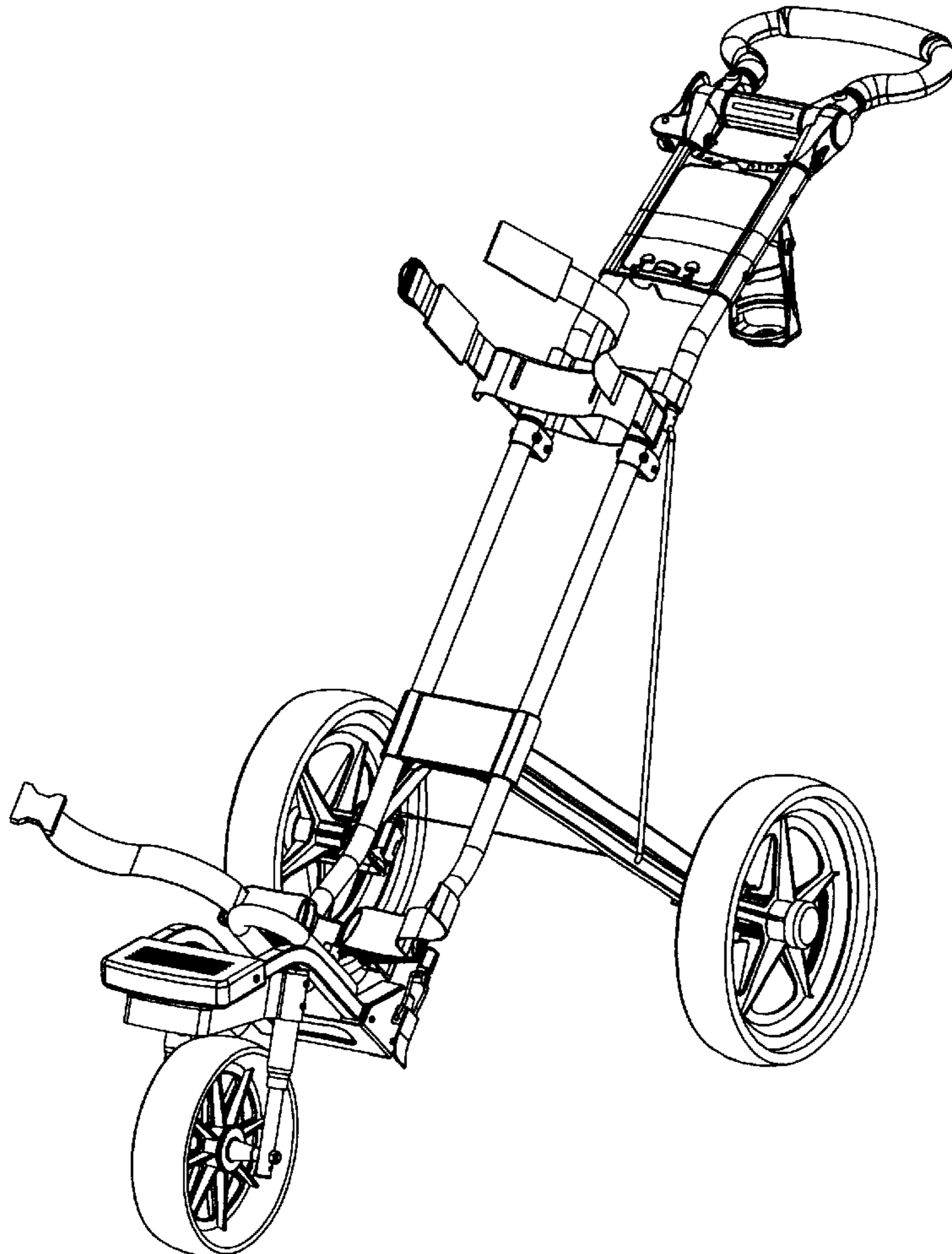
FIG. 1 is a perspective view of a golf cart showing my new  
design;  
FIG. 2 is a right side elevational view thereof;  
FIG. 3 is a top plan view thereof;  
FIG. 4 is a front elevational view thereof;  
FIG. 5 is a bottom plan view thereof;  
FIG. 6 is a left side elevational view thereof;  
FIG. 7 is a rear elevational view thereof; and,  
FIG. 8 is a perspective view thereof in its folded condition.

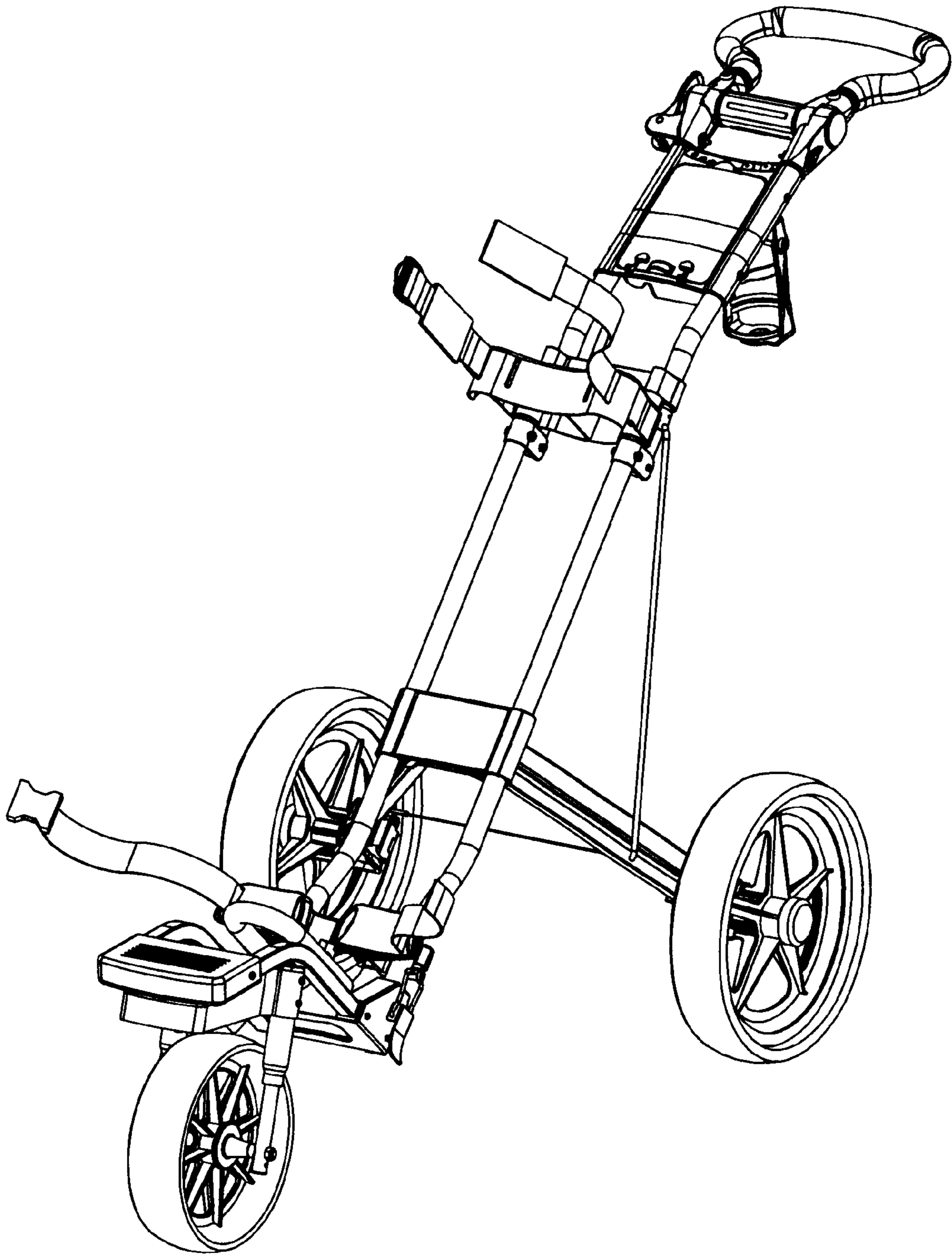
(56) **References Cited**

**U.S. PATENT DOCUMENTS**

D. 436,707 \* 1/2001 Liao ..... D34/15  
D. 437,097 \* 1/2001 Liao ..... D34/15  
D. 437,985 \* 2/2001 Wu ..... D34/15

**1 Claim, 7 Drawing Sheets**





*FIG. 1*

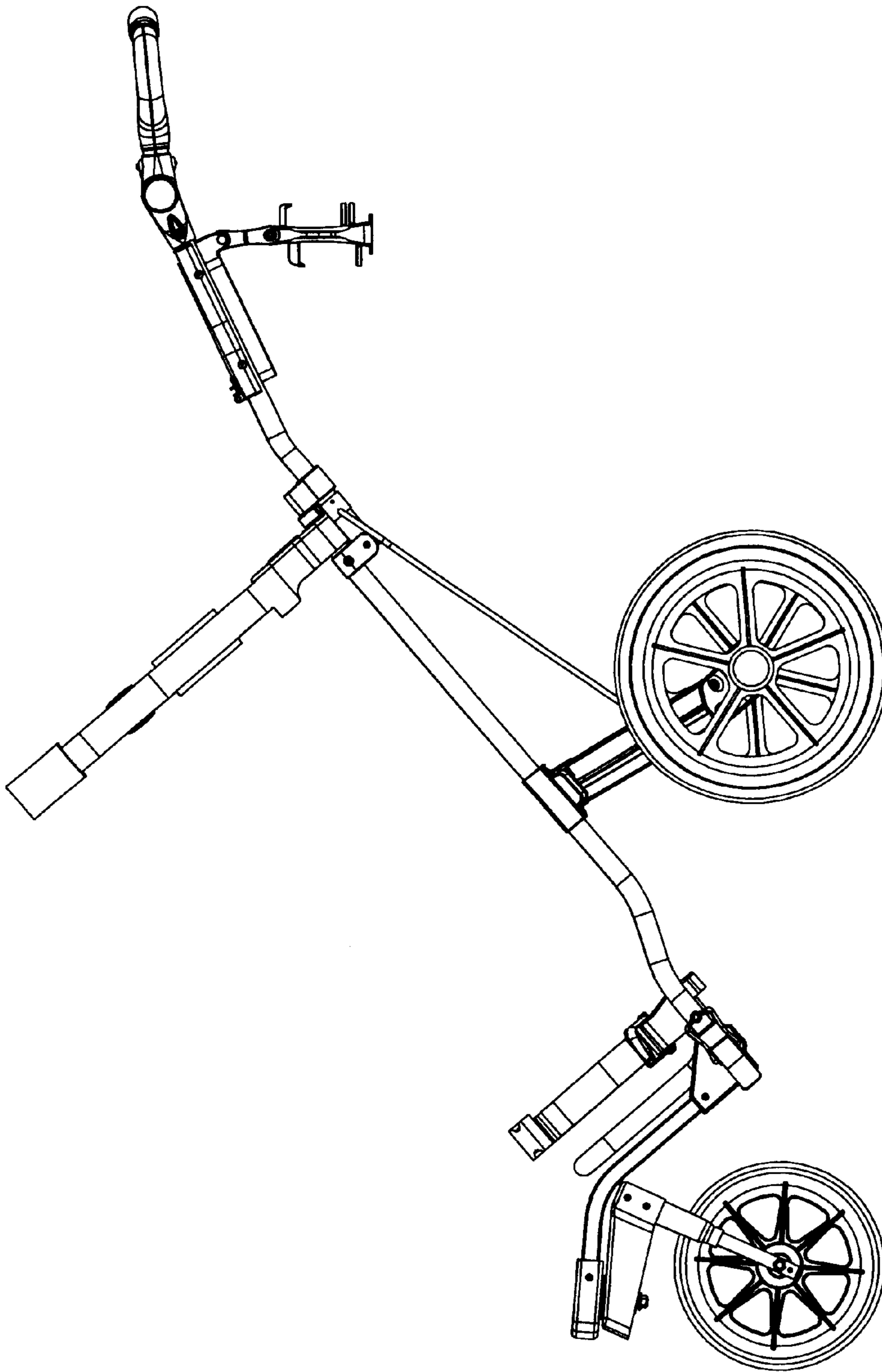
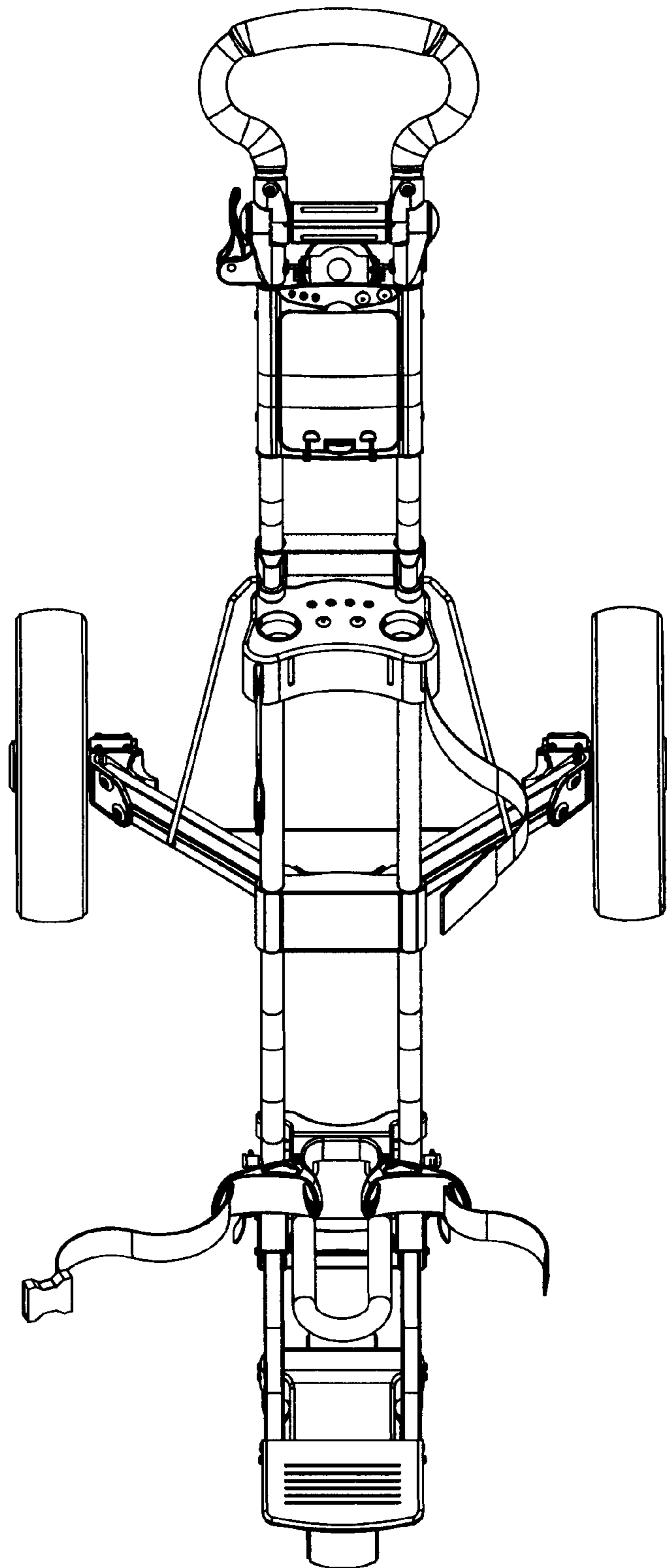


FIG. 2



*FIG. 3*



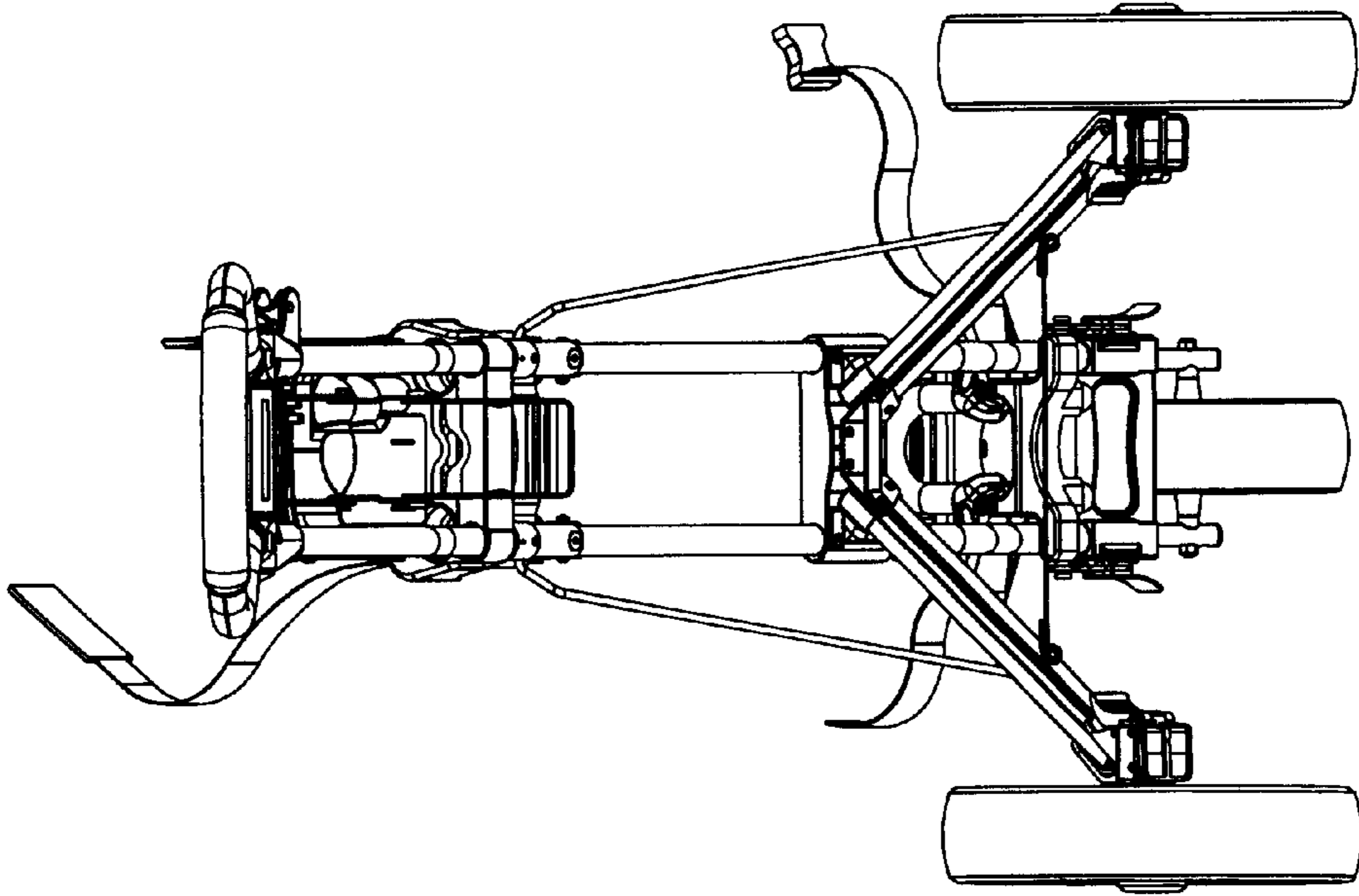


FIG. 7

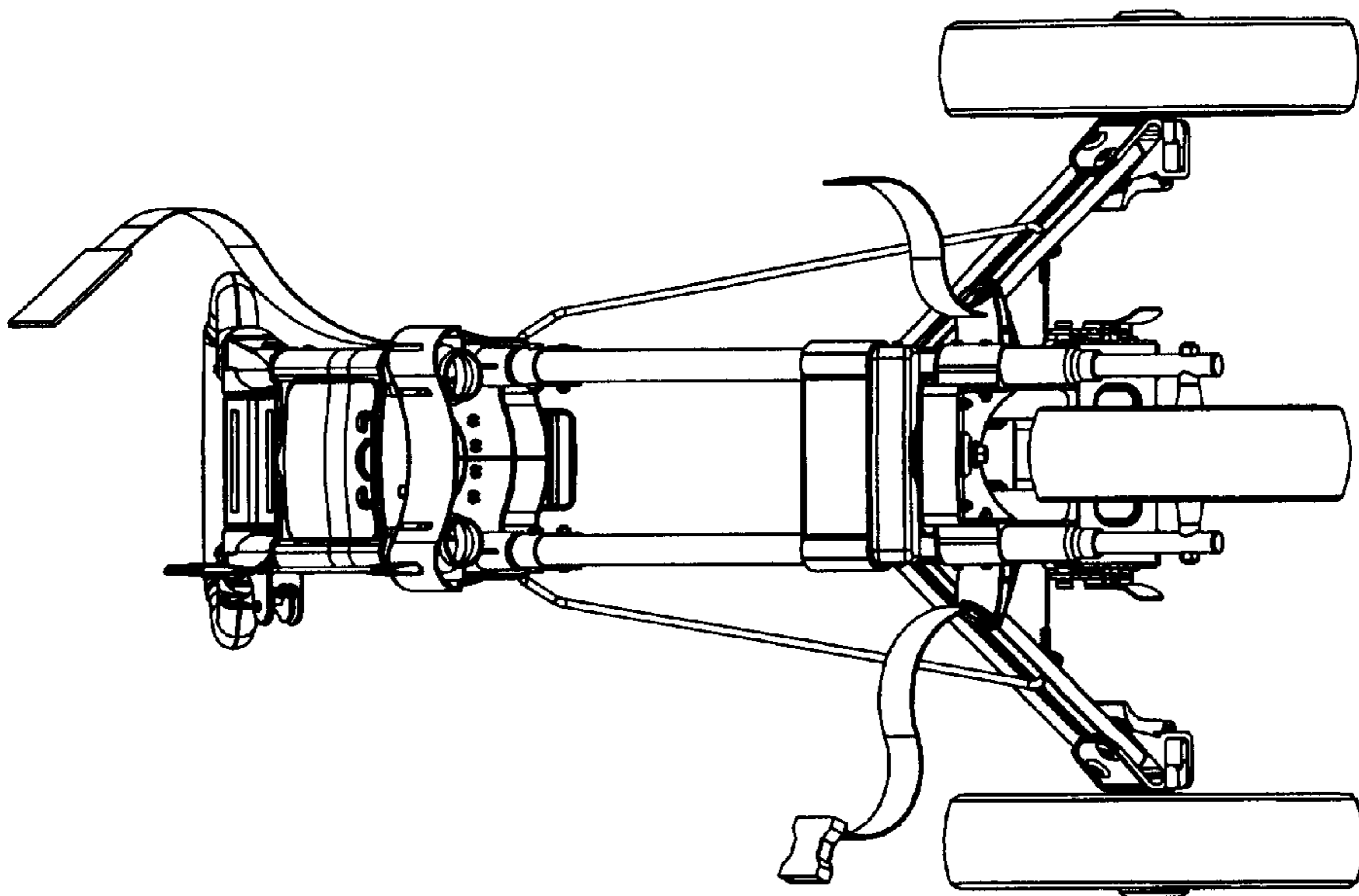
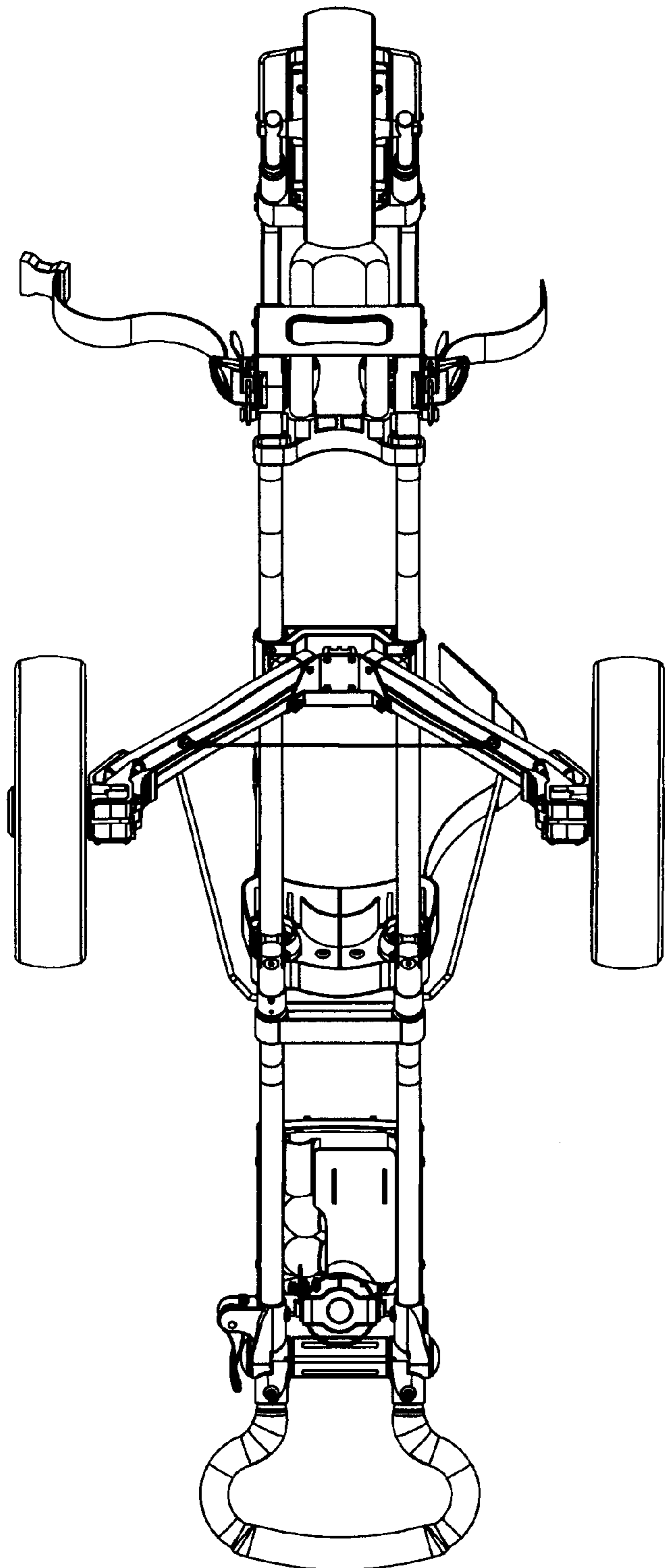


FIG. 4



*FIG. 5*

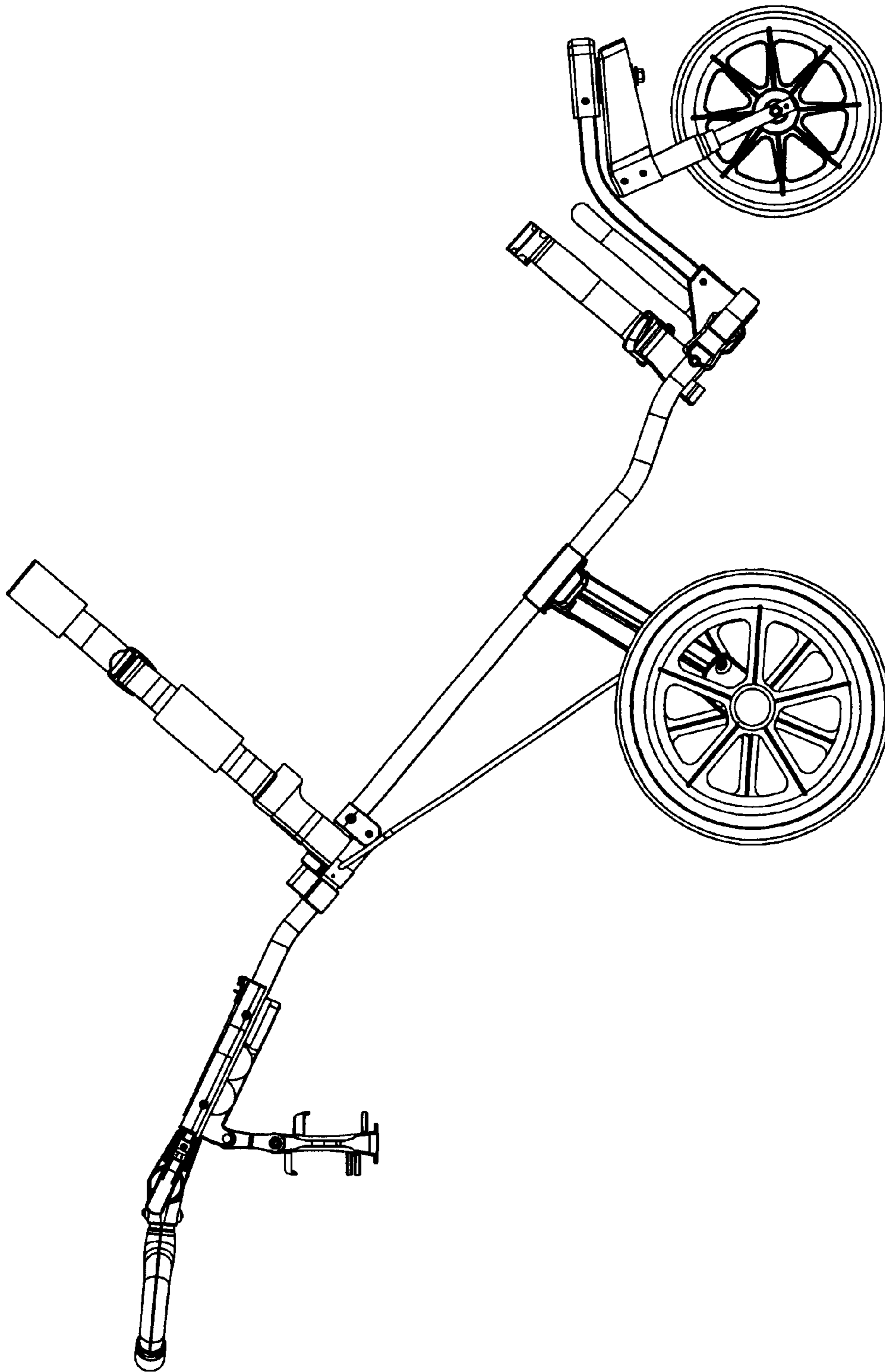
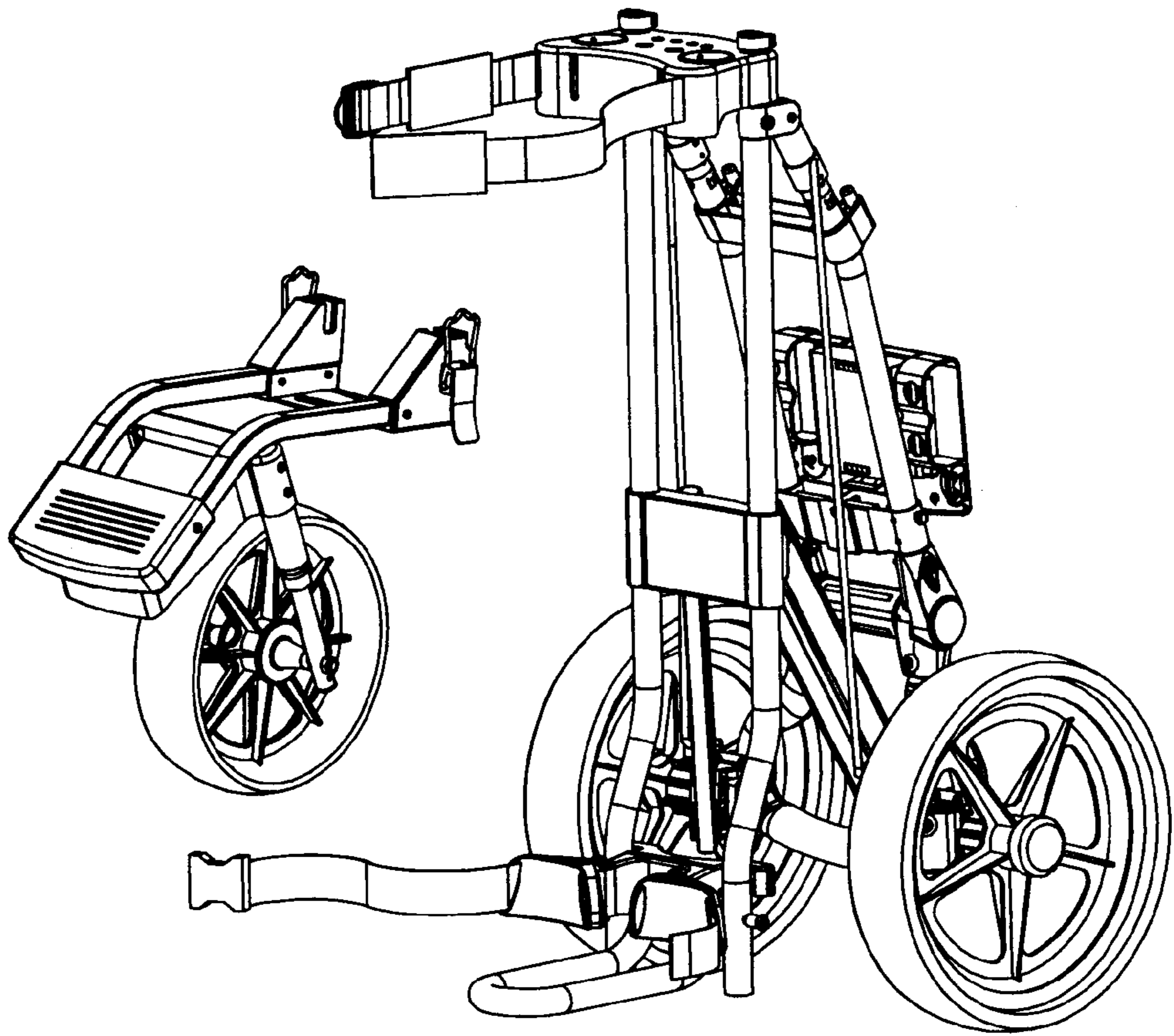


FIG. 6



*FIG. 8*