



US00D450896B1

(12) **United States Design Patent**
Essex et al.

(10) **Patent No.:** **US D450,896 S**

(45) **Date of Patent:** **** Nov. 20, 2001**

(54) **VACUUM CLEANER TOOL DOOR**

(75) Inventors: **John D. Essex**, North Canton; **Darwin T. McKnight**, Louisville, both of OH (US)

(73) Assignee: **The Hoover Company**, North Canton, OH (US)

(**) Term: **14 Years**

(21) Appl. No.: **29/122,606**

(22) Filed: **Apr. 28, 2000**

(51) **LOC (7) Cl.** **15-05**

(52) **U.S. Cl.** **D32/31**

(58) **Field of Search** D32/17-18, 21, D32/31, 25, 23-24; D28/12; 219/222; 15/320, 329, 344, 352-353, 327.1, 327.2, 327.3, 327.4, 327.6, 327.7, 321, 347, 337, 315, 387; 38/77.1, 77.5; 68/222; 392/404, 405; 601/6

(56) **References Cited**

U.S. PATENT DOCUMENTS

D. 226,822	*	5/1973	Haynes	D32/31
D. 261,266		10/1981	Yoshida et al.	.	
D. 274,564		7/1984	Diehl	.	
D. 277,038	*	1/1985	Parker et al.	D32/31
D. 289,213		4/1987	Perkins	.	
D. 296,944		7/1988	Yamamoto et al.	.	
D. 315,041	*	2/1991	Bradd	D32/21
D. 322,340		12/1991	Stiitzer et al.	.	
D. 324,592		3/1992	Klingspor et al.	.	
D. 324,929		3/1992	Burns	.	
D. 325,274		4/1992	Ikeda	.	
D. 338,293		8/1993	Kojima et al.	.	

D. 343,931		2/1994	Tsuruha et al.	.	
D. 344,373		2/1994	Haverkamp	.	
D. 354,380	*	1/1995	Stephens	D32/31
D. 403,475		12/1998	Mchaffey et al.	.	
D. 417,323		11/1999	Fujita et al.	.	
D. 422,764	*	4/2000	Wood	D32/31
D. 434,886	*	12/2000	Wareham et al.	D32/31
4,554,700	*	11/1985	Lyman	15/323
5,014,385	*	5/1991	Bradd et al.	15/323

OTHER PUBLICATIONS

Photo of Eureka Worldvac Canister.

* cited by examiner

Primary Examiner—Ruth McInroy

(74) *Attorney, Agent, or Firm*—A. Burgess Lowe; Thomas R. Kingsbury

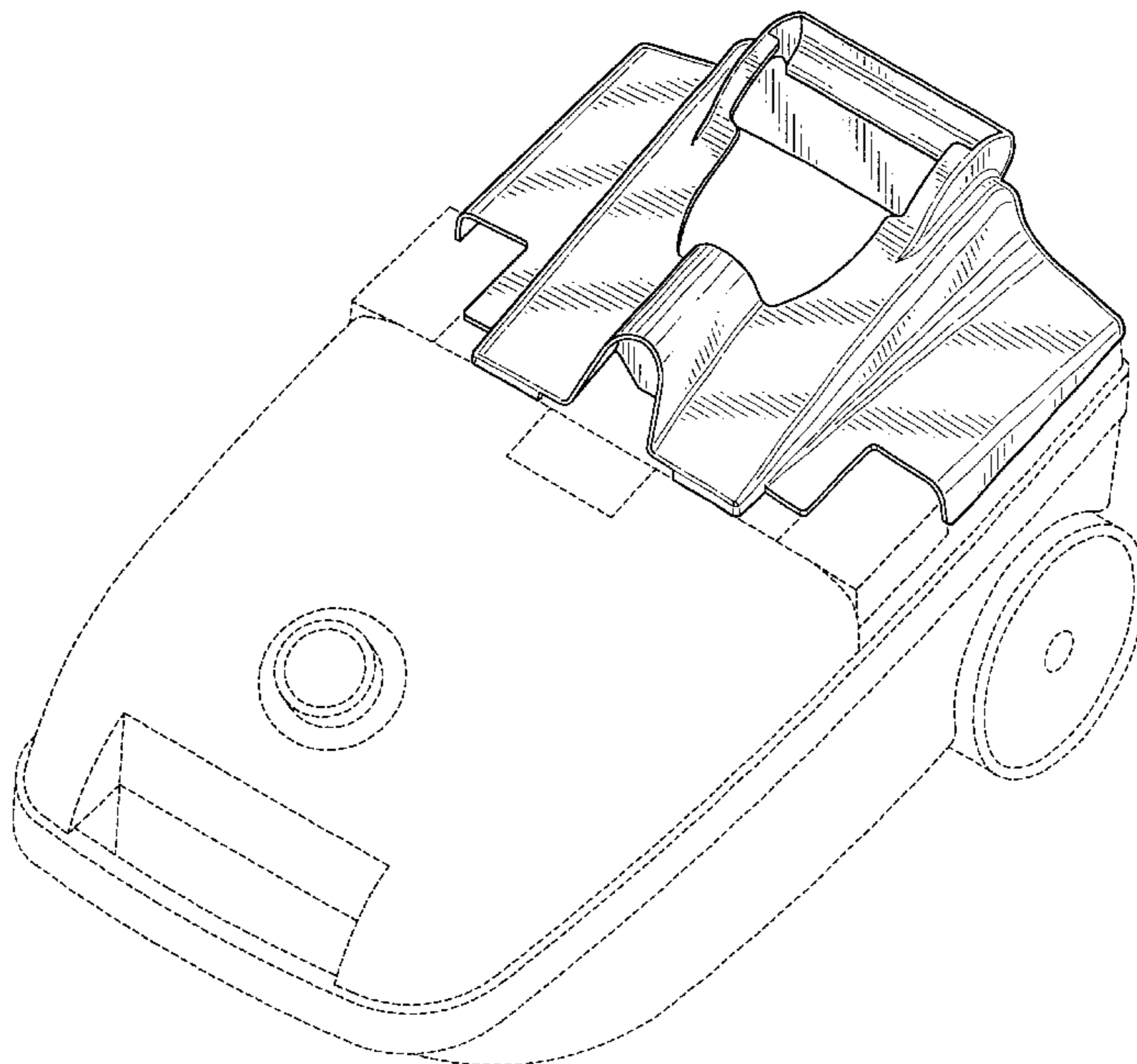
(57) **CLAIM**

The ornamental design of a vacuum cleaner tool door, as shown and described.

DESCRIPTION

FIG. 1 is a perspective view of a vacuum cleaner tool door showing the tool door positioned on a canister vacuum cleaner which is shown in dashed lines; FIG. 2 is a perspective view of the tool door of FIG. 1; FIG. 3 is a right side elevational view thereof; FIG. 4 is a top plan view thereof; FIG. 5 is a front elevational view thereof; and, FIG. 6 is a rear elevational view thereof. The left side elevational view being a mirror image of the right side elevational view of FIG. 3, and the dashed lines in FIG. 1 being for the purpose of environment only.

1 Claim, 4 Drawing Sheets



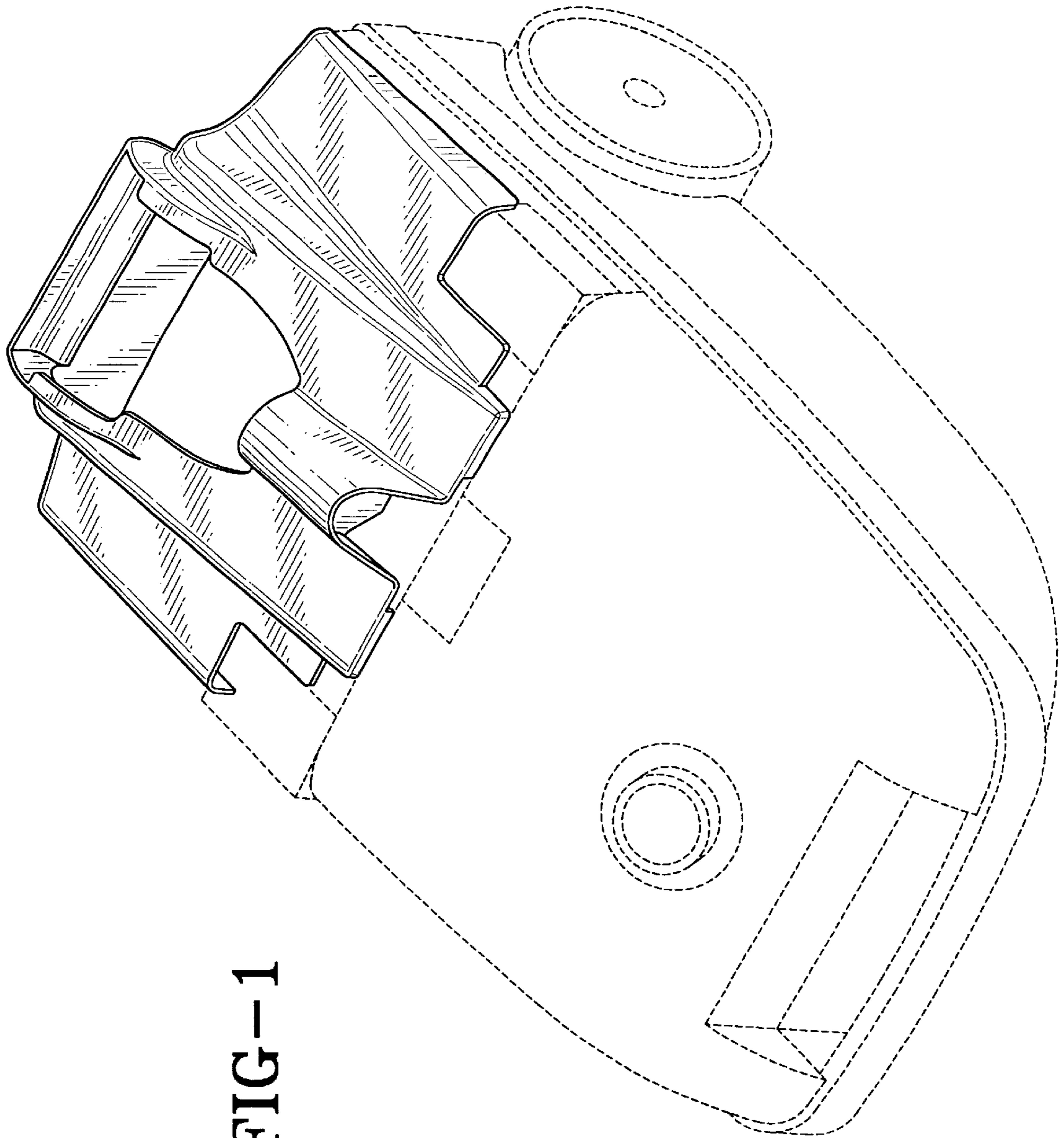


FIG-1

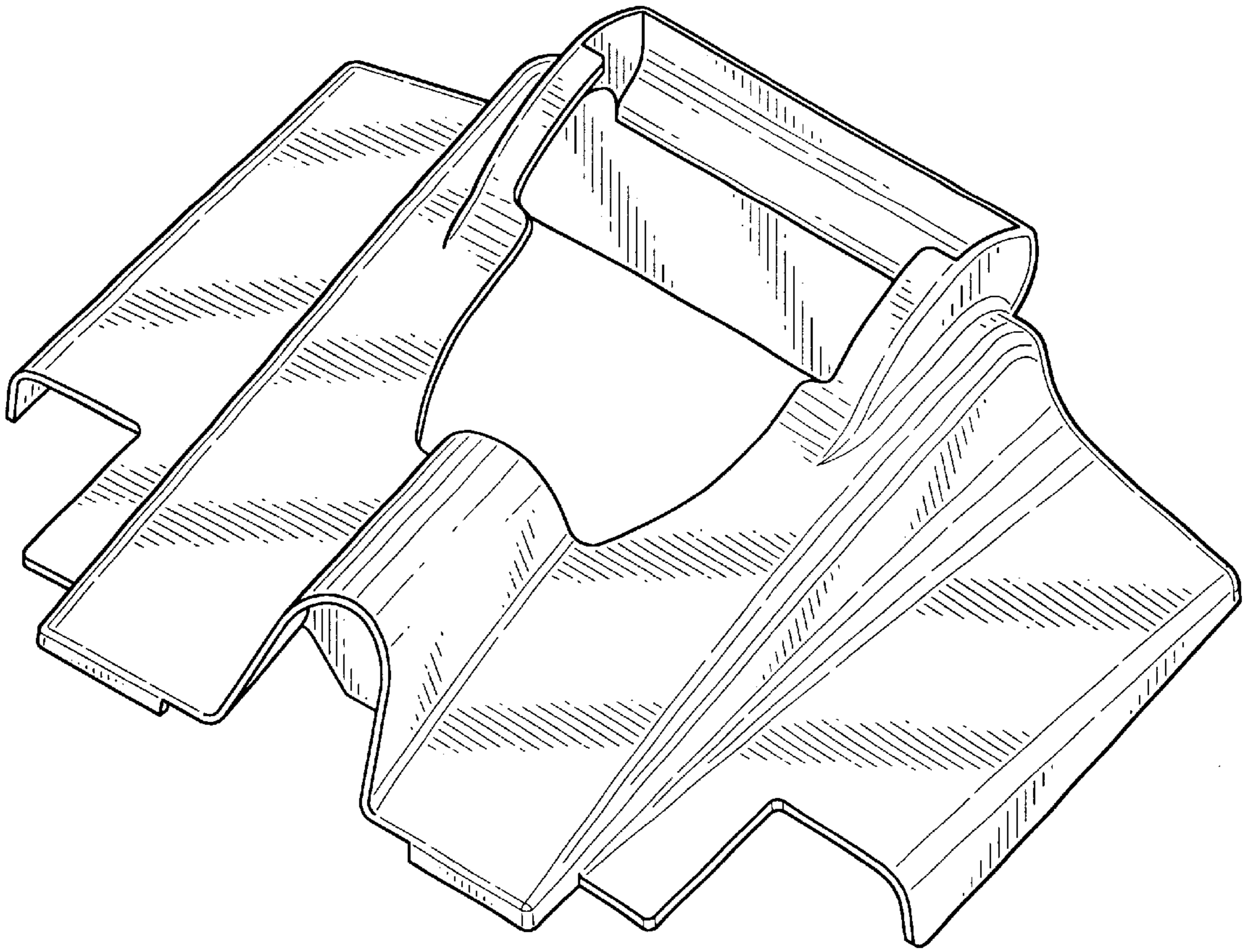


FIG-2

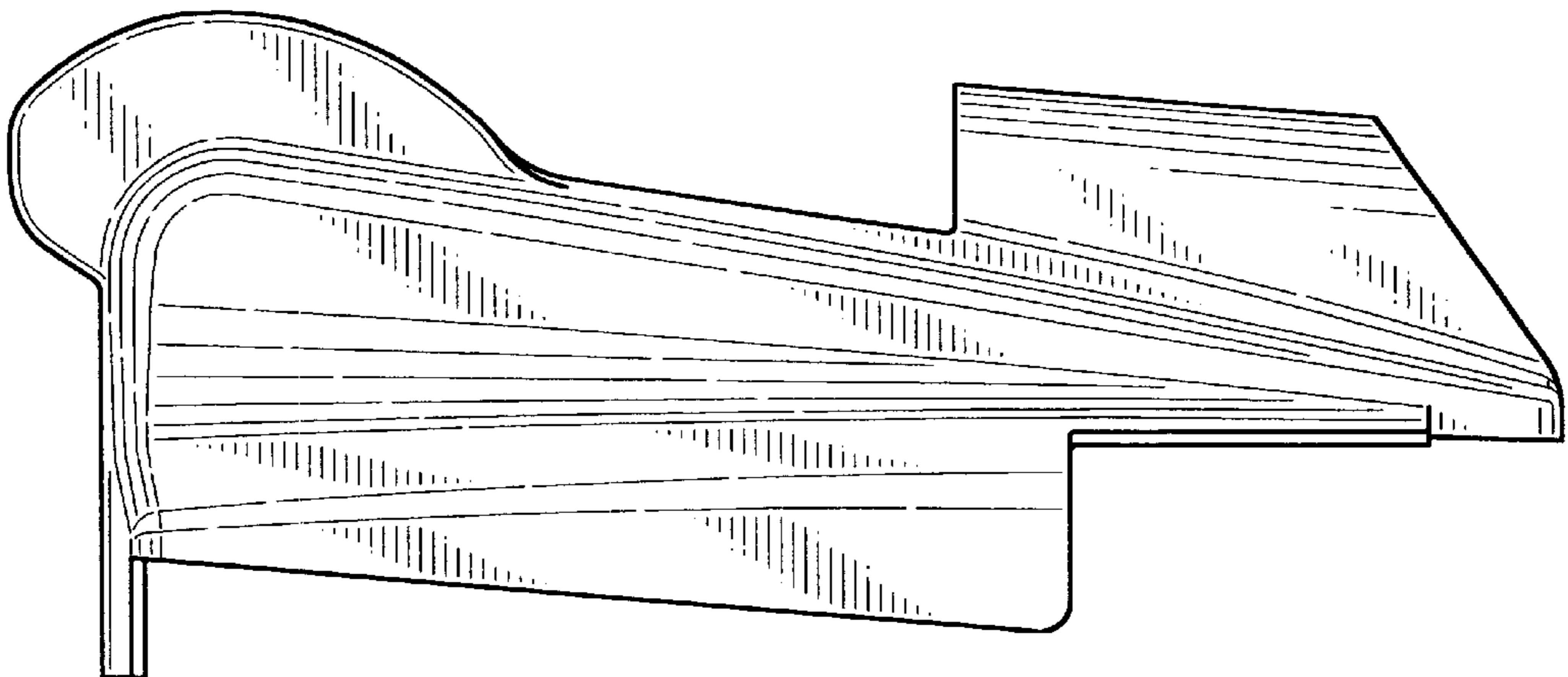


FIG-3

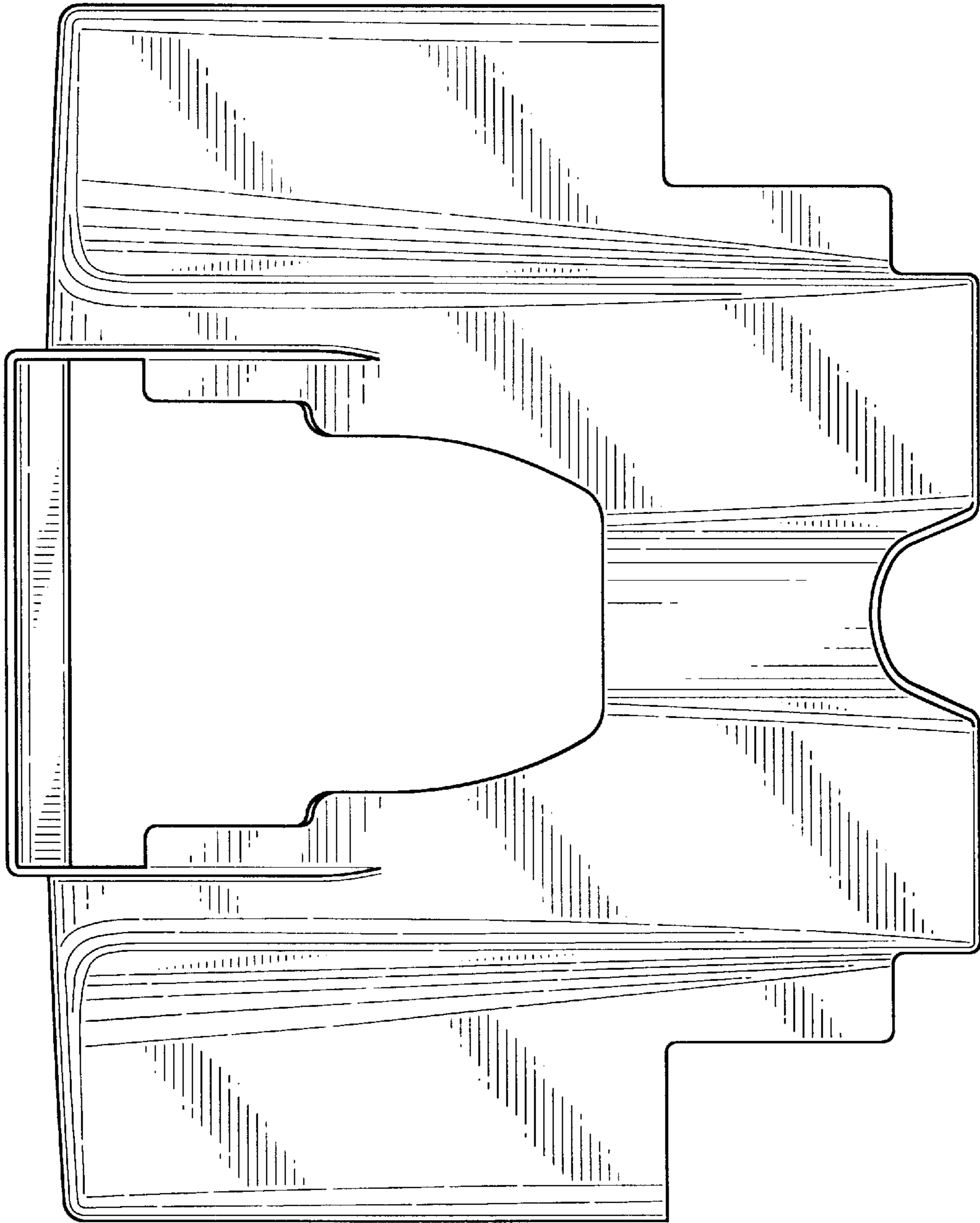


FIG-4

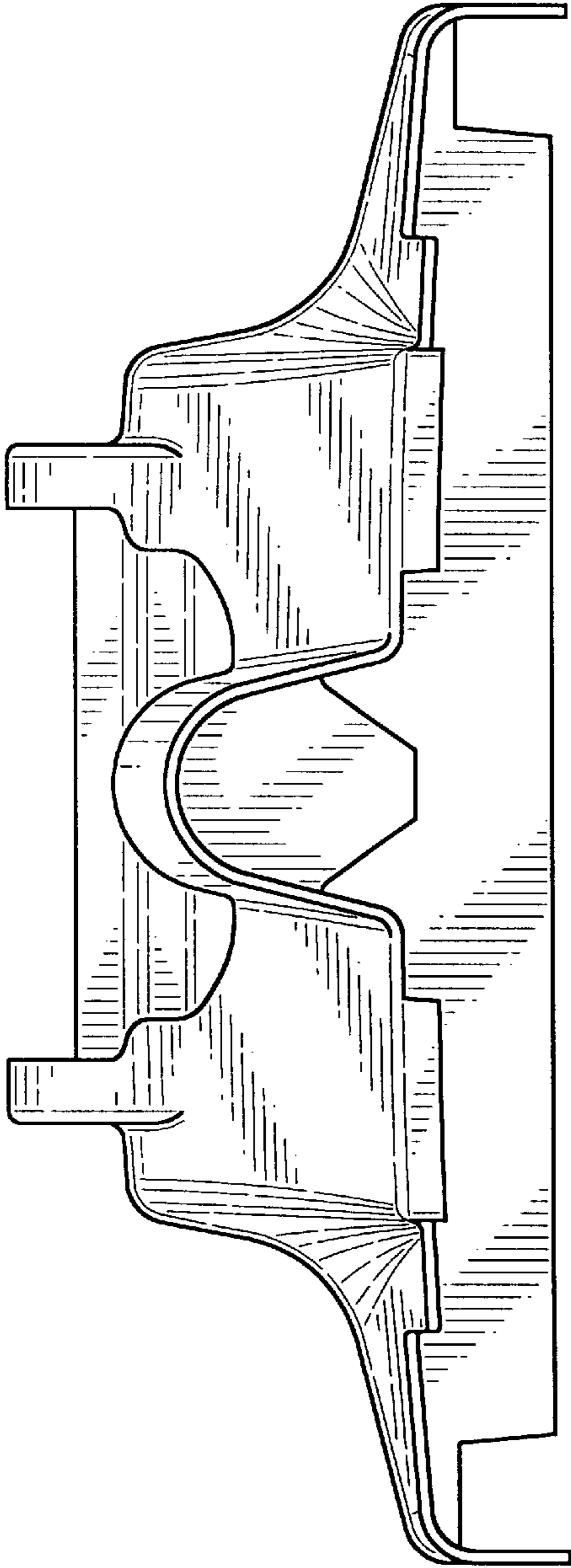


FIG-5

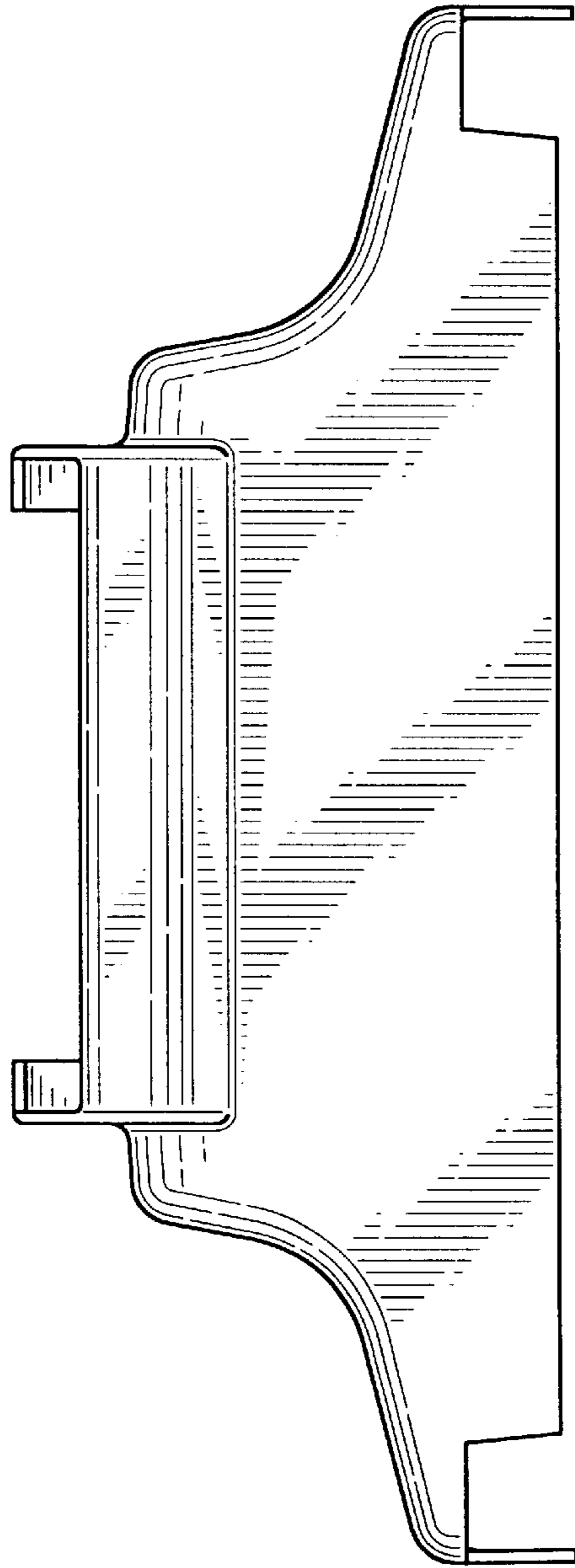


FIG-6