



US00D450894B1

(12) **United States Design Patent**  
**Suchowski et al.**

(10) **Patent No.:** **US D450,894 S**

(45) **Date of Patent:** **\*\* Nov. 20, 2001**

(54) **COMPOSITE CHEW TOY**

(75) Inventors: **Bernard Suchowski**, Marlboro, NJ (US); **Simon Handelsman**, Newburyport, MA (US)

(73) Assignee: **The Hartz Mountain Corporation**, Secaucus, NJ (US)

(\*\*) Term: **14 Years**

(21) Appl. No.: **29/142,126**

(22) Filed: **May 16, 2001**

**Related U.S. Application Data**

(63) Continuation of application No. 09/560,010, filed on Apr. 27, 2000, which is a continuation of application No. 09/122,228, filed on Jul. 24, 1998, now Pat. No. 6,116,191.

(51) **LOC (7) Cl.** ..... **30-99**

(52) **U.S. Cl.** ..... **D30/160**

(58) **Field of Search** ..... D30/160; 119/702, 119/706-711; D24/211, 212, 213, 215

(56) **References Cited**

**U.S. PATENT DOCUMENTS**

- D. 305,788 1/1990 Herren .
- D. 337,398 \* 7/1993 Axelrod ..... D30/160
- D. 343,262 \* 1/1994 Axelrod ..... D30/160

- D. 350,851 9/1994 Spence, Jr. .... D4/104
- D. 357,952 \* 5/1995 Chen ..... D21/684
- D. 358,007 \* 5/1995 Axelrod ..... D30/160
- D. 374,519 \* 10/1996 Ruble ..... D30/160
- D. 376,449 \* 12/1996 Axelrod ..... D30/160
- D. 399,569 \* 10/1998 Wier et al. .... D24/212
- D. 418,639 \* 1/2000 Simon ..... D30/160
- 2,103,083 12/1937 Lynch .
- 2,258,931 10/1941 Heer et al. .
- 3,231,925 2/1966 Conder .
- 4,191,178 3/1980 Wisnieski .
- 5,199,474 4/1993 D'Angelo ..... 141/392
- 5,263,436 \* 11/1993 Axelrod ..... 119/710

\* cited by examiner

*Primary Examiner*—Cathy Anne MacCormac

(74) *Attorney, Agent, or Firm*—Stroock & Stroock & Lavan LLP

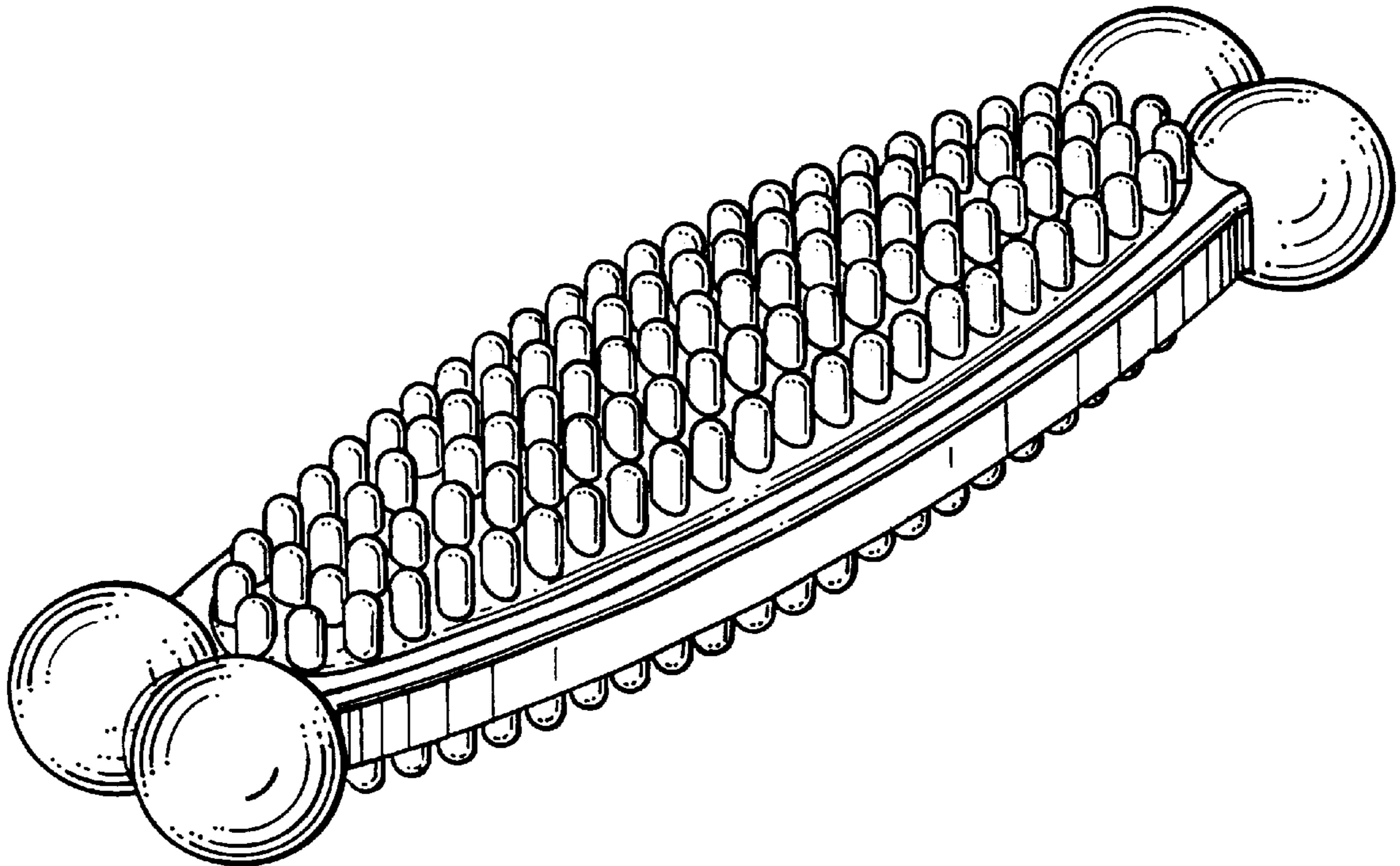
(57) **CLAIM**

The ornamental design for a composite chew toy, as shown.

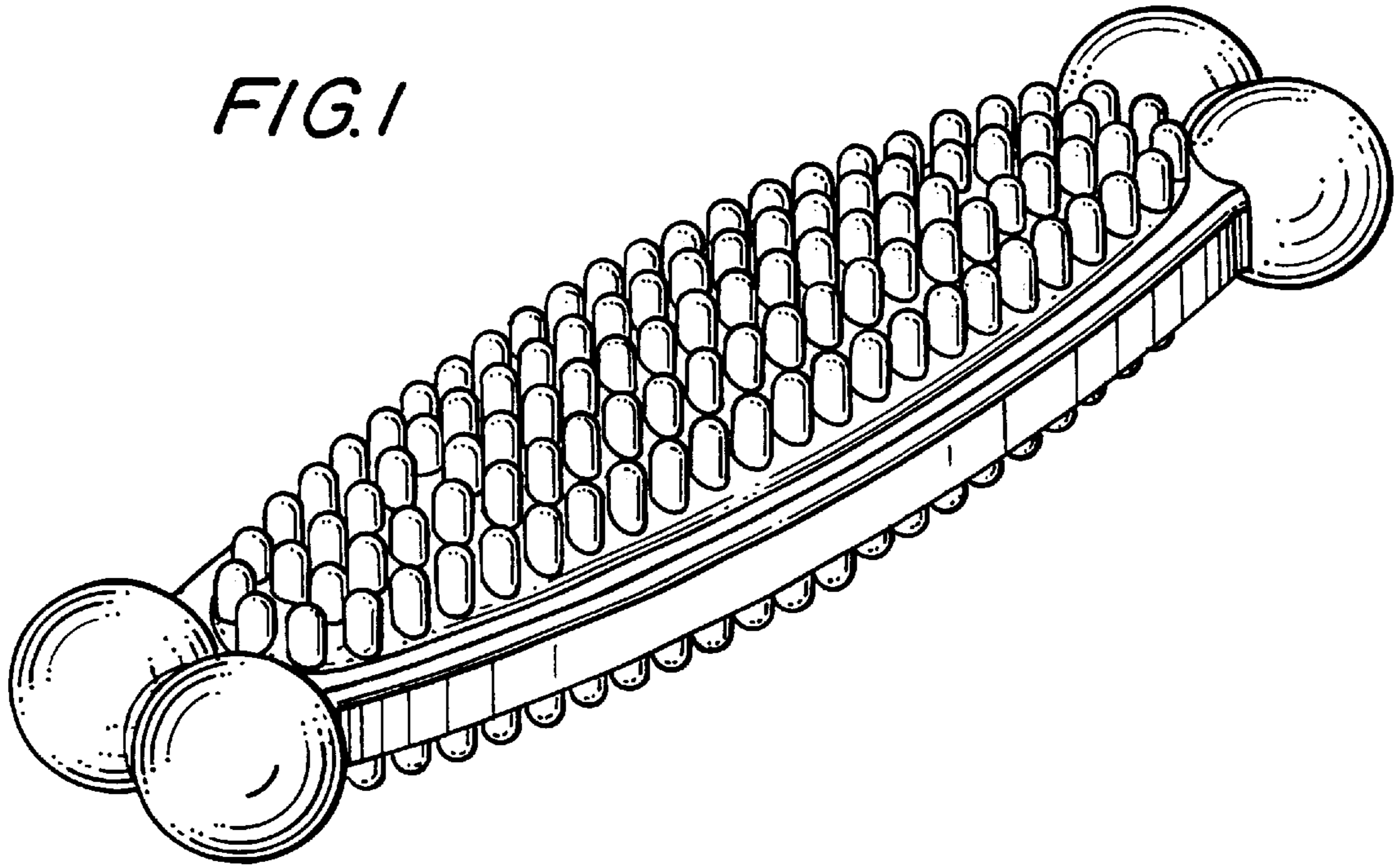
**DESCRIPTION**

FIG. 1 is a perspective view of a chew toy constructed in accordance with the present invention; FIG. 2 is an end view of the chew toy of FIG. 1; FIG. 3 is a top view of the chew toy of FIG. 1; and, FIG. 4 is a side view of the chew toy of FIG. 1.

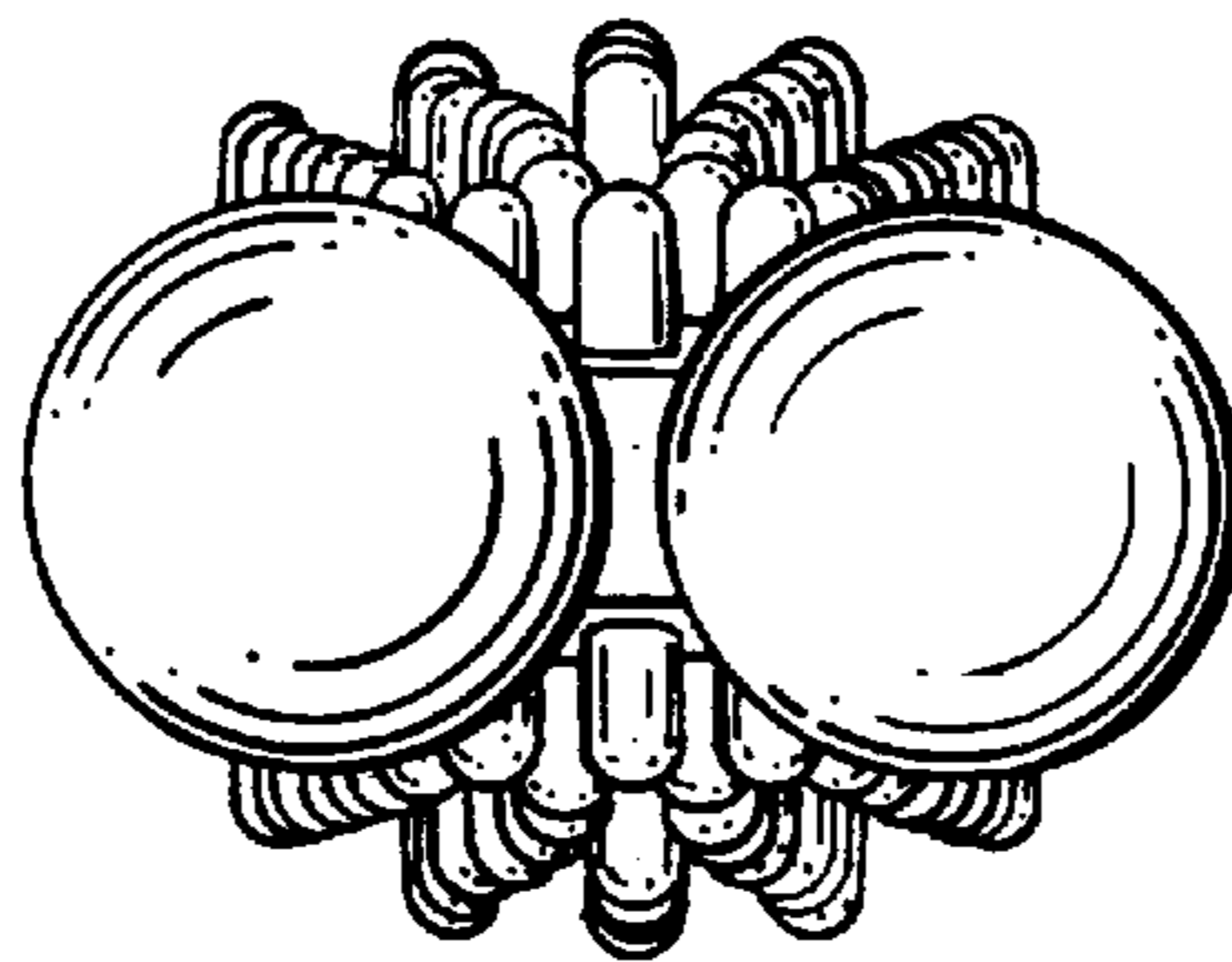
**1 Claim, 2 Drawing Sheets**



*FIG. 1*



*FIG. 2*



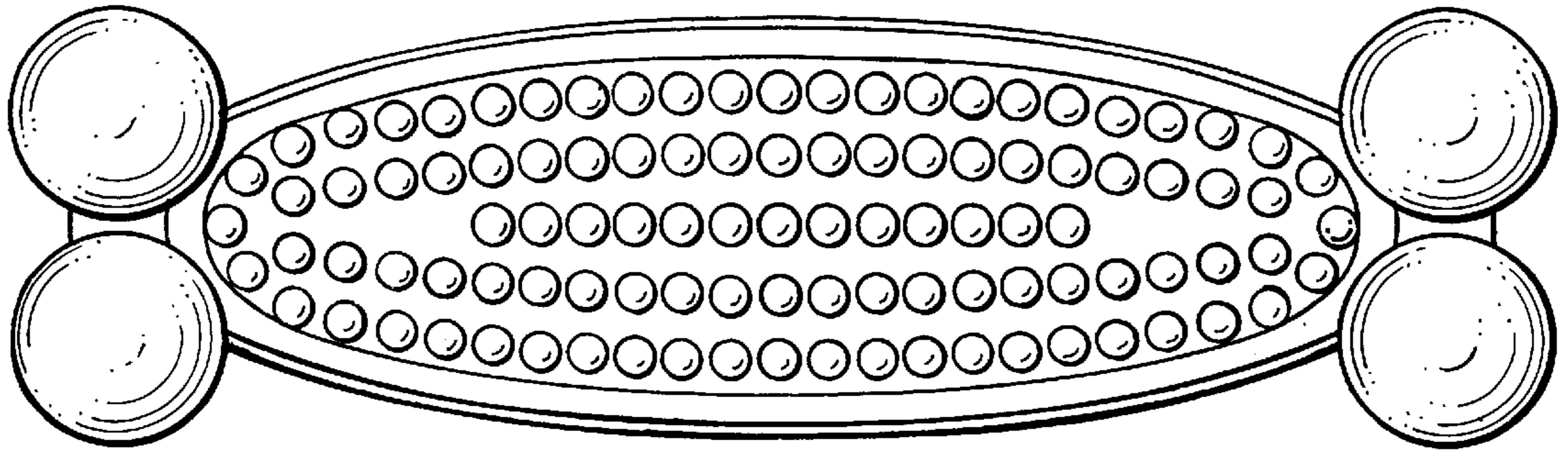


FIG. 3

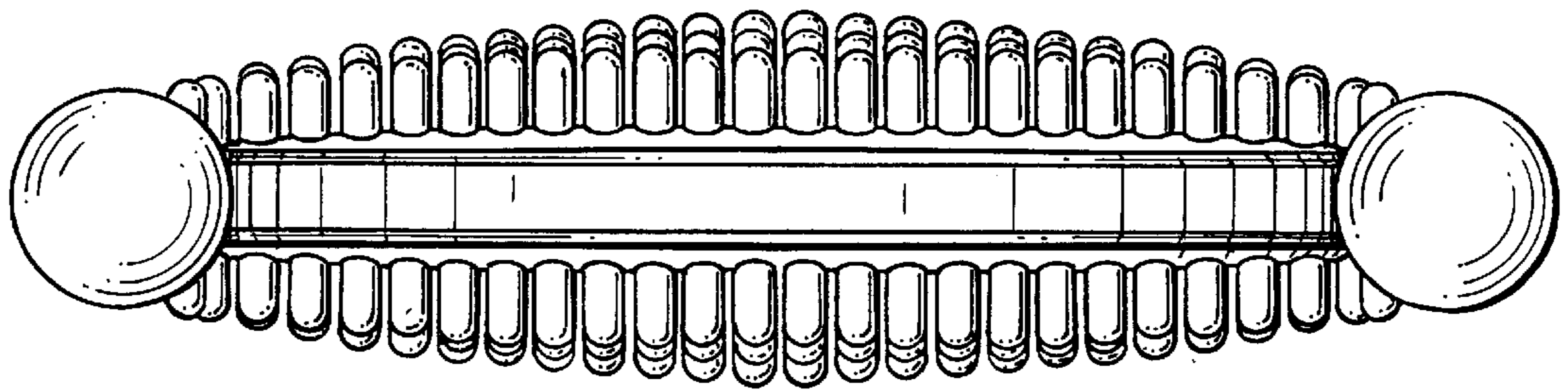


FIG. 4