



US00D450892B1

(12) **United States Design Patent**
Garcia-Lucio et al.

(10) **Patent No.:** **US D450,892 S**

(45) **Date of Patent:** **** Nov. 20, 2001**

(54) **RESERVOIR FOR A HUMMINGBIRD FEEDER**

The Birding Company, 1998 Wholesale Catalog 1998, pp. 21 and 28.

(75) Inventors: **Alfredo Garcia-Lucio; Jim B. McKeever**, both of Denver, CO (US)

* cited by examiner

Primary Examiner—Pamela Burgess

(73) Assignee: **Parasol, LLC**, Denver, CO (US)

(74) *Attorney, Agent, or Firm*—Sheridan Ross P.C.

(**) Term: **14 Years**

(57) **CLAIM**

(21) Appl. No.: **29/131,999**

The ornamental design for the reservoir for a hummingbird feeder, as shown and described.

(22) Filed: **Oct. 30, 2000**

DESCRIPTION

(51) **LOC (7) Cl.** **30-03**

(52) **U.S. Cl.** **D30/124**

(58) **Field of Search** D30/121, 122, D30/124, 128, 129, 130, 132, 133, 131; D9/526, 519, 548; D7/592, 596, 598; 119/77, 57.9, 57.8, 51.5, 51.03, 54, 76, 52.4; 222/457, 589

FIG. 1 is a left front perspective view of the reservoir for a hummingbird feeder, showing our new design, the broken lines representing environment and forming no part of the claimed design;

FIG. 2 is a left perspective view of one of the reservoirs for a hummingbird feeder shown separately for clarity of disclosure, the broken lines representing environment and forming no part of the claimed design;

(56) **References Cited**

U.S. PATENT DOCUMENTS

- D. 129,632 * 9/1941 Bowers D7/592
- D. 165,628 * 1/1952 Blazier D30/128
- D. 220,748 * 5/1971 Gould D9/526
- D. 395,240 * 6/1998 Dinand D9/526

FIG. 3 is a left perspective view of the reservoir for a hummingbird feeder illustrated in FIG. 2;

FIG. 4 is a front elevation view of the reservoir for a hummingbird feeder illustrated in FIG. 2;

FIG. 5 is a right elevation view of the reservoir for a hummingbird feeder illustrated in FIG. 2;

FIG. 6 is a rear elevation view of the reservoir for a hummingbird feeder illustrated in FIG. 2; and,

OTHER PUBLICATIONS

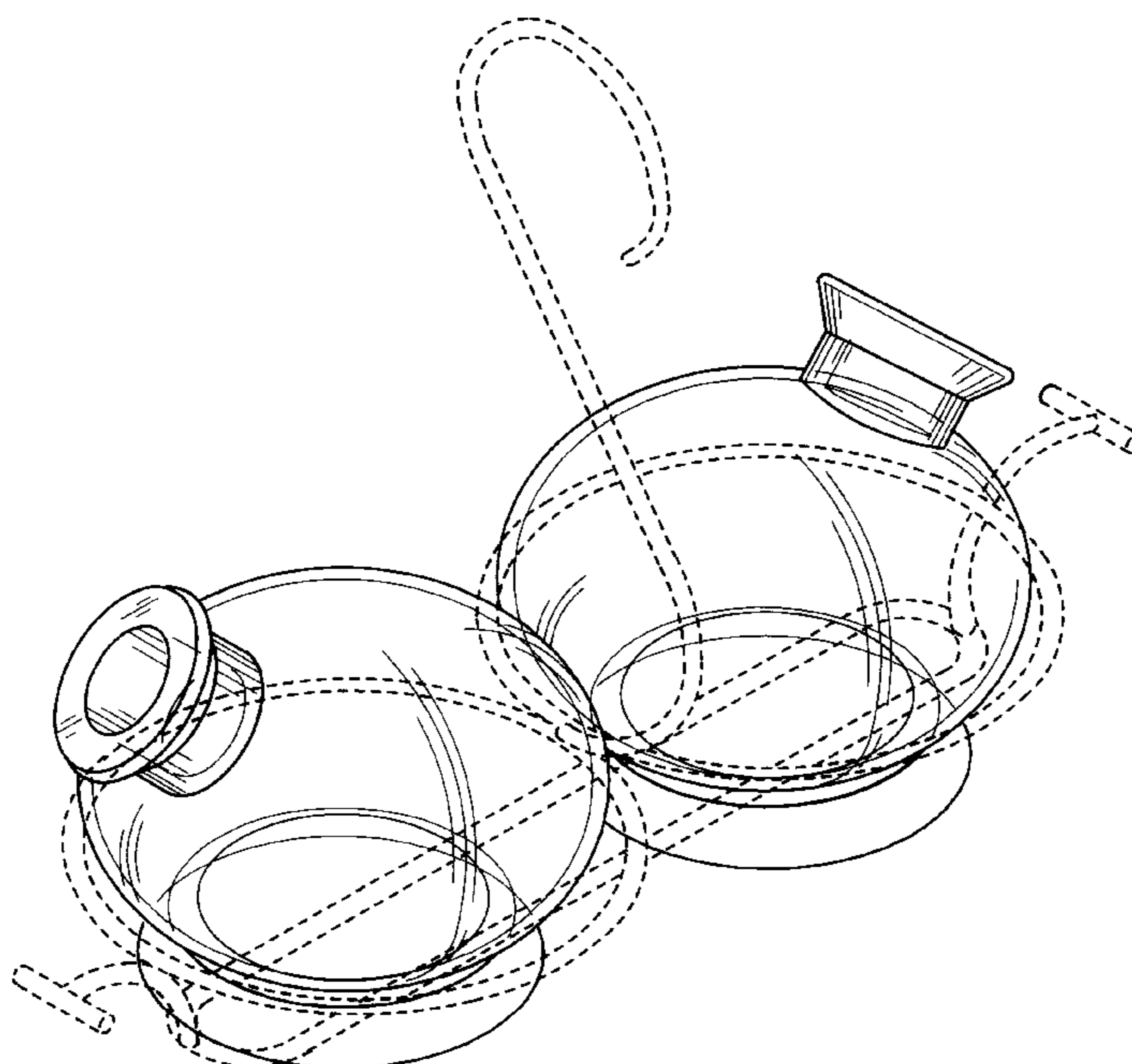
- Perky Pet Brand 1999 Catalog, p. 19–20.
- Par a Sol Catalog Dew Drop Small and Dew Drop Large, prior to filing date.
- Opus 1998–1999 p. 16.
- Droll Yankees Bird Feeders, p. 16–17.
- The Backyard Airshow Catalog, Briggs Associates, Inc. Leaflet.

FIG. 7 is a left elevation view of the reservoir for a hummingbird feeder illustrated in FIG. 2;

FIG. 8 is a top plan view of the reservoir for a hummingbird feeder illustrated in FIG. 2; and,

FIG. 9 is a bottom plan view of the reservoir for a hummingbird feeder illustrated in FIG. 2.

1 Claim, 2 Drawing Sheets



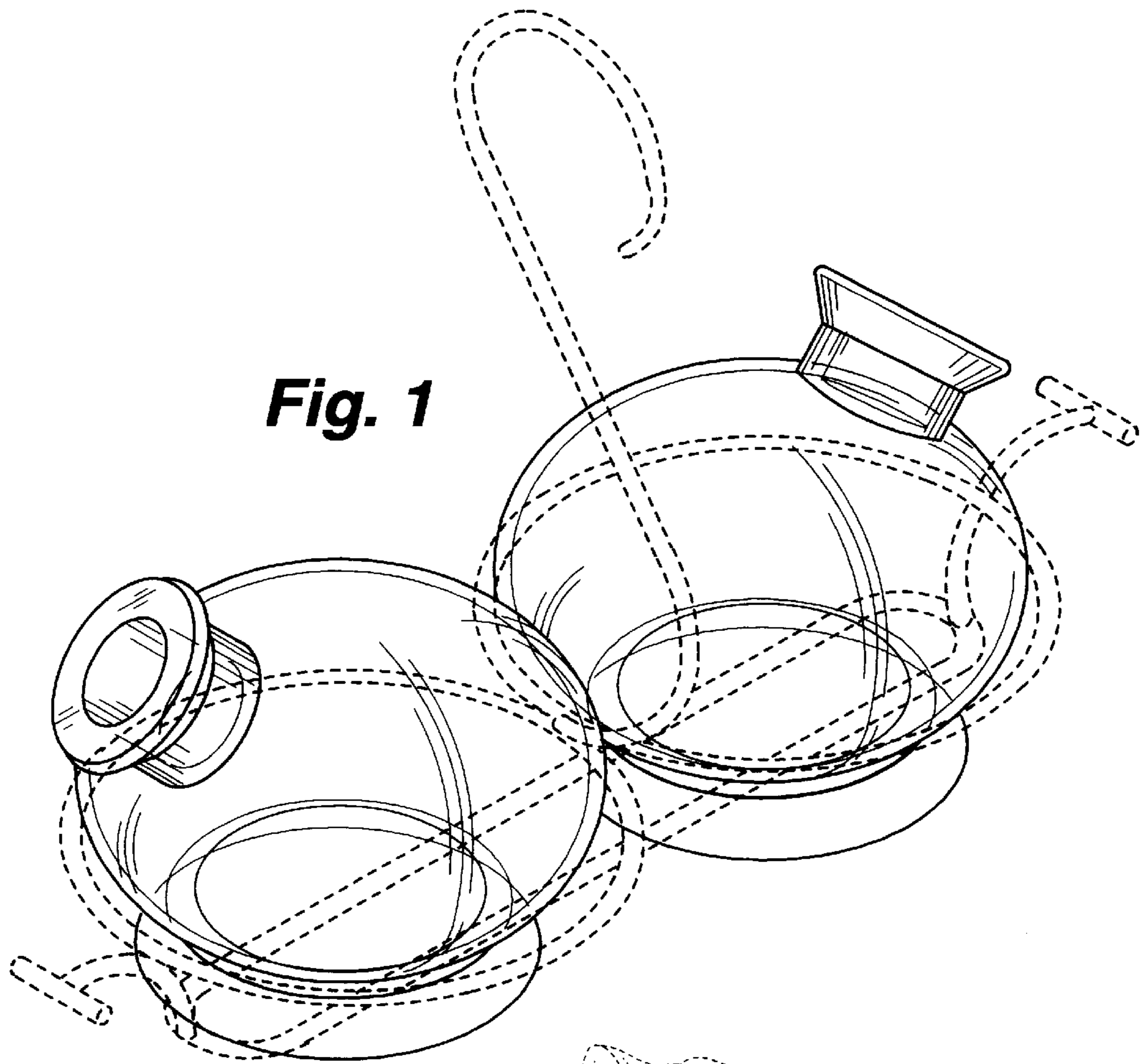


Fig. 1

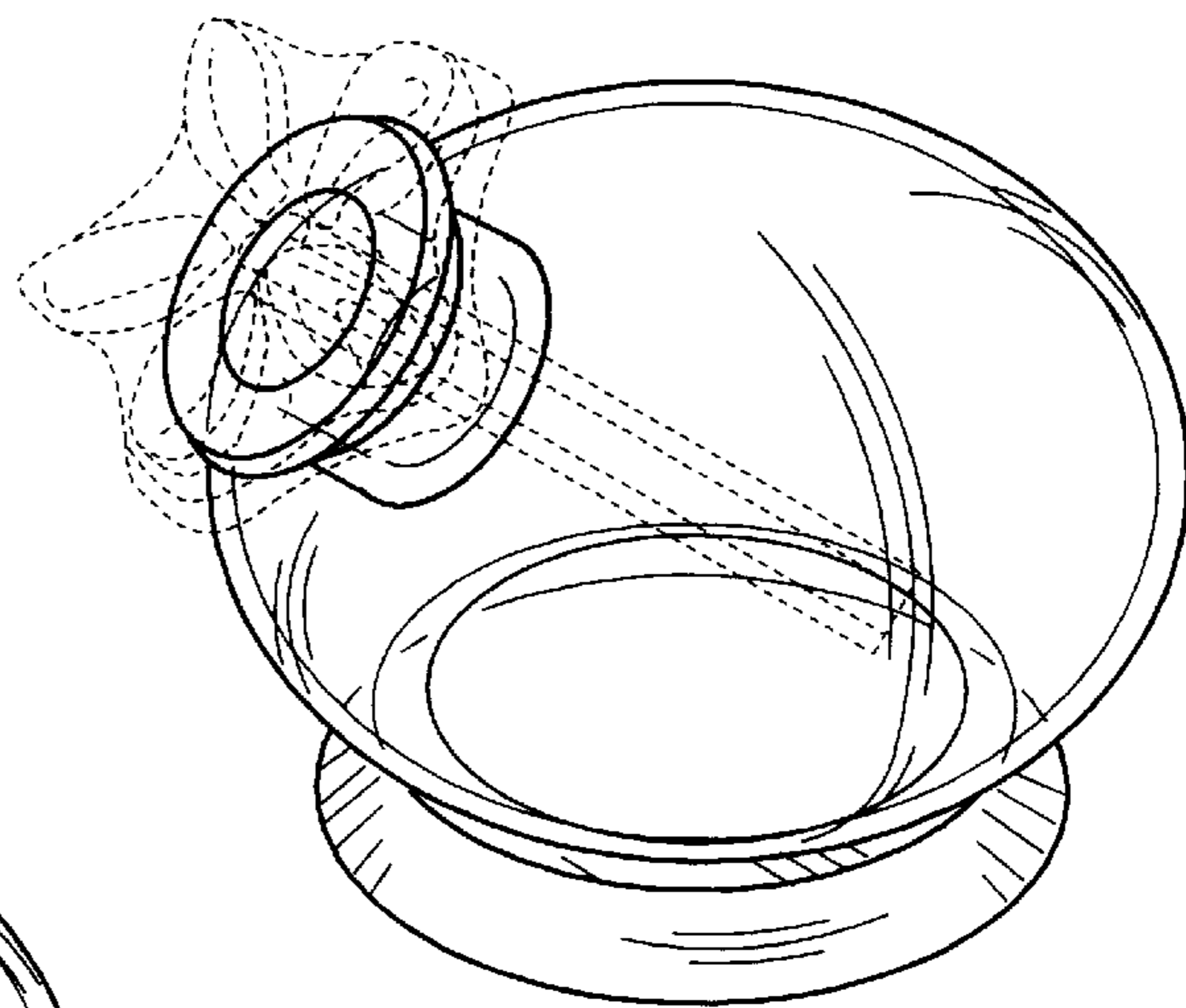


Fig. 2

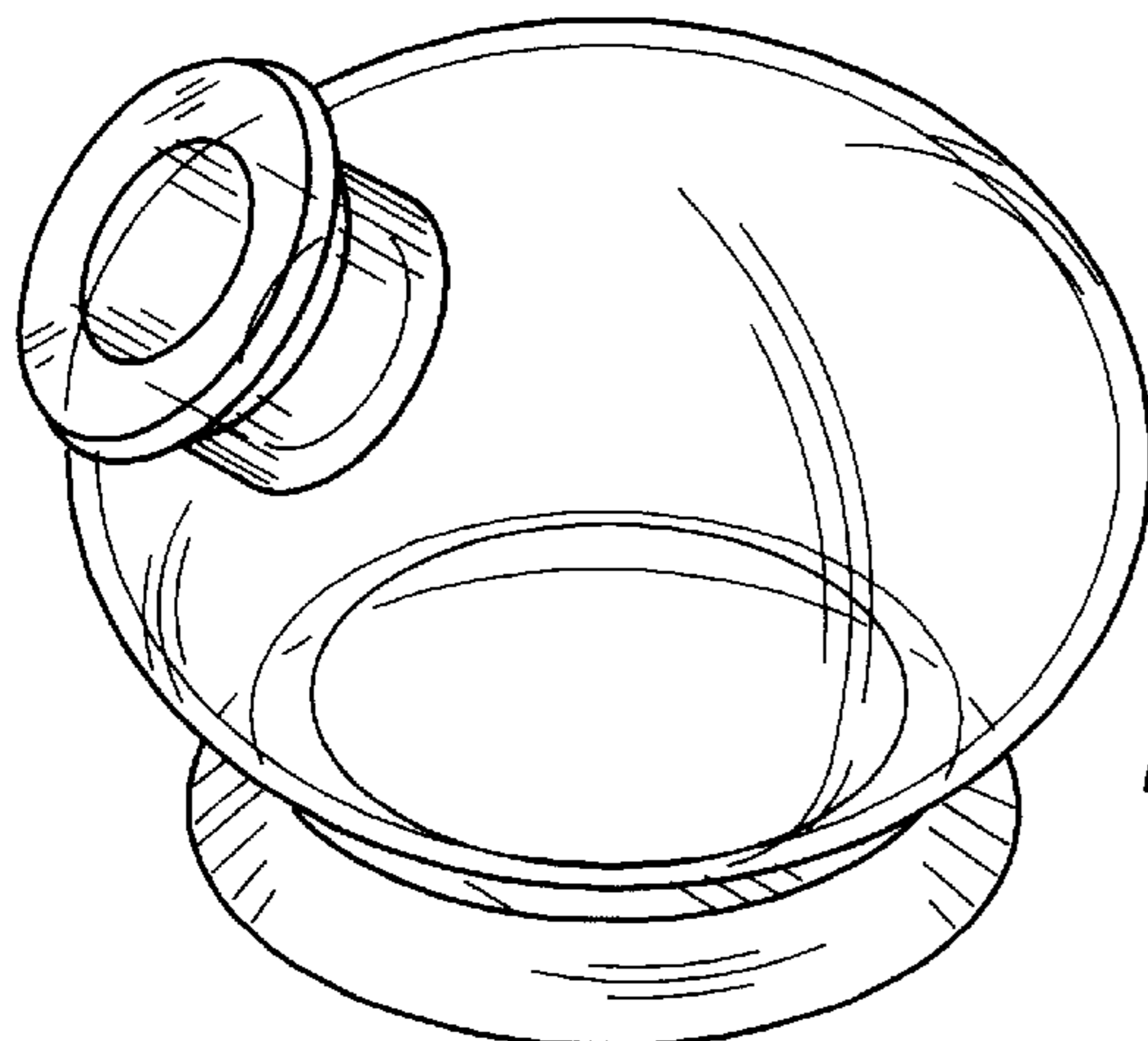


Fig. 3

Fig. 4

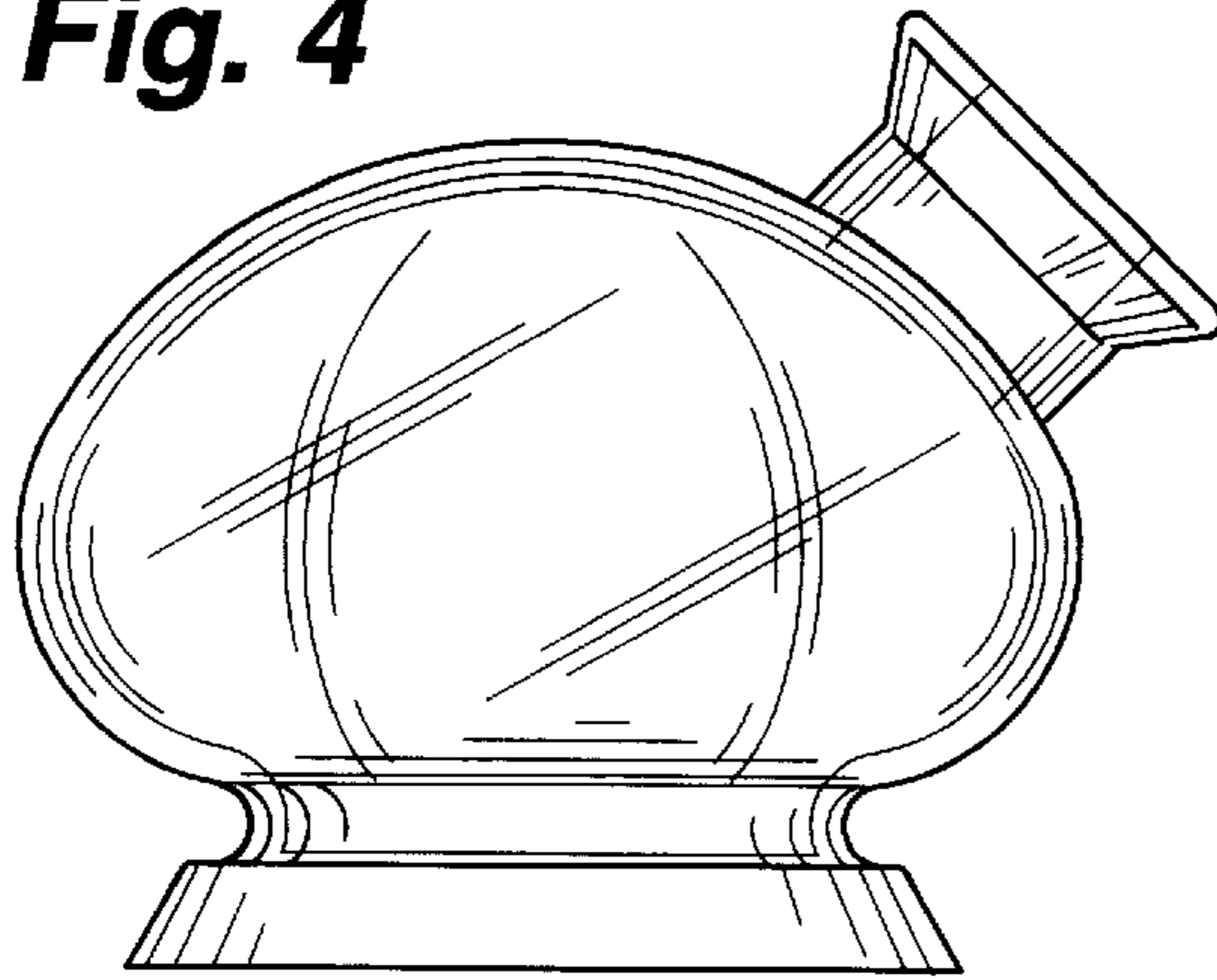


Fig. 5

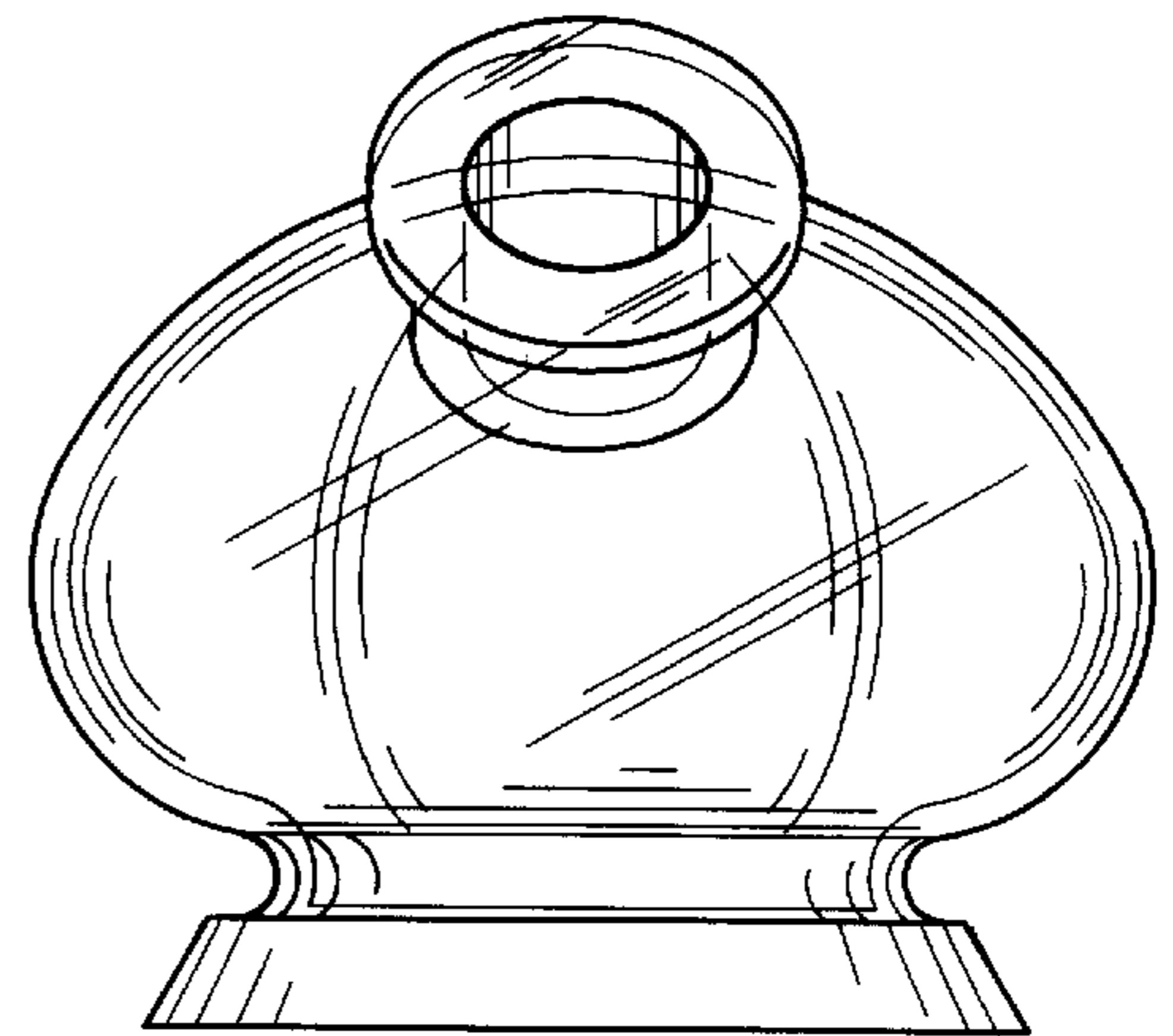


Fig. 6

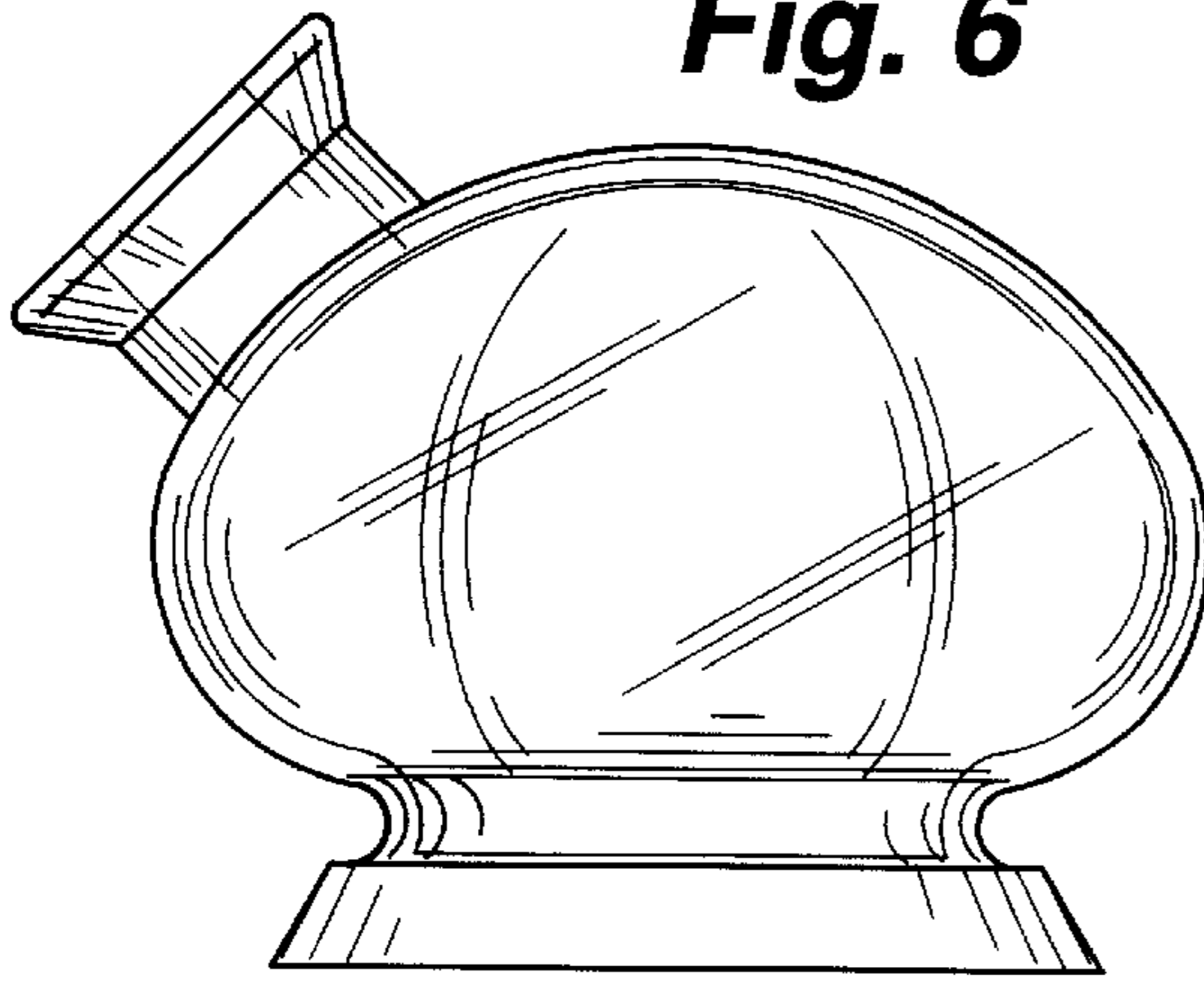


Fig. 7

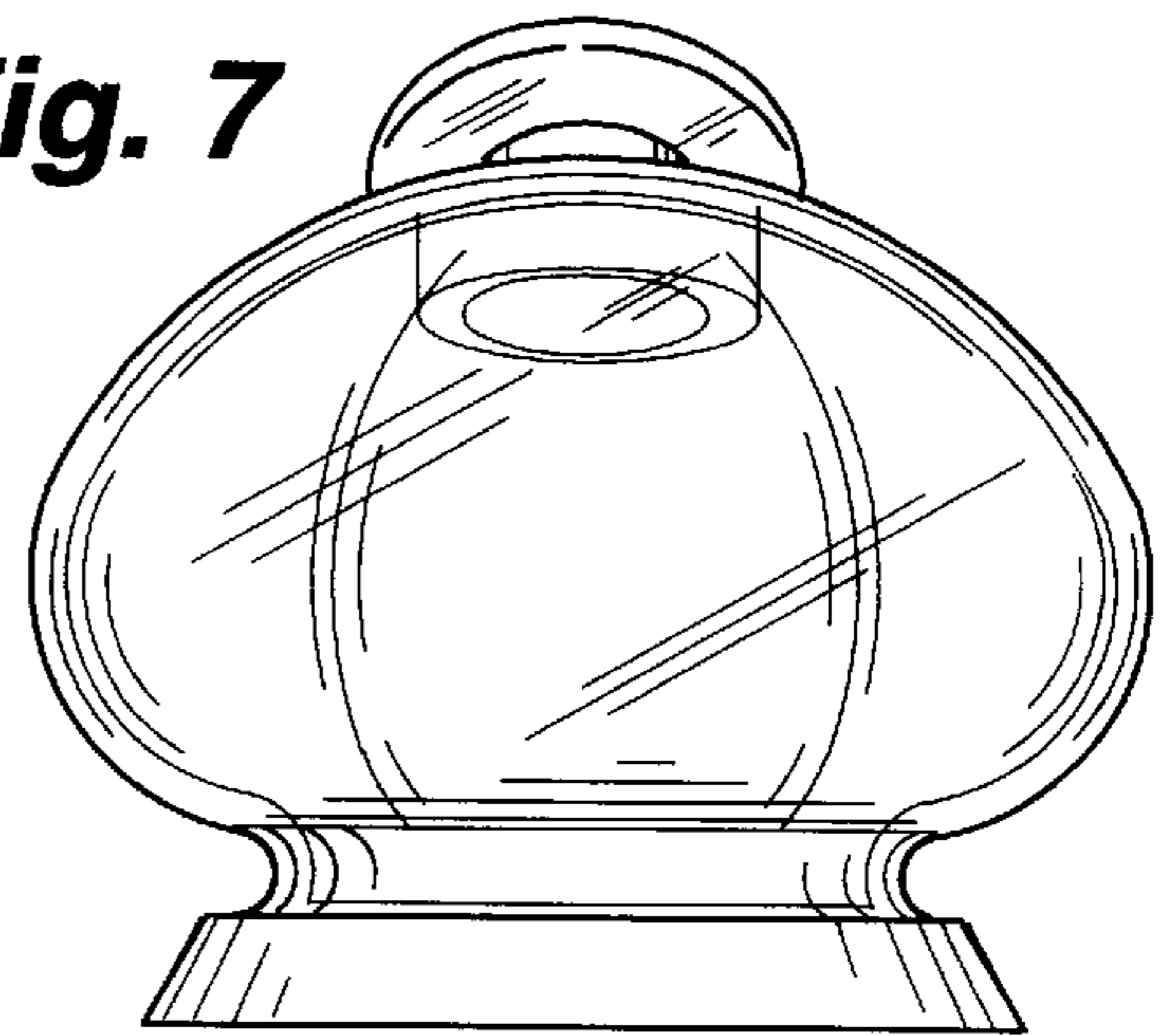


Fig. 8

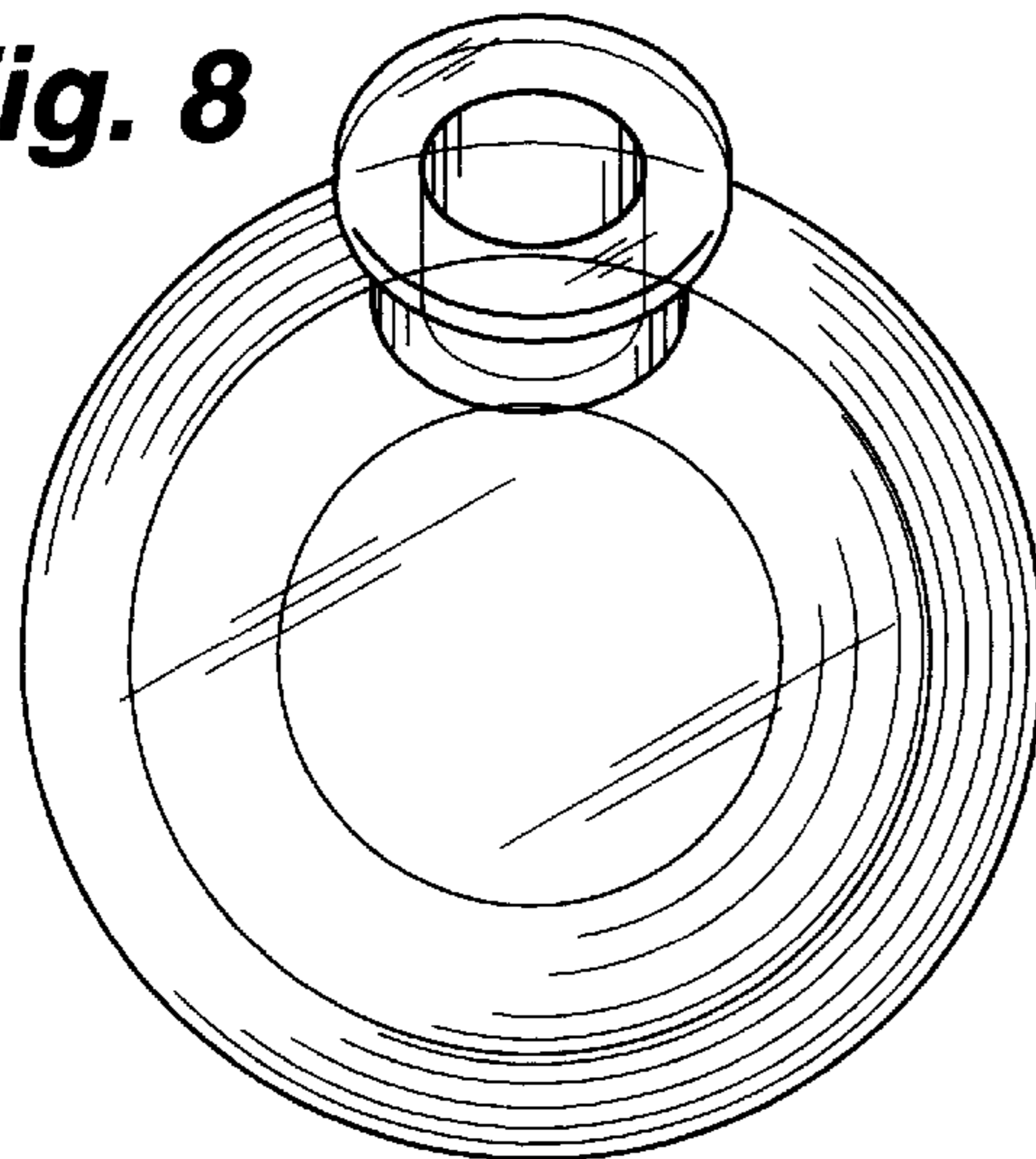


Fig. 9

