



US00D450890B1

(12) **United States Design Patent**  
**Van Buuren**

(10) **Patent No.:** **US D450,890 S**

(45) **Date of Patent:** **\*\* Nov. 20, 2001**

(54) **CALF NURSERY**

(76) **Inventor:** **Joseph Van Buuren**, 7793 Young St.,  
Grassie, Ontario (CA), L0R 1M0

(\*\*) **Term:** **14 Years**

(21) **Appl. No.:** **29/092,126**

(22) **Filed:** **Aug. 12, 1998**

(51) **LOC (7) Cl.** ..... **30-02**

(52) **U.S. Cl.** ..... **D30/108**

(58) **Field of Search** ..... D30/161, 108-109,  
D30/112-117; 119/464, 474, 484, 467,  
475, 436, 503, 445, 452-453, 782, 161-170

(56) **References Cited**

**U.S. PATENT DOCUMENTS**

D. 222,365	*	10/1971	Ahrens	.....	D30/113
D. 227,269	*	6/1973	Eddgwick	.....	D30/113
D. 240,051	*	5/1976	Mayfield	.....	D30/113
D. 245,190	*	7/1977	Higo	.....	D30/108
D. 320,479	*	10/1991	Cheval et al.	.....	D30/108
D. 363,367	*	10/1995	Hampel	.....	D30/108
D. 367,904	*	3/1996	Hodges	.....	D21/730

4,269,144 \* 5/1981 Ahrens ..... 119/445

4,372,251 \* 2/1983 Keith ..... 119/482

4,393,812 \* 7/1983 Ahrens ..... 119/445

\* cited by examiner

*Primary Examiner*—Cathy Anne MacCormac

(74) *Attorney, Agent, or Firm*—Ingrid E. Schmidt

(57) **CLAIM**

I claim the ornamental design for a calf nursery, as shown and described.

**DESCRIPTION**

FIG. 1 is a front and right side perspective view of a calf nursery showing my new design;

FIG. 2 is another perspective view thereof showing a hatch in a fully open position;

FIG. 3 is a rear and left side perspective view thereof;

FIG. 4 is a top plan view thereof;

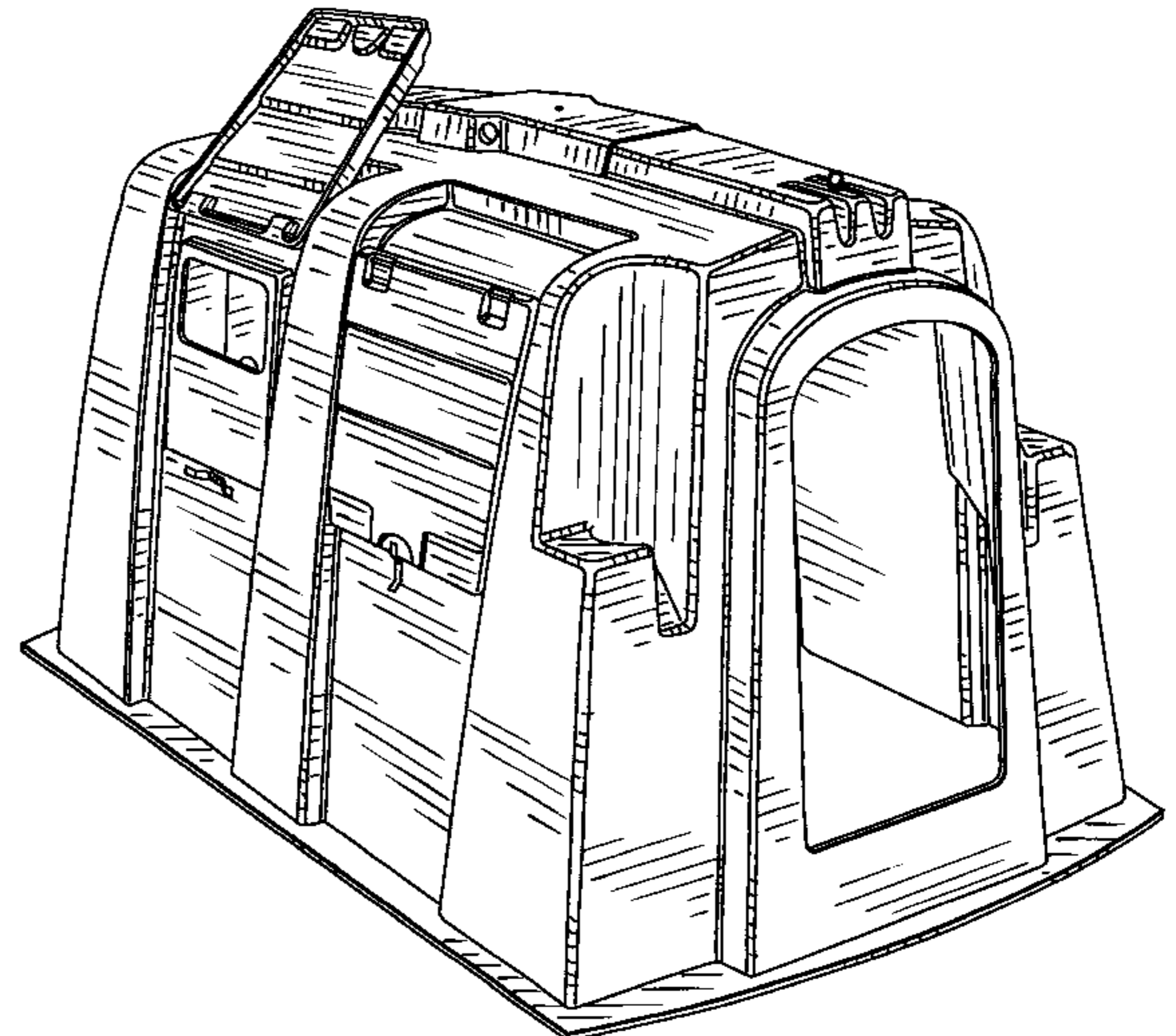
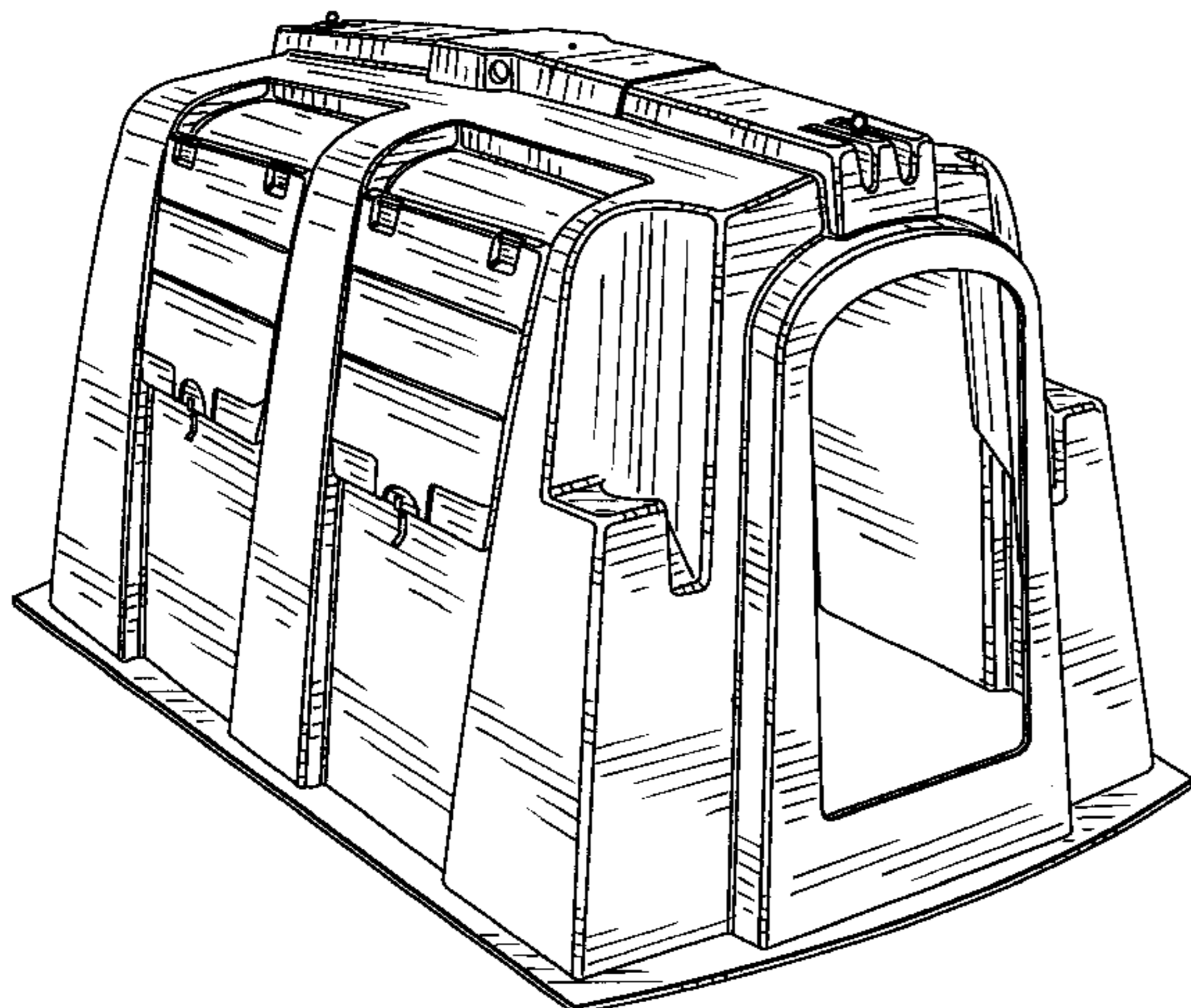
FIG. 5 is a back elevation view thereof;

FIG. 6 is a front elevation view thereof;

FIG. 7 is a right side elevation view thereof; and,

FIG. 8 is a left side elevation view thereof.

**1 Claim, 8 Drawing Sheets**



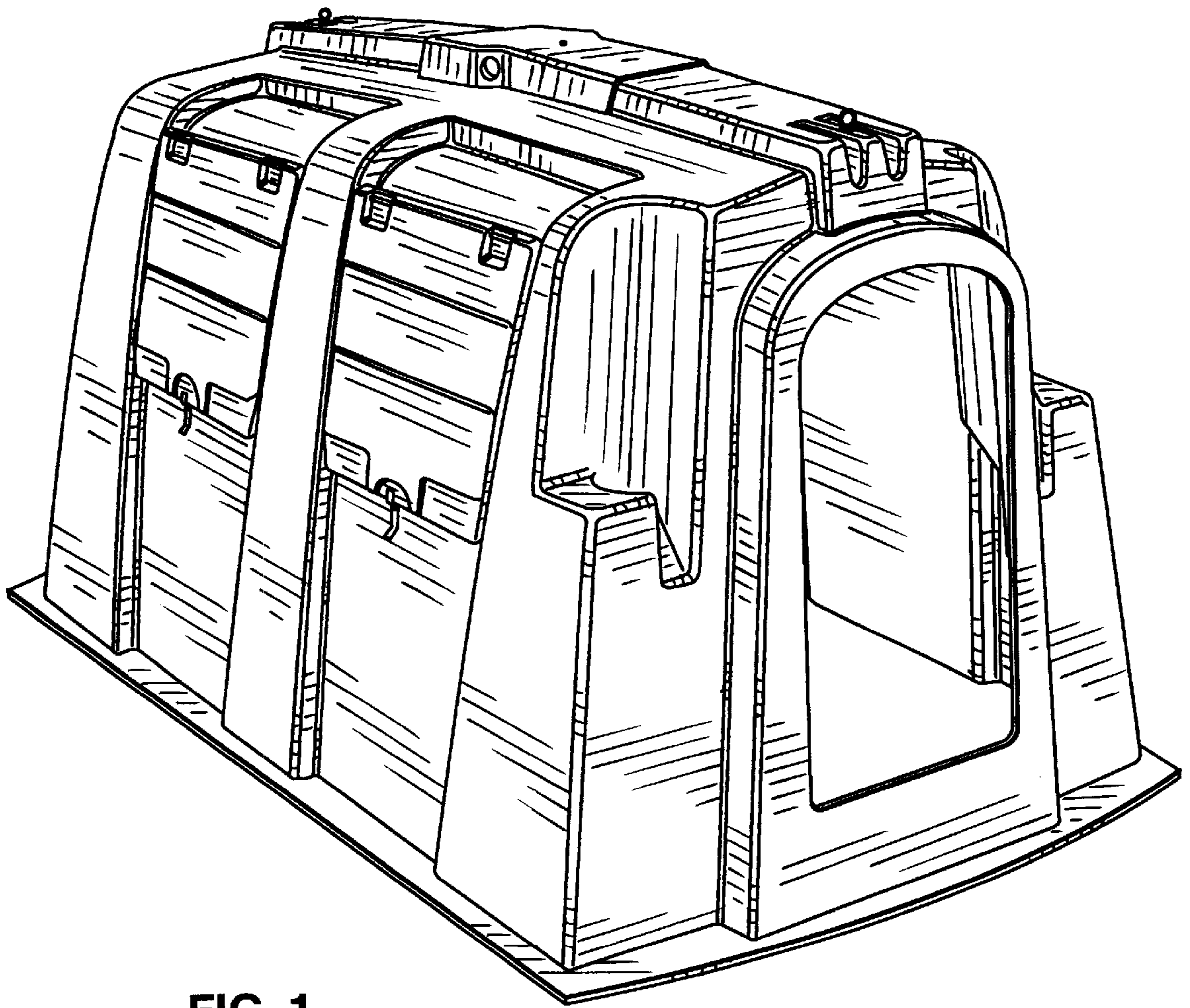


FIG. 1

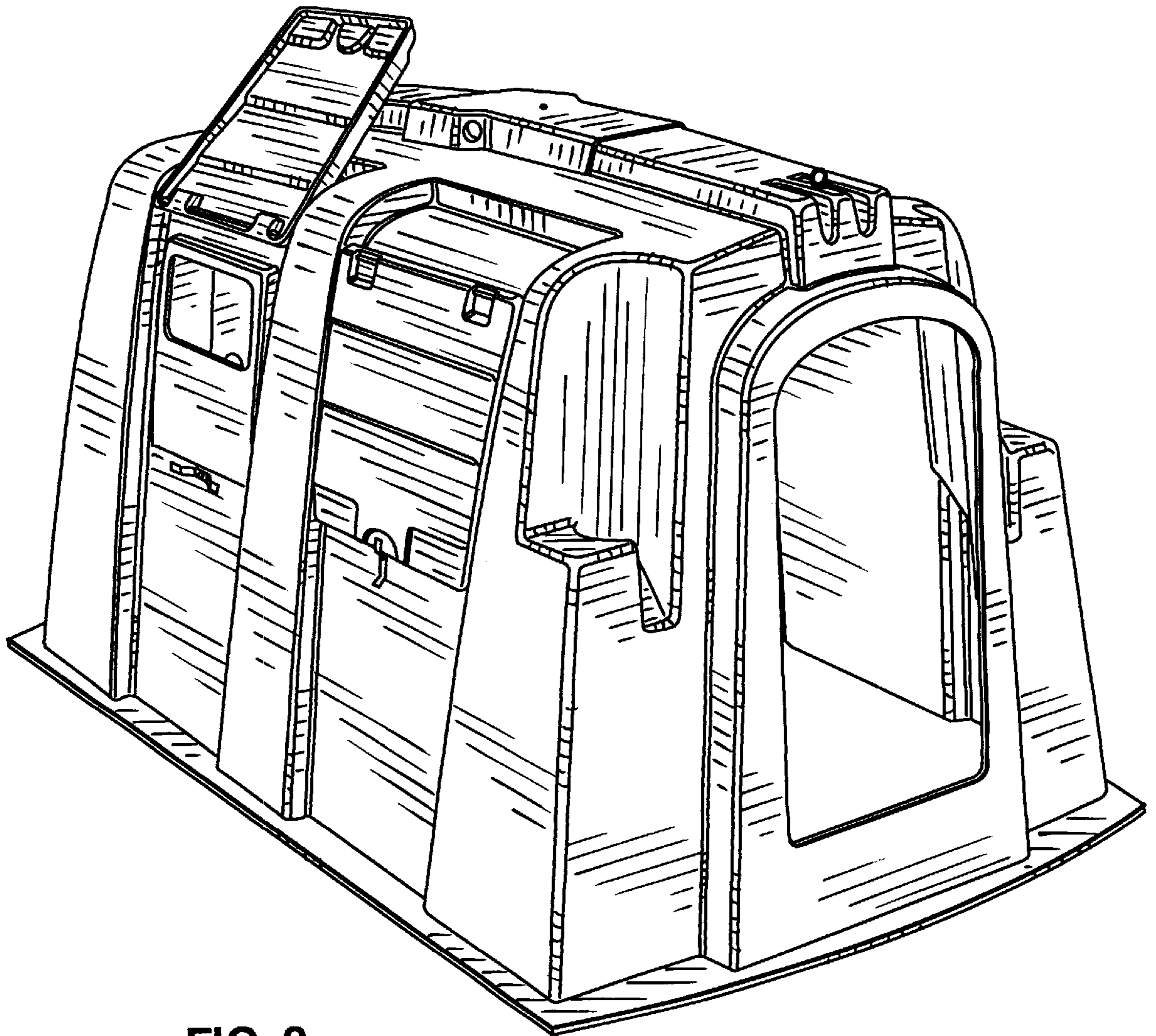
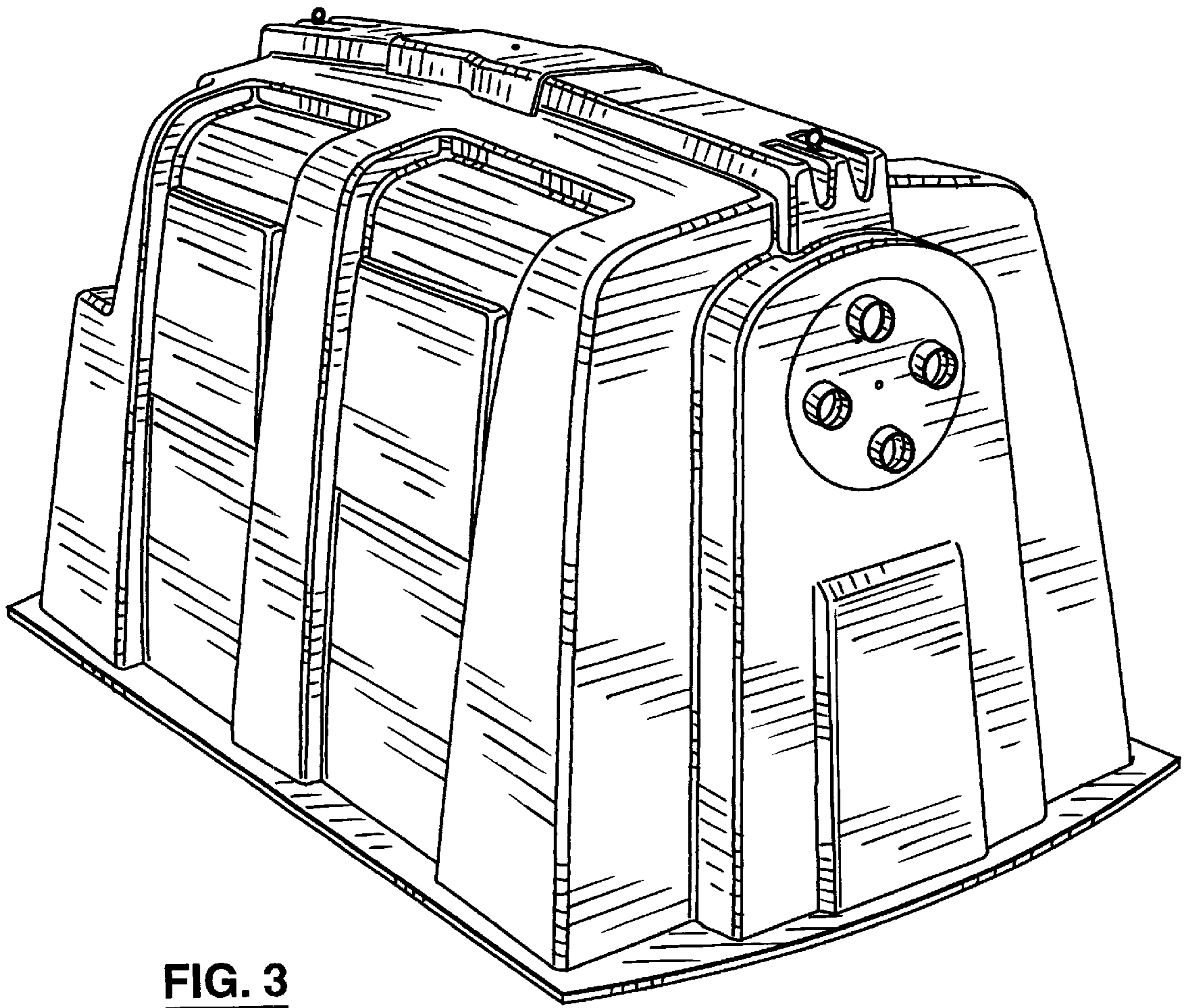
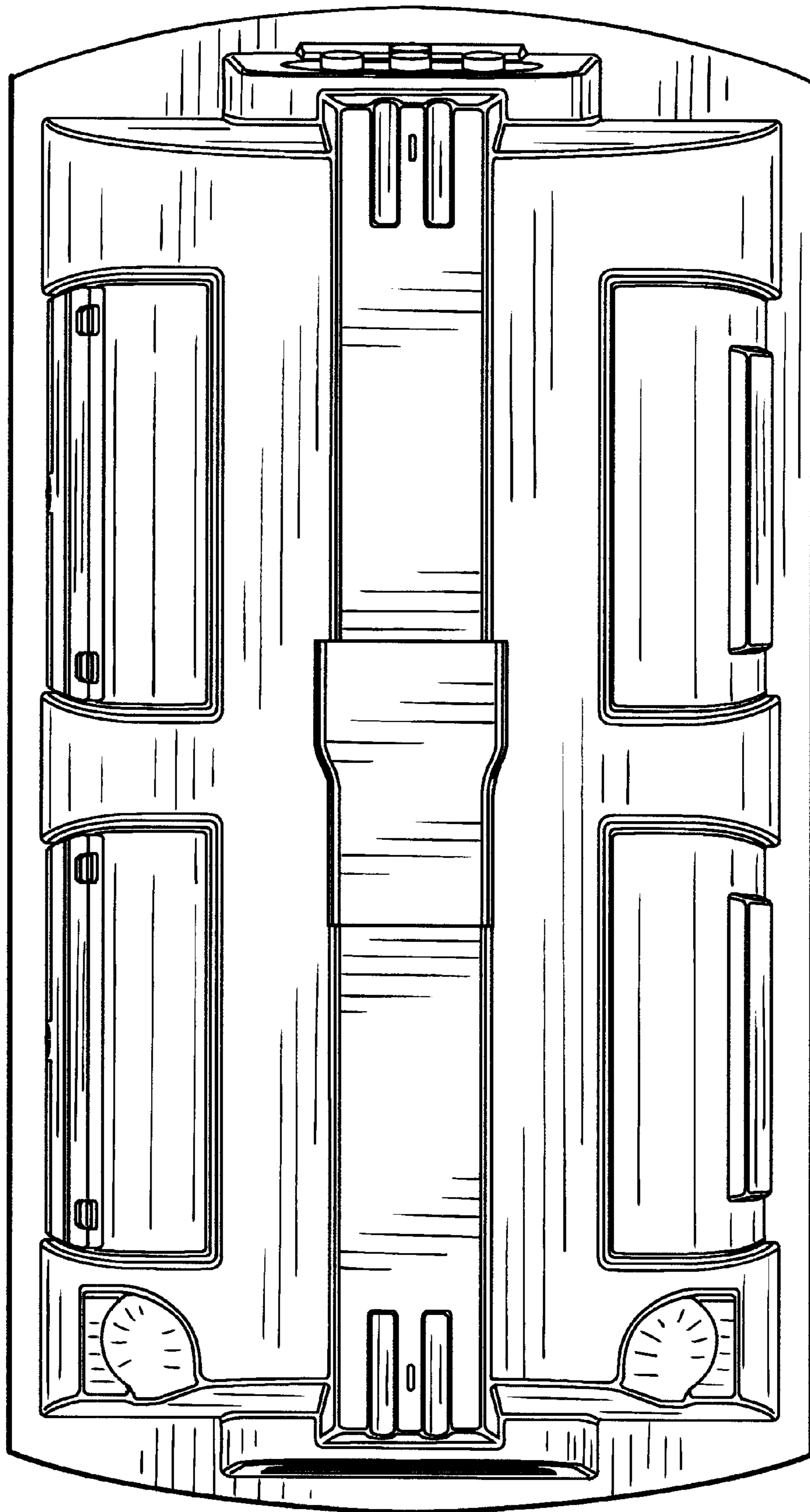


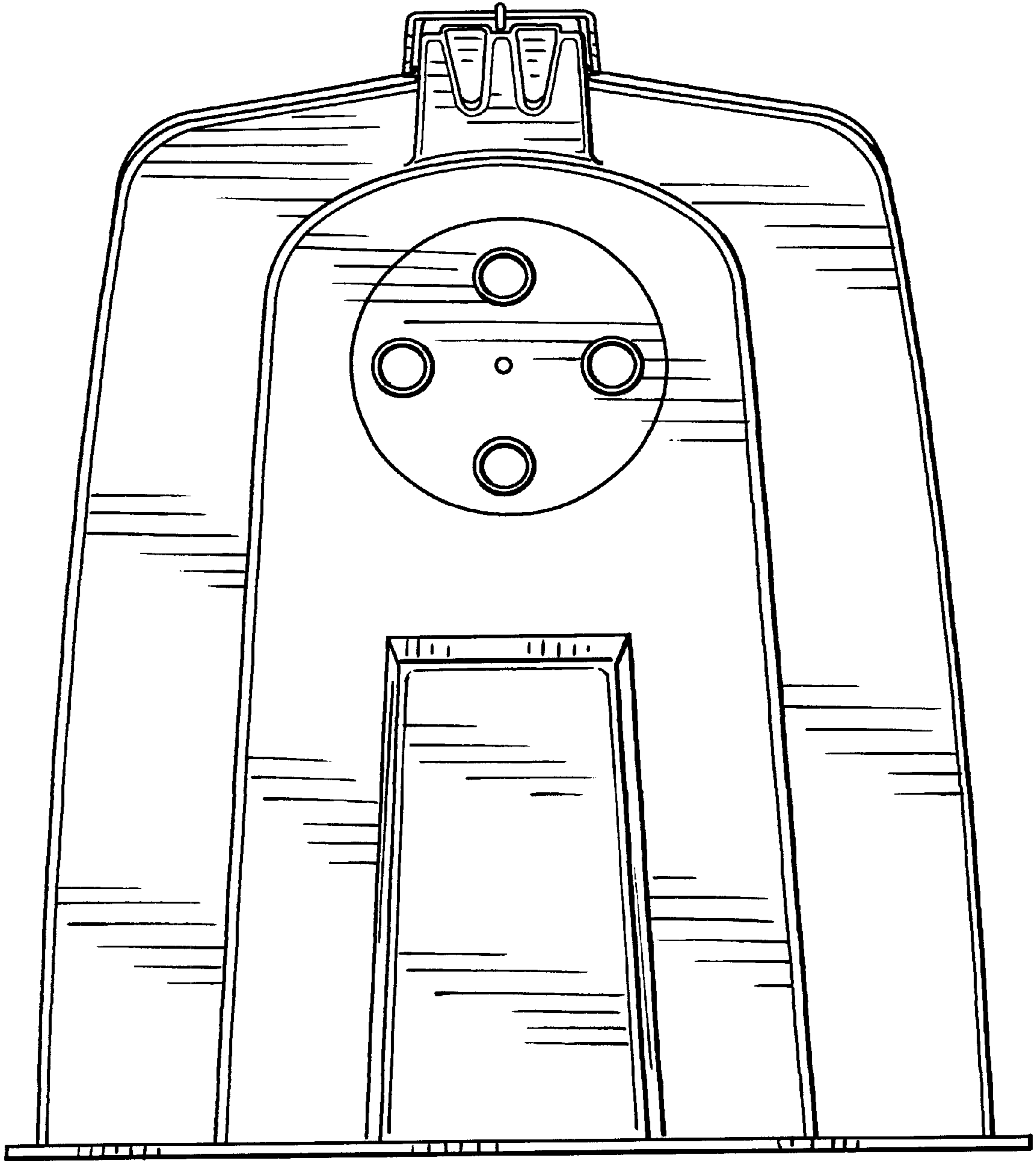
FIG. 2



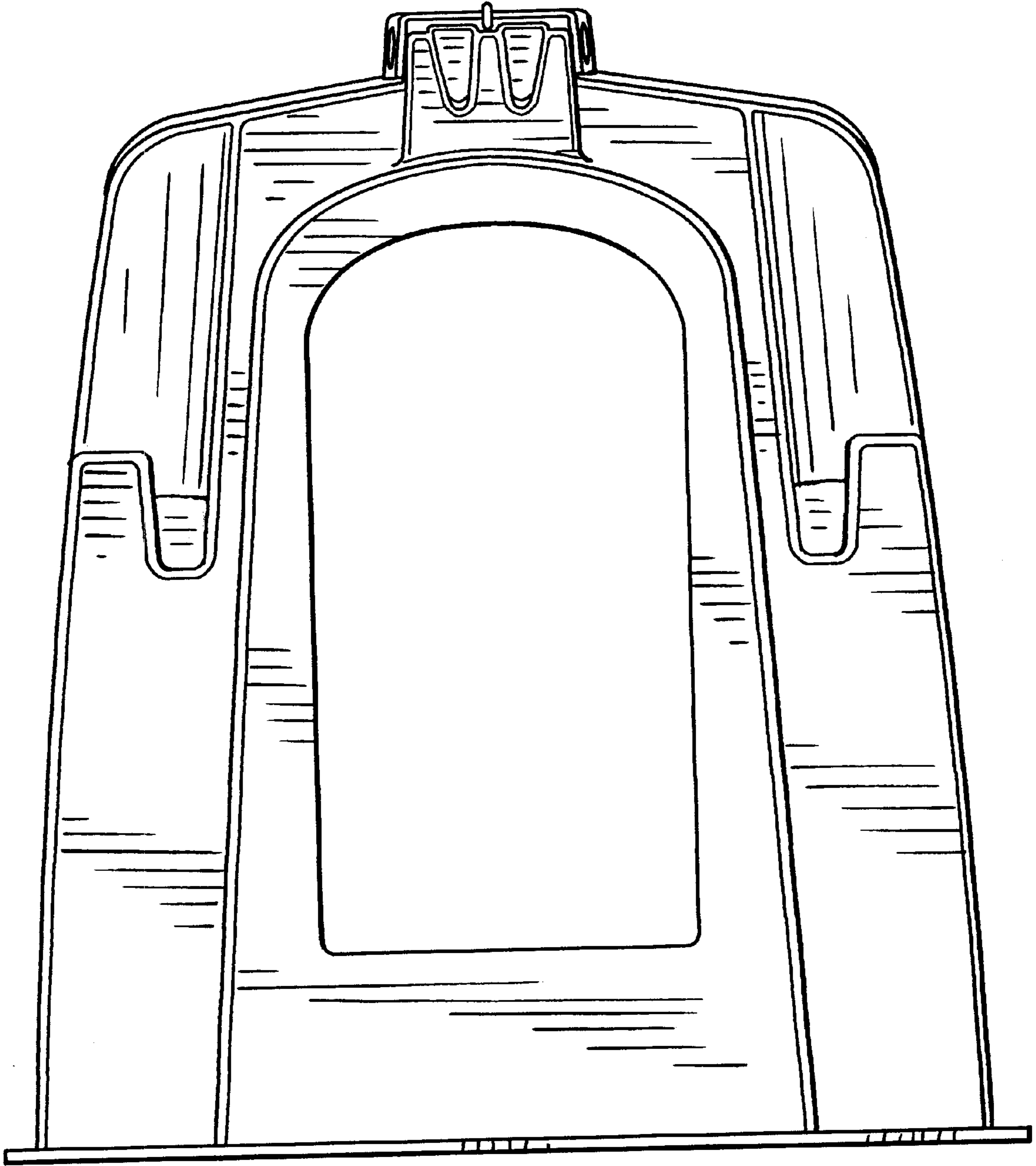
**FIG. 3**



**FIG. 4**



**FIG. 5**



**FIG. 6**

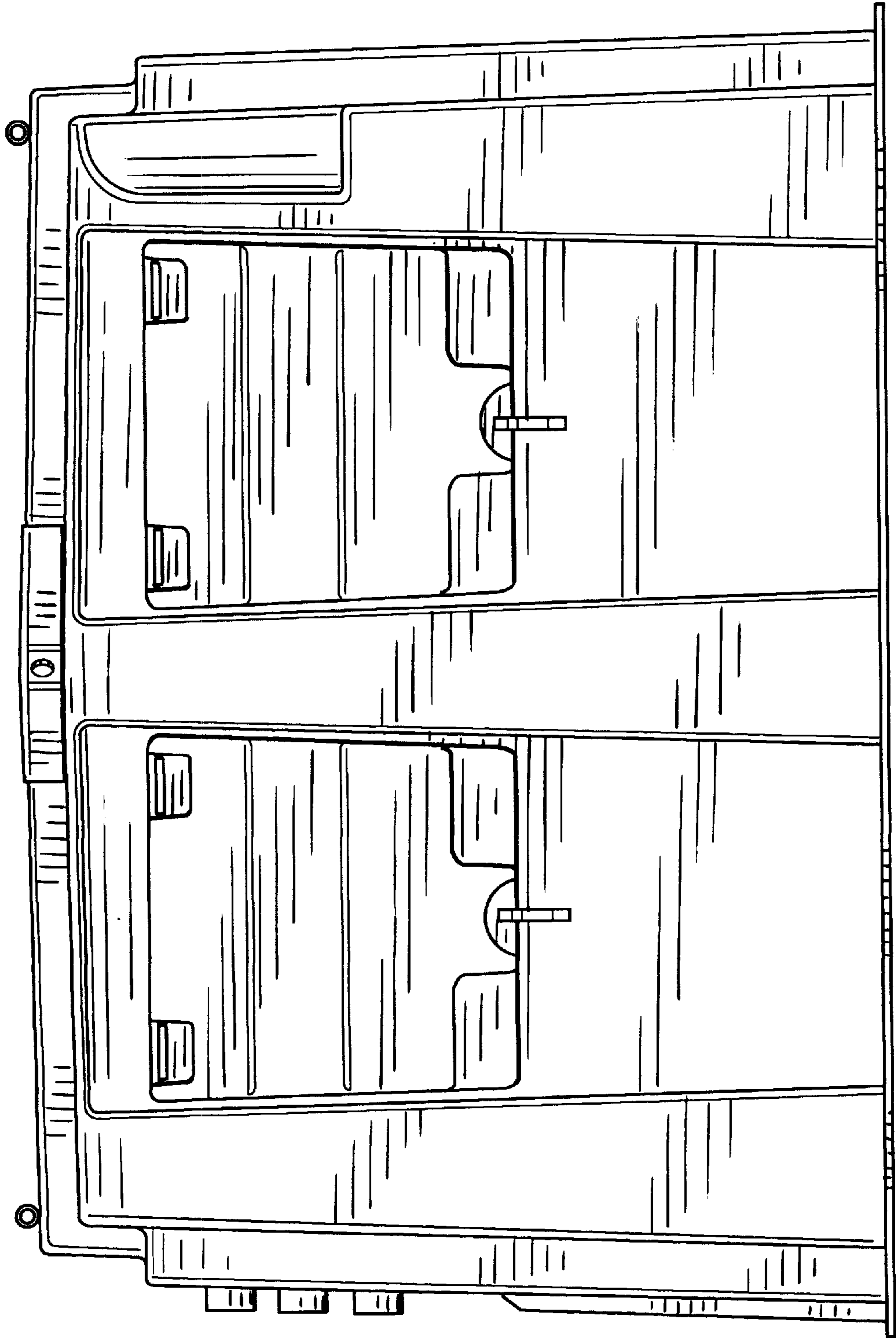


FIG. 7



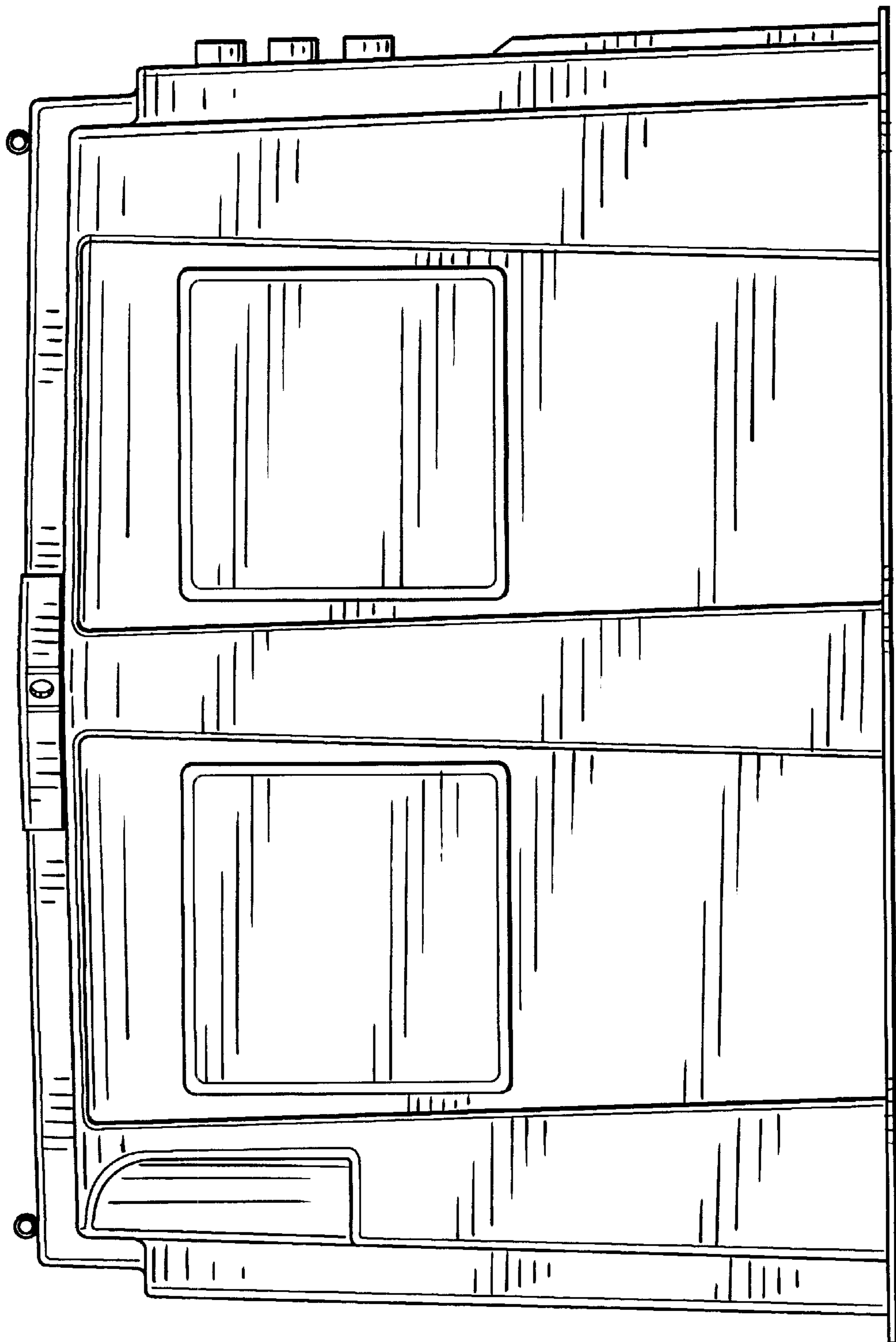


FIG. 8