



US00D450884B1

(12) **United States Design Patent**
Yoshida

(10) **Patent No.:** **US D450,884 S**

(45) **Date of Patent:** **** Nov. 20, 2001**

(54) **COMBINED HAIR DYE CONTAINER AND DISPENSER**

(75) Inventor: **Yasuhiro Yoshida**, Aichi-ken (JP)

(73) Assignee: **Hoyu Co., Ltd. General Research Institute** (JP)

(**) Term: **14 Years**

(21) Appl. No.: **29/116,024**

(22) Filed: **Dec. 23, 1999**

(30) **Foreign Application Priority Data**

Jun. 25, 1999 (JP) 11-16771

(51) **LOC (7) Cl.** **28-03**

(52) **U.S. Cl.** **D28/20; D28/25**

(58) **Field of Search** D28/7, 9, 10, 20, D28/25; D9/337, 338, 557, 551; D4/114; 132/112-116, 148, 207, 212, 208, 272, 320; 401/28; 601/154; 15/228

(56) **References Cited**

U.S. PATENT DOCUMENTS

D. 184,445	*	2/1959	Lerner	D9/436
D. 193,171	*	7/1962	Hulsh	D4/114
D. 322,752	*	12/1991	Zintzmeyer	D9/338
D. 400,358	*	11/1998	Zemel	D4/114
D. 401,380	*	11/1998	Steen et al.	D28/7
1,685,727	*	9/1928	Stewart	215/228
2,557,221	*	6/1951	Gazda	401/28 X
3,477,447	*	11/1969	Eldredge	132/212
4,516,591	*	5/1985	Hierholzer	132/116
5,311,887	*	5/1994	Ramsey	132/114
5,483,979	*	1/1996	Bertieri	132/114

FOREIGN PATENT DOCUMENTS

309725	*	11/1955	(CH)	132/114
1000642	*	2/1952	(FR)	132/114
1024333		10/1998	(JP)	.	

OTHER PUBLICATIONS

“Taiwan Telephone Book—Manufactures,” p. 499, Apr. 1997.

* cited by examiner

Primary Examiner—Ted Shooman

Assistant Examiner—Catherine Tuttle

(74) *Attorney, Agent, or Firm*—TraskBritt

(57) **CLAIM**

The ornamental design for a combined hair dye container and dispenser, as shown and described.

DESCRIPTION

FIG. 1 is a front view showing a combined hair dye container and dispenser according to the present invention, the rear view being a mirror image thereof;

FIG. 2 is a plan view showing the combined hair dye container and dispenser of FIG. 1;

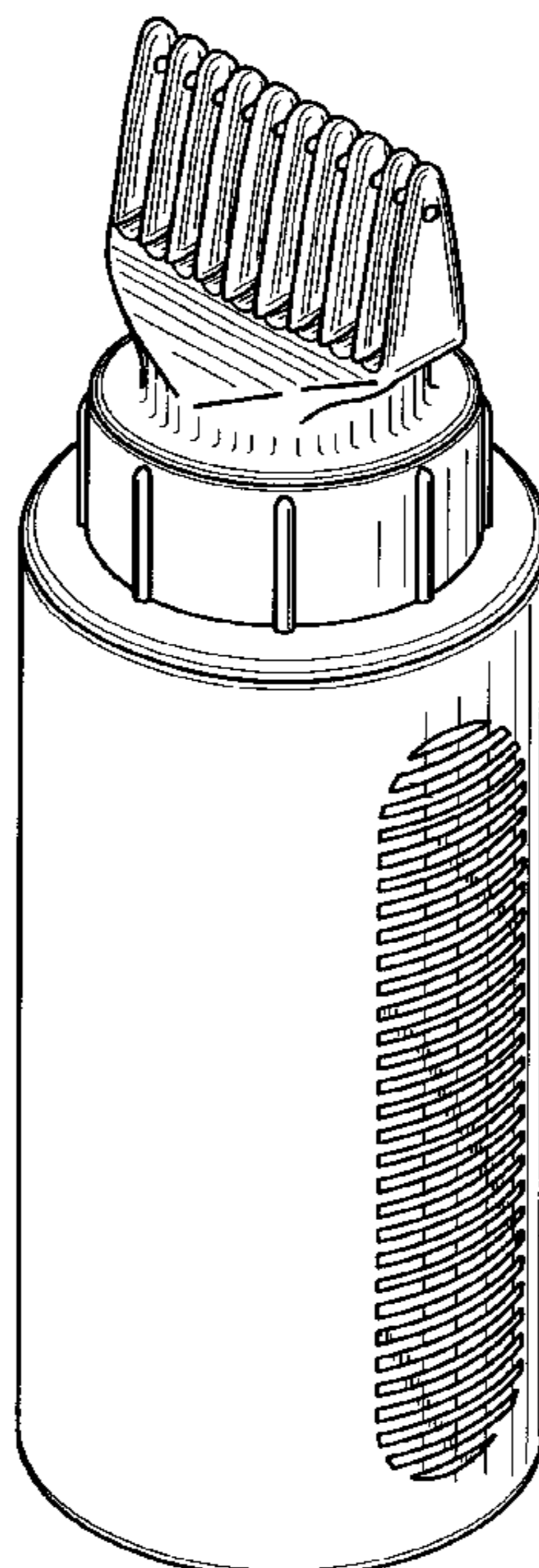
FIG. 3 is a left view showing the combined hair dye container and dispenser of FIG. 1;

FIG. 4 is a right view showing the combined hair dye container and dispenser of FIG. 1; and,

FIG. 5 is a perspective view showing the combined hair dye container and dispenser of FIG. 1.

The surface or portion of the article not shown in the drawing or described in the specification forms no part of the claimed design.

1 Claim, 3 Drawing Sheets



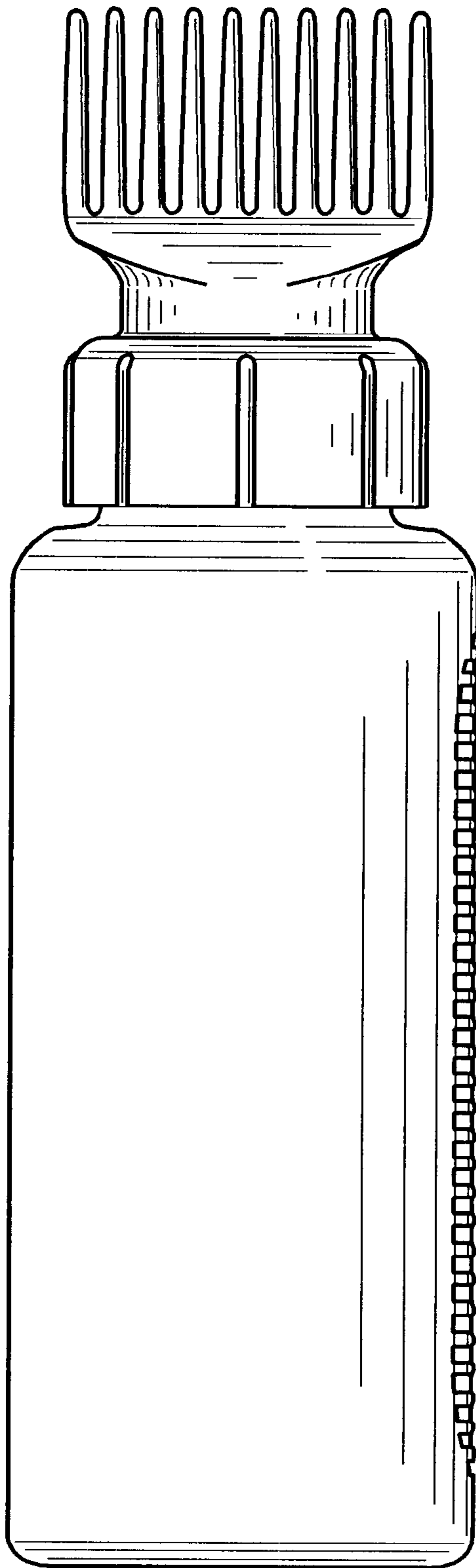


Fig. 1

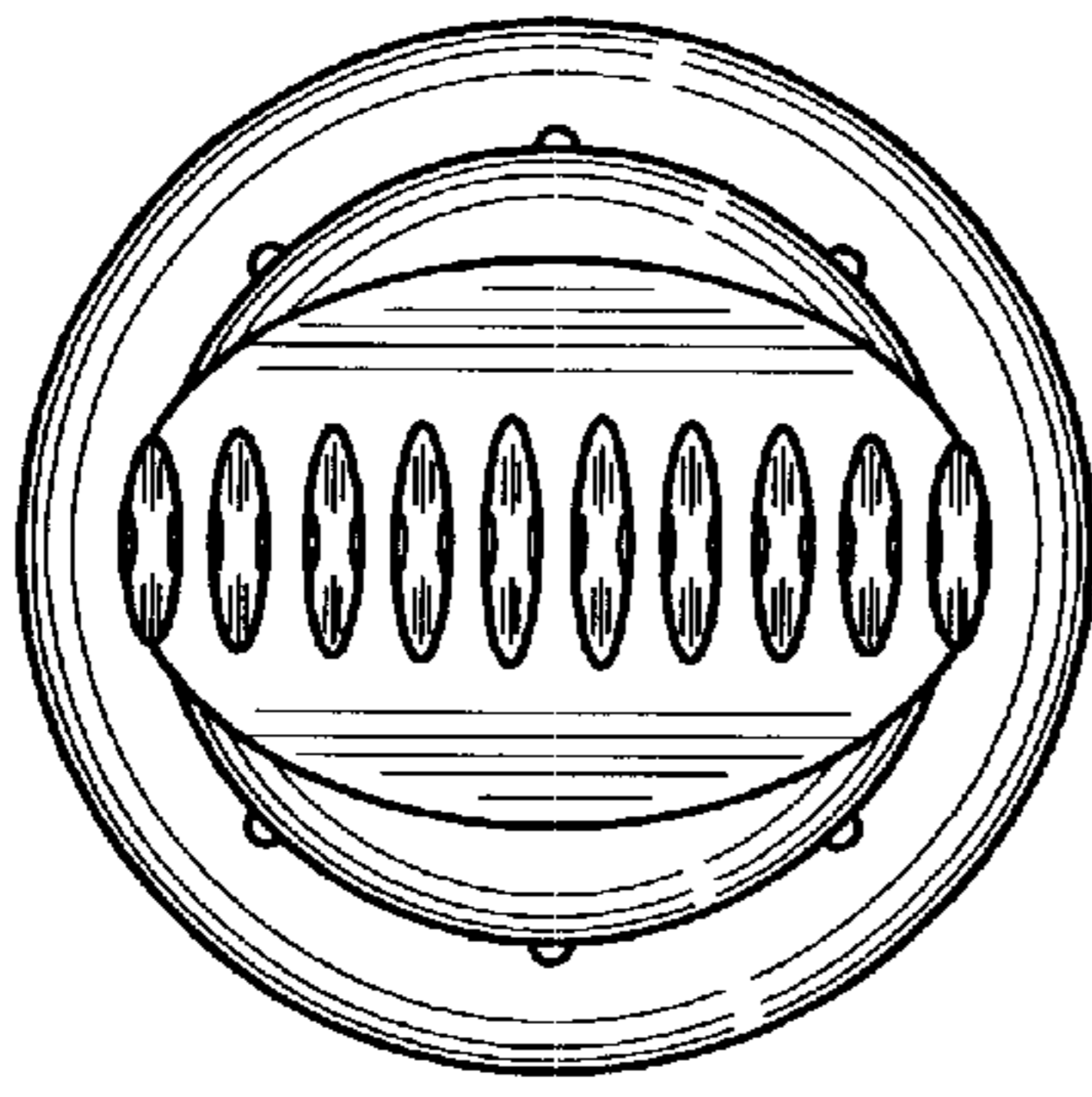


Fig. 2

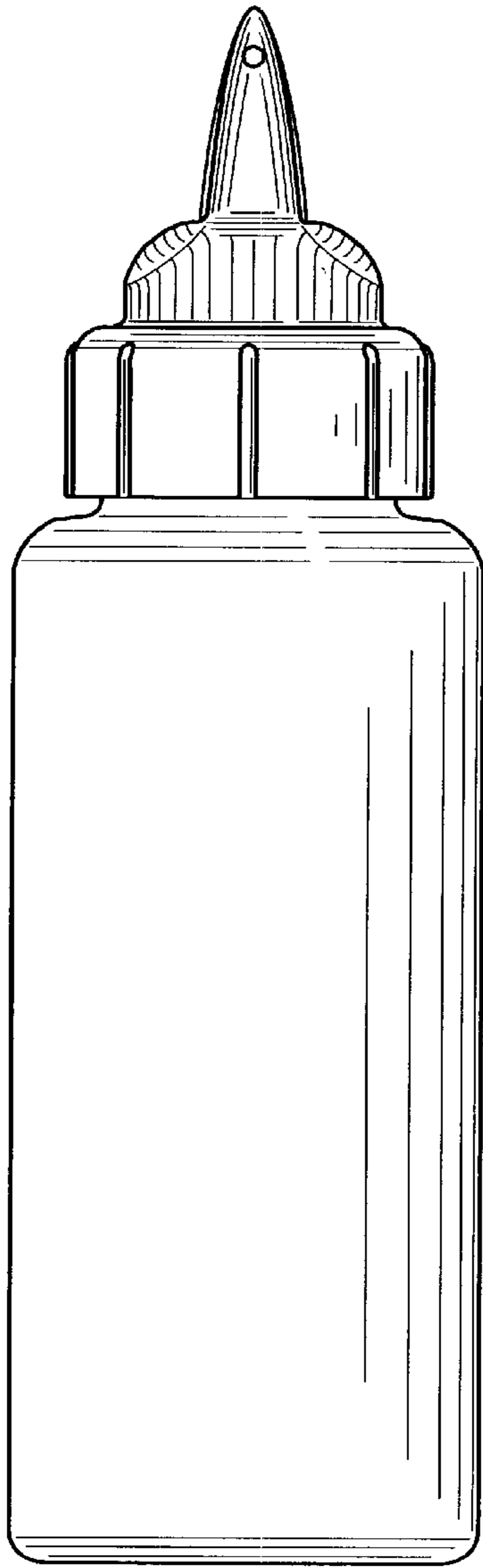


Fig. 3

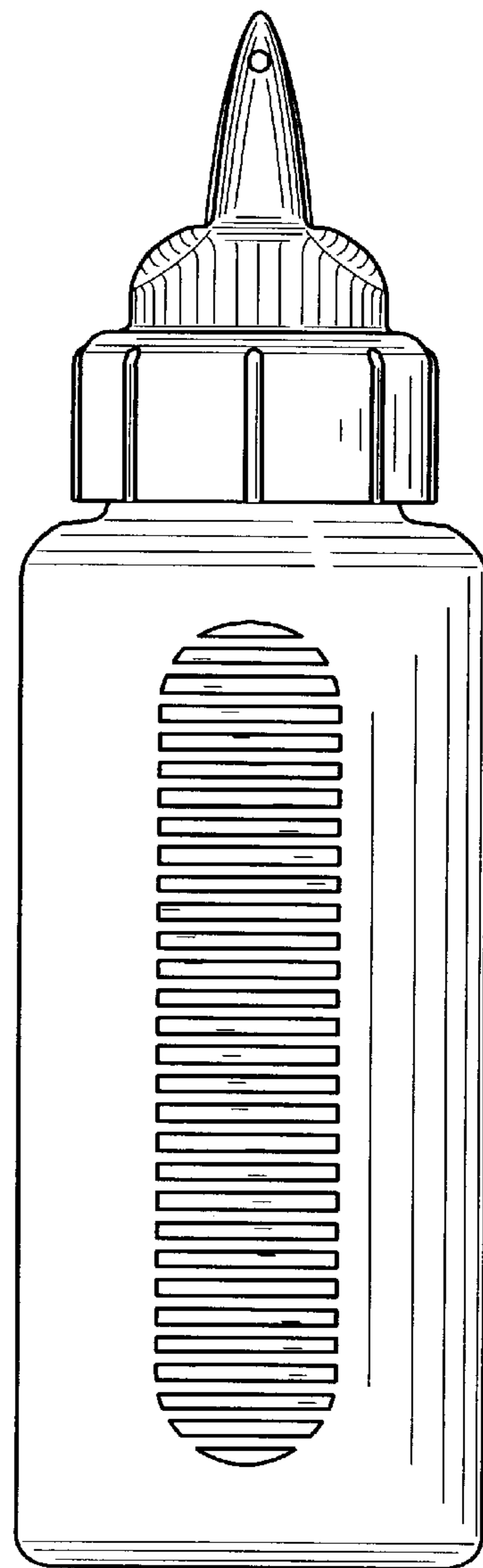


Fig. 4

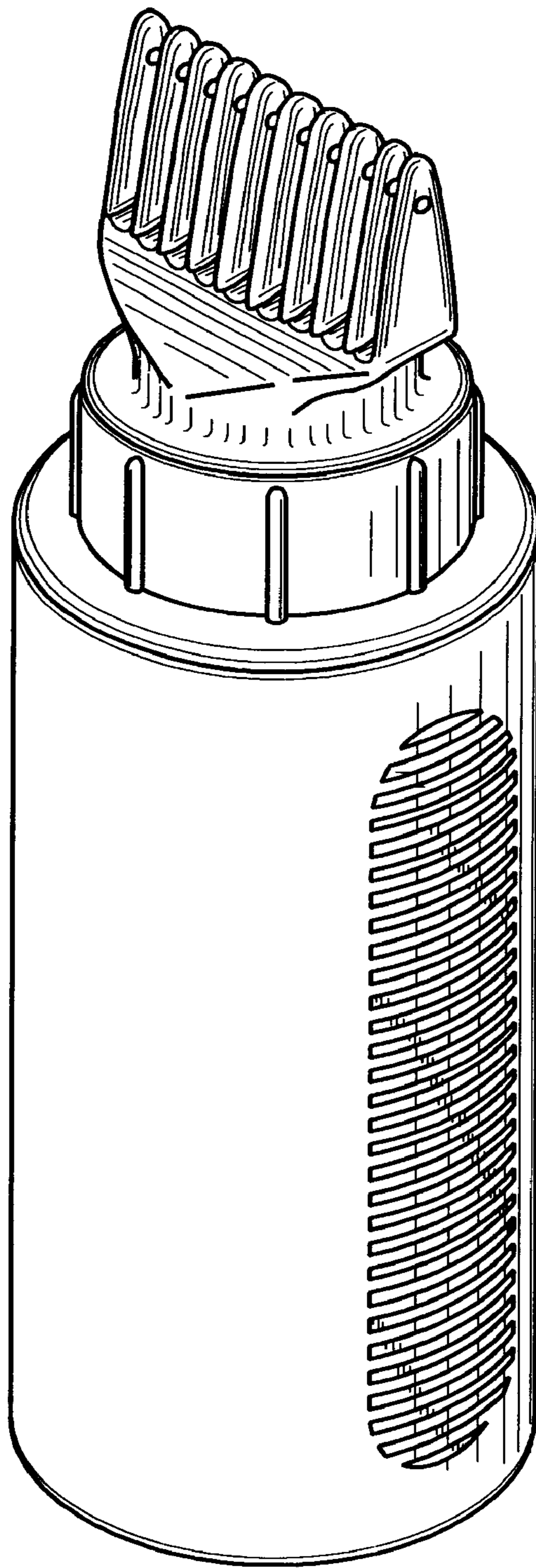


Fig. 5