



US00D450879B1

(12) **United States Design Patent**
Orozco

(10) **Patent No.:** **US D450,879 S**

(45) **Date of Patent:** **** *Nov. 20, 2001**

(54) **LAMP**

(75) Inventor: **Sergio J. Orozco**, West New York, NJ (US)

(73) Assignee: **Quoizel, Inc.**, Goose Creek, SC (US)

(**) Term: **14 Years**

(21) Appl. No.: **29/128,307**

(22) Filed: **Aug. 22, 2000**

(51) **LOC (7) Cl.** **26-03**

(52) **U.S. Cl.** **D26/110**

(58) **Field of Search** D26/92-112, 142;
362/410-414

(56) **References Cited**

U.S. PATENT DOCUMENTS

D. 50,857	*	3/1917	West et al.	D26/110
D. 177,744	*	5/1956	Minea	D26/106
D. 391,005	*	2/1998	Gunthert	D26/110
D. 434,173	*	11/2000	Rochon	D26/108
1,473,380	*	11/1923	Peterson	362/414 X

OTHER PUBLICATIONS

Interpretations by Fredrick Ramond sales brochure, lamp No. 2720-TL, Dec. 1995.*

Item Nos. 8682/739, 8683/774, 8656/753 and 8646/754, Catalog pp. 16-17, Dale Tiffany Catalog No. 9811, 1998.

* cited by examiner

Primary Examiner—Alan P. Douglas

Assistant Examiner—Linda Brooks

(74) *Attorney, Agent, or Firm*—Nelson Mullins Riley & Scarborough

(57) **CLAIM**

The ornamental design for a lamp, substantially as shown and described.

DESCRIPTION

FIG. 1 is a perspective view of a lamp embodying the design of the present invention.

FIG. 2 is a front side elevational view of the lamp illustrated in FIG. 1, the back side elevational view, left side elevational view and right side elevational view being identical thereto.

FIG. 3 is a top view of the lamp of FIG. 1; and,

FIG. 4 is a bottom view of the lamp of FIG. 1.

The lamp shade shown in broken lines does not form a part of the claimed design.

1 Claim, 4 Drawing Sheets

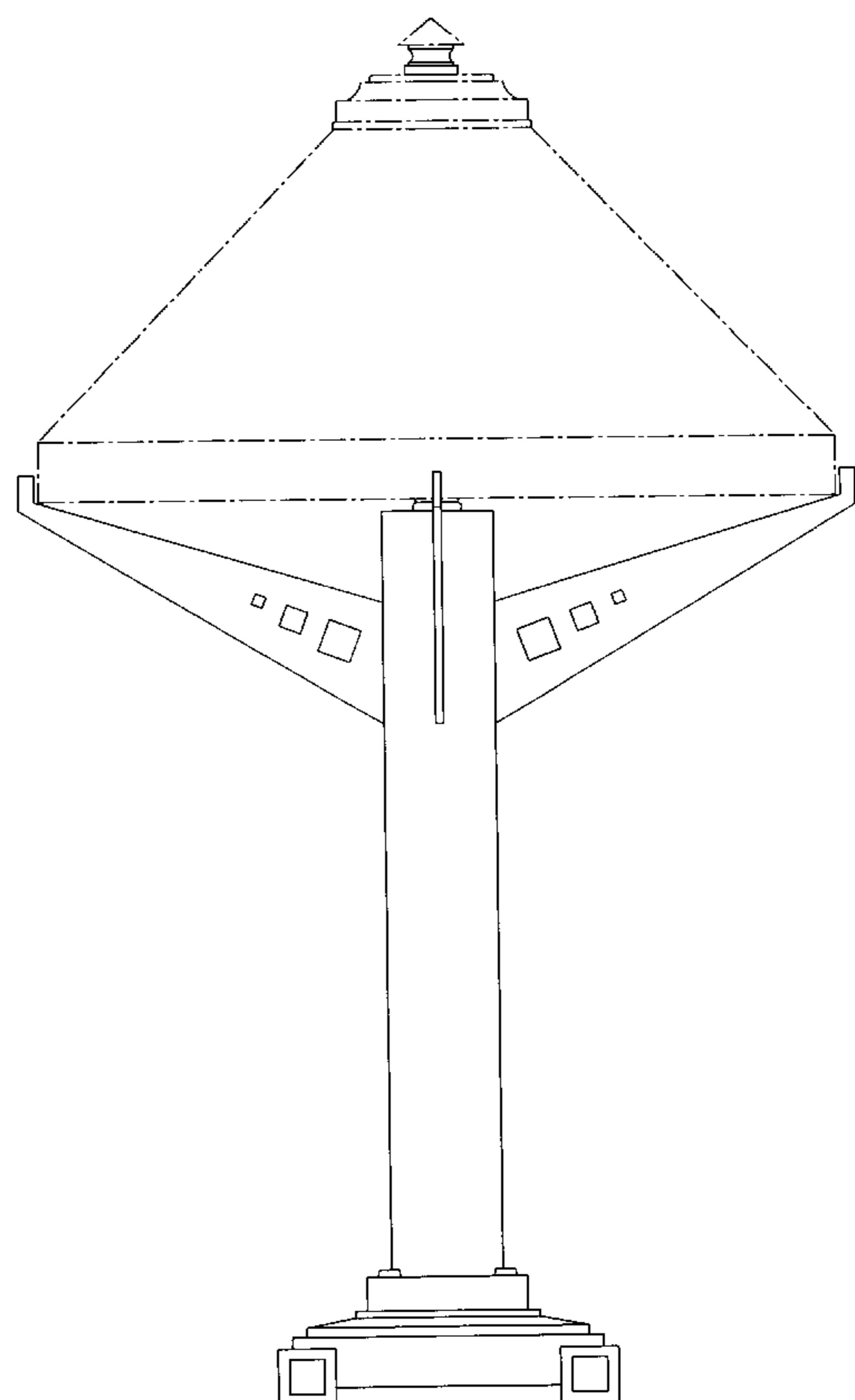
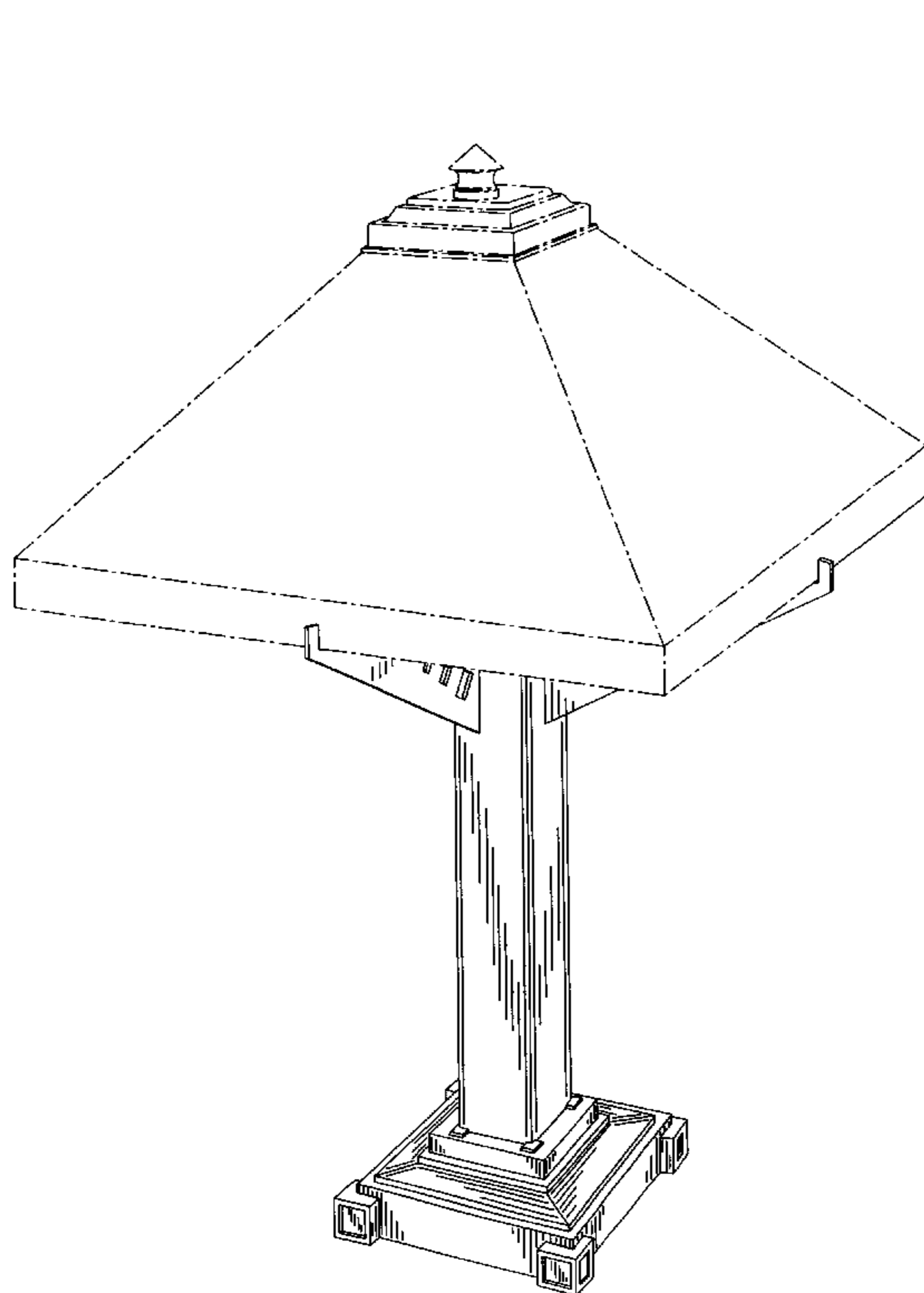


FIG. 1

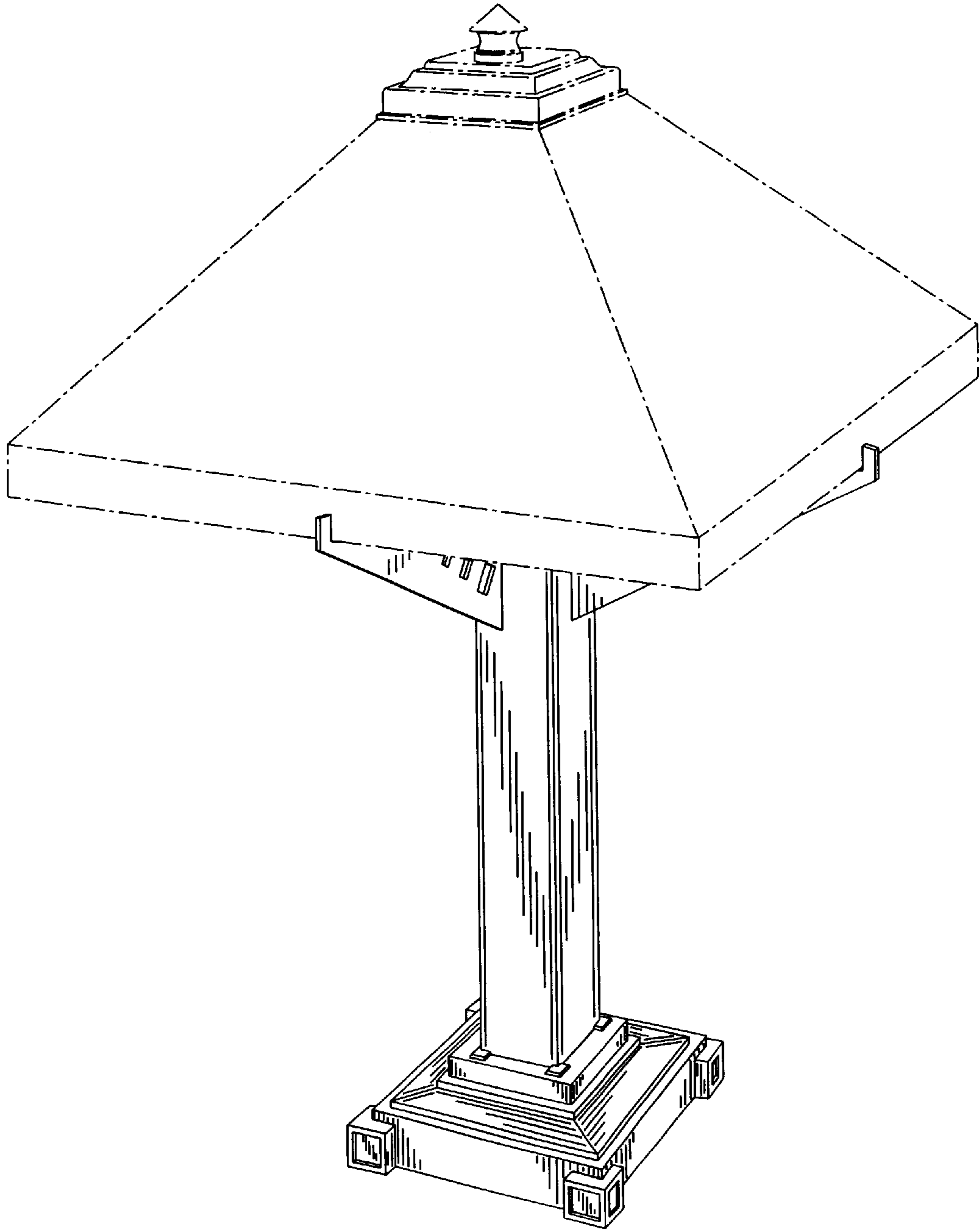


FIG. 2

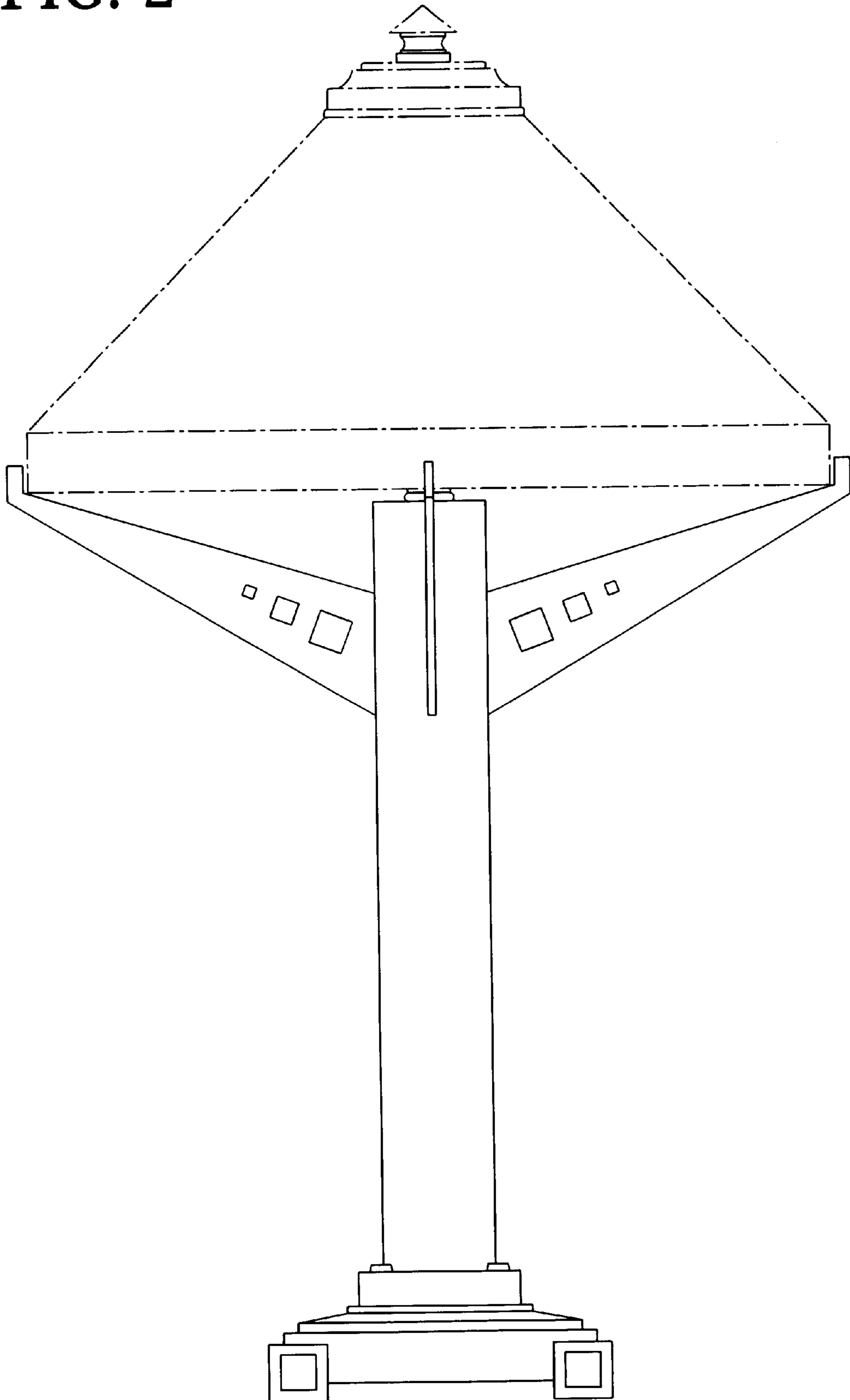


FIG. 3

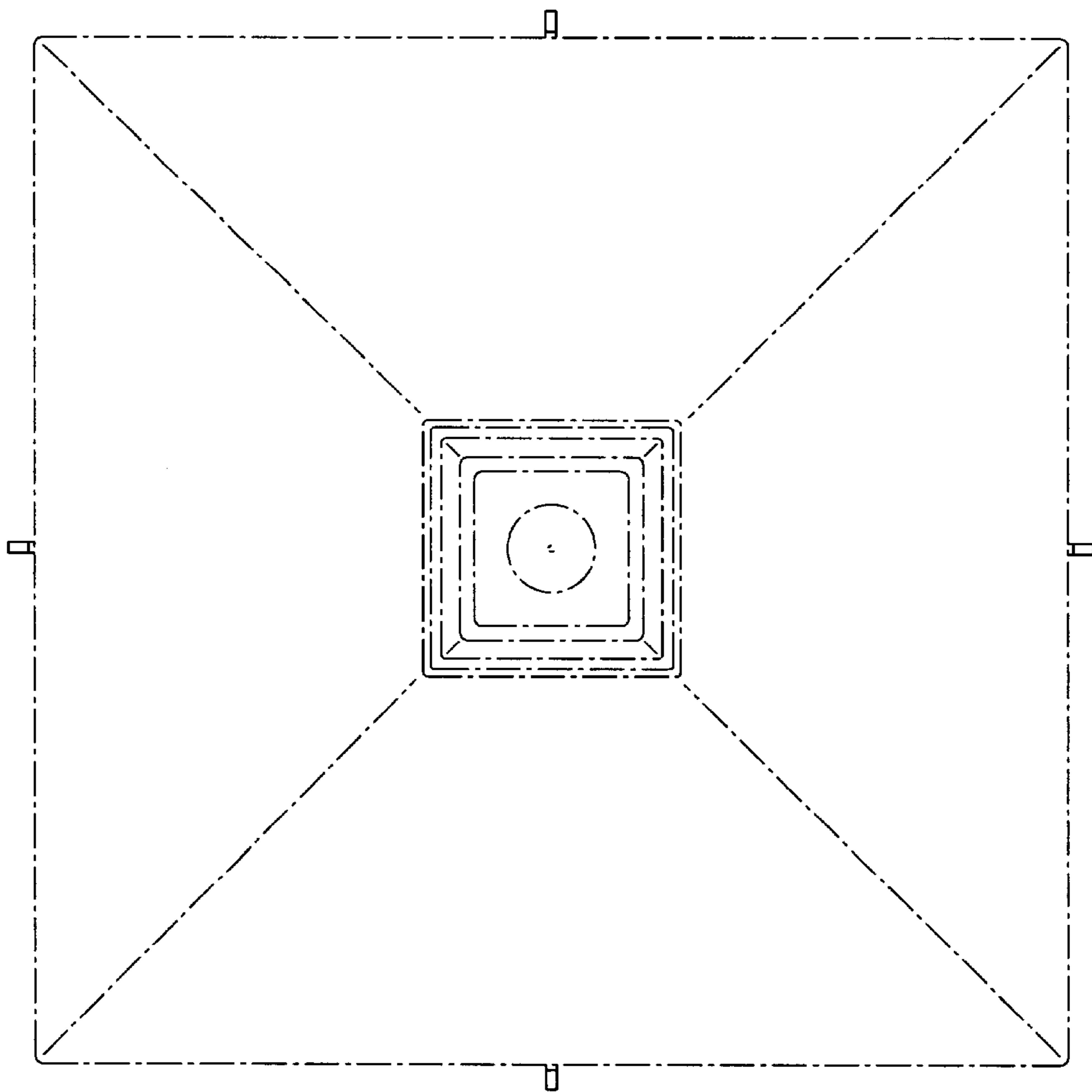


FIG. 4

