



US00D450877B1

(12) **United States Design Patent**  
**Marino et al.**

(10) **Patent No.:** **US D450,877 S**

(45) **Date of Patent:** **\*\* Nov. 20, 2001**

(54) **LAMP**

(75) Inventors: **Francis E. Marino**, Meredith, NH (US); **Paul A. Izzo**, Sharon, MA (US)

(73) Assignee: **The Holmes Group, Inc.**, Milford, MA (US)

(\*\*) Term: **14 Years**

(21) Appl. No.: **29/135,132**

(22) Filed: **Jan. 5, 2001**

(51) **LOC (7) Cl.** ..... **26-03**

(52) **U.S. Cl.** ..... **D26/104**

(58) **Field of Search** ..... D26/93-112; 362/410-414, 362/806, 811

(56) **References Cited**

**U.S. PATENT DOCUMENTS**

D. 433,768	*	11/2000	Huang	.....	D26/104
3,387,396		6/1968	Smith	.	
3,570,156		3/1971	Walker	.	
4,170,035		10/1979	Walker	.	

**OTHER PUBLICATIONS**

U.S. Registration No. 1,611,140—registered on Aug. 28, 1990—for configuration of Haggerty Enterprises motion lamp.

U.S. Registration No. 2,133,753—registered on Nov. 18, 1997—for configuration of Haggerty Enterprises motion lamp.

Taiwan Lighting Catalog No. 56, May 1999 (8 pages)—12, 103, 106, 108, 109, 111, 116.

Lava Work International Products—dated Jun. 8, 2000, <http://www.lavaworld.com>, 51 pages.

6 panels of box for Holmes “Mood/Motion Lamp”—purchased Jan. 2000.

\* cited by examiner

*Primary Examiner*—Alan P. Douglas

*Assistant Examiner*—Linda Brooks

(74) *Attorney, Agent, or Firm*—Brinks Hofer Gilson & Lione; Frank E. Marino

(57) **CLAIM**

The ornamental design for a lamp, as shown and described.

**DESCRIPTION**

FIG. 1 is a front view thereof;

FIG. 2 is a right side view thereof, which is similar to a left side view;

FIG. 3 is a rear view thereof;

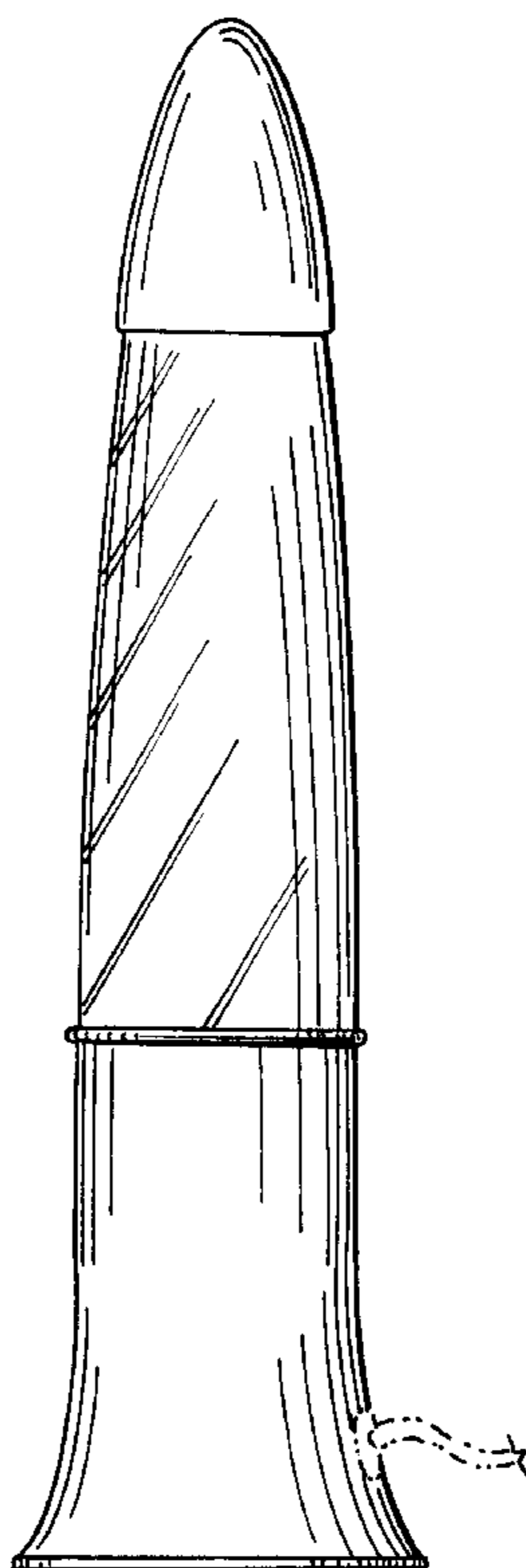
FIG. 4 is a top view thereof; and,

FIG. 5 is a perspective view of a lamp showing our new design.

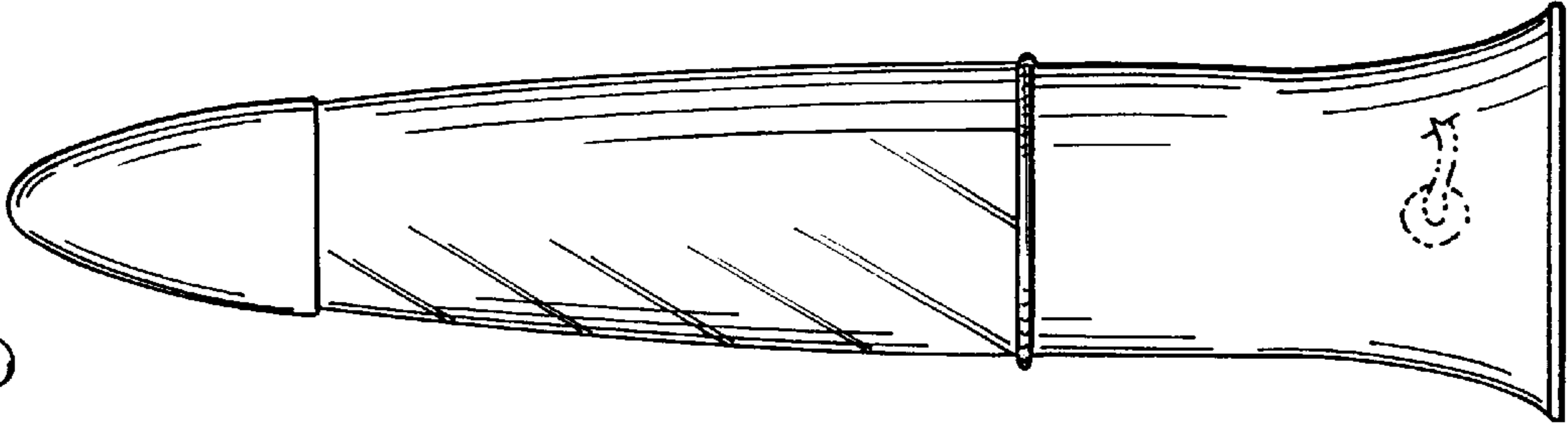
The bottom side is plain and unornamented.

The subject matter shown in broken lines forms no part of the claimed design.

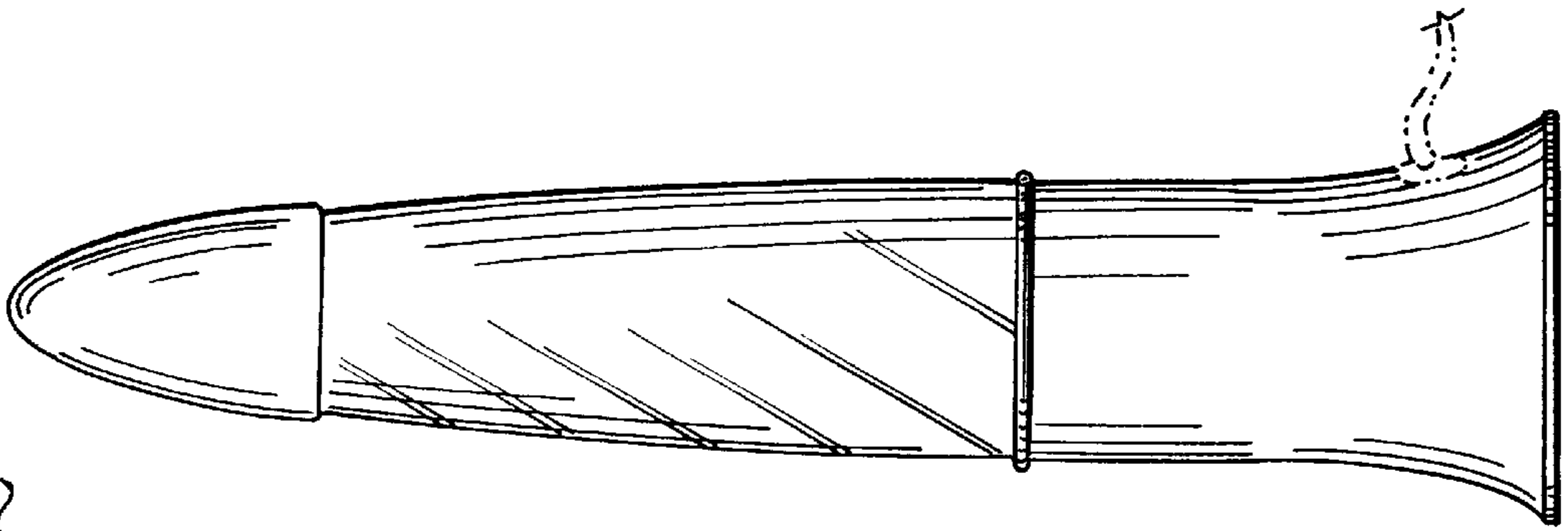
**1 Claim, 2 Drawing Sheets**



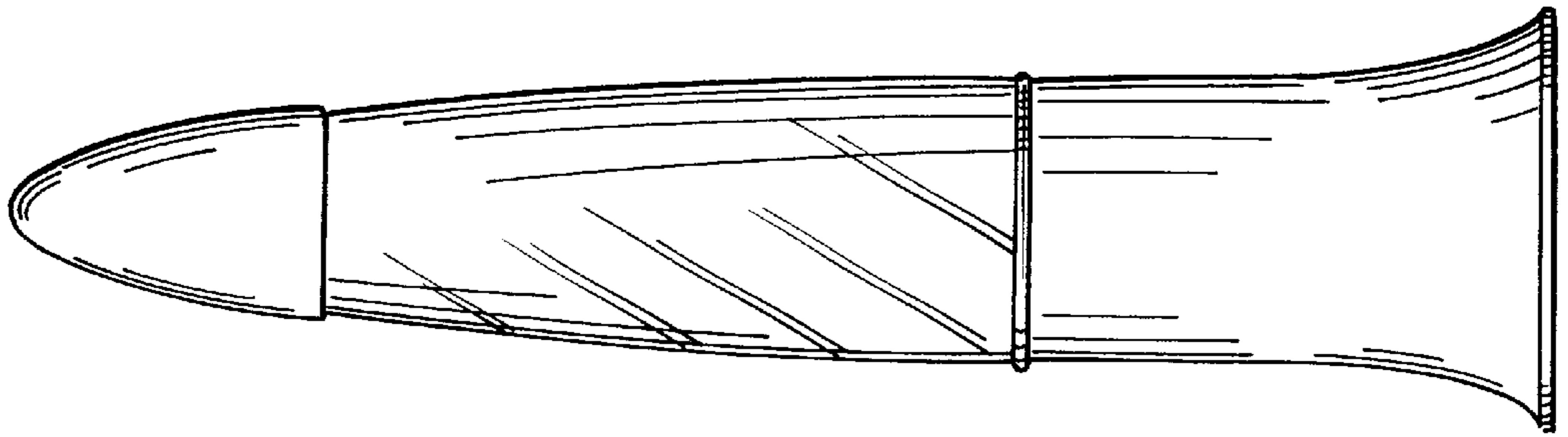
*Fig. 3*

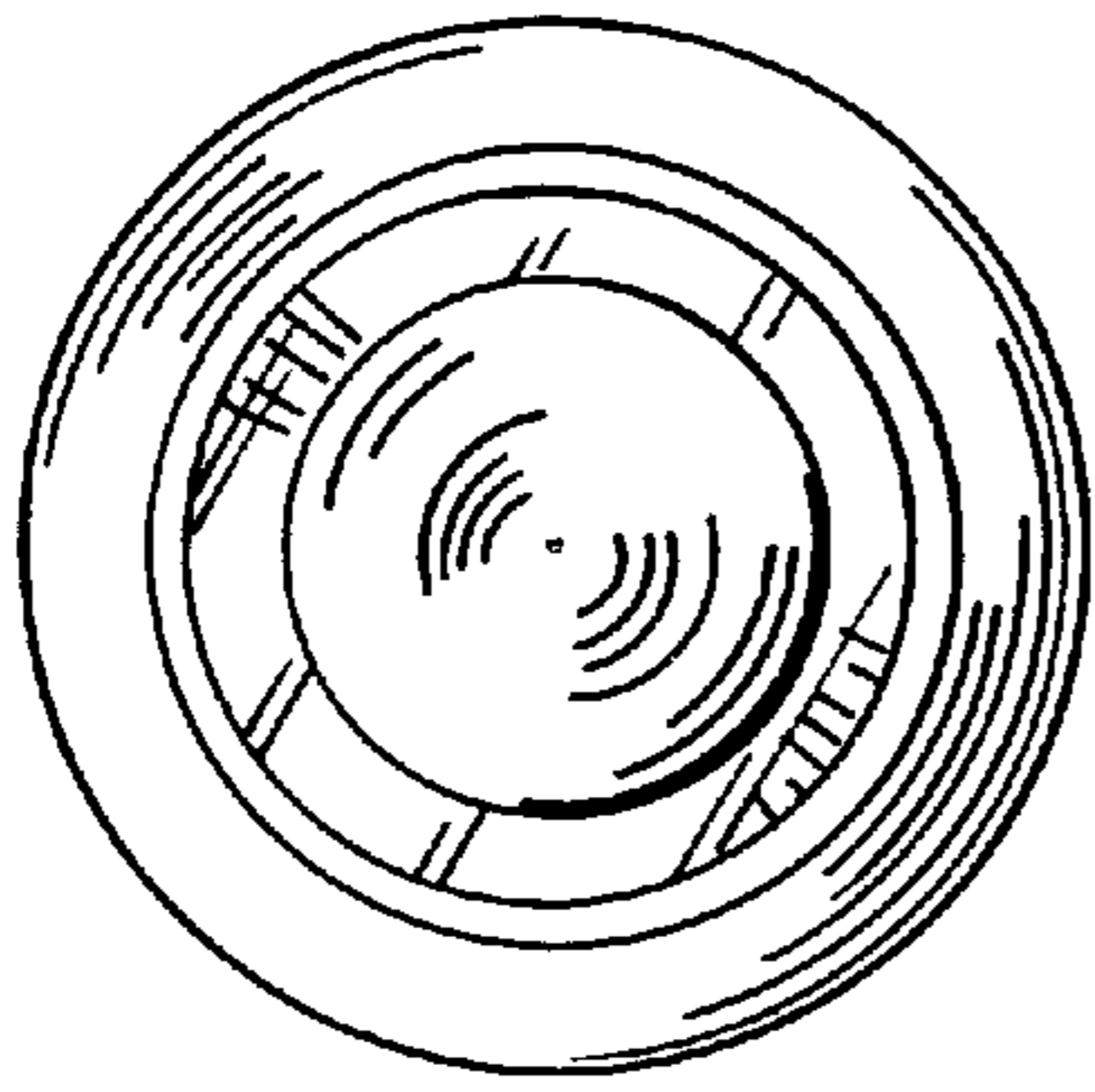


*Fig. 2*

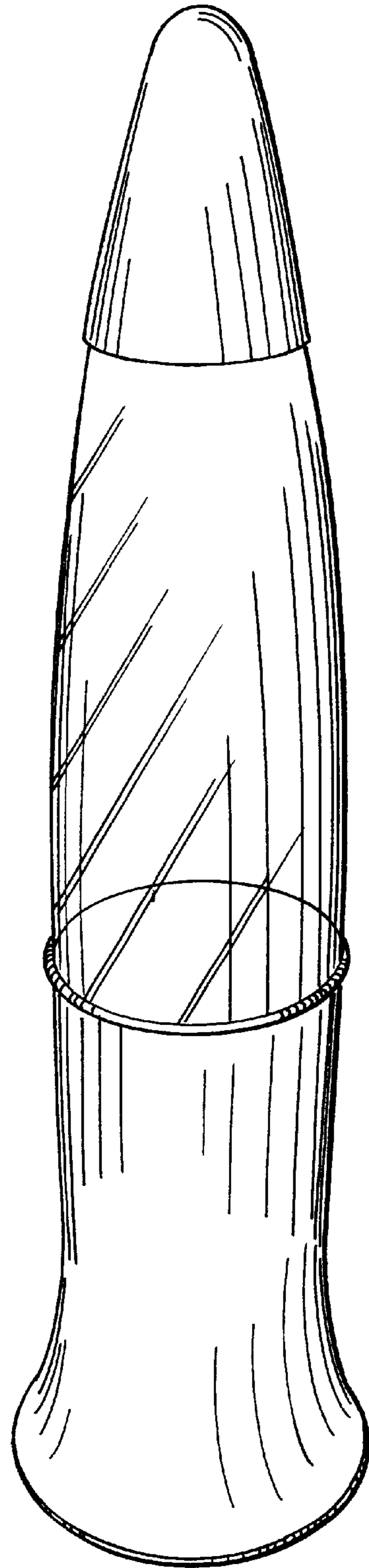


*Fig. 1*





*Fig. 4*



*Fig. 5*