



US00D450874B1

(12) **United States Design Patent**
Heiny et al.

(10) **Patent No.:** **US D450,874 S**

(45) **Date of Patent:** **** Nov. 20, 2001**

(54) **LIGHT ACCESSORY FOR A DISPLAY UNIT**

(75) Inventors: **Ulrich Heiny; Thorsten Kernchen,**
both of Wolfsburg; **Siegfried Kaupa,**
Braunschweig; **Achim Cirksena,**
Braunschweig; **Stephan Beddig,**
Braunschweig; **Gerd Stoll,**
Rösrath/Hoffnungsthal, all of (DE)

(73) Assignee: **Volkswagen AG,** Wolfsburg (DE)

(**) Term: **14 Years**

(21) Appl. No.: **29/114,292**

(22) Filed: **Nov. 17, 1999**

Related U.S. Application Data

(62) Division of application No. 29/094,196, filed on Sep. 28, 1998.

(30) **Foreign Application Priority Data**

Mar. 26, 1998 (DE) M 98 03 057

(51) **LOC (7) Cl.** **26-03**

(52) **U.S. Cl.** **D26/78; D26/76**

(58) **Field of Search** D6/449, 466, 467,
D6/477, 478, 479, 491, 509, 574; D26/75,
76, 78; 362/217, 219, 225

(56) **References Cited**

U.S. PATENT DOCUMENTS

D. 146,279 * 1/1947 Goddard D6/574

D. 330,090 * 10/1992 Walter et al. D26/76 X
D. 377,990 * 2/1997 Nakano D26/78 X
D. 400,899 * 11/1998 Simms D26/78 X
4,849,864 * 7/1989 Forrest 362/225
5,997,157 * 12/1999 Chen 362/225 X

* cited by examiner

Primary Examiner—Cathron Brooks

(74) *Attorney, Agent, or Firm*—Cohen, Pontani, Lieberman & Pavane

(57) **CLAIM**

The ornamental design for a light accessory for a display unit, as shown and described.

DESCRIPTION

FIG. 1 is a front, bottom and left side perspective view of a light accessory for a display unit, the right side is a mirror image of the left side;

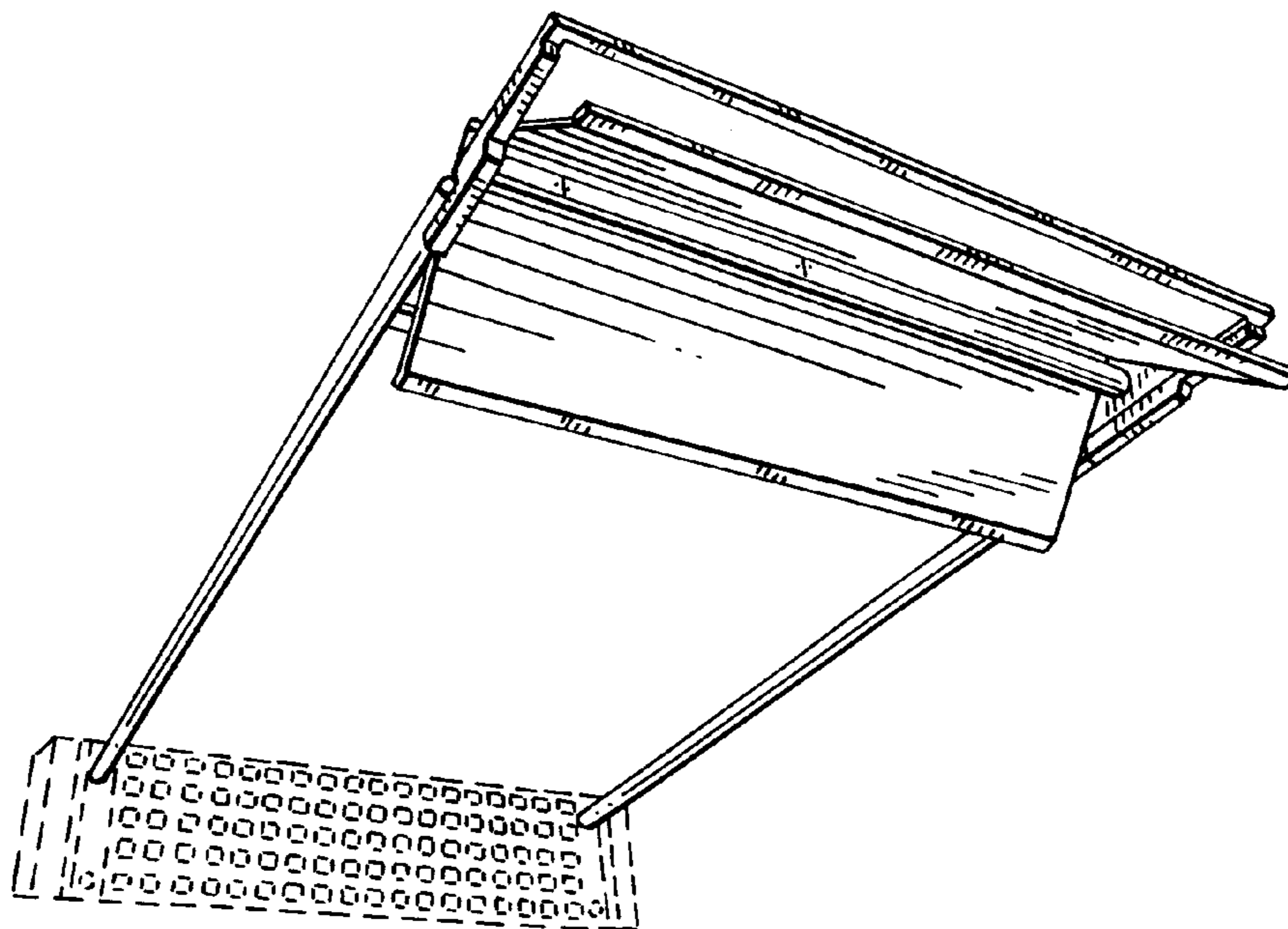
FIG. 2 is a top view of FIG. 1; and,

FIG. 3 is a bottom view of FIG. 1.

The side opposite that shown in FIG. 1 is a mirror image thereof. The surfaces or portions of the article not shown in the drawings or described in the specification form no part of the claimed design.

The broken lines showing a portion of a display unit are for illustrative purposes only and form no part of the claimed design.

1 Claim, 1 Drawing Sheet



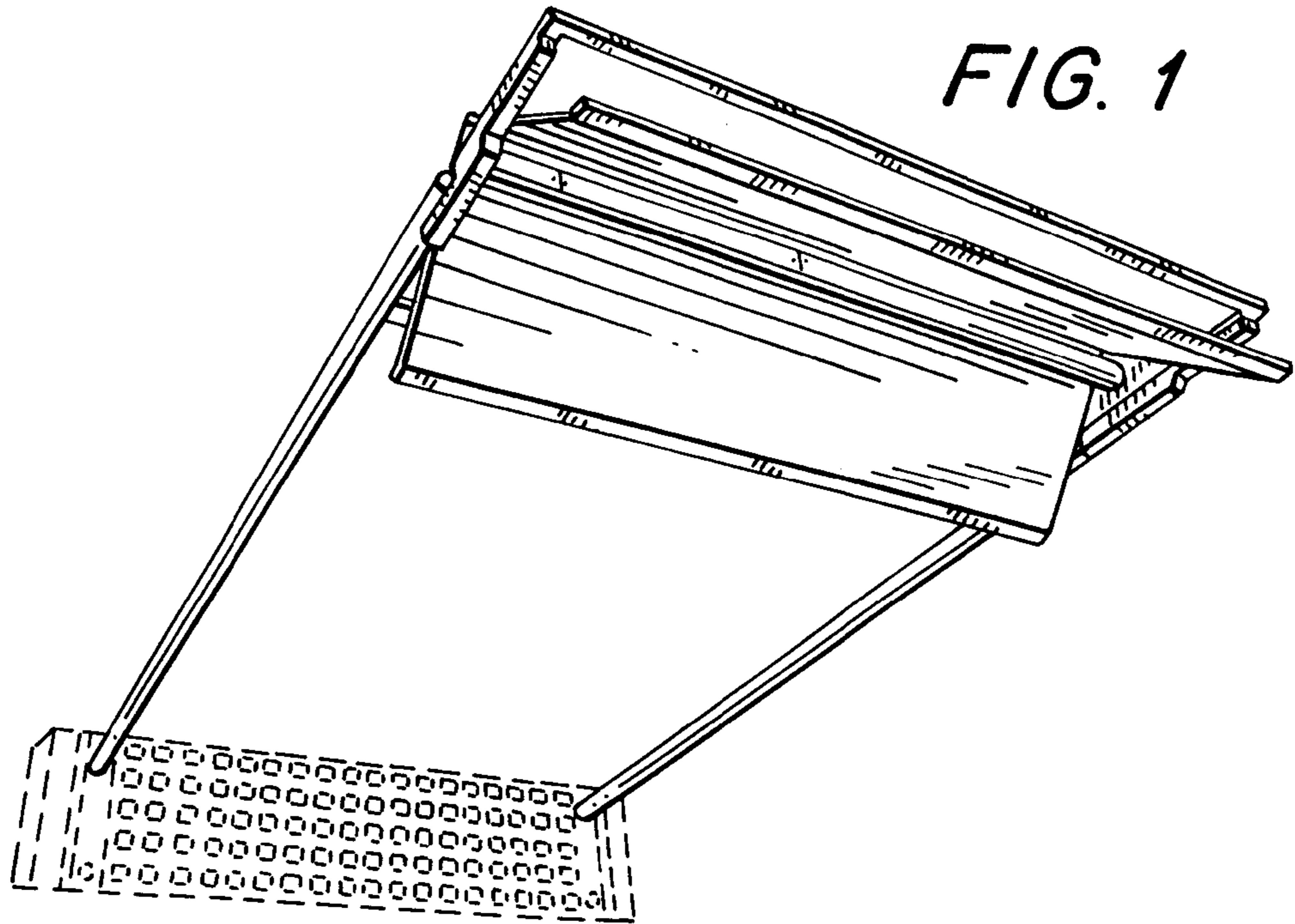


FIG. 2

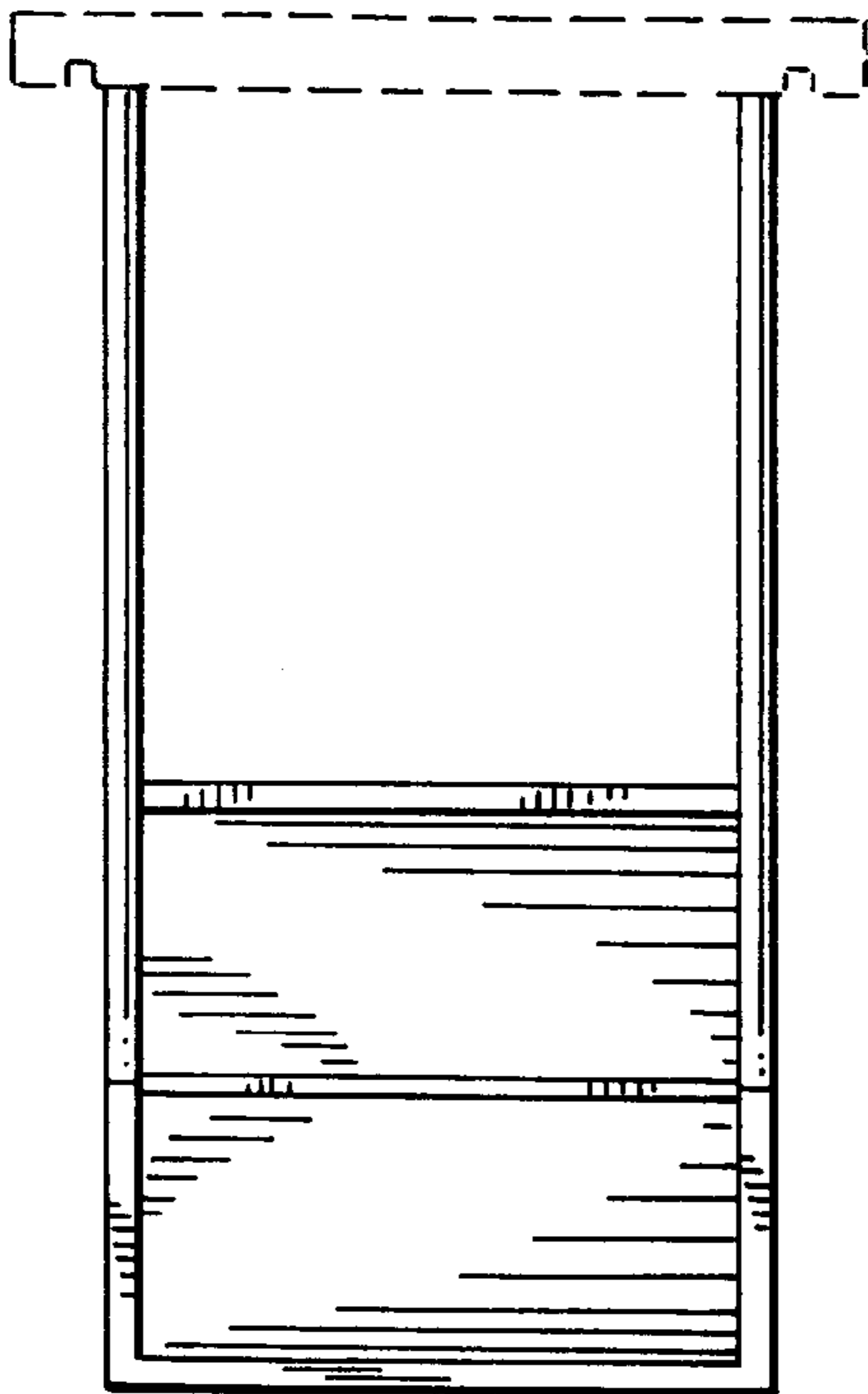


FIG. 3

