



US00D450871B1

(12) **United States Design Patent**
Dair et al.

(10) **Patent No.:** **US D450,871 S**

(45) **Date of Patent:** **** Nov. 20, 2001**

(54) **FLASHLIGHT**

D. 377,105 * 12/1996 Yuen D26/38
D. 422,104 * 3/2000 Yuen D26/49

(75) Inventors: **Thomas M. Dair**, Yorktown Heights;
Goeran Jerstrom, New York; **Marco**
Carroll Perry, Brooklyn; **Steven Hunt**
Vordenberg; **Maximillian Philip**
Burton, both of New York, all of NY
(US)

* cited by examiner

Primary Examiner—Susan J. Lucas
(74) *Attorney, Agent, or Firm*—Barry D. Josephs; Paul I.
Douglas; Thomas G. Krivulka

(73) Assignee: **The Gillette Company**, Boston, MA
(US)

(57) **CLAIM**

The ornamental design for the flashlight, as shown and
described.

(**) Term: **14 Years**

DESCRIPTION

(21) Appl. No.: **29/136,684**

FIG. 1 is a top perspective view of the flashlight of the
invention;

(22) Filed: **Feb. 6, 2001**

FIG. 2 is a top plan view of FIG. 1;

(51) **LOC (7) Cl.** **26-02**

FIG. 3 is a right side elevation view of FIG. 1; the opposite
side being a mirror image;

(52) **U.S. Cl.** **D26/49**

(58) **Field of Search** D26/37-50; 362/157-183

FIG. 4 is a rear plan view of FIG. 1;

(56) **References Cited**

FIG. 5 is a front end view of FIG. 1; and,

FIG. 6 is back end view of FIG. 1.

U.S. PATENT DOCUMENTS

D. 353,216 * 12/1994 Sharrah D26/37

1 Claim, 3 Drawing Sheets

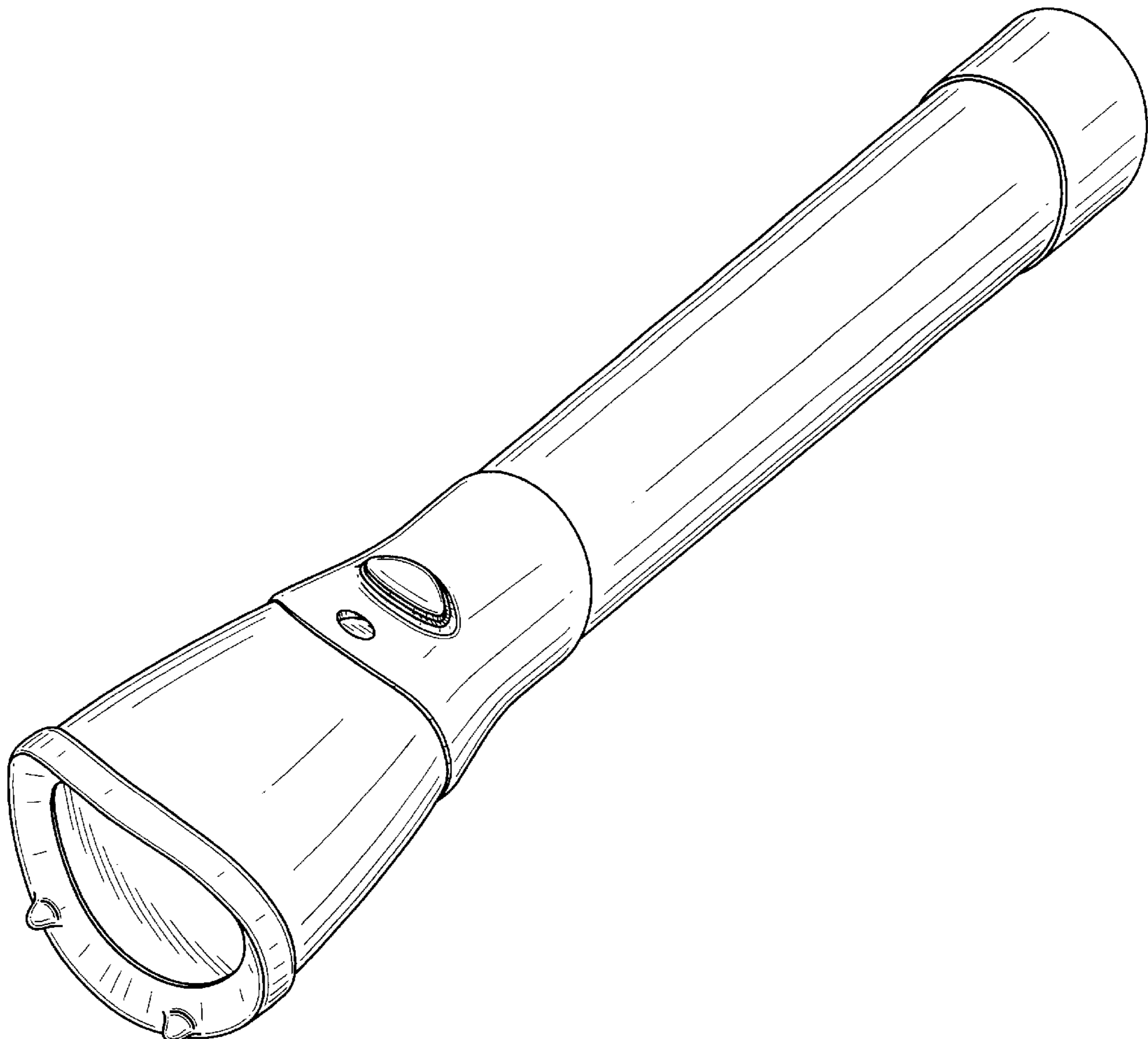


FIG. 1

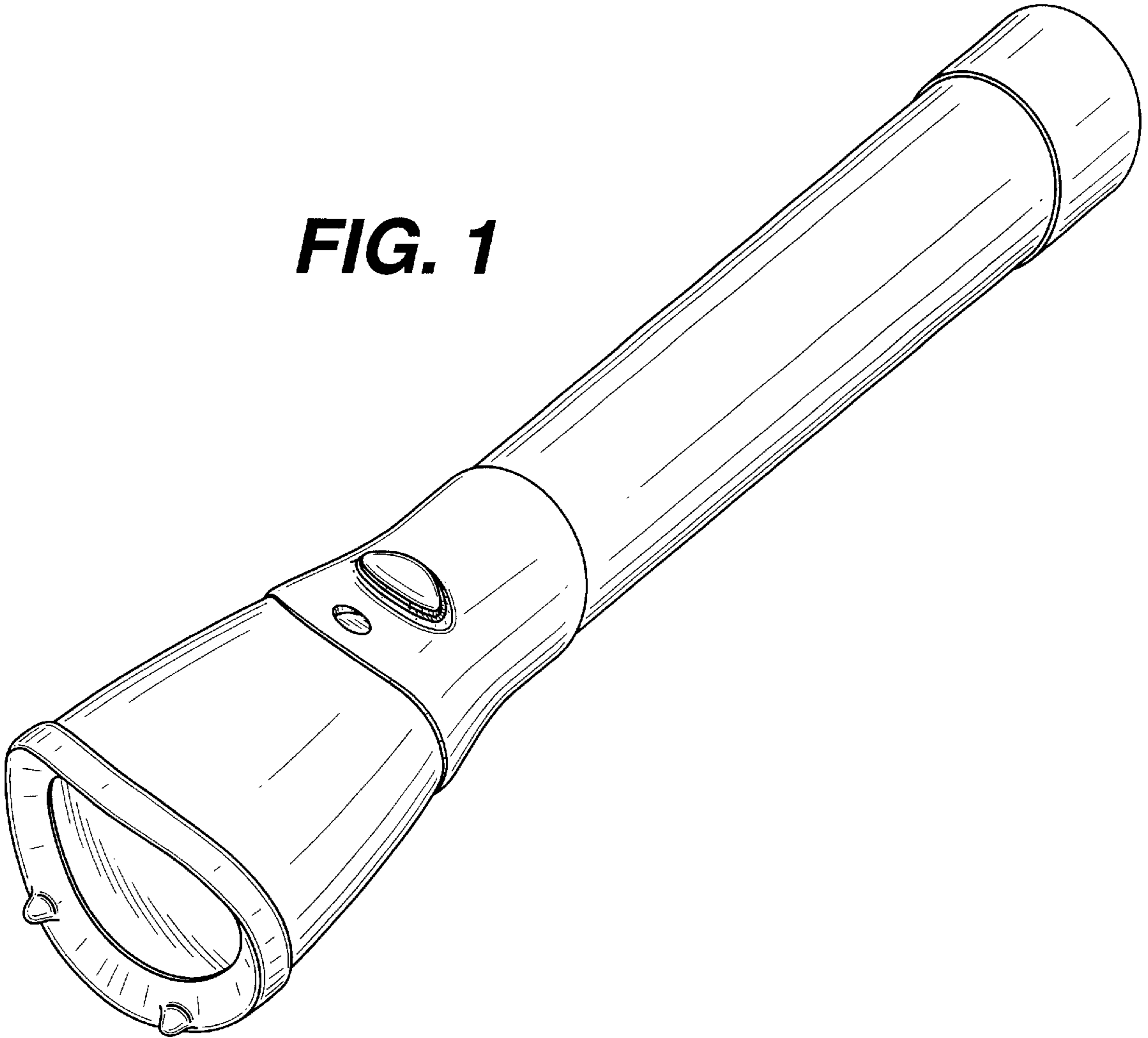


FIG. 2

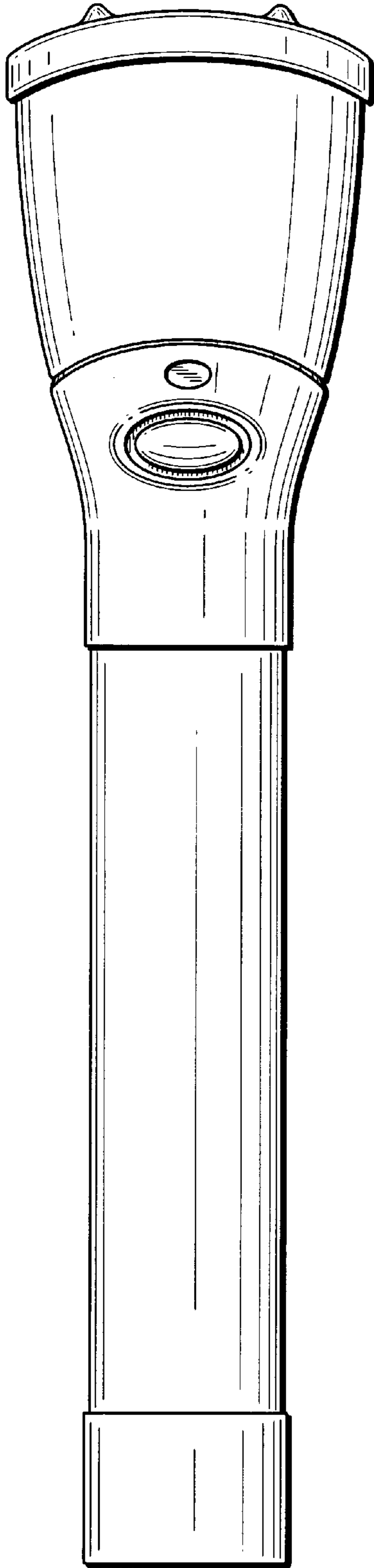


FIG. 3

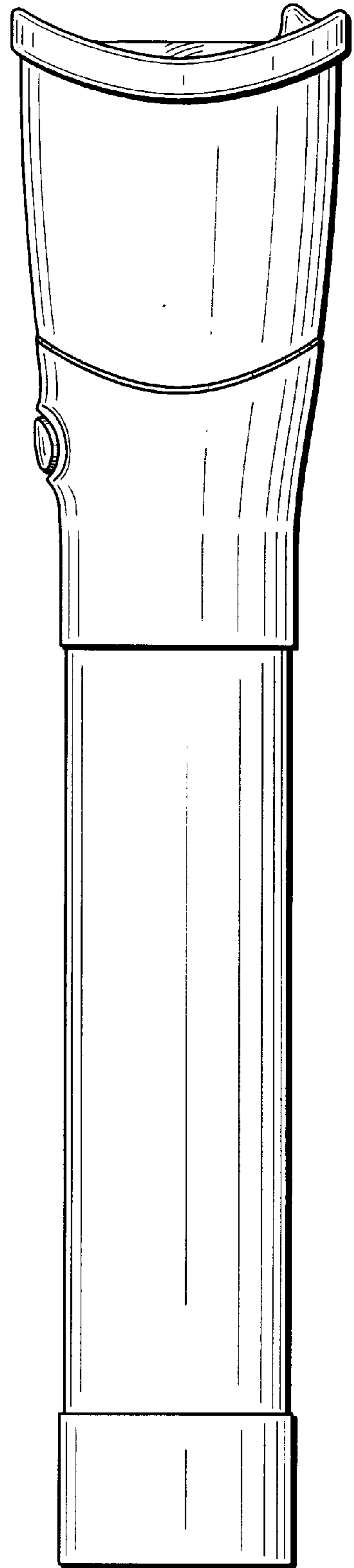


FIG. 4

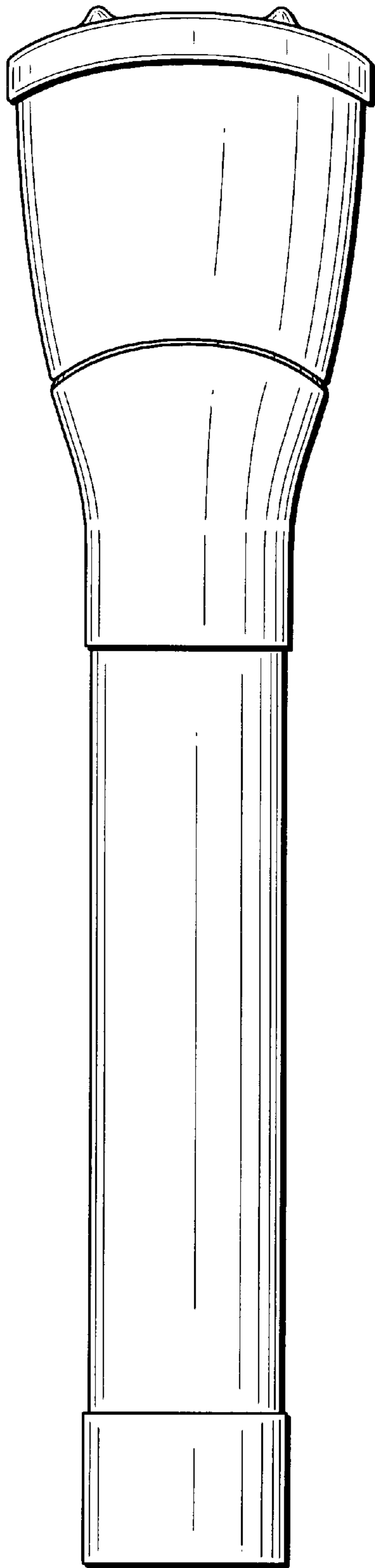


FIG. 5

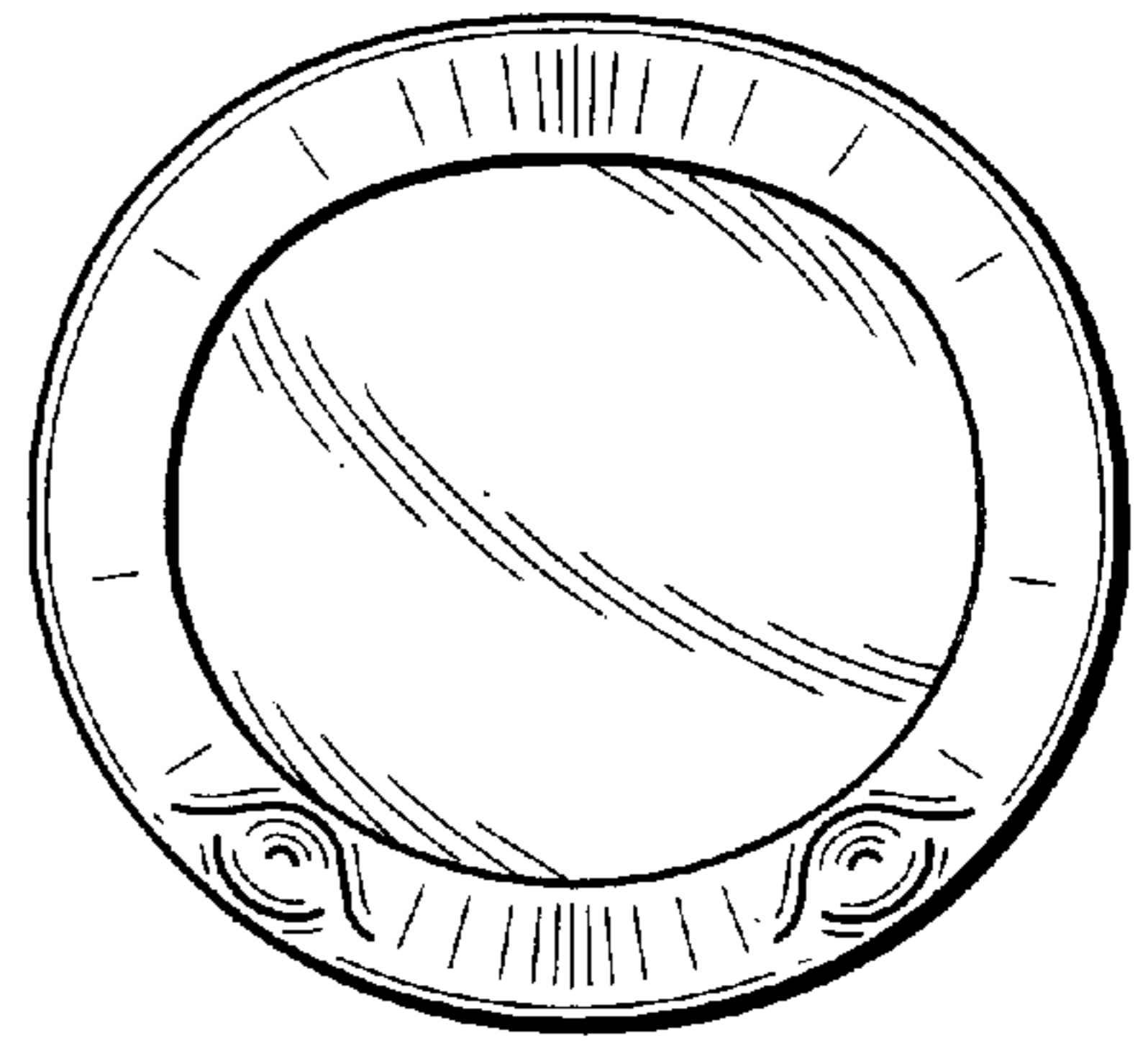


FIG. 6

