



US00D450868B1

(12) **United States Design Patent**
Maximilian-Yee

(10) **Patent No.:** **US D450,868 S**

(45) **Date of Patent:** **** Nov. 20, 2001**

(54) **FLASHLIGHT**

(76) Inventor: **Vincent Maximilian-Yee**, 14122
Marquesas Way, Suite D4, Venice, CA
(US) 90292

(**) Term: **14 Years**

(21) Appl. No.: **29/112,858**

(22) Filed: **Oct. 22, 1999**

(51) **LOC (7) Cl.** **26-02**

(52) **U.S. Cl.** **D26/49**

(58) **Field of Search** D26/37-50; 362/157,
362/158, 183-208

(56) **References Cited**

U.S. PATENT DOCUMENTS

D. 371,214	*	6/1996	Terry, Jr.	D26/49
D. 413,401	*	8/1999	McDonald et al.	D26/49
D. 449,254	*	1/2000	Chu	D26/49
3,079,492	*	2/1963	Bolinger	D26/49

* cited by examiner

Primary Examiner—Marcus A. Jackson

(57) **CLAIM**

The ornamental design for a flashlight, as shown and described.

DESCRIPTION

FIG. 1 is a top, front, right side perspective view;

FIG. 2 is a front view;

FIG. 3 is a rear view;

FIG. 4 is a top view;

FIG. 5 is a right side view;

FIG. 6 is a left side view;

FIG. 7 is a bottom view;

FIG. 8 is a top, front, right side perspective view with head assembly rotated 90 degrees counterclock wise;

FIG. 9 is a top, front, right side perspective view with head assembly rotated 180 degrees counterclock wise;

FIG. 10 is a top, front, right side perspective view with head assembly rotated 270 degrees counterclock wise;

FIG. 11 is a top, front right side perspective view with suction-cup attachment device extended;

FIG. 12 is a top, rear, left side perspective view with suction-cup attachment device extended;

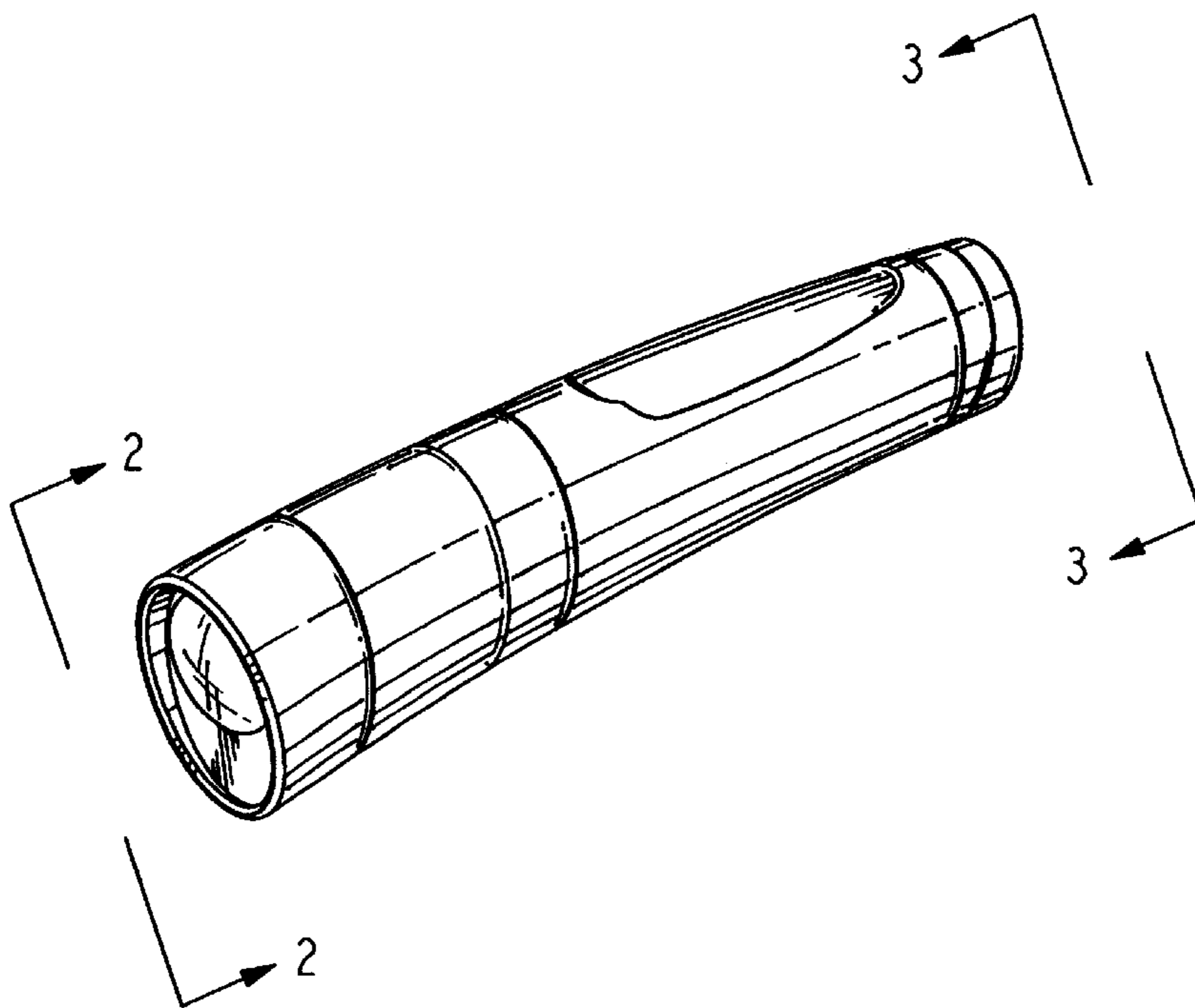
FIG. 13 is a rear view with suction-cup attachment device extended;

FIG. 14 is a top, front, right perspective view with stabilizer extended;

FIG. 15 is a top, rear, left side perspective view with stabilizer extended; and,

FIG. 16 is a rear view with stabilizer extended.

1 Claim, 5 Drawing Sheets



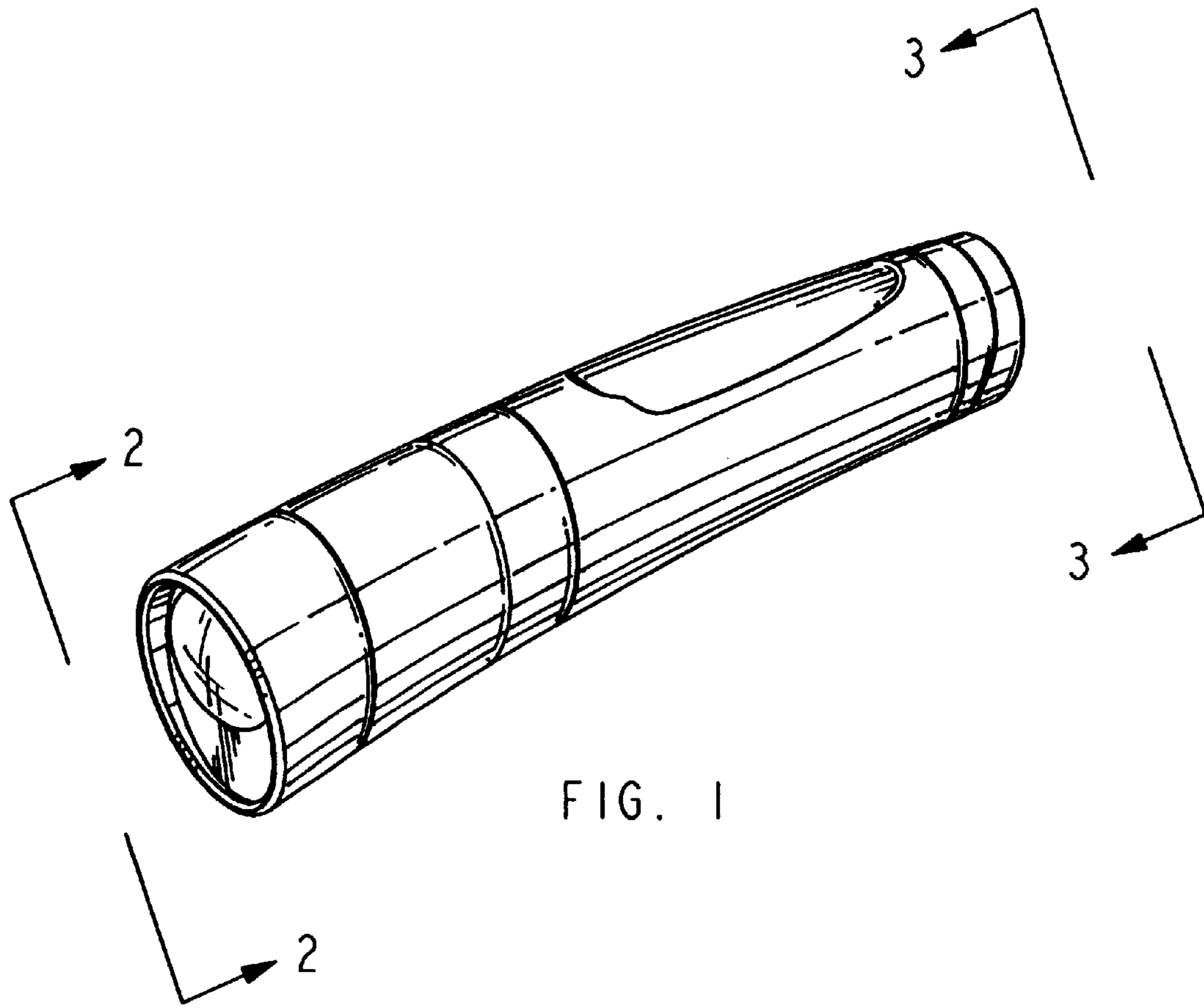


FIG. 1

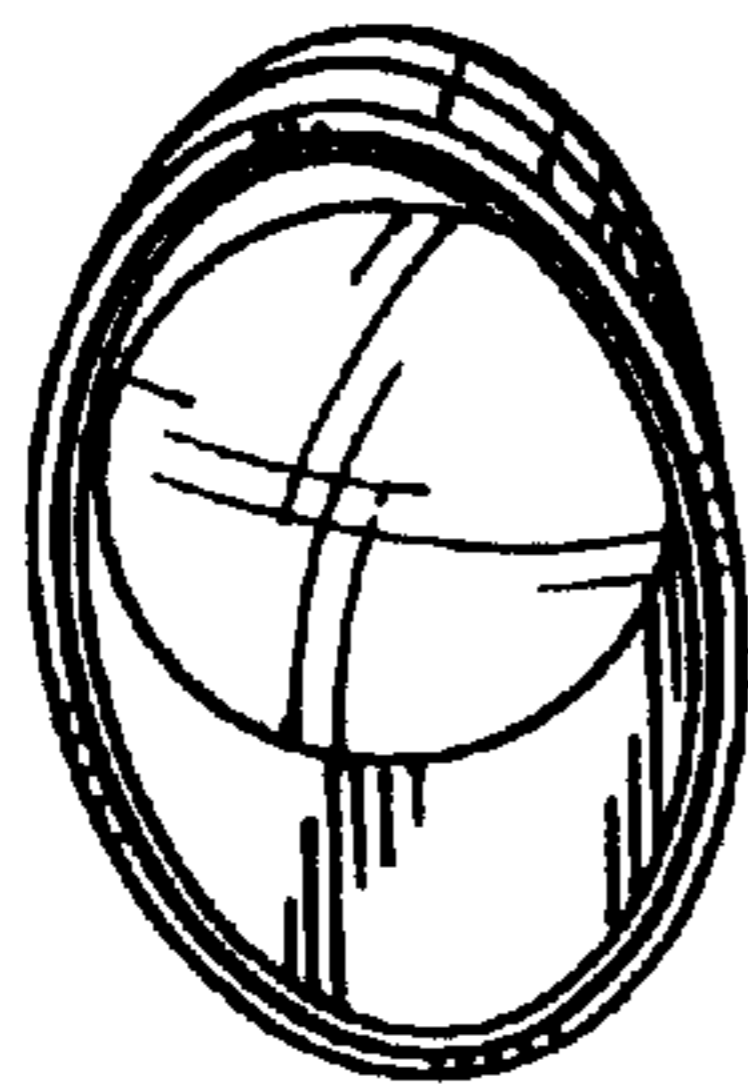


FIG. 2

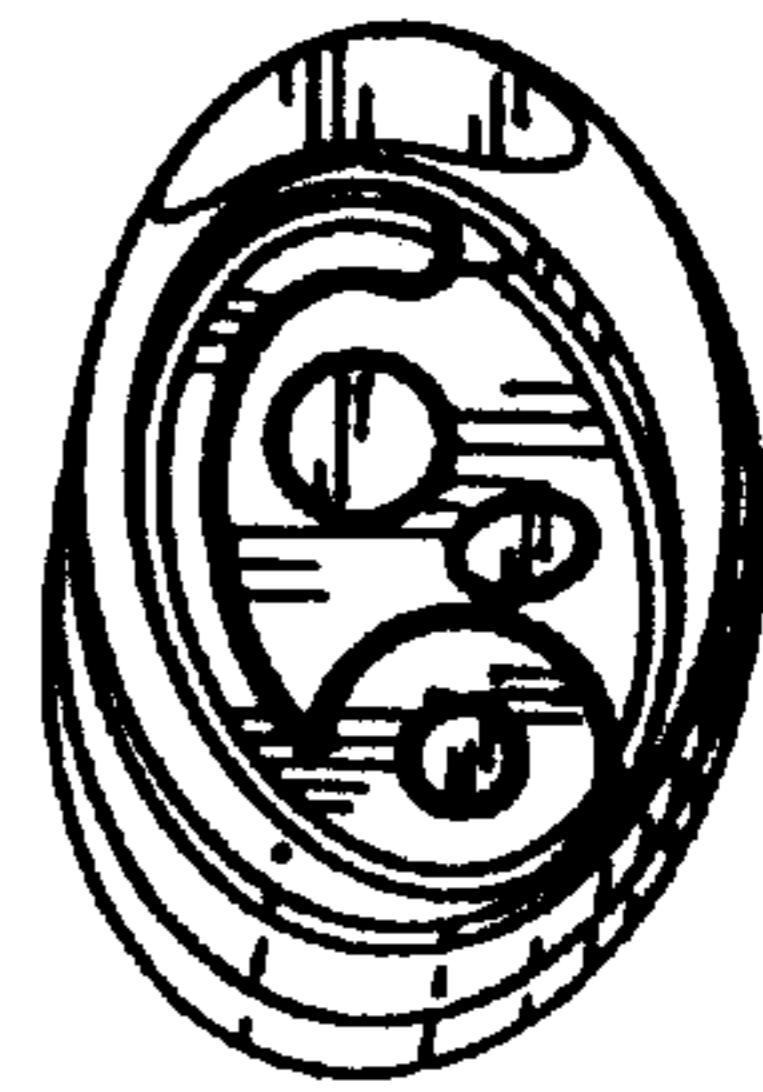


FIG. 3

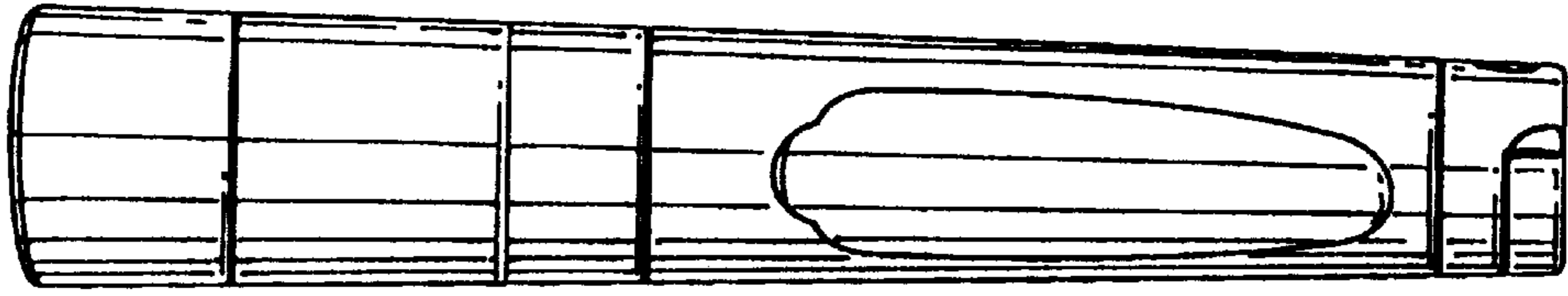


FIG. 4

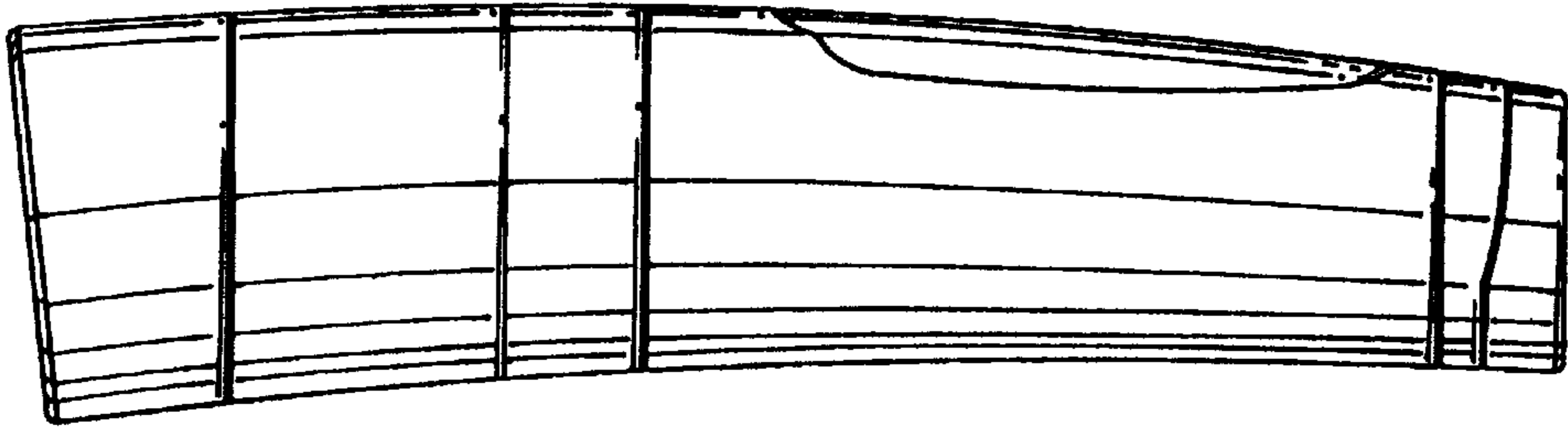


FIG. 5

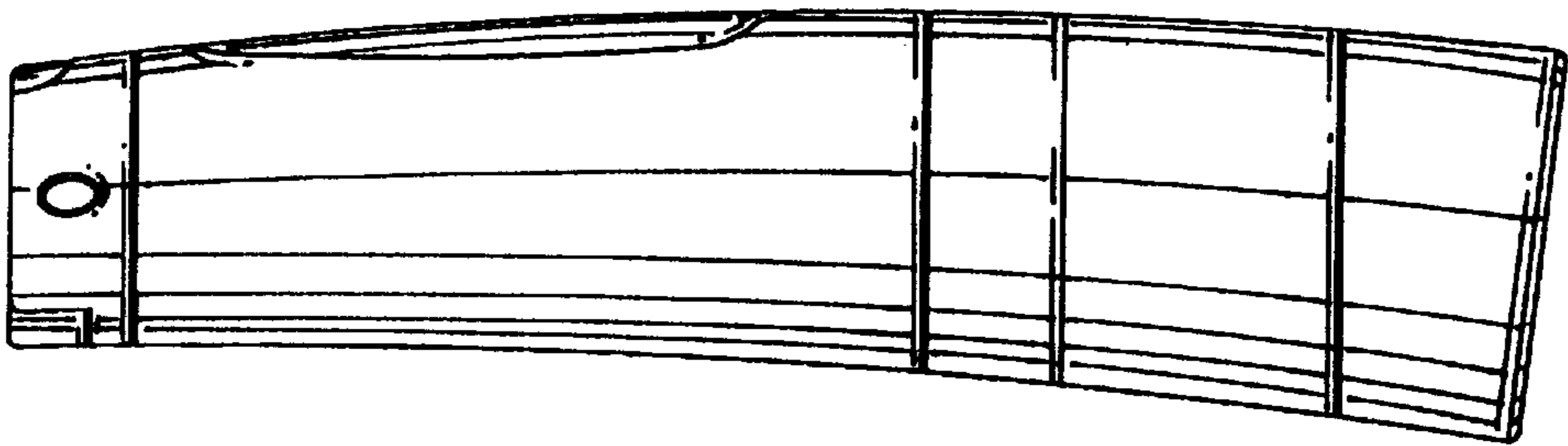


FIG. 6

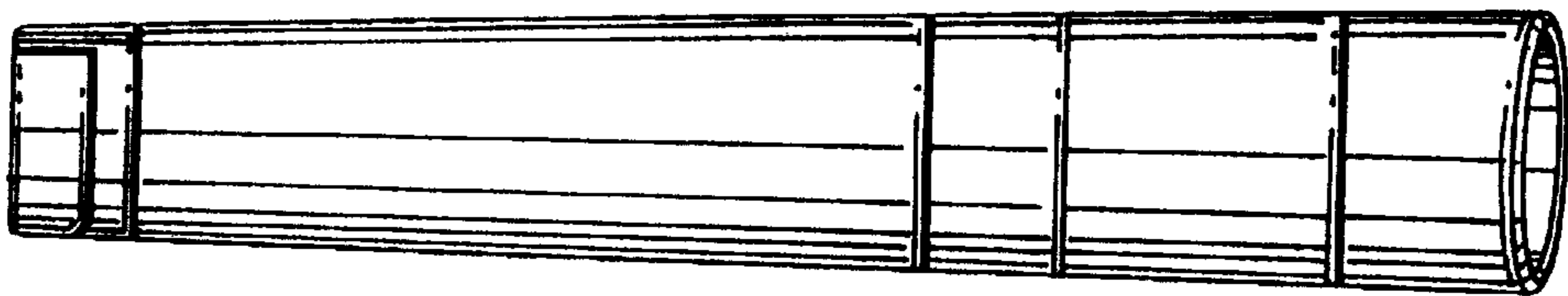


FIG. 7

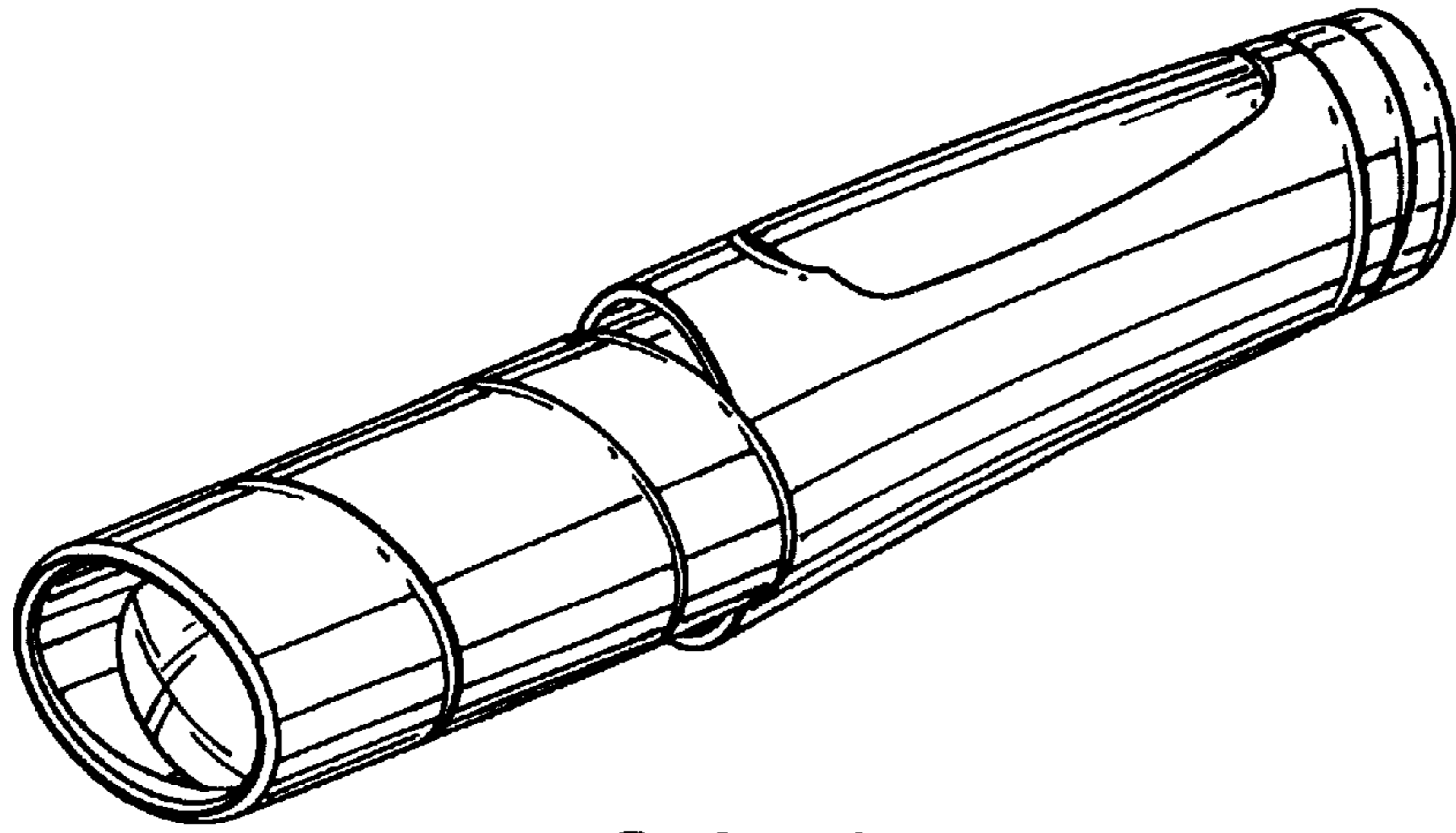


FIG. 8

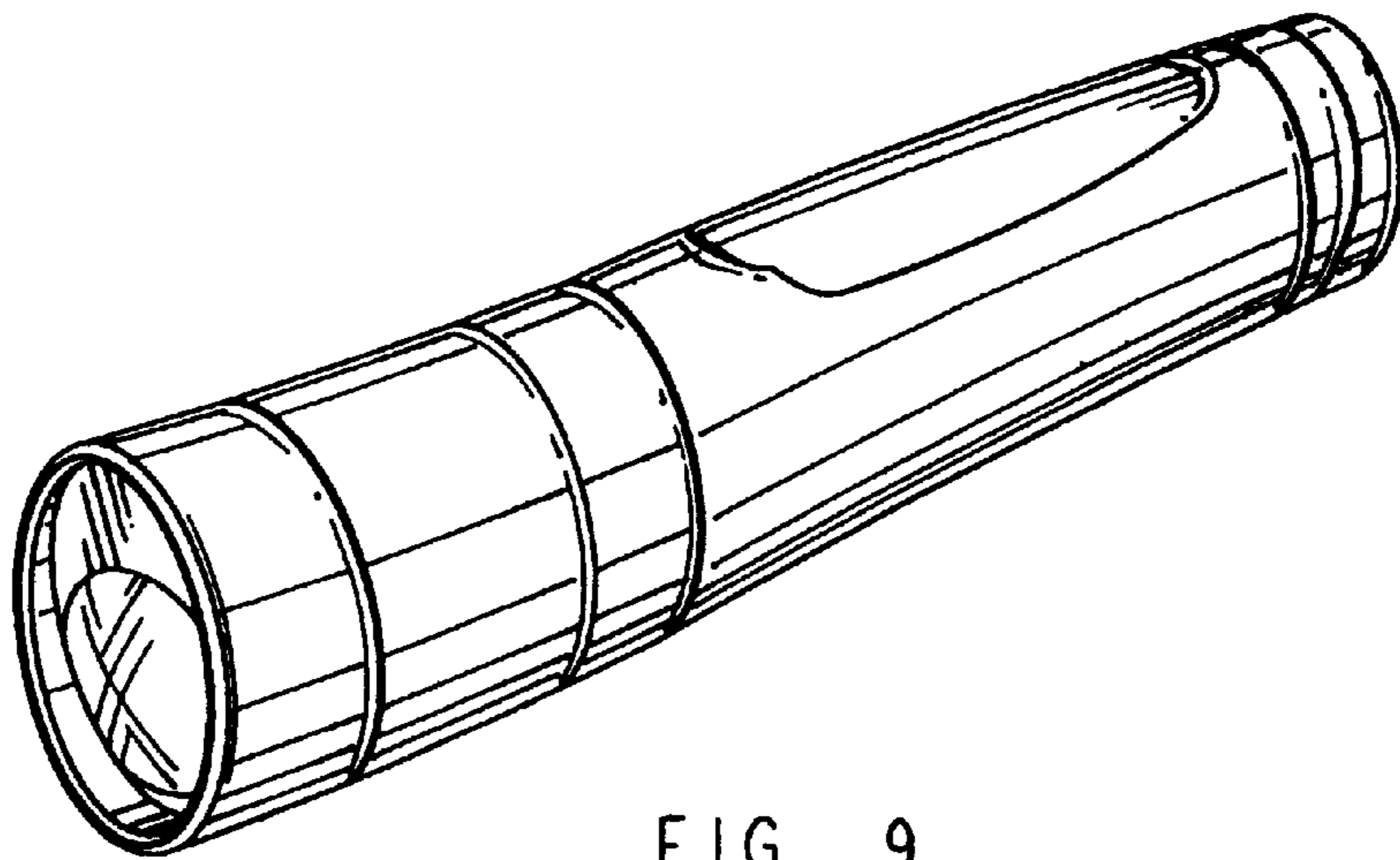


FIG. 9

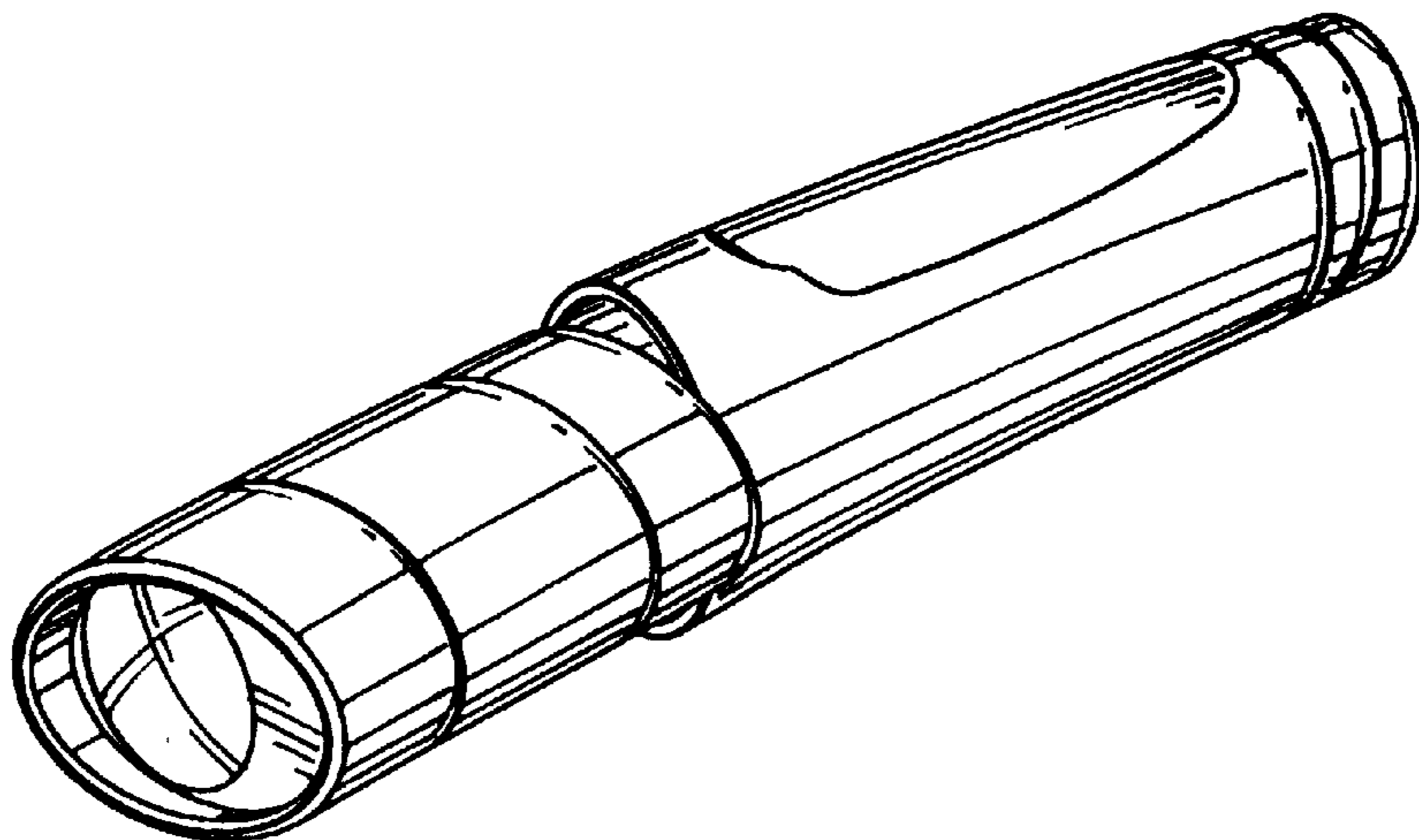


FIG. 10

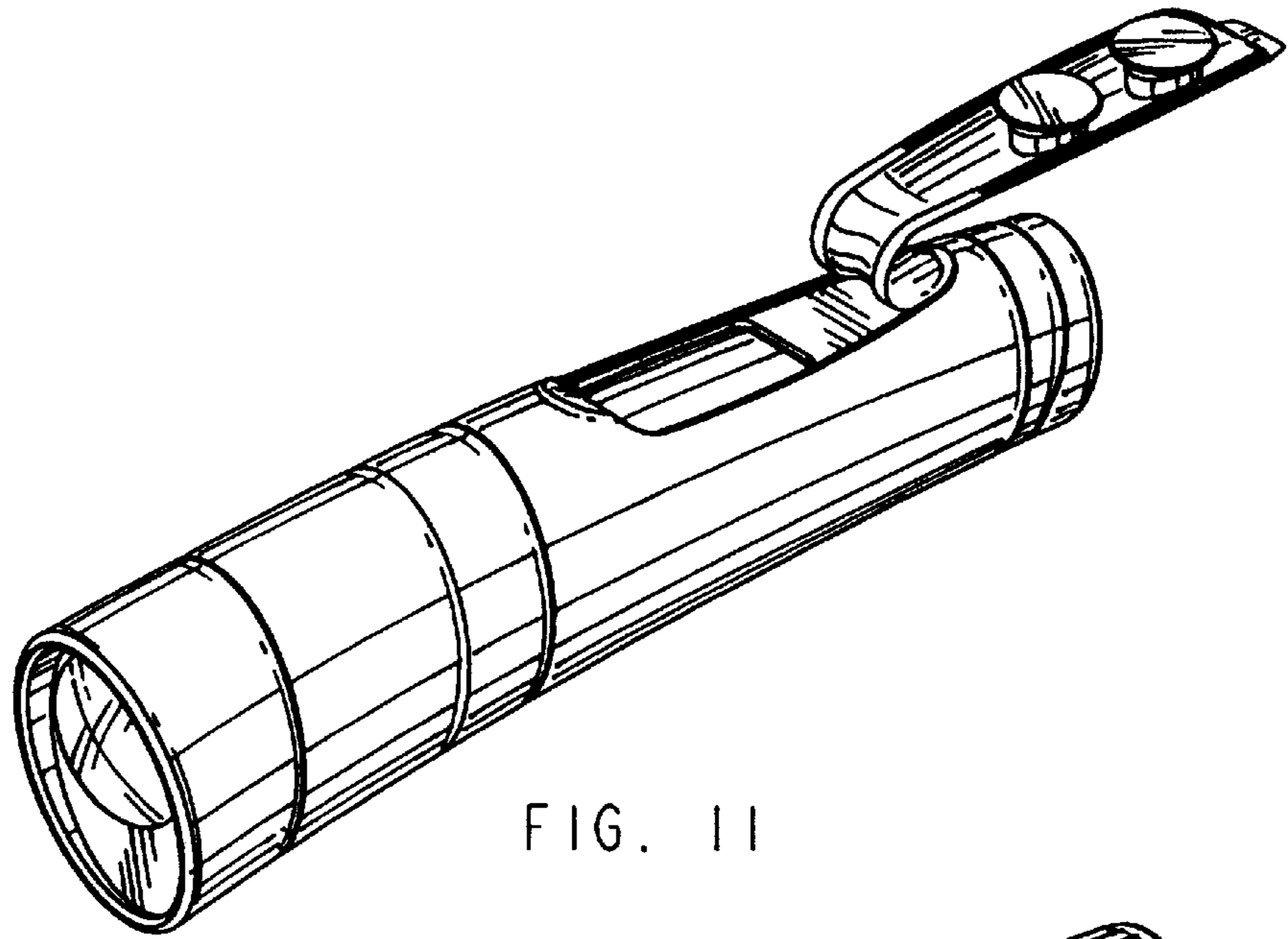


FIG. 11

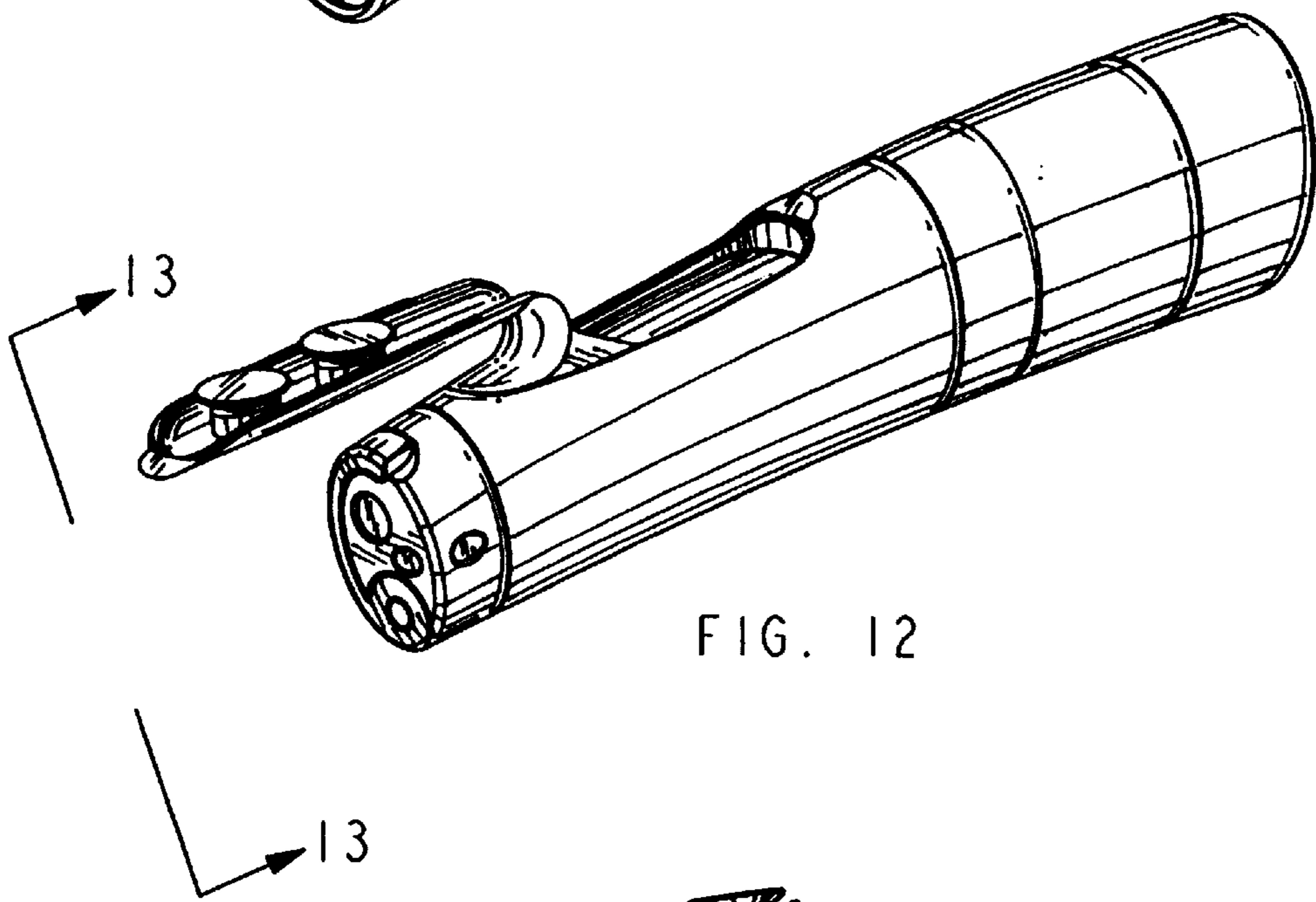


FIG. 12

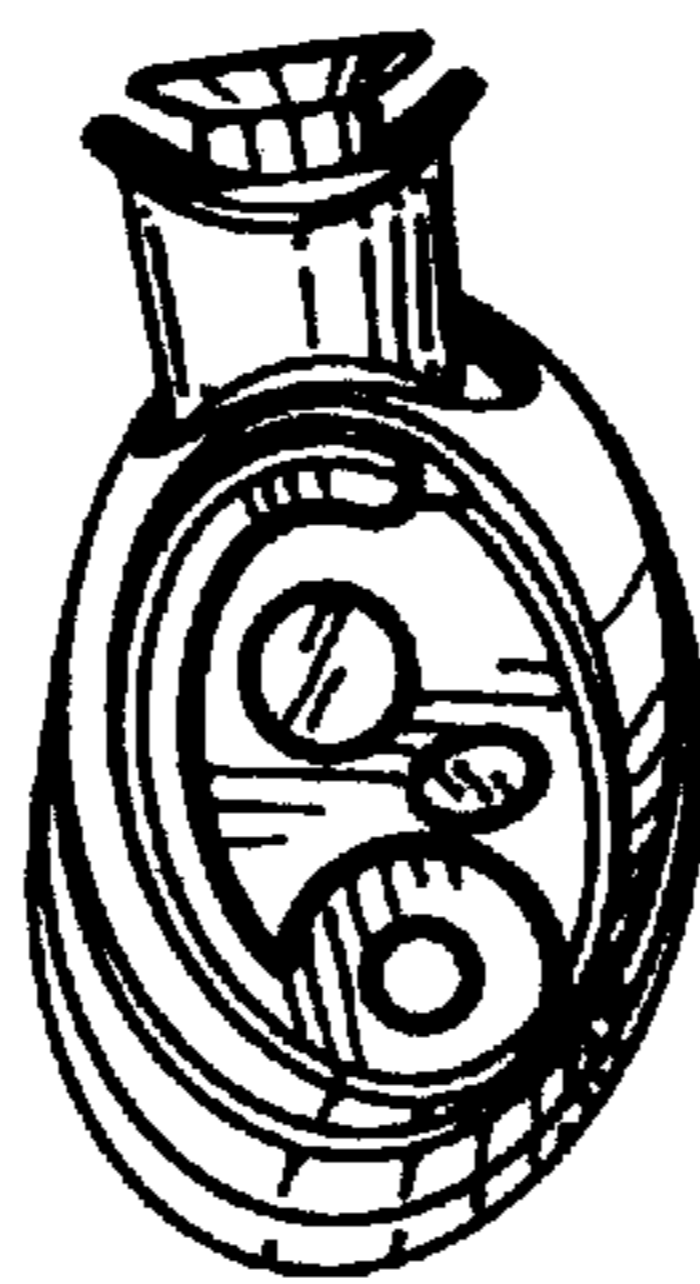


FIG. 13

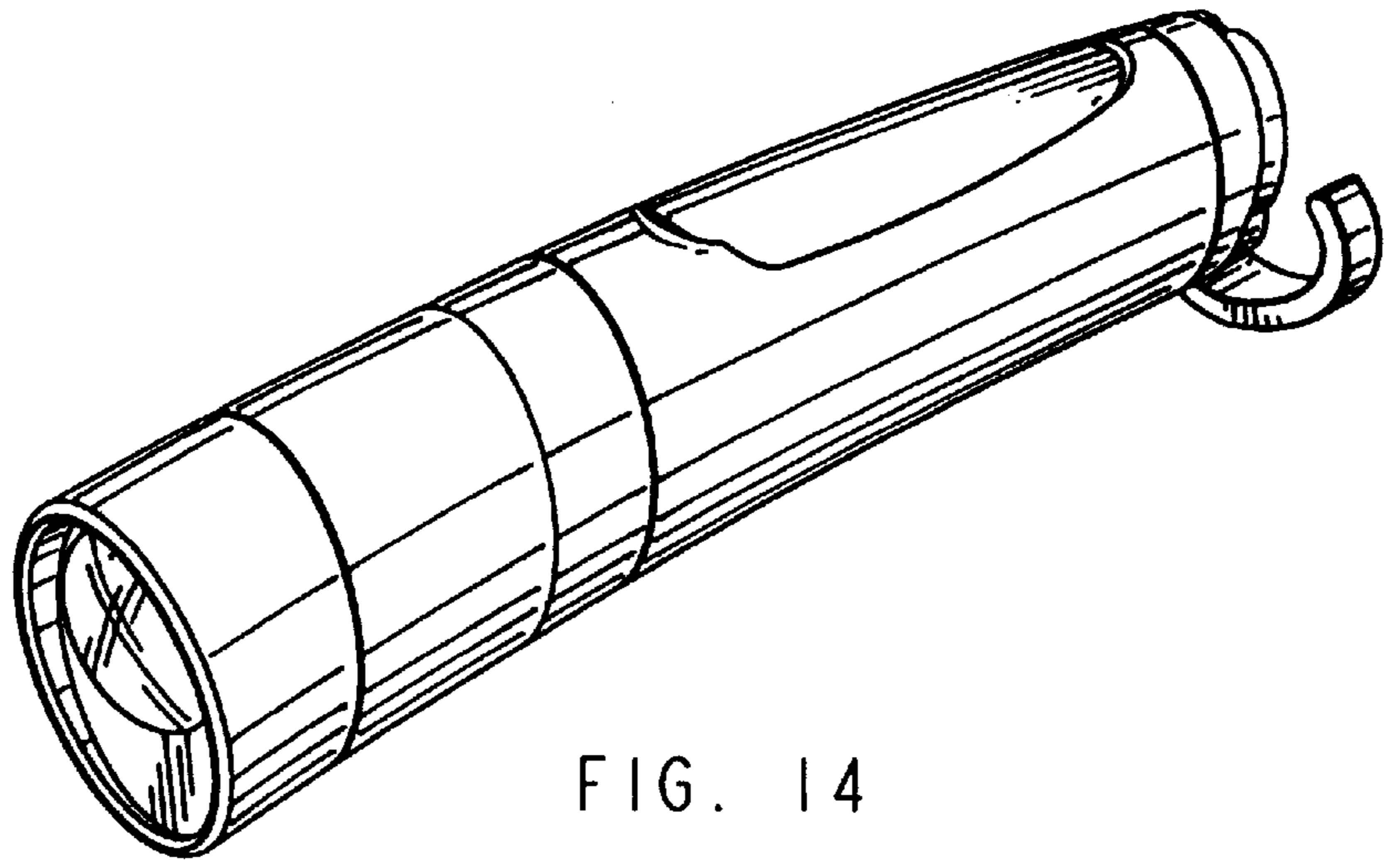


FIG. 14

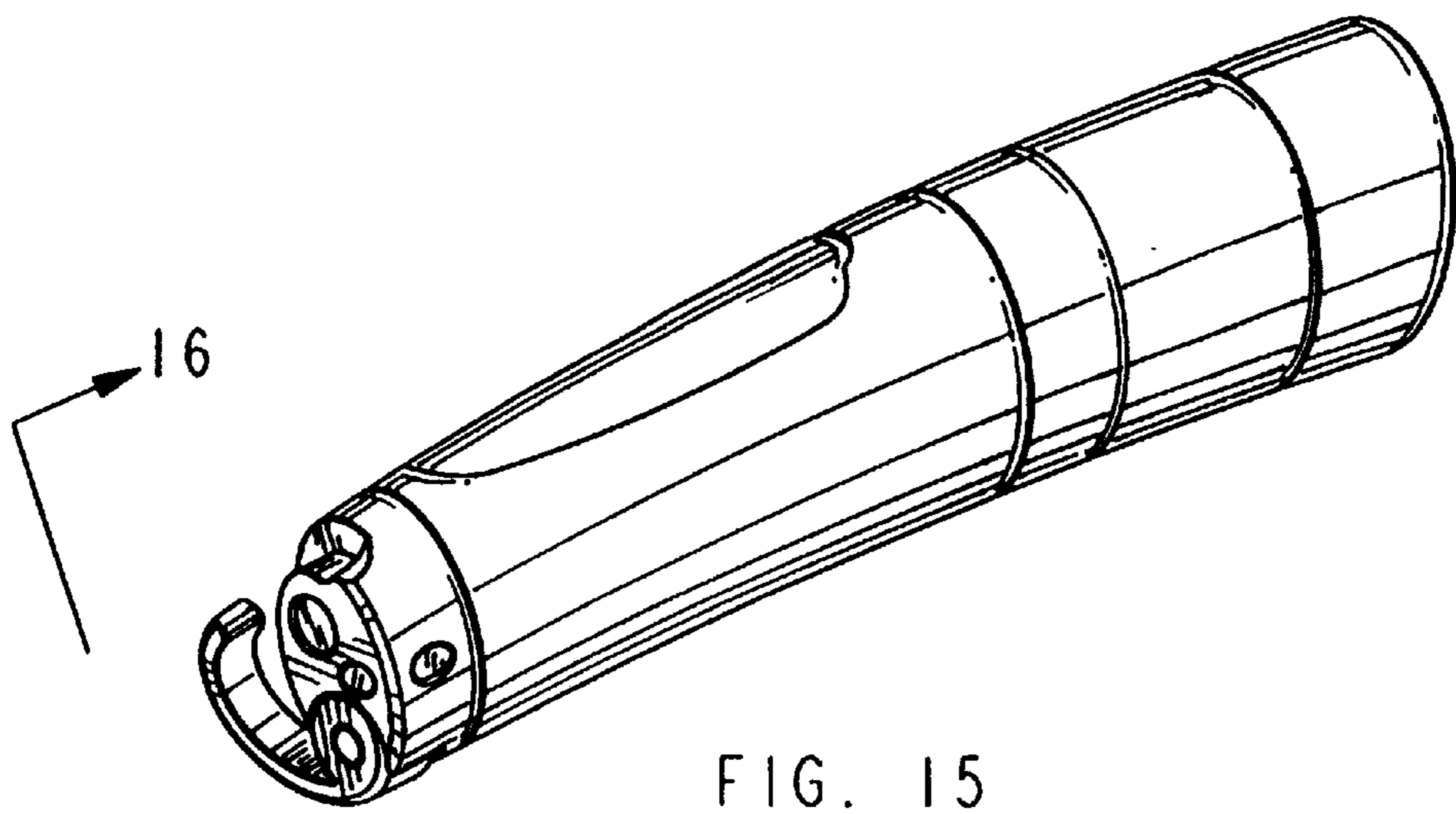


FIG. 15

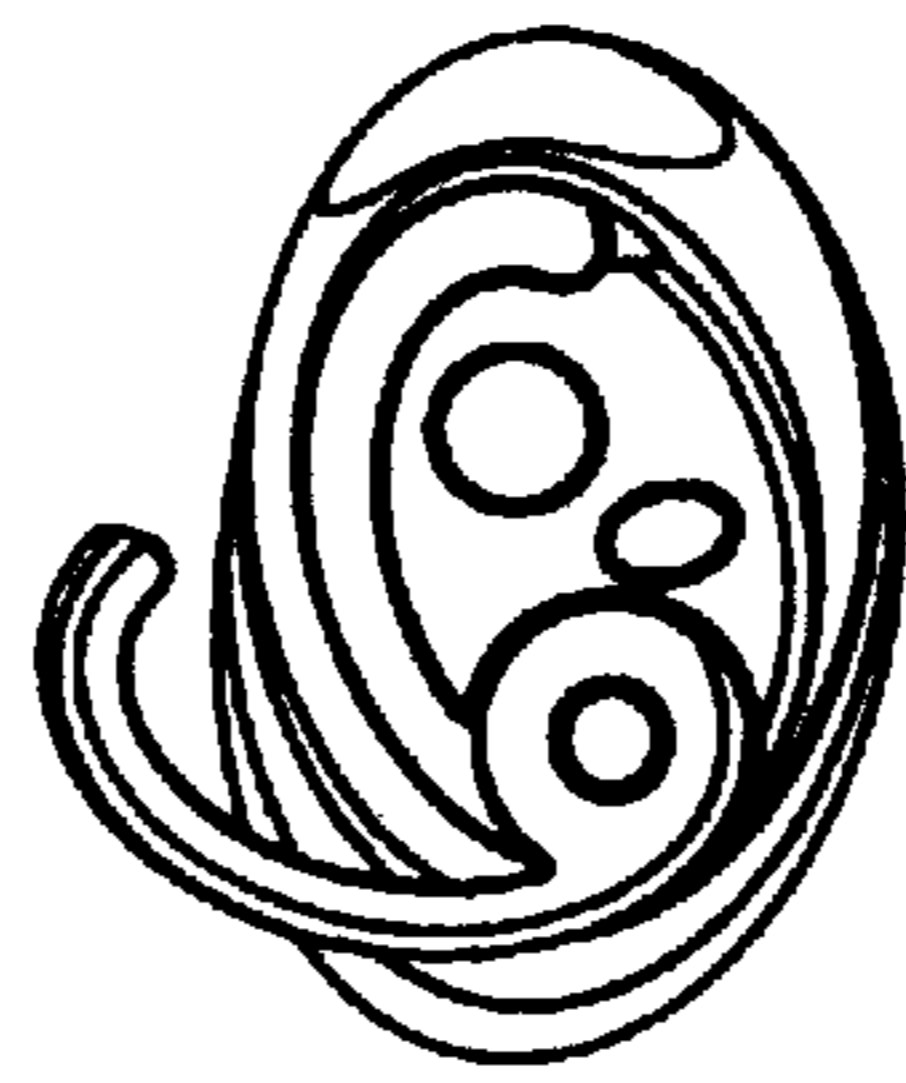
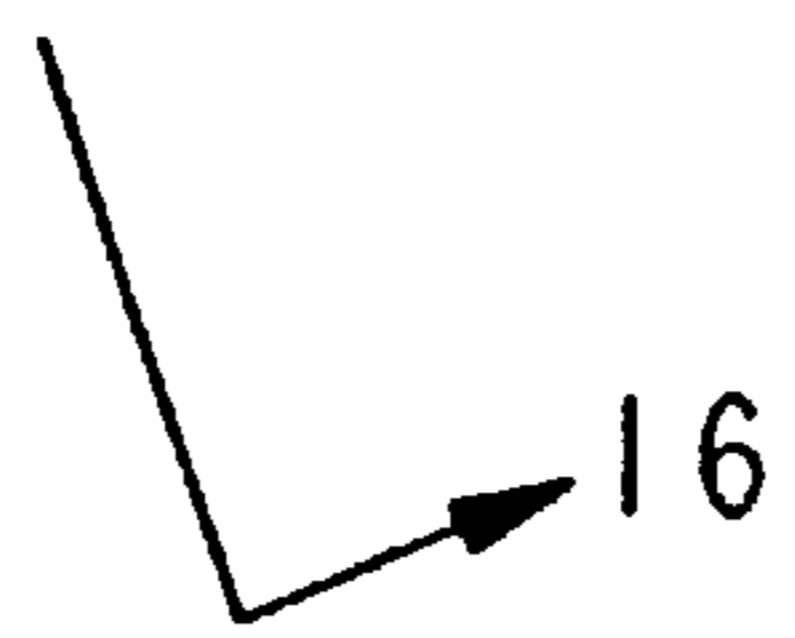


FIG. 16