



US00D450867B1

(12) **United States Design Patent**
Long et al.

(10) **Patent No.:** **US D450,867 S**

(45) **Date of Patent:** **** Nov. 20, 2001**

(54) **CAMPING LANTERN**

(75) **Inventors:** **Norris Richard Long**, Wichita; **Gary P. Israel**; **Mitchell L. Wilgus**, both of Andover, all of KS (US); **John F. Marshall**, Provo, UT (US)

(73) **Assignee:** **The Coleman Company, Inc.**, Wichita, KS (US)

(**) **Term:** **14 Years**

(21) **Appl. No.:** **29/138,260**

(22) **Filed:** **Mar. 9, 2001**

(51) **LOC (7) Cl.** **26-02**

(52) **U.S. Cl.** **D26/37**

(58) **Field of Search** D26/37-50; 362/157, 362/162, 171, 178, 187, 189, 190, 191, 194, 195, 196, 197, 198, 199, 200, 202, 203, 205, 206

(56) **References Cited**

U.S. PATENT DOCUMENTS

- D. 343,242 * 1/1994 Poon D26/42
- D. 374,098 * 9/1996 Lo D26/37
- D. 382,358 * 8/1997 Poon D26/42

- D. 392,061 * 3/1998 Lo D26/42
- D. 414,886 * 10/1999 Lo D26/42
- D. 440,677 * 4/2001 Long et al. D26/40

* cited by examiner

Primary Examiner—Susan J. Lucas

(74) *Attorney, Agent, or Firm*—Kramer, Levin, Naftalis & Frankel LLP

(57) **CLAIM**

The ornamental design for a camping lantern, as shown and described.

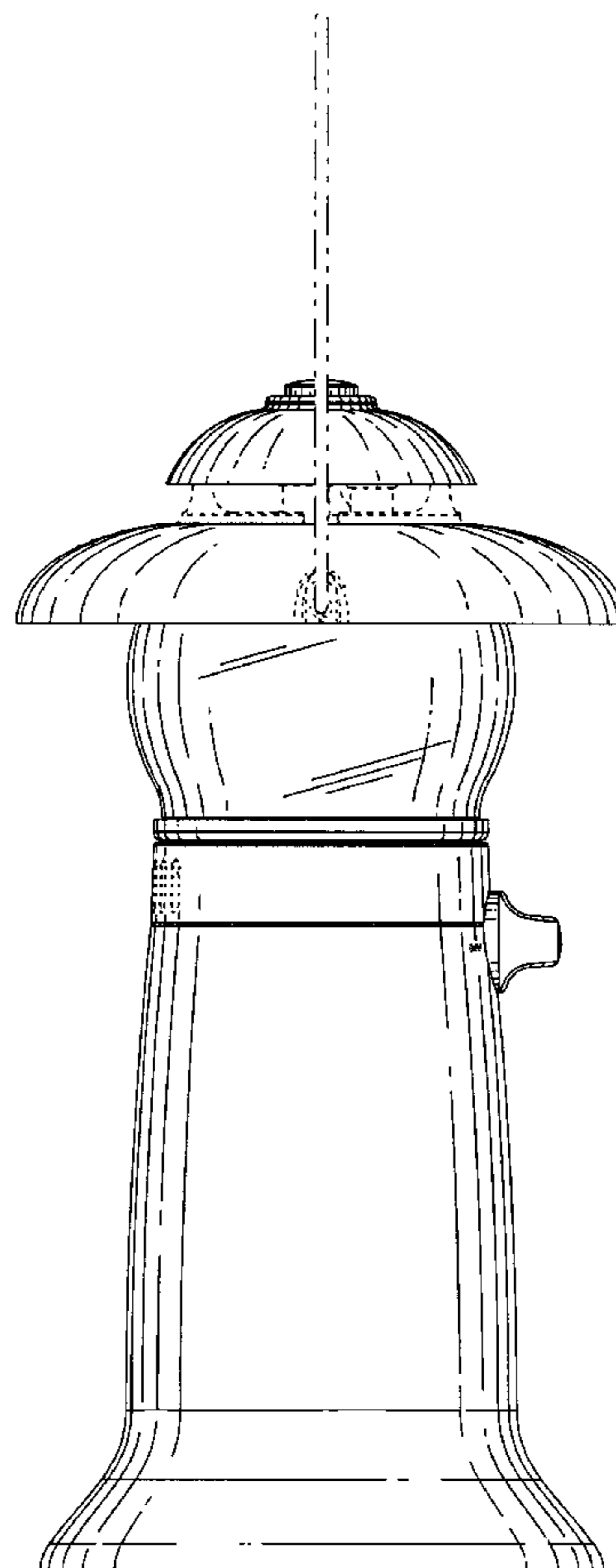
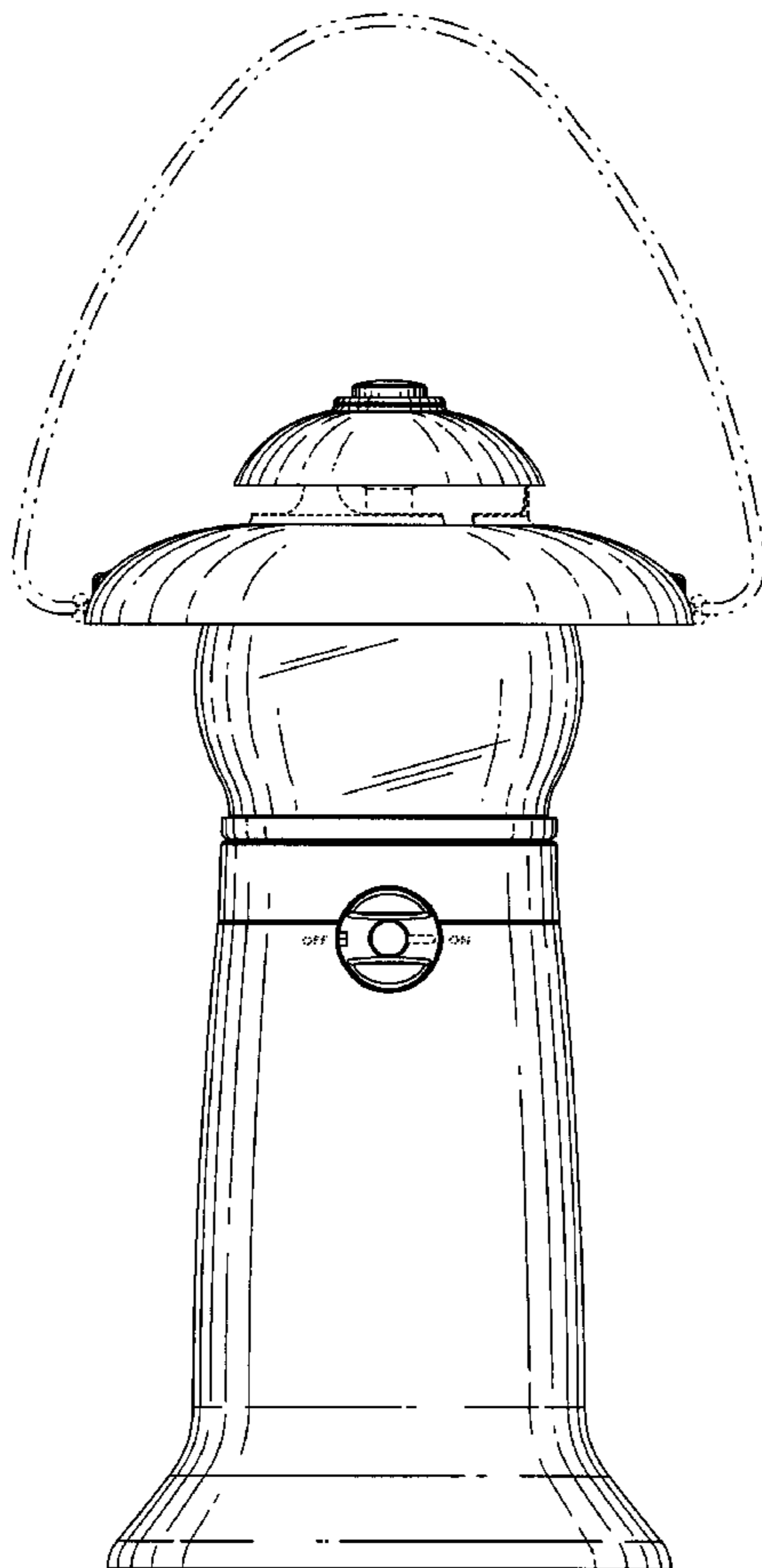
DESCRIPTION

FIG. 1 is a front top perspective view of a camping lantern according to an exemplary embodiment of the present invention.

FIG. 2 is a front elevational view of the camping lantern. FIG. 3 is a back elevational view of the camping lantern. FIG. 4 is a left side elevational view of the camping lantern. FIG. 5 is a right side elevational view of the camping lantern.

FIG. 6 is a top plan view of the camping lantern; and, FIG. 7 is a bottom plan view of the camping lantern. The broken lines are shown for illustrative purposes only and form no part of the claimed design.

1 Claim, 7 Drawing Sheets



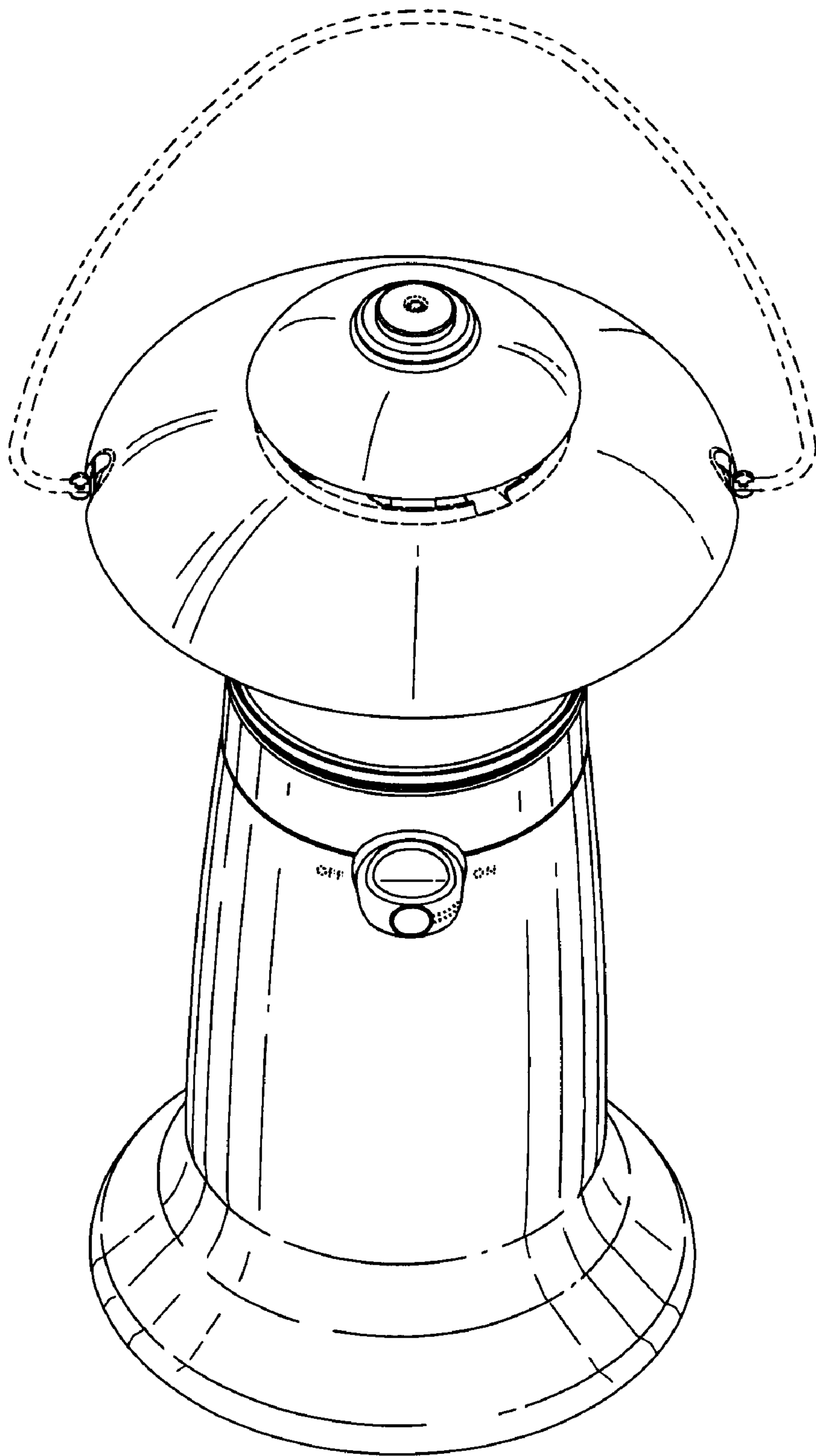


FIG. 1

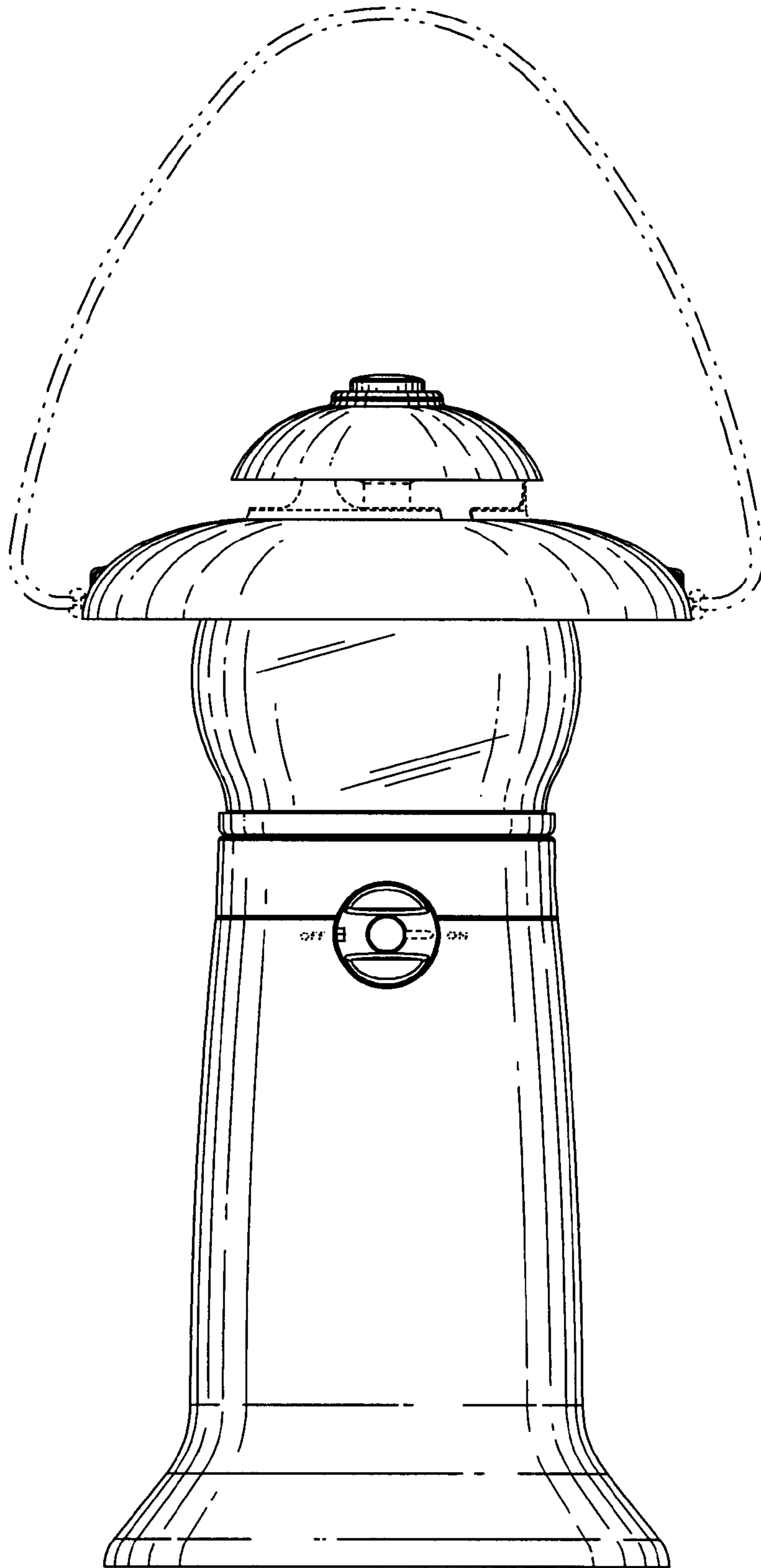


FIG. 2

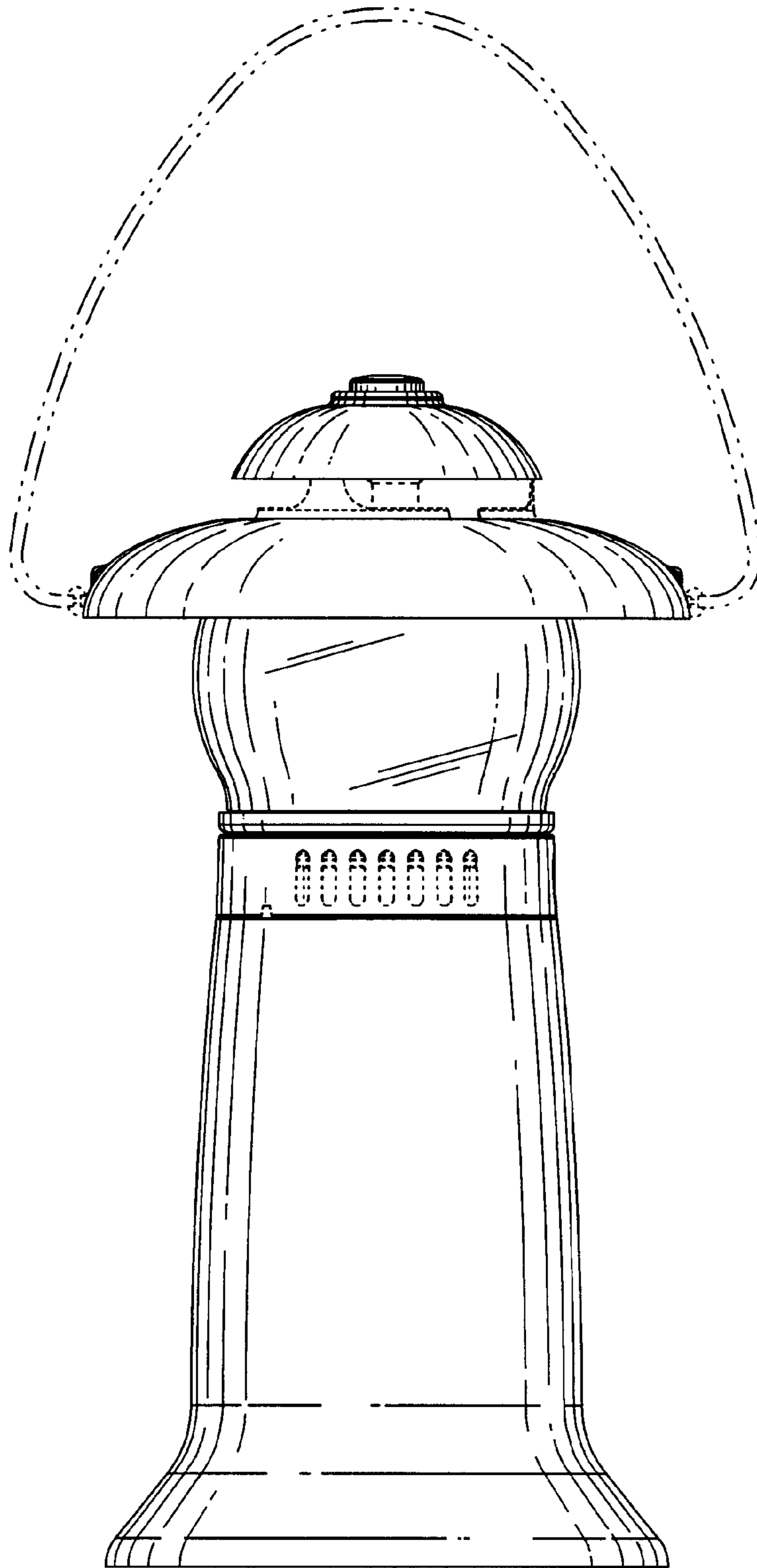


FIG. 3

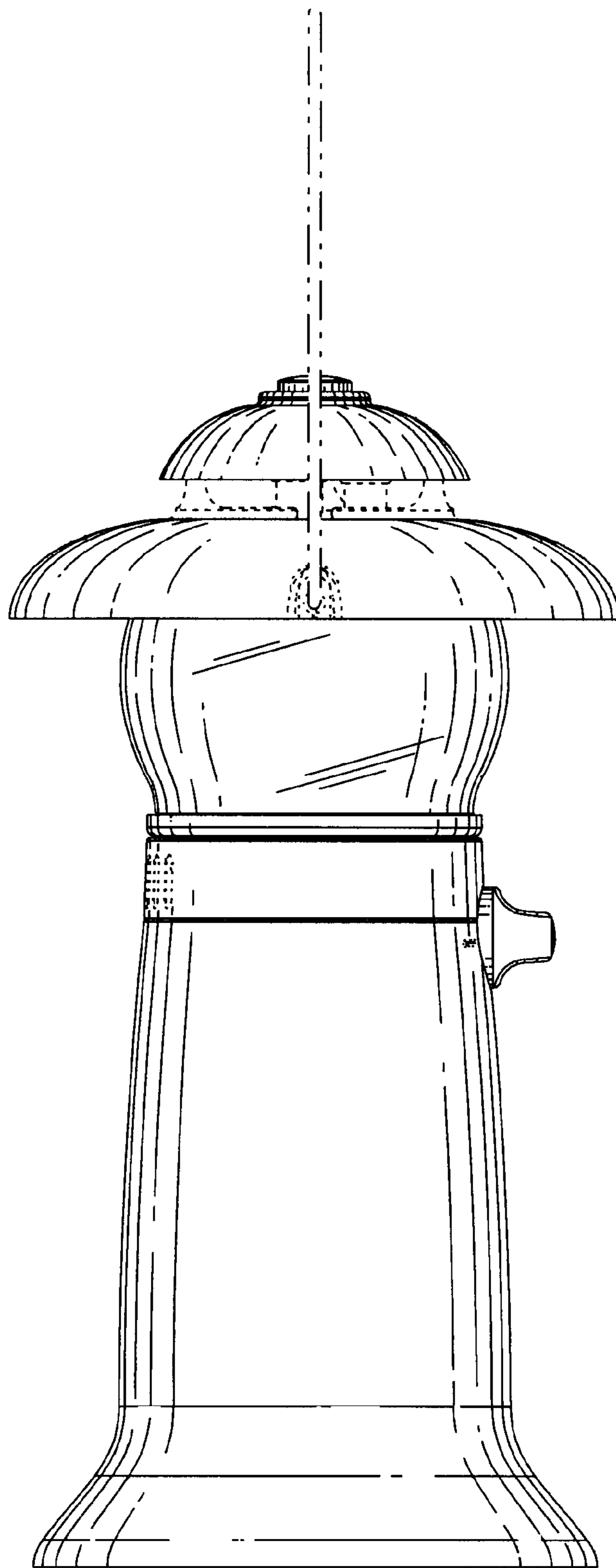


FIG. 4

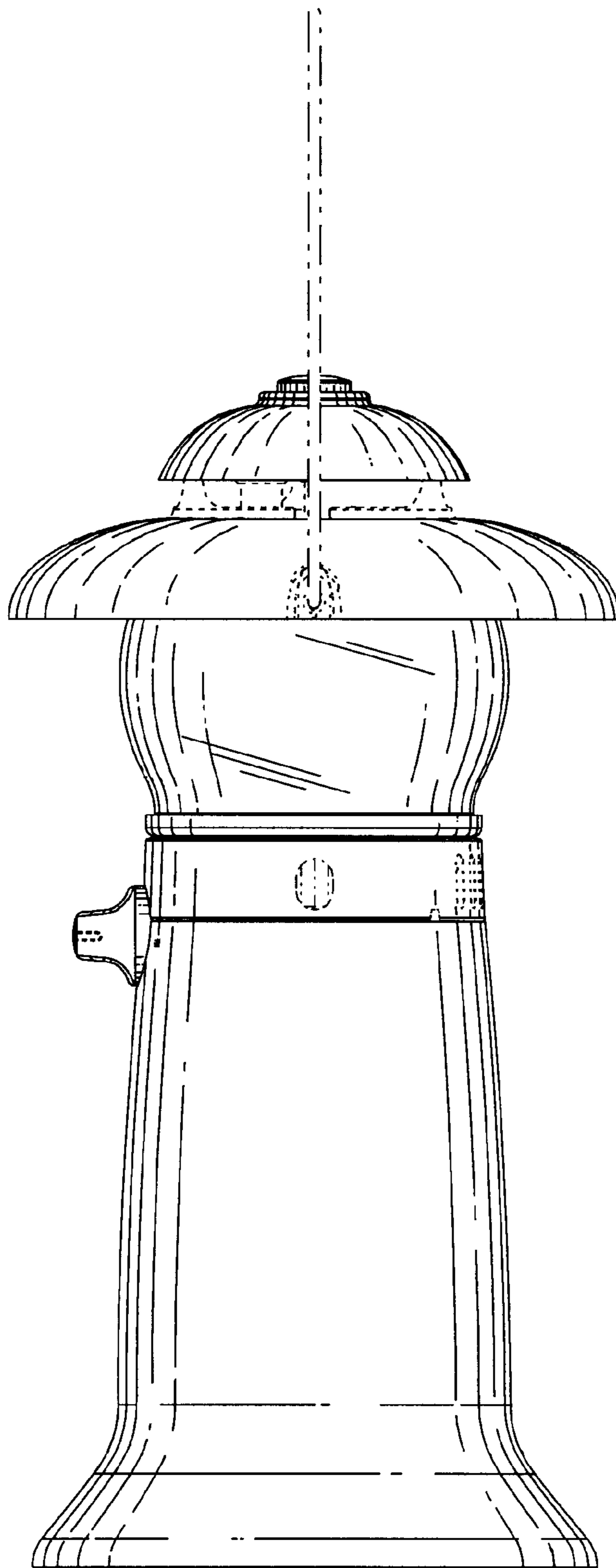


FIG. 5

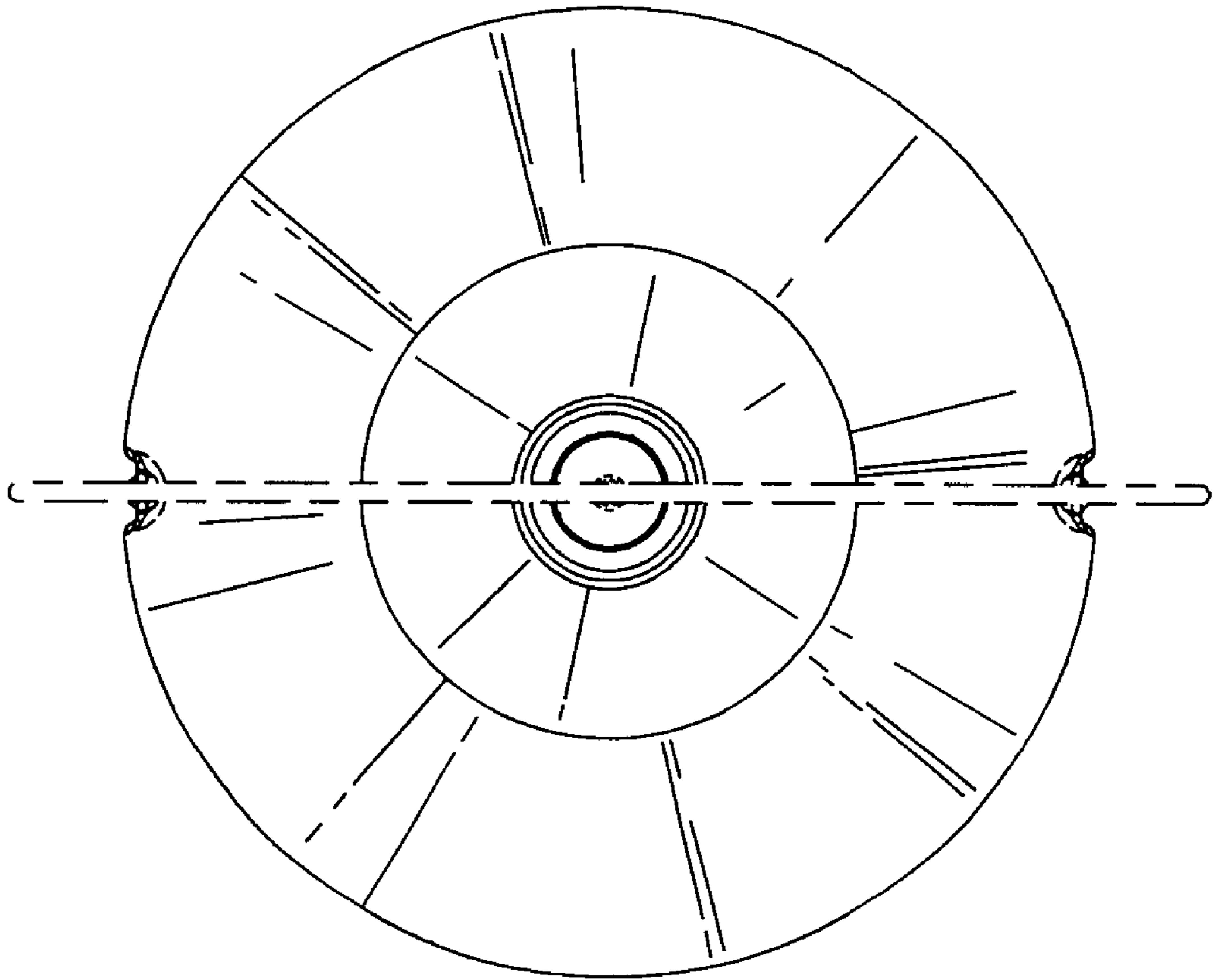


FIG. 6

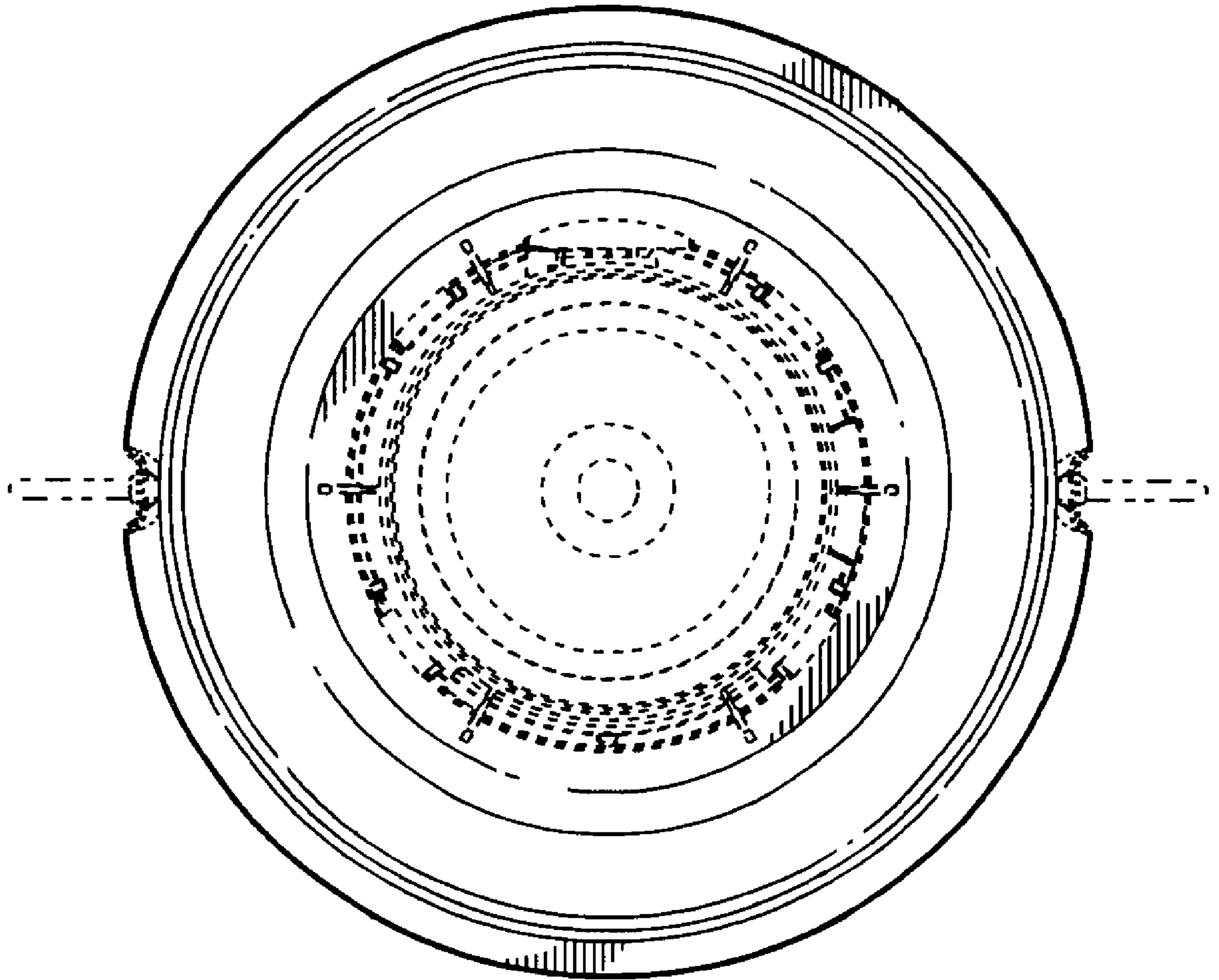


FIG. 7