



US00D450865B1

(12) **United States Design Patent**
Bellenger et al.

(10) **Patent No.:** **US D450,865 S**

(45) **Date of Patent:** **** Nov. 20, 2001**

(54) **SECTIONED CANDLE**

(75) Inventors: **Denise Dicharry Bellenger**, Goode;
David J. Eisner, Richmond; **Charles I. Lunsford**, North Garden, all of VA (US)

(73) Assignee: **Old Virginia Candle Company**, Forest, VA (US)

(**) Term: **14 Years**

(21) Appl. No.: **29/136,134**

(22) Filed: **Jan. 26, 2001**

(51) **LOC (7) Cl.** **26-01**

(52) **U.S. Cl.** **D26/11**

(58) **Field of Search** D26/9, 11, 6, 7;
431/288, 291, 125

(56) **References Cited**

U.S. PATENT DOCUMENTS

- D. 350,406 * 9/1994 Gereau D26/9
- D. 425,218 * 5/2000 Orlandi D26/6

- D. 425,220 * 5/2000 Klett et al. D26/7
- D. 439,684 * 3/2001 Freeman et al. D26/11
- 2,137,701 * 11/1938 Replogle 431/291

OTHER PUBLICATIONS

Soap & Candle Co.: CPJ Pharmacy Jar candle; Jul. 1966.*

* cited by examiner

Primary Examiner—Robin V. Taylor

(74) *Attorney, Agent, or Firm*—McGuire Woods LLP

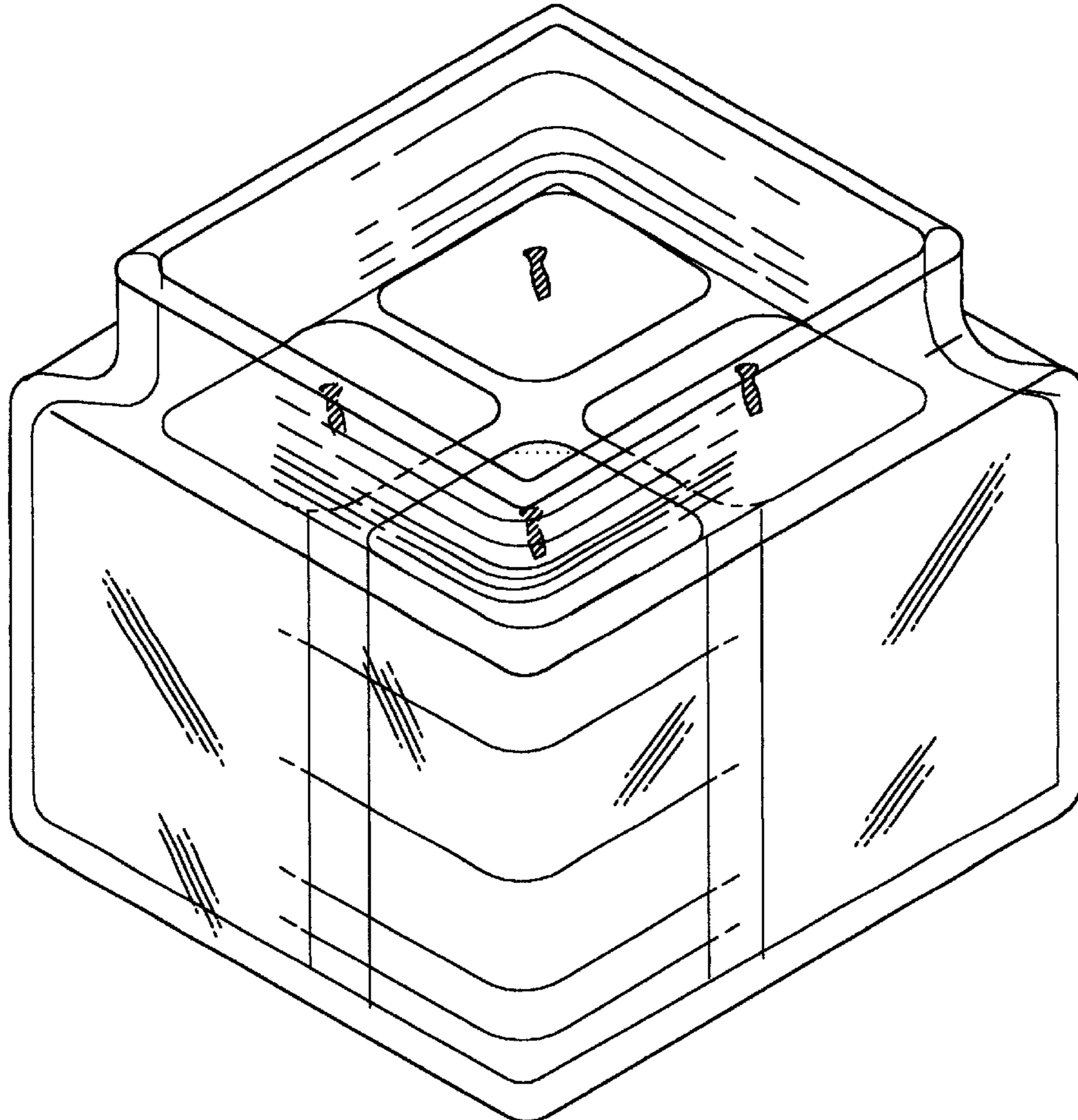
(57) **CLAIM**

The ornamental design for a sectioned candle, as shown and described.

DESCRIPTION

FIG. 1 is a top plan view of the sectioned candle.
 FIG. 2 is a front elevational view of the sectioned candle.
 FIG. 3 is a bottom plan view of the sectioned candle.
 FIG. 4 is a side elevational view of the sectioned candle; and,
 FIG. 5 is a left - front perspective view of the sectioned candle.

1 Claim, 3 Drawing Sheets



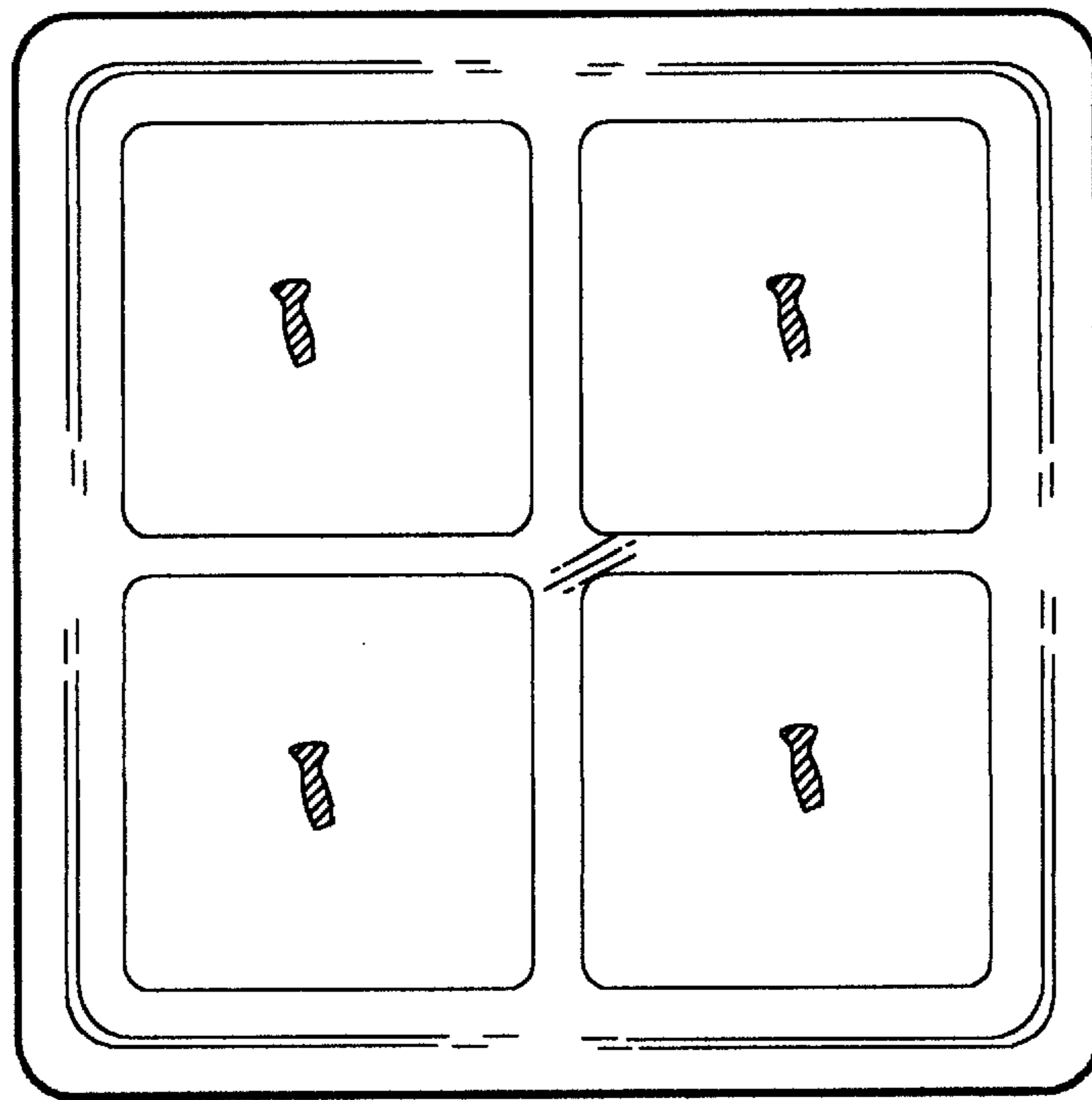


FIG. 1

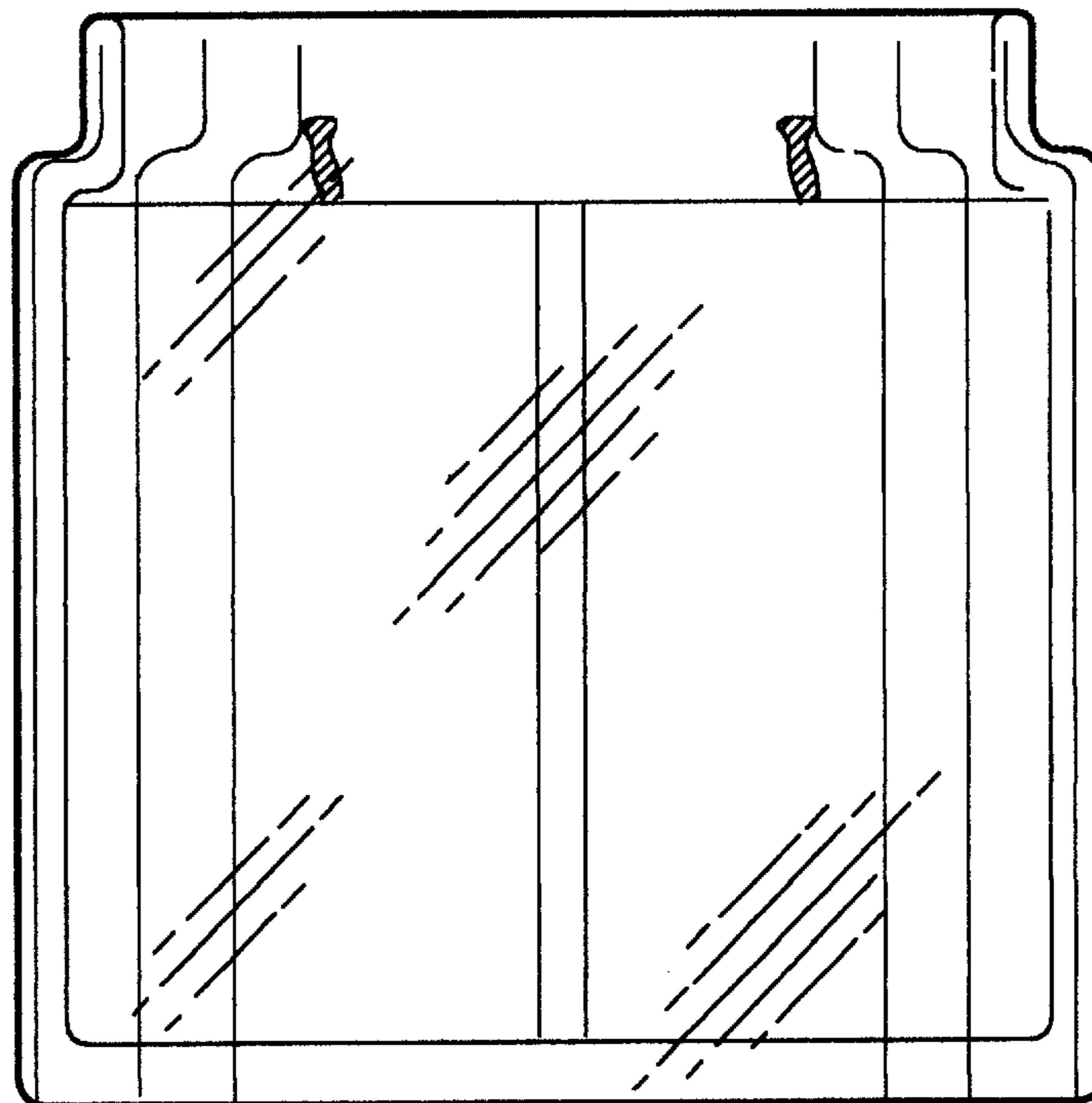


FIG. 2

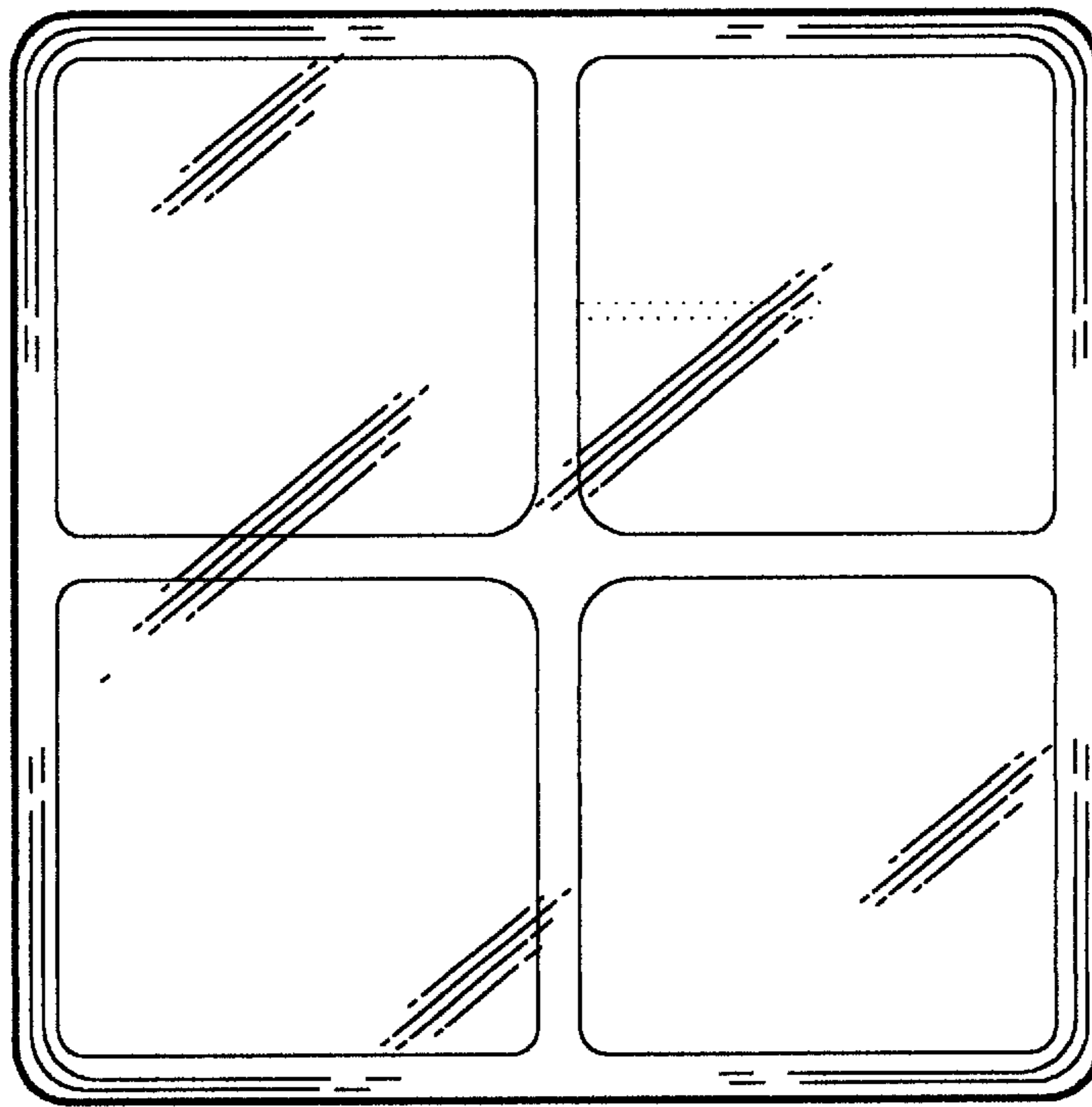


FIG. 3

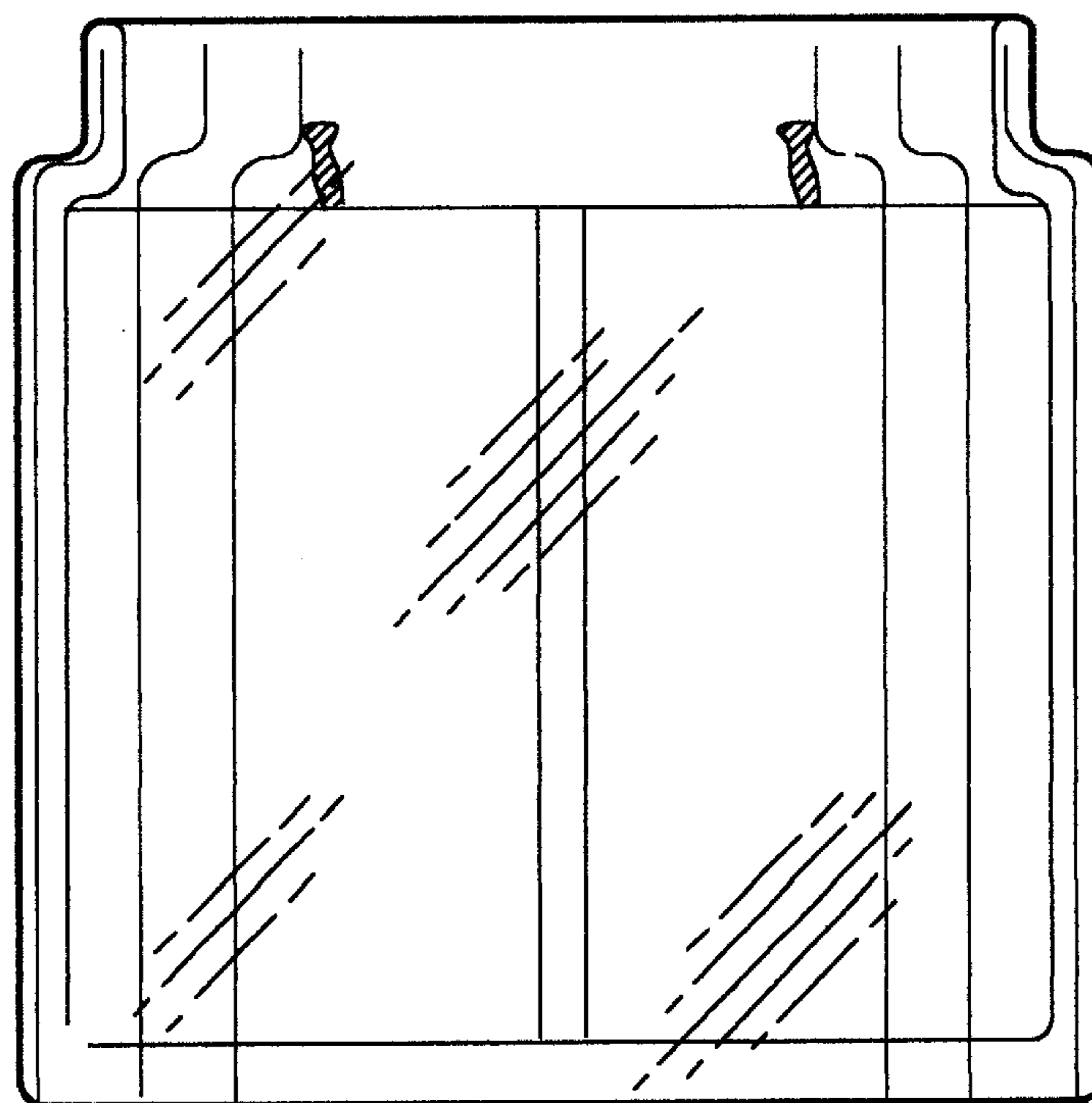


FIG. 4

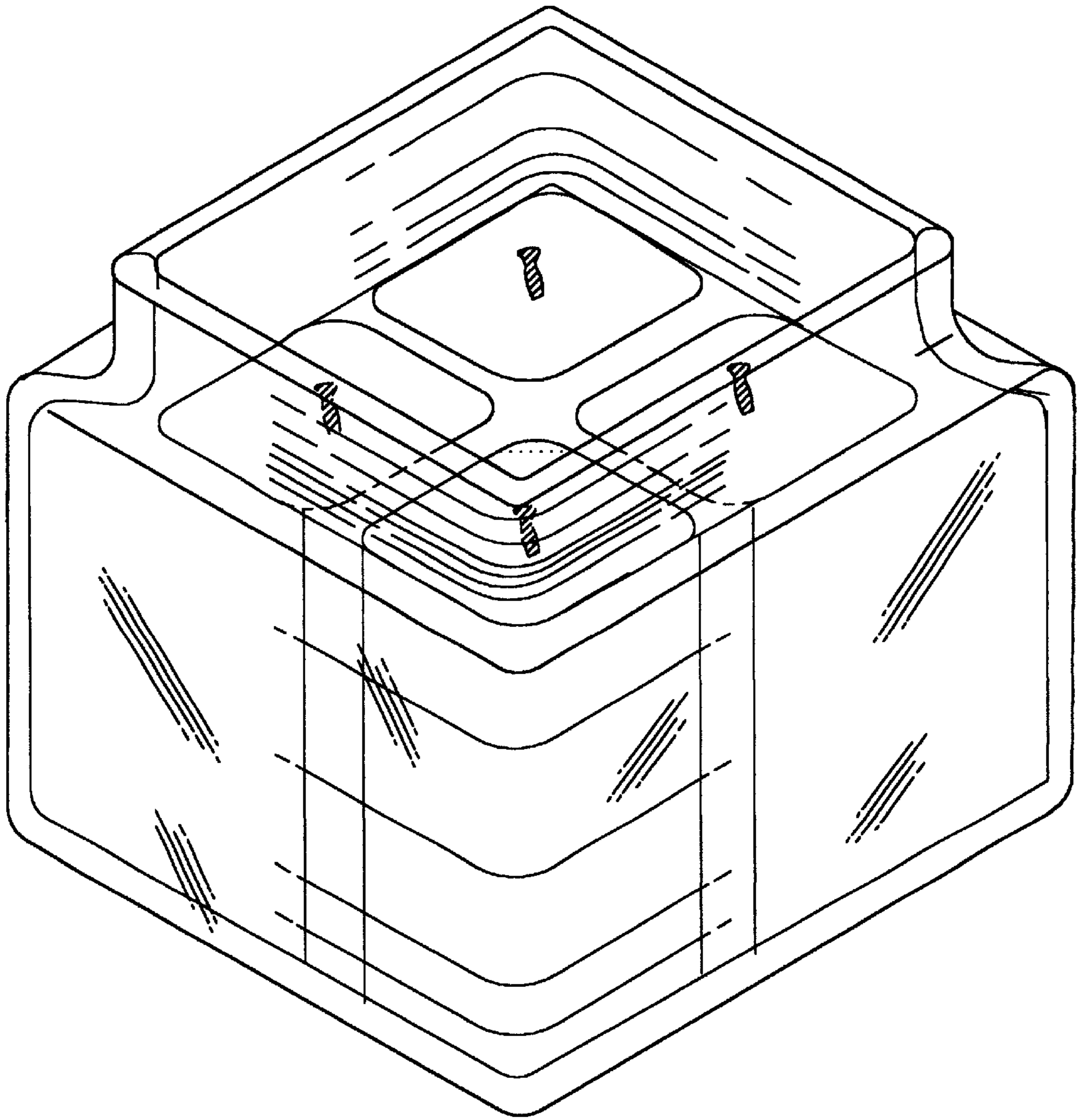


FIG.5