



US00D450860B1

(12) **United States Design Patent**
Moriyama et al.

(10) **Patent No.:** **US D450,860 S**

(45) **Date of Patent:** **** Nov. 20, 2001**

(54) **LAMP DEVICE**

(75) Inventors: **Hideo Moriyama; Masayuki Katogi,**
both of Tokyo (JP)

(73) Assignee: **Moriyama Sangyo Kabushiki Kaisha,**
Tokyo (JP)

(**) Term: **14 Years**

(21) Appl. No.: **29/141,135**

(22) Filed: **Apr. 30, 2001**

(51) **LOC (7) Cl.** **26-06**

(52) **U.S. Cl.** **D26/2**

(58) **Field of Search** D26/1, 2, 3, 4;
313/1, 25, 315, 316, 317, 318, 578, 579

(56) **References Cited**

U.S. PATENT DOCUMENTS

D. 426,899 * 6/2000 Au Yeng D26/2

D. 433,166 * 10/2000 Noll D26/2

* cited by examiner

Primary Examiner—Marcus A. Jackson

(74) *Attorney, Agent, or Firm*—Marshall & Melhorn, LLC

(57) **CLAIM**

The ornamental design for a lamp device, as shown and described.

DESCRIPTION

FIG. 1 is a perspective view of a lamp device showing our new design;

FIG. 2 is a front view thereof;

FIG. 3 is a back view thereof;

FIG. 4 is a right side view thereof;

FIG. 5 is a left side view thereof;

FIG. 6 is a top plan view thereof;

FIG. 7 is a bottom plan view thereof;

FIG. 8 is a longitudinal cross-sectional view thereof taken along the lines VIII—VIII in FIG. 6;

FIG. 9 is a front view thereof showing a state in which the lamp body is tilted around a horizontal axis;

FIG. 10 is an illustrative perspective view of the lamp device according to our new design received in a receptacle shown in broken lines for illustrative purposes only; and,

FIG. 11 is another illustrative perspective view of the lamp device of our new design received in a receptacle and attached with a light reflector each of which are shown in broken lines for illustrative purposes only and forming no part of the claimed design.

1 Claim, 5 Drawing Sheets

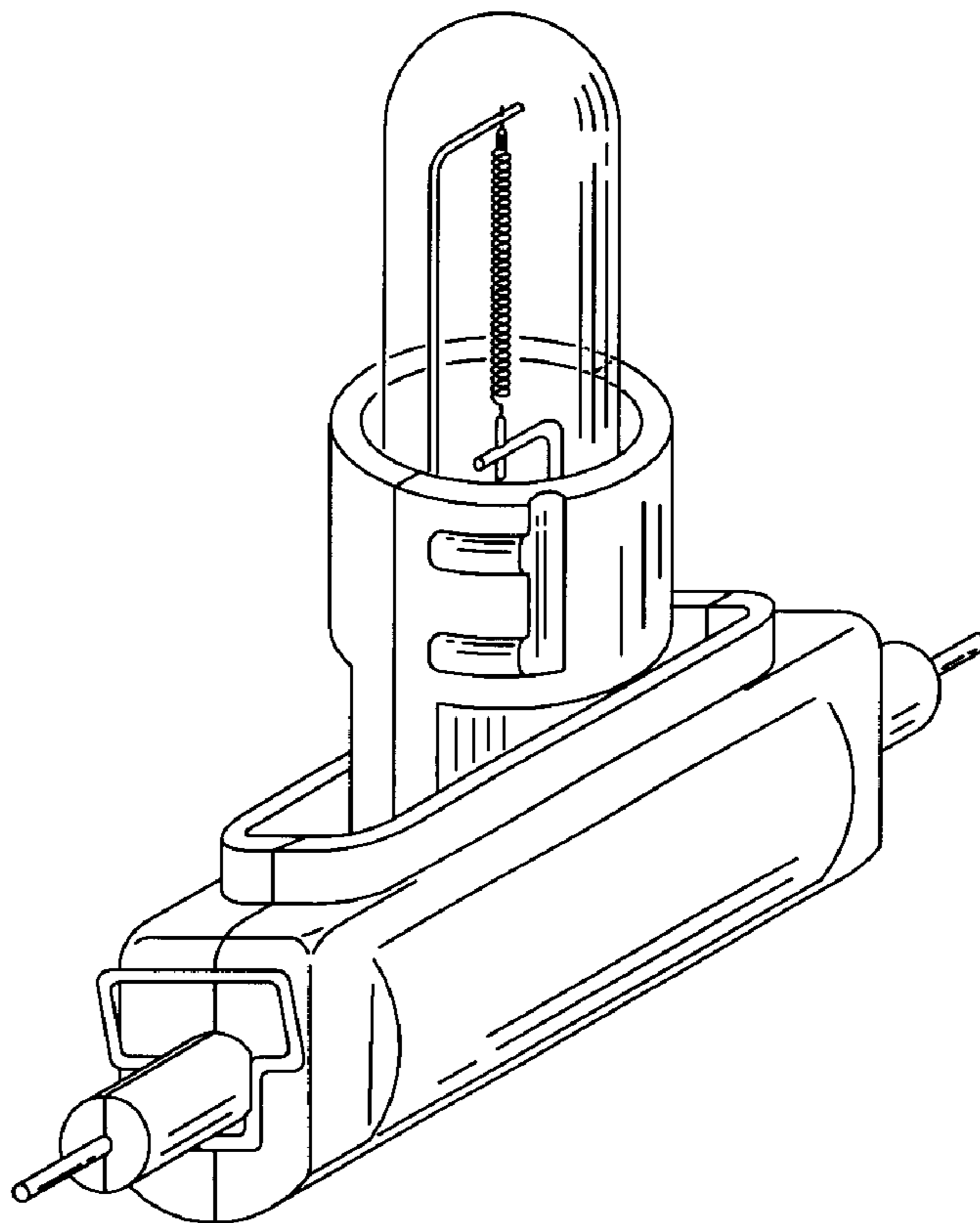


Fig. 1

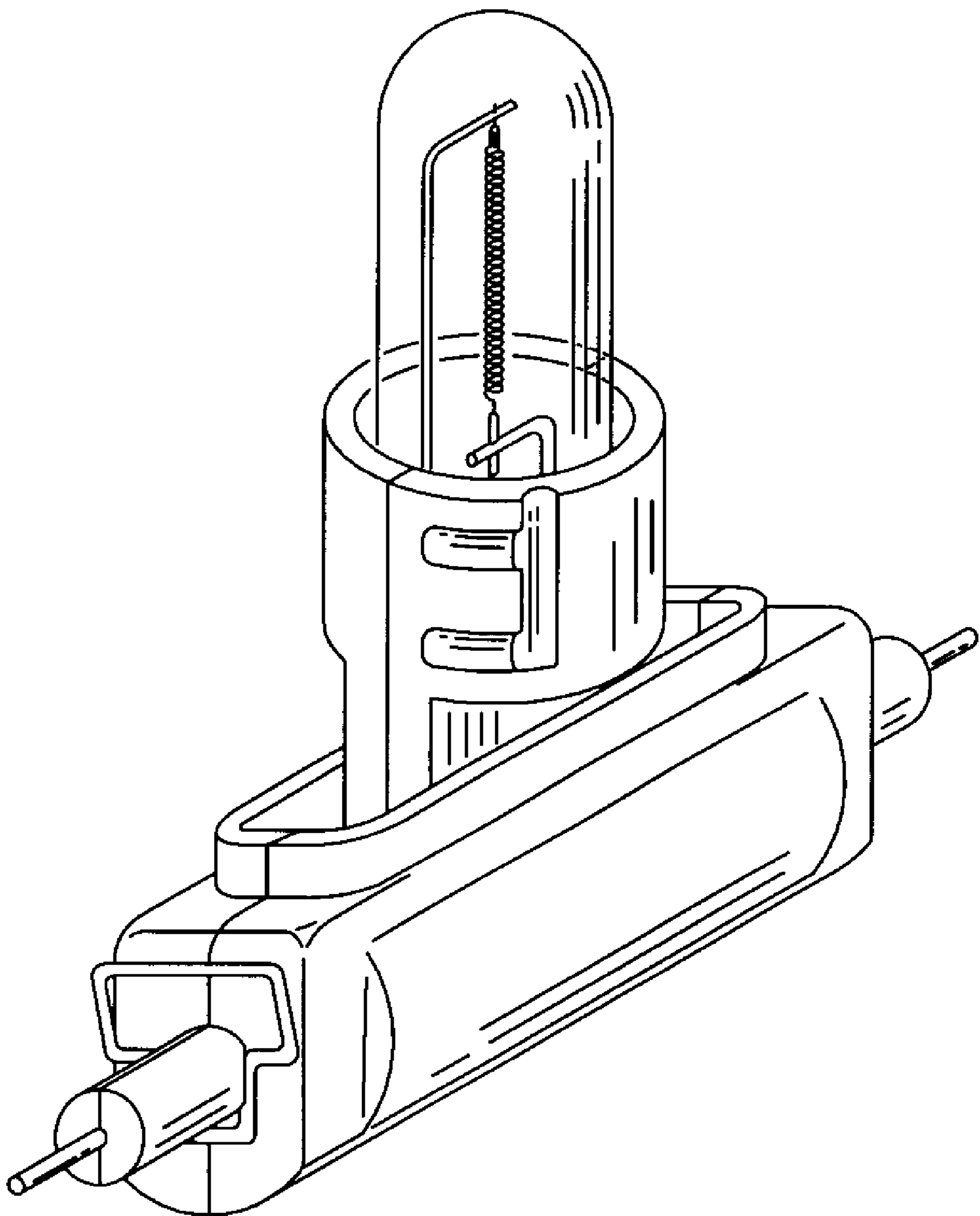


Fig. 2

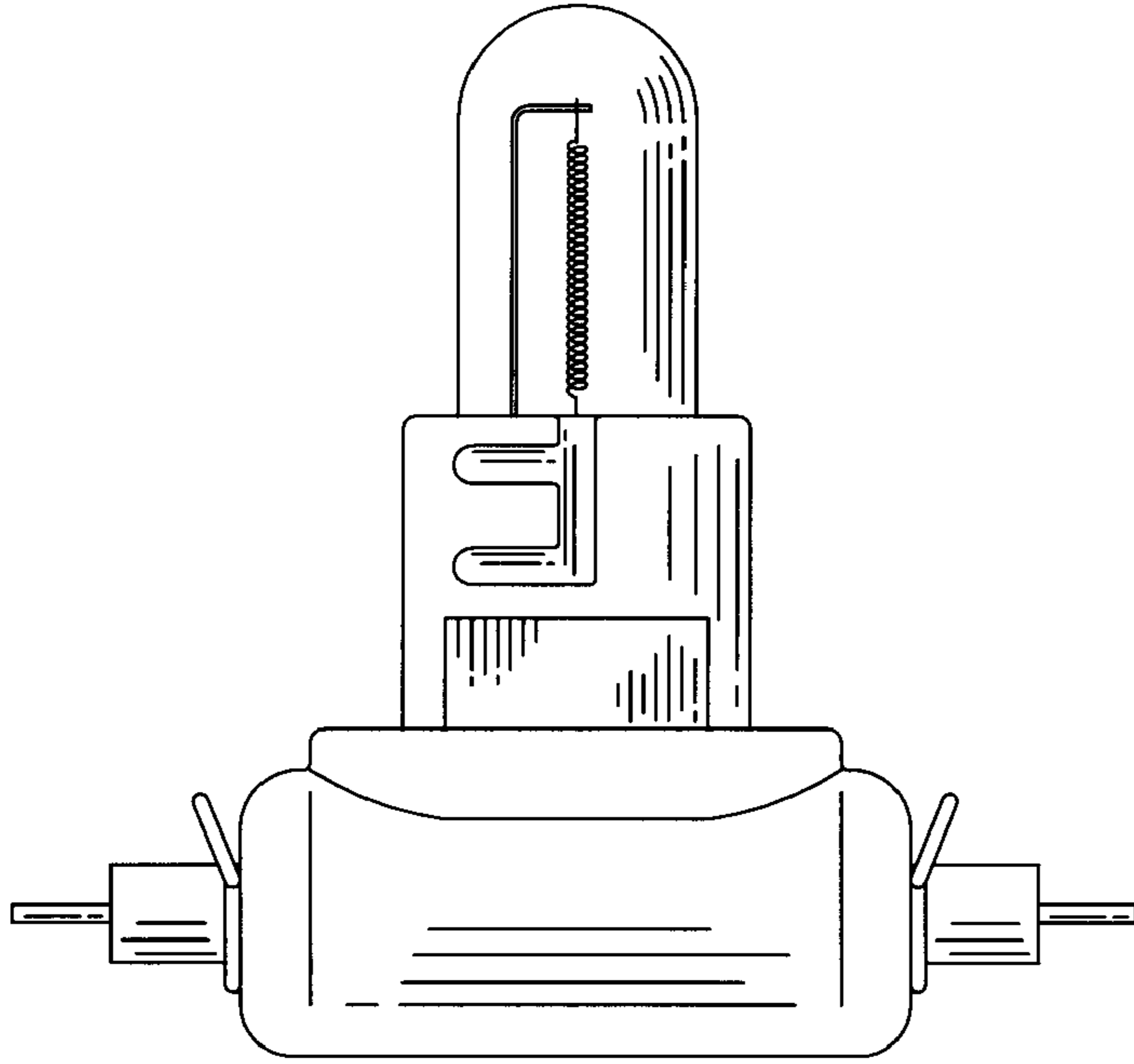


Fig. 4

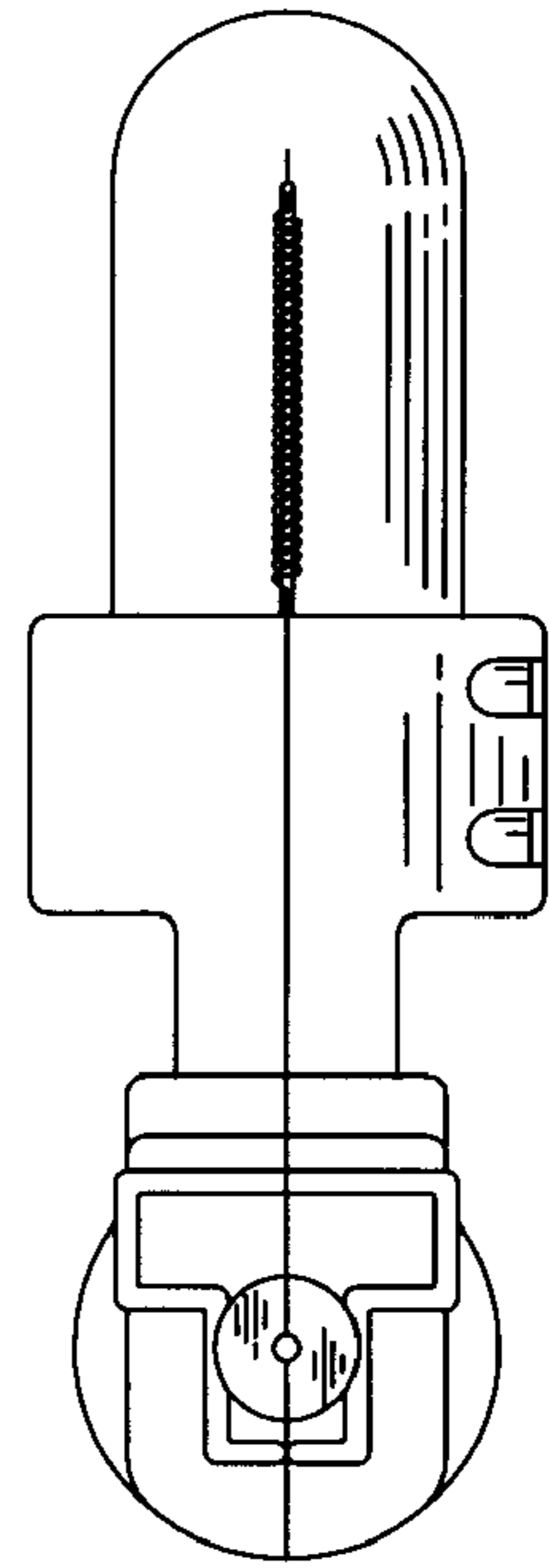


Fig. 3

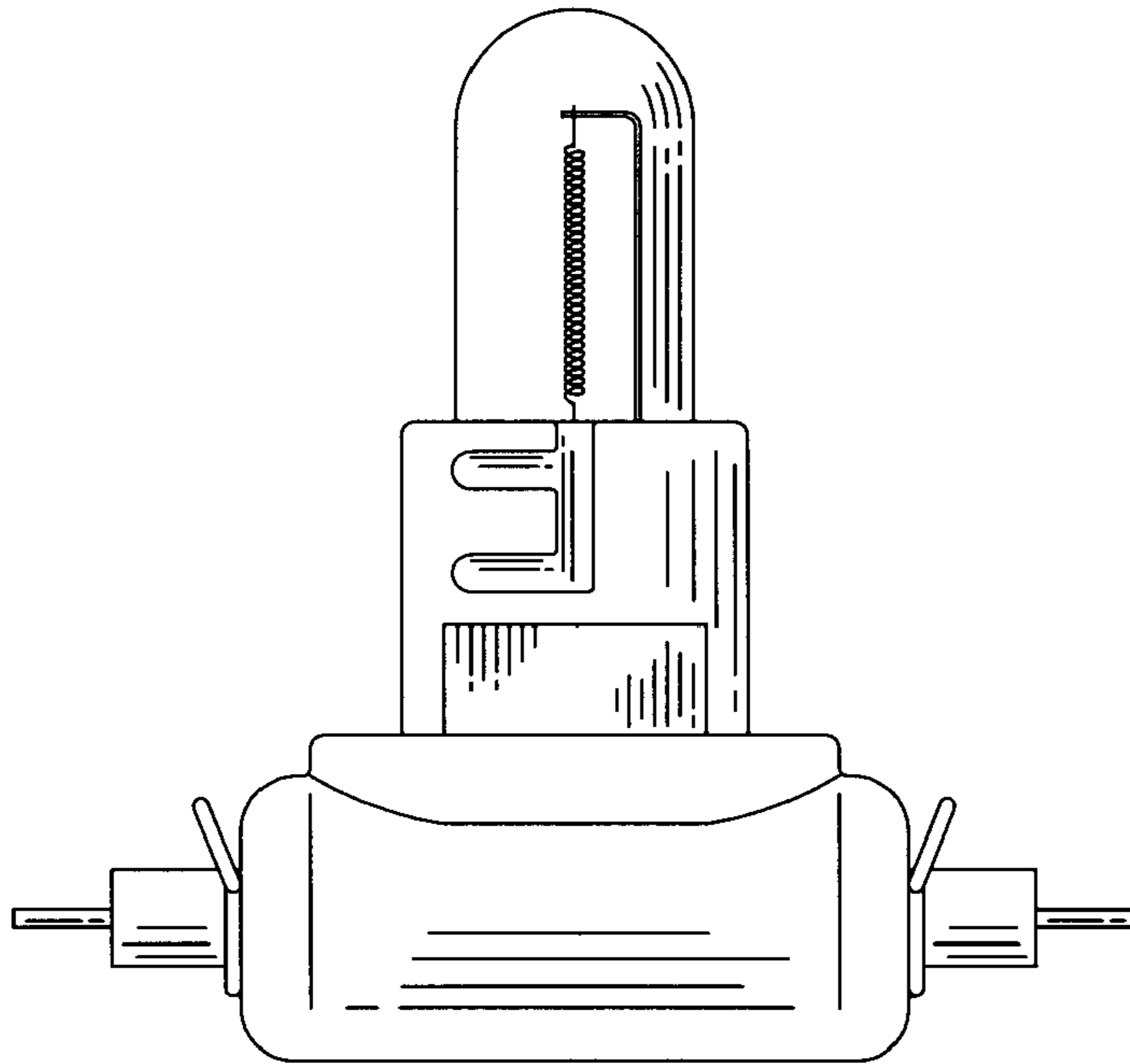


Fig. 5

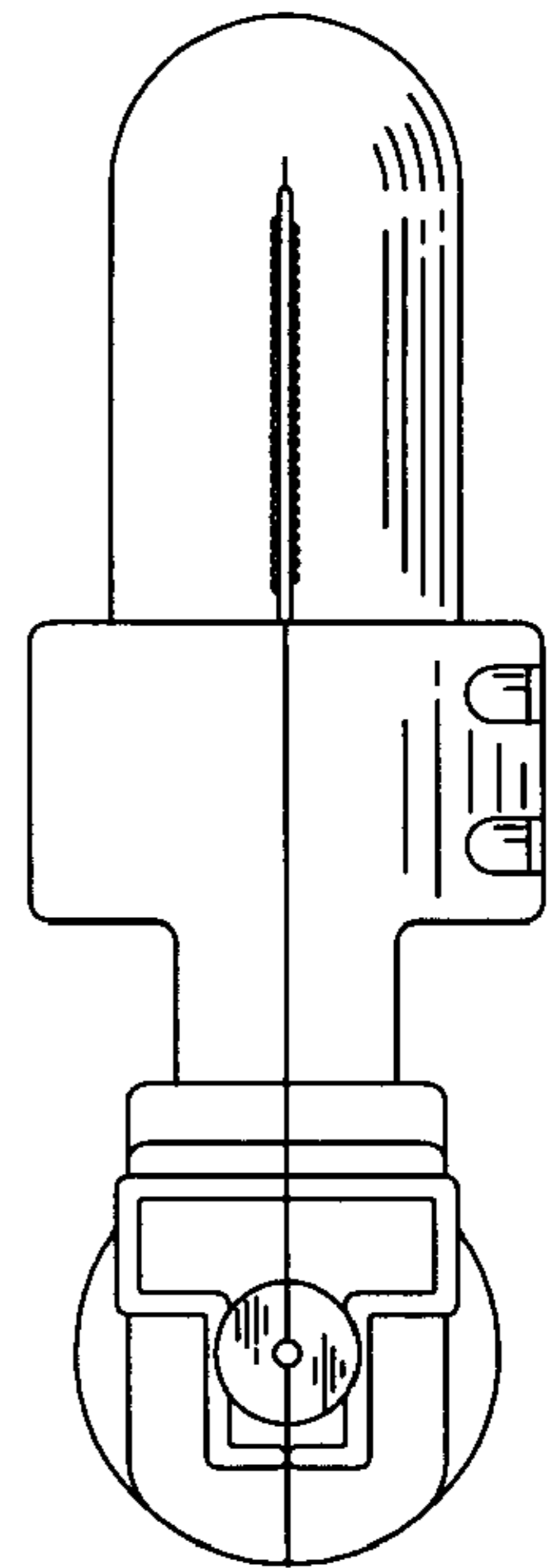


Fig. 6

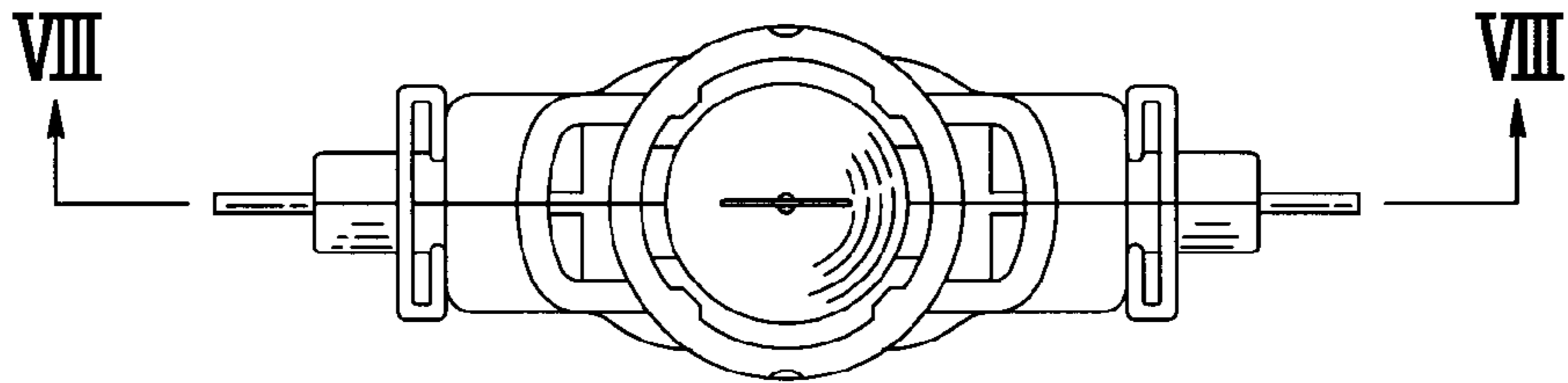


Fig. 7

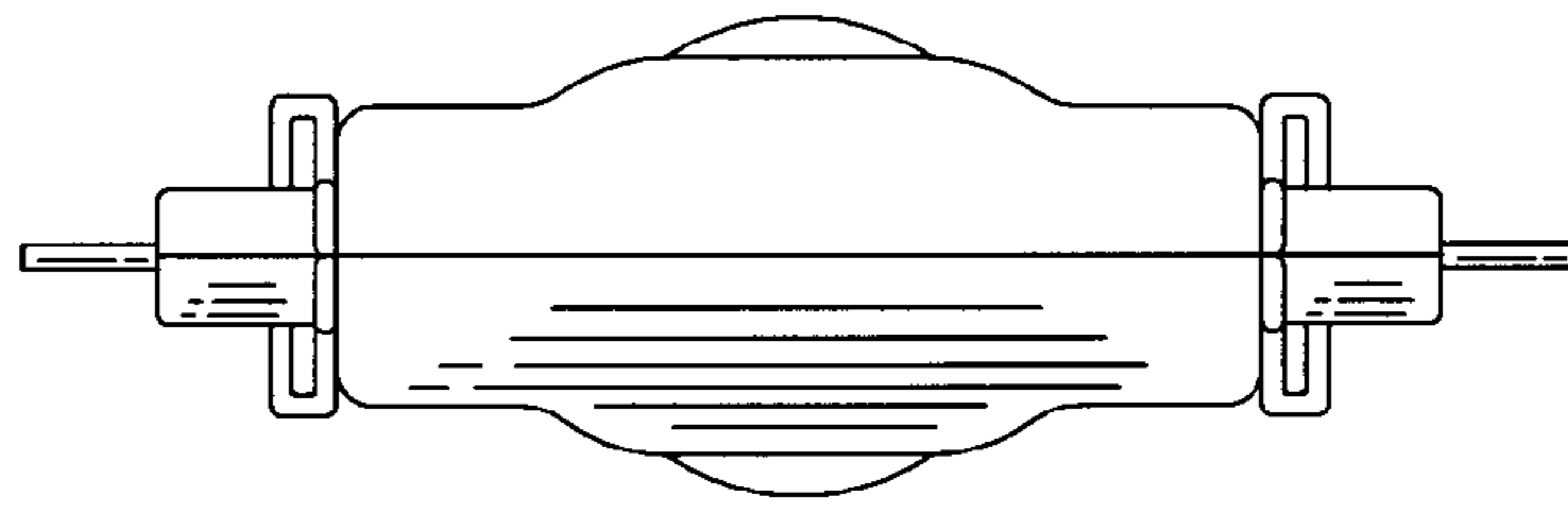


Fig. 8

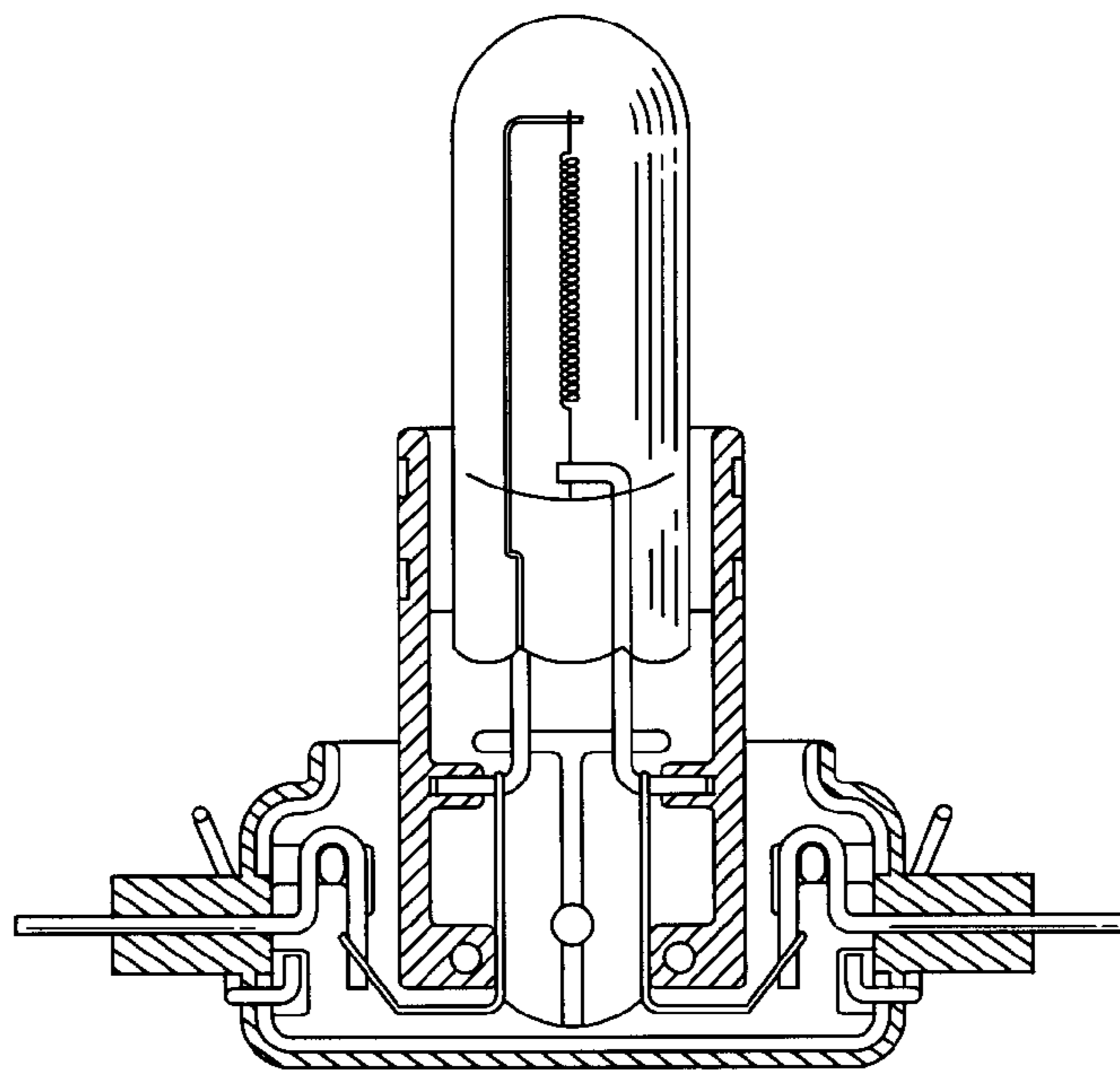


Fig. 9

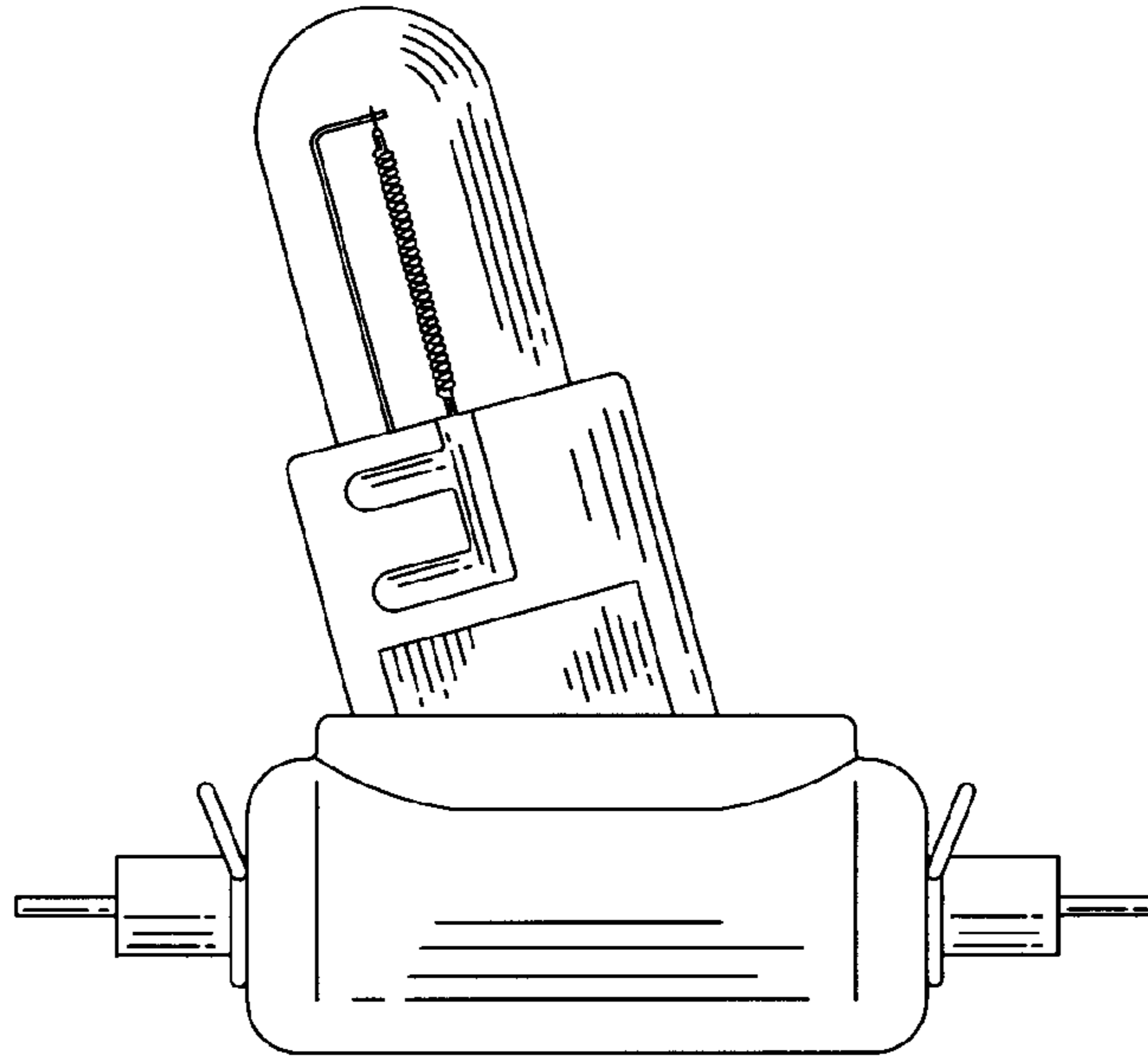


Fig. 10

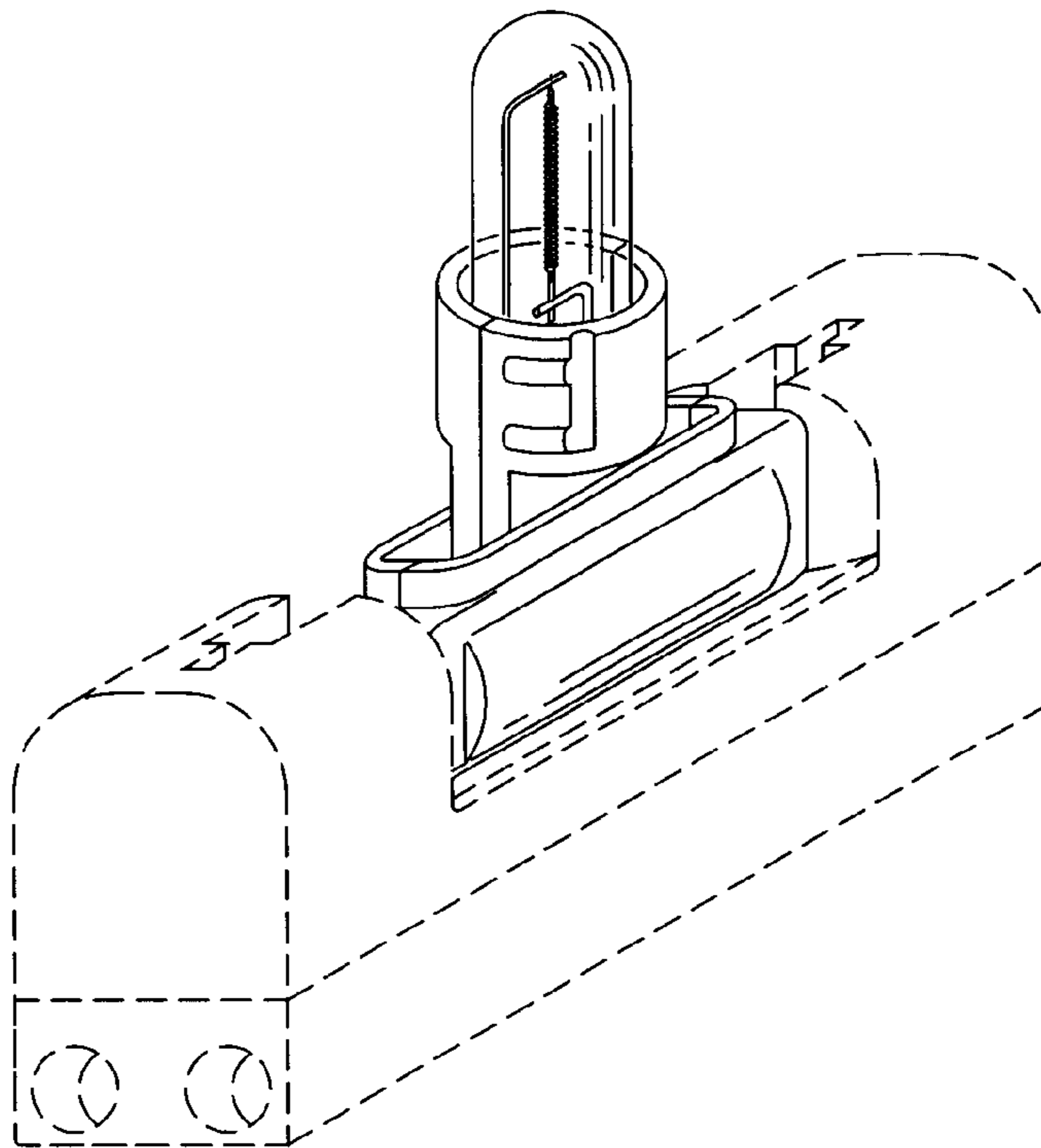


Fig. 11

