



US00D450857B1

(12) **United States Design Patent**
Schoeren

(10) **Patent No.:** **US D450,857 S**

(45) **Date of Patent:** **** Nov. 20, 2001**

(54) **LINK FOR A ROLL-DOWN SHUTTER**

(76) Inventor: **Leonardus M. L. J. Schoeren,**
Dijkersingel 16, 5953 KC Reuver (NL)

(**) Term: **14 Years**

(21) Appl. No.: **29/124,591**

(22) Filed: **Jun. 7, 2000**

(51) **LOC (7) Cl.** **25-02**

(52) **U.S. Cl.** **D25/49**

(58) **Field of Search** D25/50, 53, 49,
D25/47; D8/499; 160/299.1, 218, 236, 235,
133; 198/350, 351, 352, 353

(56) **References Cited**

U.S. PATENT DOCUMENTS

D. 288,131	*	2/1987	Magro	D25/49
D. 329,706		9/1992	Hermens et al.	D25/53
D. 414,877	*	10/1999	Meshulam	D25/49
4,577,352	*	3/1986	Gautheron	160/229.1
6,006,815	*	12/1999	Schanz	160/133

* cited by examiner

Primary Examiner—Doris Clark

(74) *Attorney, Agent, or Firm*—Abelman, Frayne & Schwab

(57) **CLAIM**

The ornamental design for a link for a roll-down shutter, as shown.

DESCRIPTION

FIG. 1 is a front perspective view of a link for a roll-down shutter showing my new design;

FIG. 2 is a left side elevational view thereof;

FIG. 3 is a right side elevational view thereof;

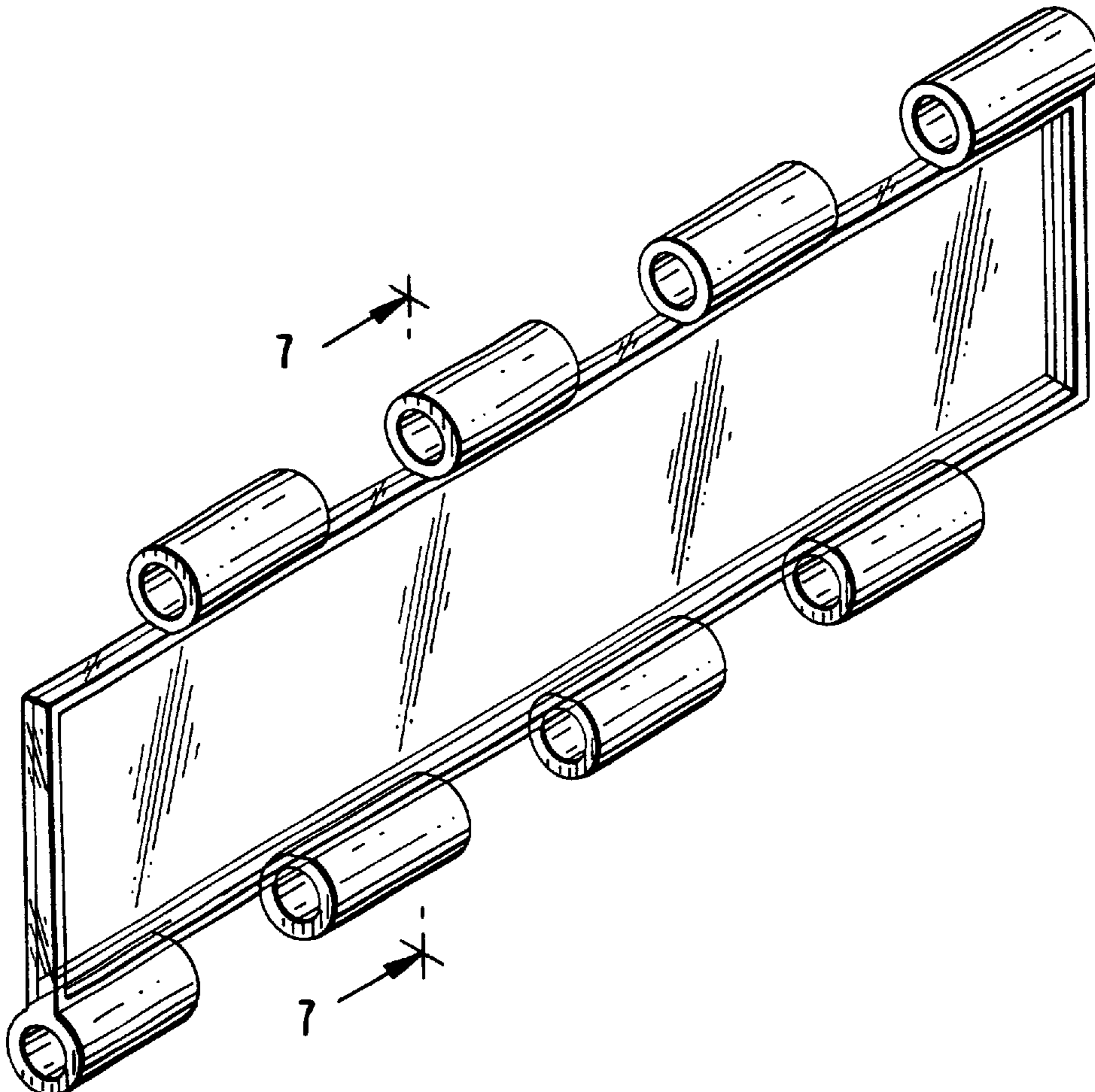
FIG. 4 is a top plan view thereof;

FIG. 5 is a bottom plan view thereof;

FIG. 6 is a rear perspective view of a second embodiment of the link for roll-down shutter showing my new design; and,

FIG. 7 is a cross-sectional view along line 7—7 of FIG. 6.

1 Claim, 3 Drawing Sheets



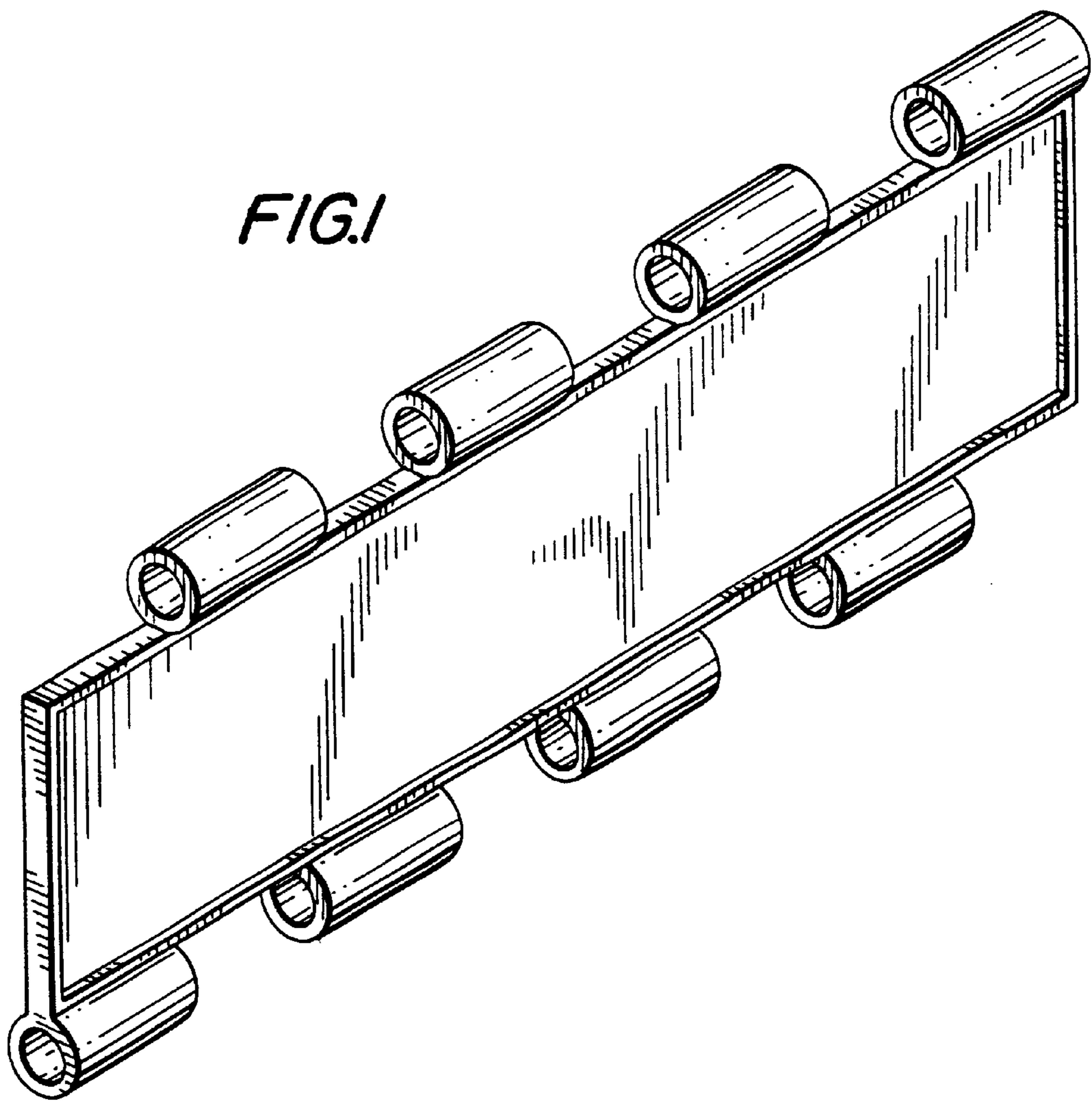
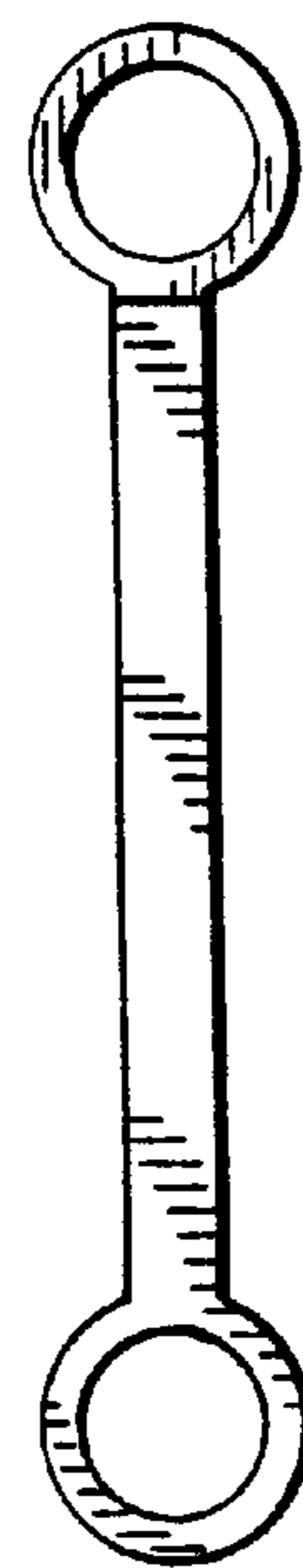


FIG. 2



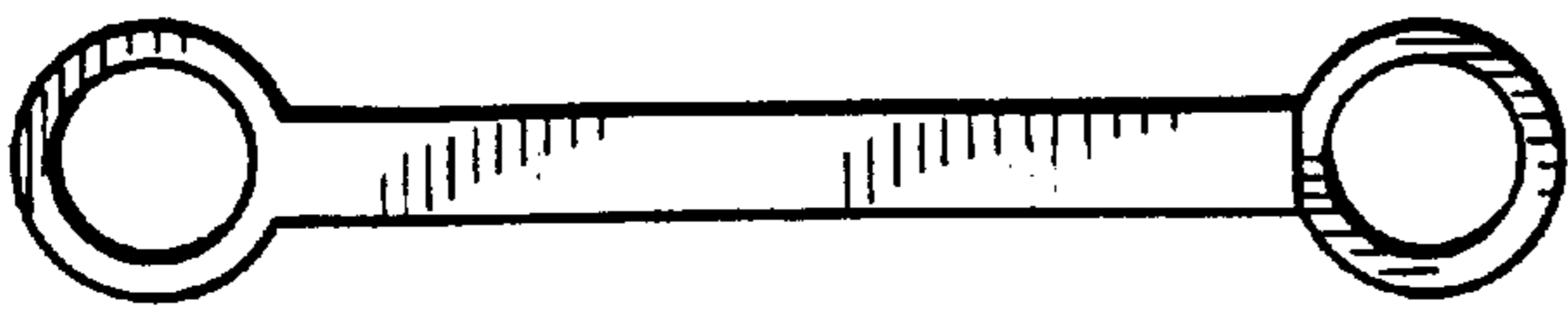


FIG. 3

FIG. 4

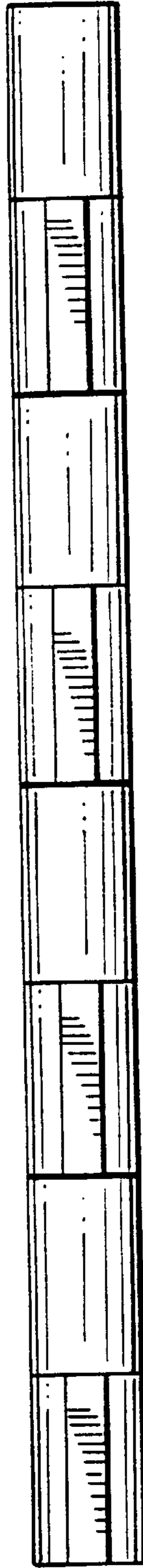
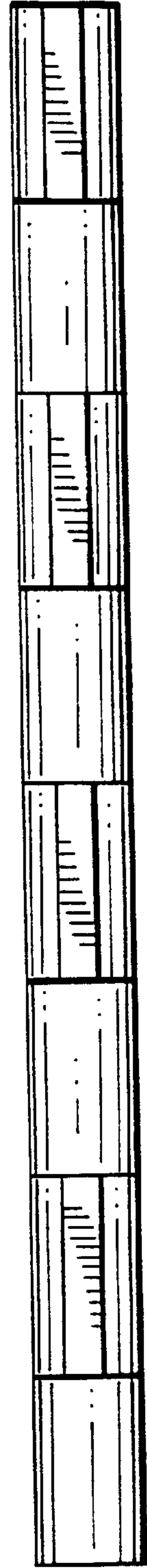


FIG. 5



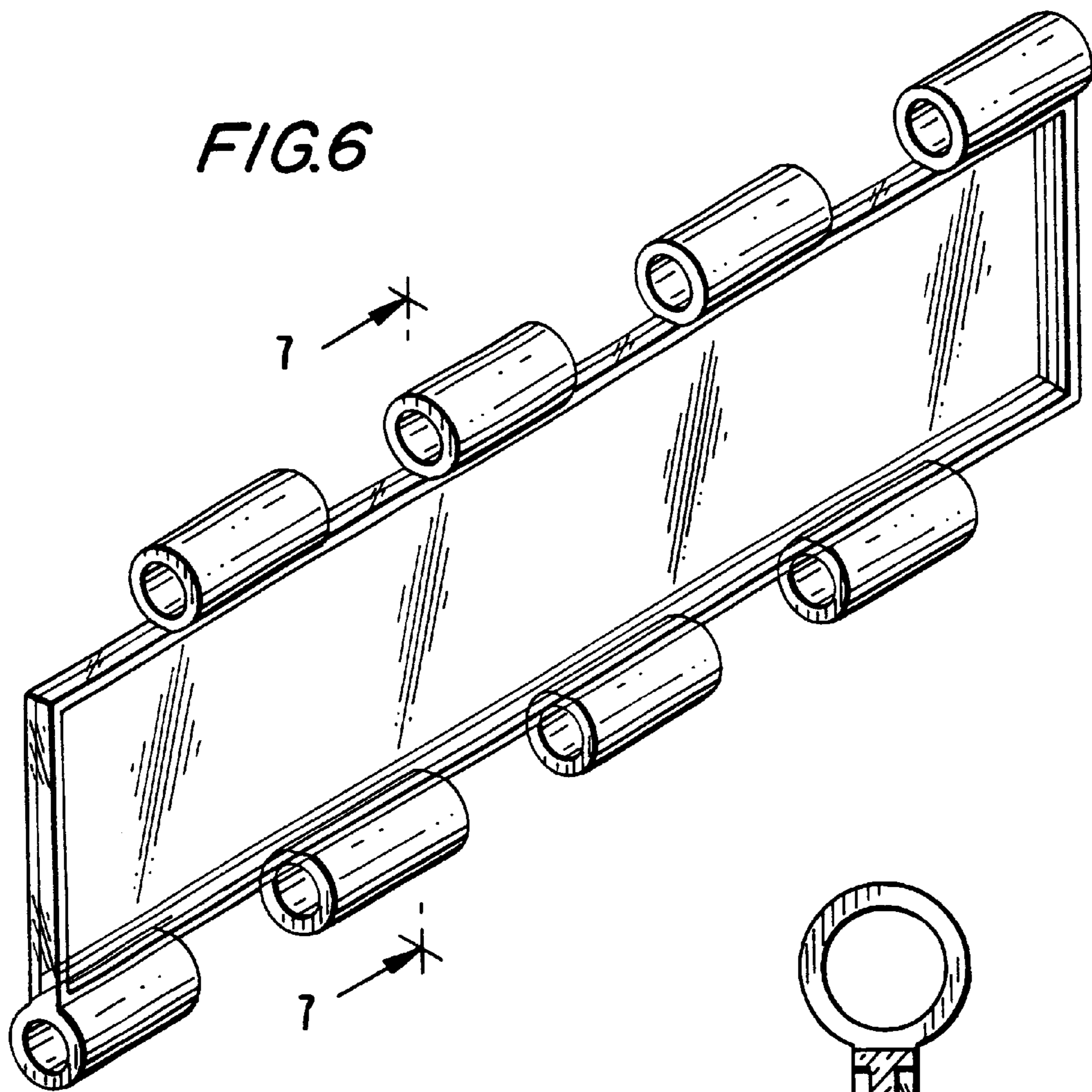


FIG.7

