



US00D450854B1

(12) **United States Design Patent**
Lipman et al.

(10) **Patent No.:** **US D450,854 S**

(45) **Date of Patent:** **** Nov. 20, 2001**

(54) **GLUCOSE STRIP**

(75) Inventors: **Kelley J. Lipman**, Fremont; **Joseph A. Vivolo**, San Francisco; **Travis Rowe**, Fremont, all of CA (US)

(73) Assignee: **TheraSense, Inc.**, Alameda, CA (US)

(**) Term: **14 Years**

(21) Appl. No.: **29/113,423**

(22) Filed: **Nov. 4, 1999**

(51) **LOC (7) Cl.** **24-02**

(52) **U.S. Cl.** **D24/225**

(58) **Field of Search** D24/225, 224, D24/169, 164, 165, 187; D10/81; 204/403; 435/805, 4; 422/58, 56, 61, 102, 101, 99, 55; 430/67, 46, 48, 66, 810, 807, 809, 808

(56) **References Cited**

U.S. PATENT DOCUMENTS

| | | | | | |
|------------|---|---------|-----------------|-------|---------|
| D. 383,550 | * | 9/1997 | Larson et al. | | D24/225 |
| 4,713,165 | * | 12/1987 | Conover et al. | | 422/68 |
| 5,352,411 | * | 10/1994 | Khuri | | 422/58 |
| 5,437,999 | | 8/1995 | Diebold et al. | . | |
| 5,779,867 | * | 7/1998 | Shieh | | 436/807 |
| 5,795,543 | * | 8/1998 | Poto et al. | | 422/58 |
| 5,997,817 | * | 12/1999 | Crismore et al. | | 422/58 |
| 6,033,866 | * | 3/2000 | Guo et al. | | 435/817 |

FOREIGN PATENT DOCUMENTS

WO 97/18464 5/1997 (WO) .

OTHER PUBLICATIONS

Declaration of Ephraim Heller including Exhibits A-H.

* cited by examiner

Primary Examiner—Ian Simmons

(74) *Attorney, Agent, or Firm*—Merchant & Gould P.C.

(57) **CLAIM**

The ornamental design for a glucose strip, as shown and described.

DESCRIPTION

FIG. 1 is a top perspective view of a first embodiment of a glucose strip according to our new design;

FIG. 2 is a front elevational view of the embodiment shown in FIG. 1;

FIG. 3 is a rear elevational view of the embodiment shown in FIGS. 1-2;

FIG. 4 is a top plan view of the embodiment shown in FIGS. 1-3;

FIG. 5 is a bottom plan view of the embodiment shown in FIGS. 1-4; and

FIG. 6 is a side elevational view of the embodiment shown in FIGS. 1-5.

FIG. 7 is a top perspective view of a second embodiment of a glucose strip according to our new design;

FIG. 8 is a front elevational view of a second embodiment shown in FIG. 7;

FIG. 9 is a rear elevational view of a second embodiment shown in FIGS. 7-8;

FIG. 10 is a top plan view of a second embodiment shown in FIGS. 7-9;

FIG. 11 is a bottom plan view of a second embodiment shown in FIGS. 7-10; and,

FIG. 12 is a side elevational view of a second embodiment shown in FIGS. 7-11.

The broken lines are shown in the views for illustrative purposes only and form no part of the claimed design.

1 Claim, 2 Drawing Sheets

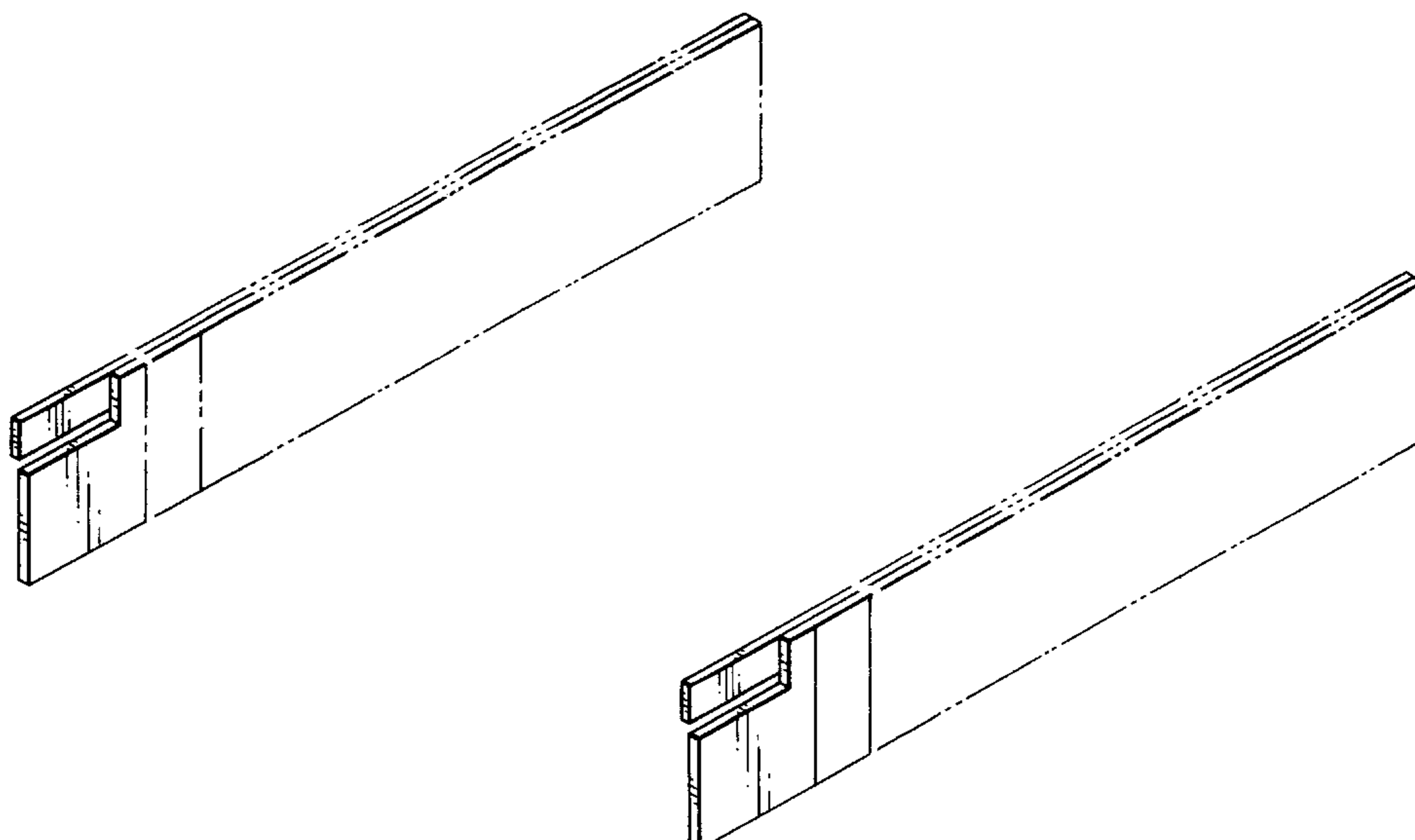


FIG. 1

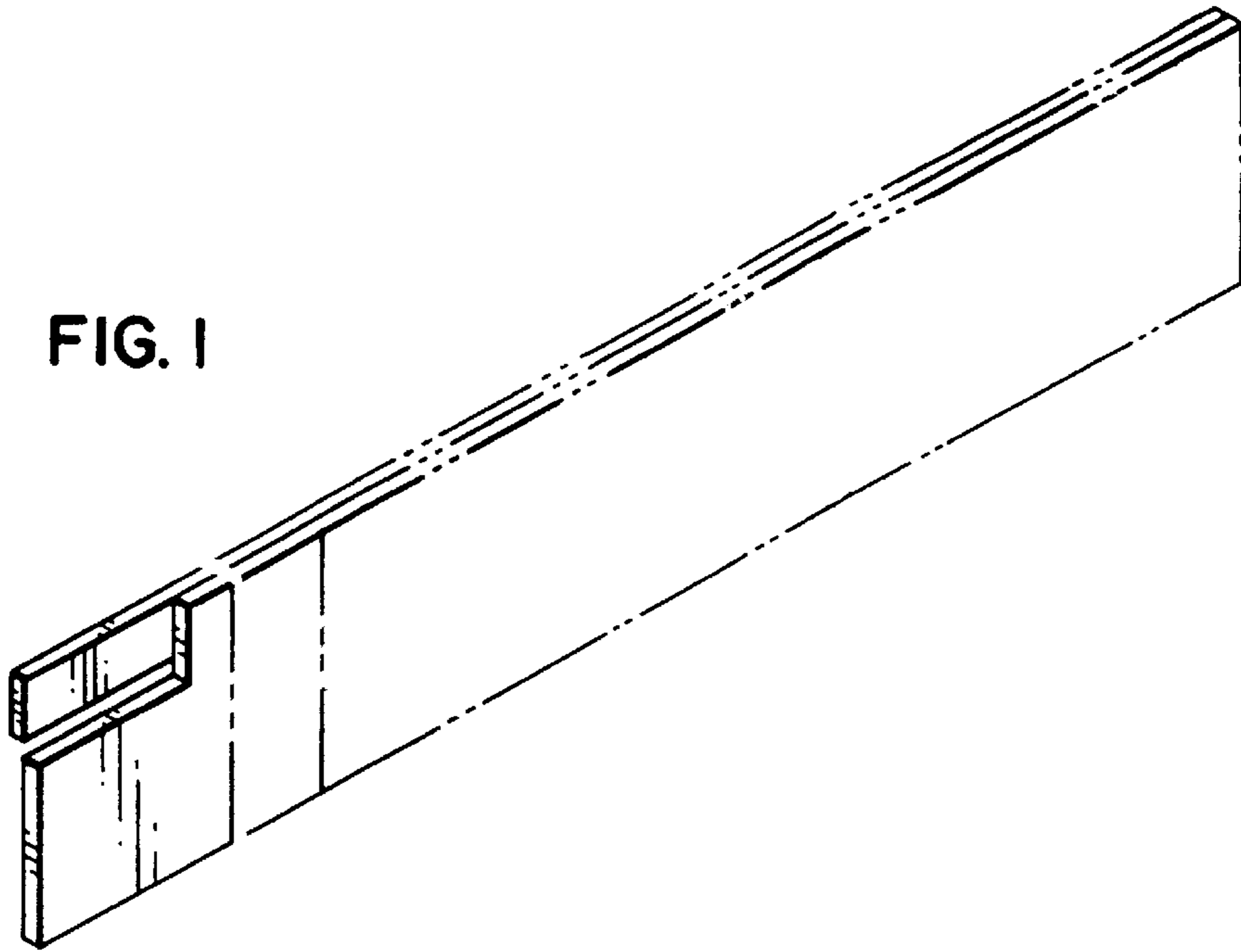


FIG. 2



FIG. 3

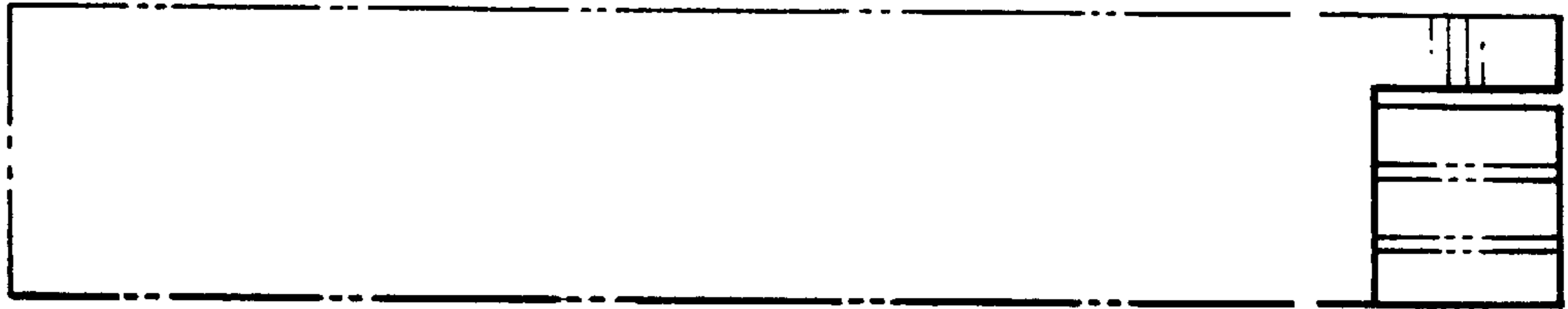


FIG. 4

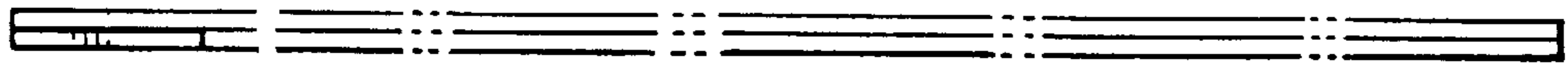


FIG. 5

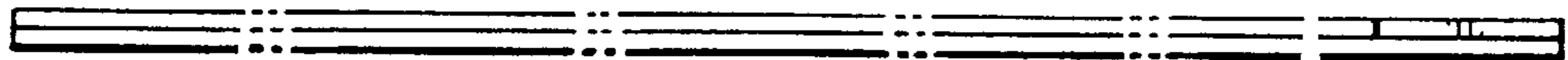


FIG. 6



FIG. 7

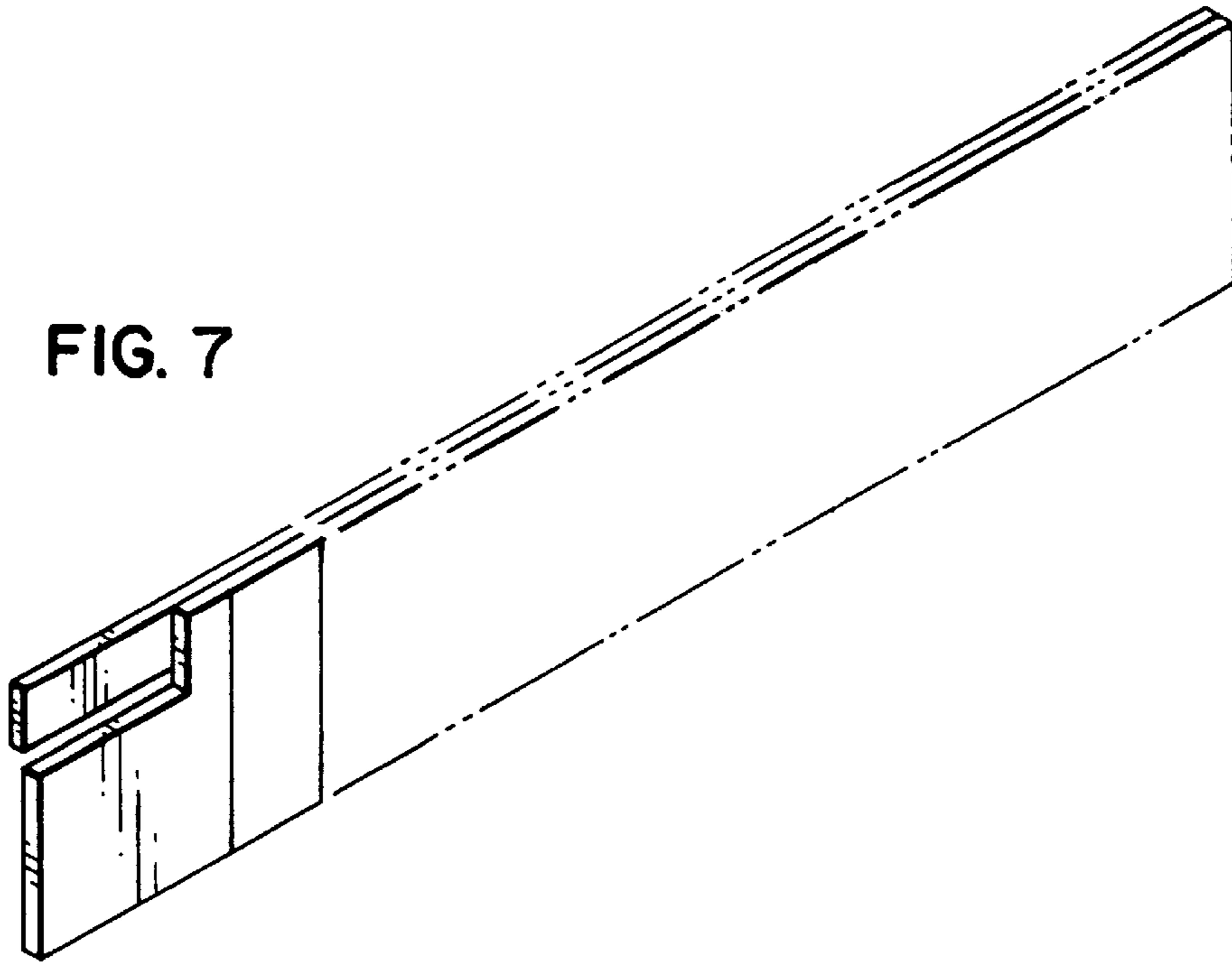


FIG. 8

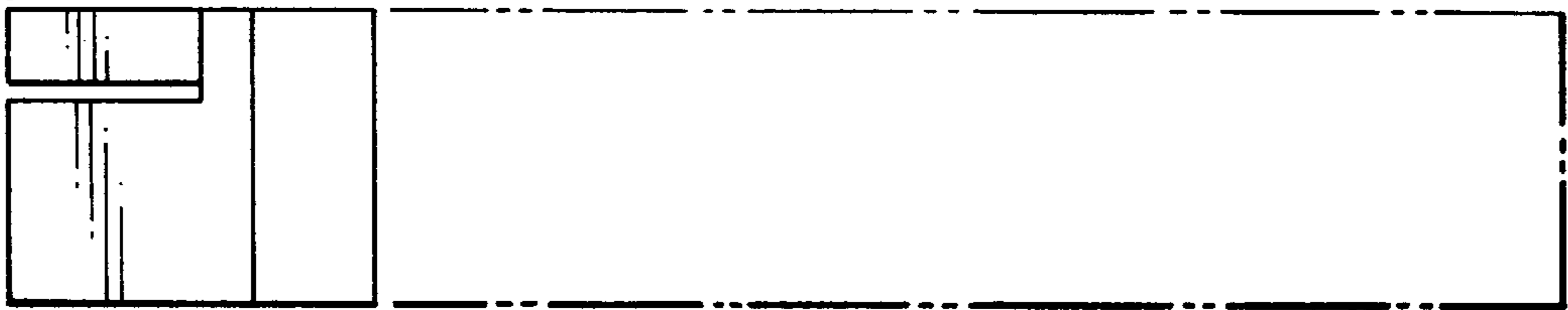


FIG. 9



FIG. 10

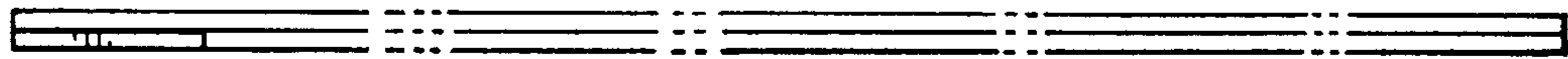


FIG. 11



FIG. 12

