



US00D450853B1

(12) **United States Design Patent**
Spalding et al.

(10) **Patent No.:** **US D450,853 S**

(45) **Date of Patent:** **** Nov. 20, 2001**

(54) **MASSAGER**

(75) **Inventors:** **Jerry E. Spalding; Jay B. Spalding,**
both of Dallas County, TX (US)

(73) **Assignee:** **U.S. Jesco Inter., Ltd., Inc.,** Carrollton,
TX (US)

(**) **Term:** **14 Years**

(21) **Appl. No.:** **29/139,485**

(22) **Filed:** **Mar. 30, 2001**

(51) **LOC (7) Cl.** **28-03**

(52) **U.S. Cl.** **D24/215; D24/214**

(58) **Field of Search** D24/211, 214,
D24/200, 215; 601/84, 85, 87, 89, 93-95,
124, 134, 135, 136, 78, 80

(56) **References Cited**

U.S. PATENT DOCUMENTS

- D. 356,162 * 3/1995 Spahr D24/215
- D. 415,838 * 10/1999 Noble D24/215

- D. 438,913 * 3/2001 Thorne et al. D21/432
- 2,038,846 * 4/1936 Matson 601/85
- 2,048,712 * 7/1936 Schramm 601/94
- 5,088,474 * 2/1992 Mabuchi et al. 601/110

* cited by examiner

Primary Examiner—Stella Reid

(74) *Attorney, Agent, or Firm*—Harry C. Post, III

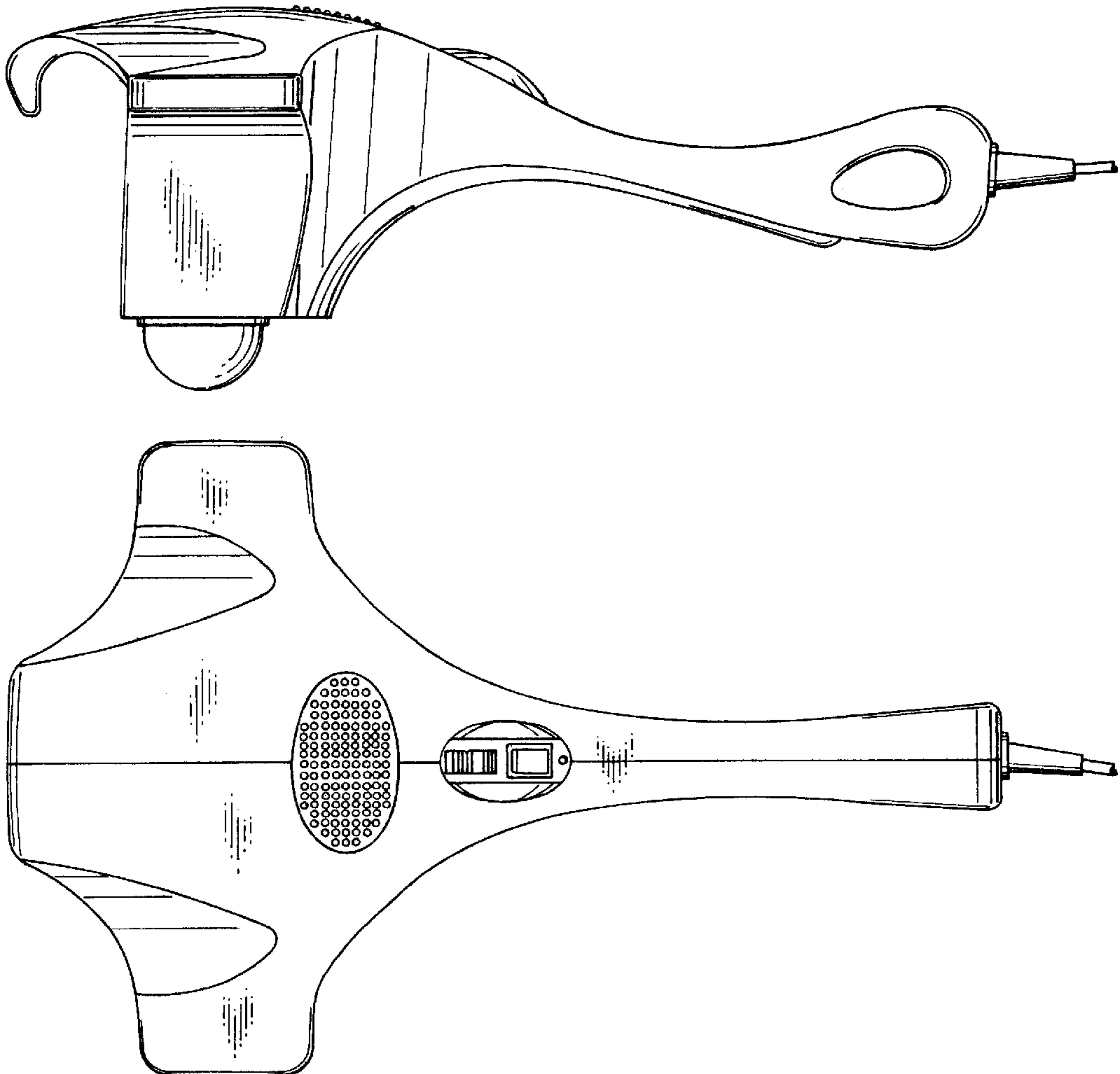
(57) **CLAIM**

We claim the ornamental design for a massager, substantially as shown and described.

DESCRIPTION

FIG. 1 is a side elevation view of a massager, showing our new design;
 FIG. 2 is a top plan view thereof;
 FIG. 3 is a bottom plan view thereof;
 FIG. 4 is a side elevation view thereof, opposite that shown in FIG. 1;
 FIG. 5 is a rear elevation view thereof; and,
 FIG. 6 is a front elevation view thereof.

1 Claim, 3 Drawing Sheets



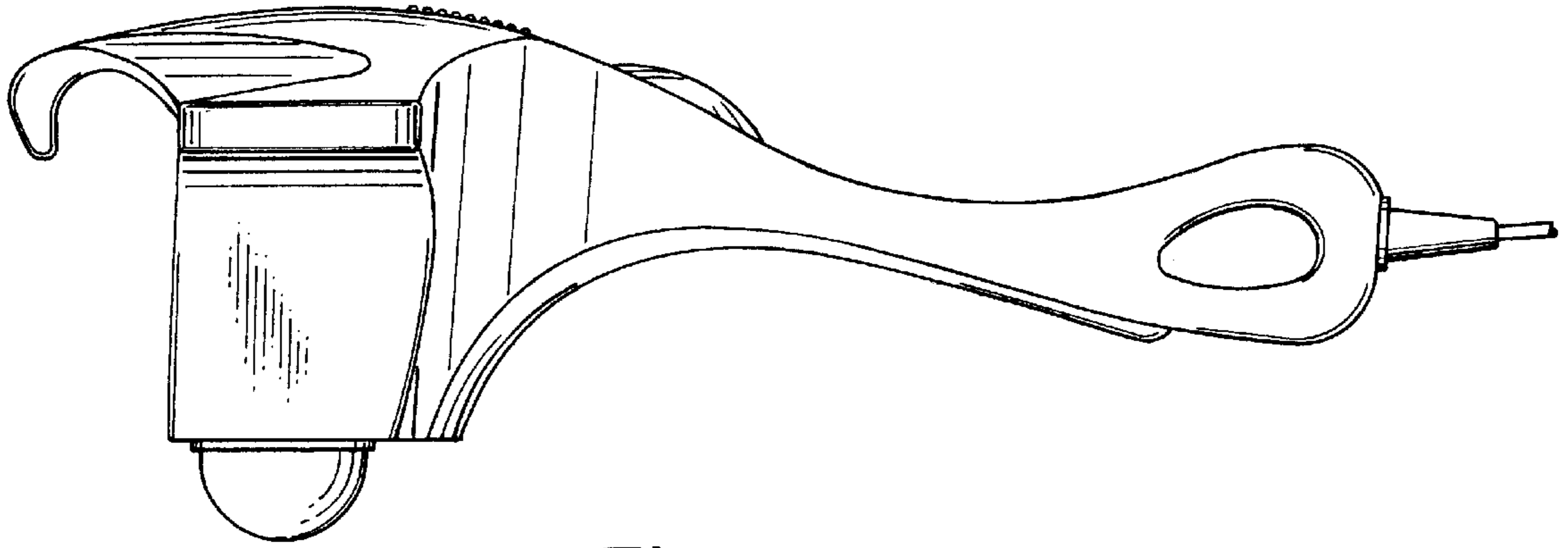


Fig. 1

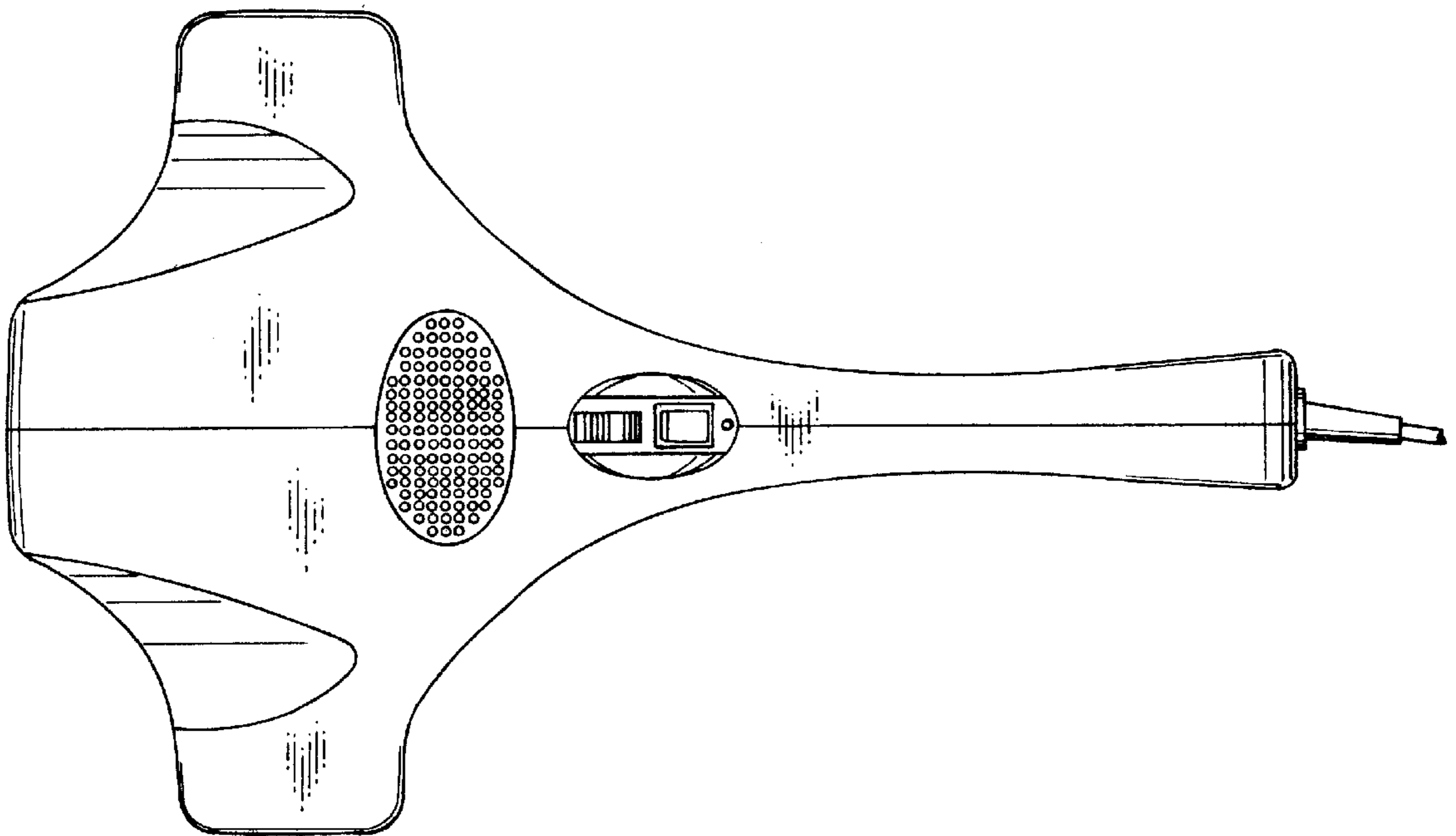


Fig. 2

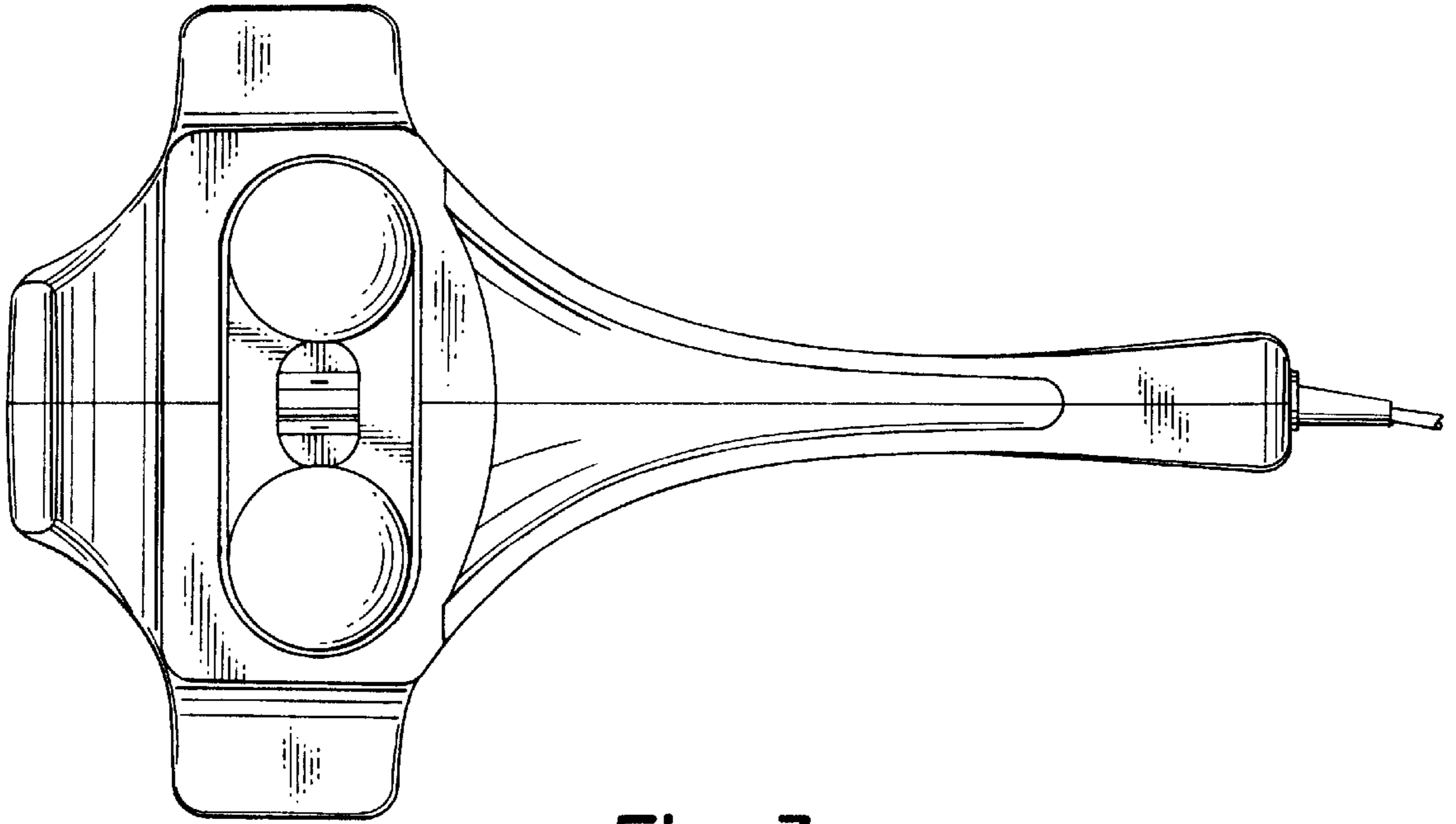


Fig. 3

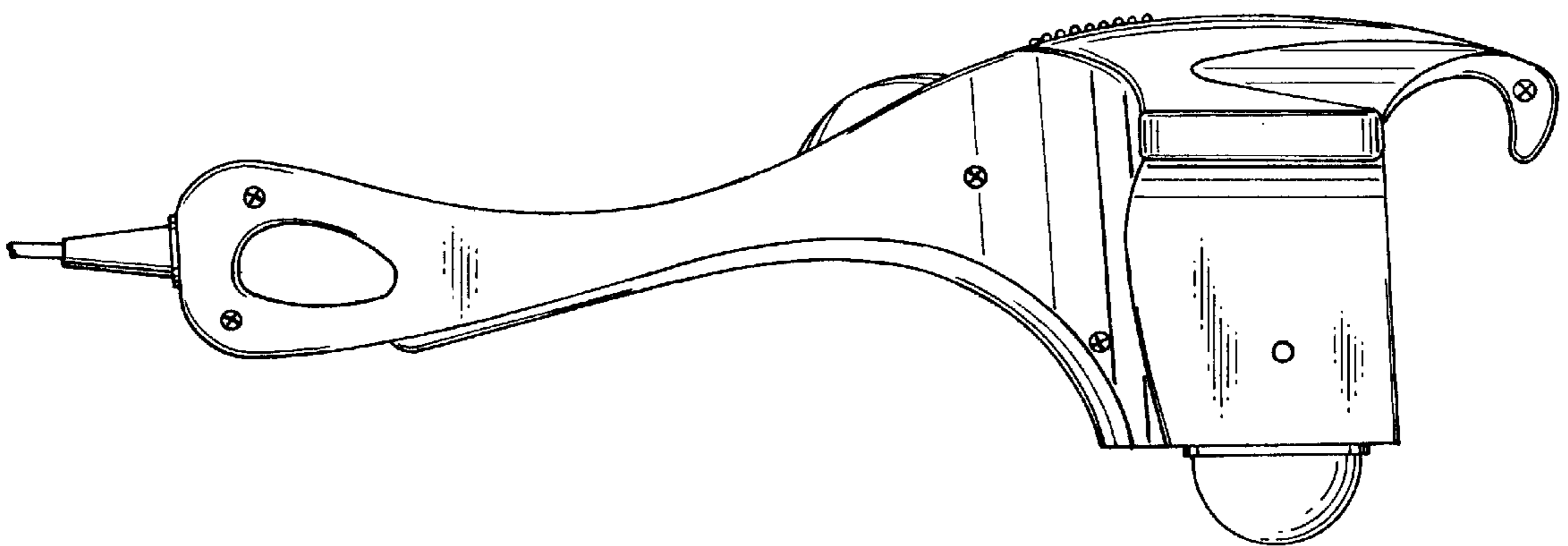


Fig. 4

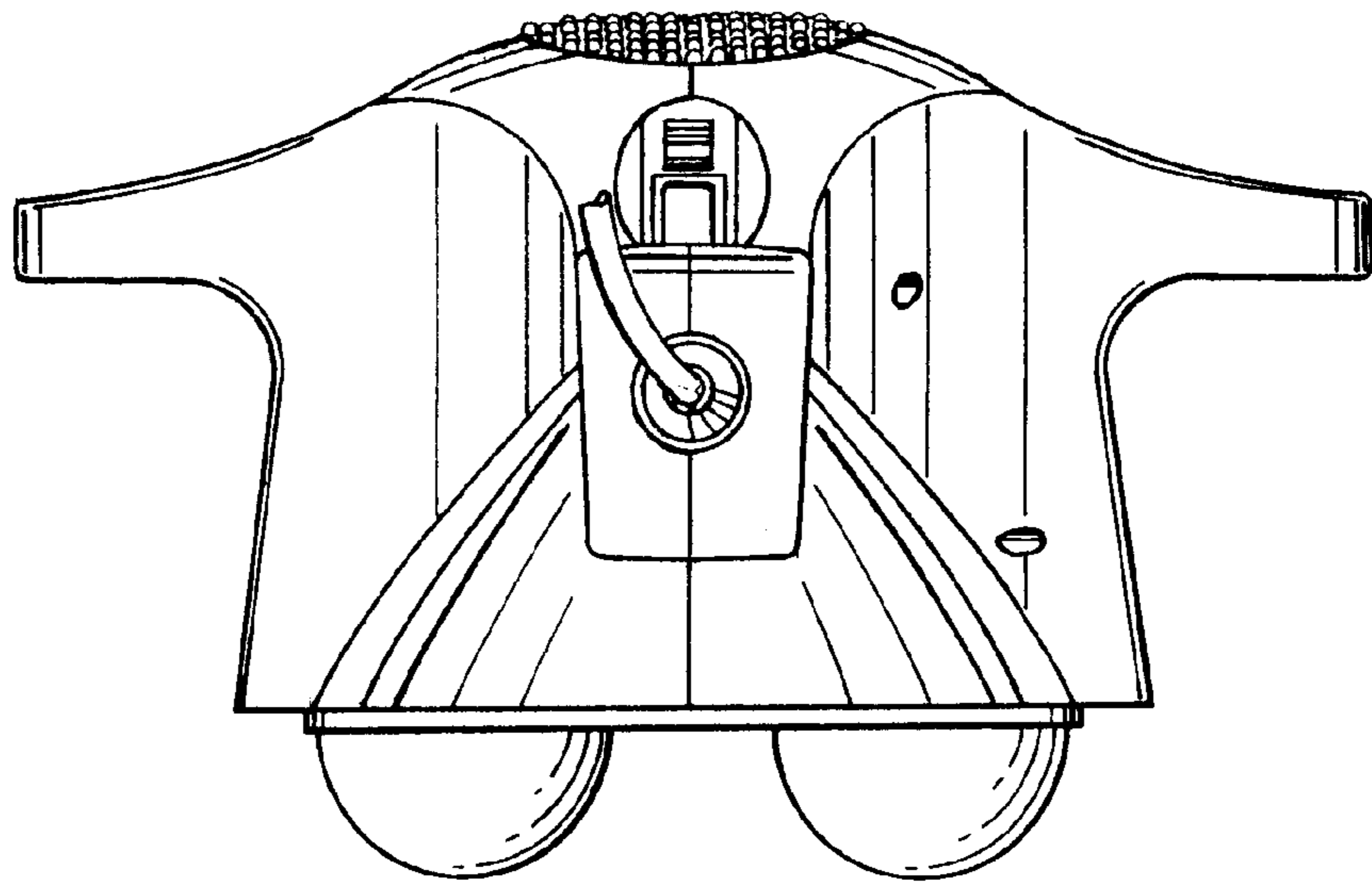


Fig. 5

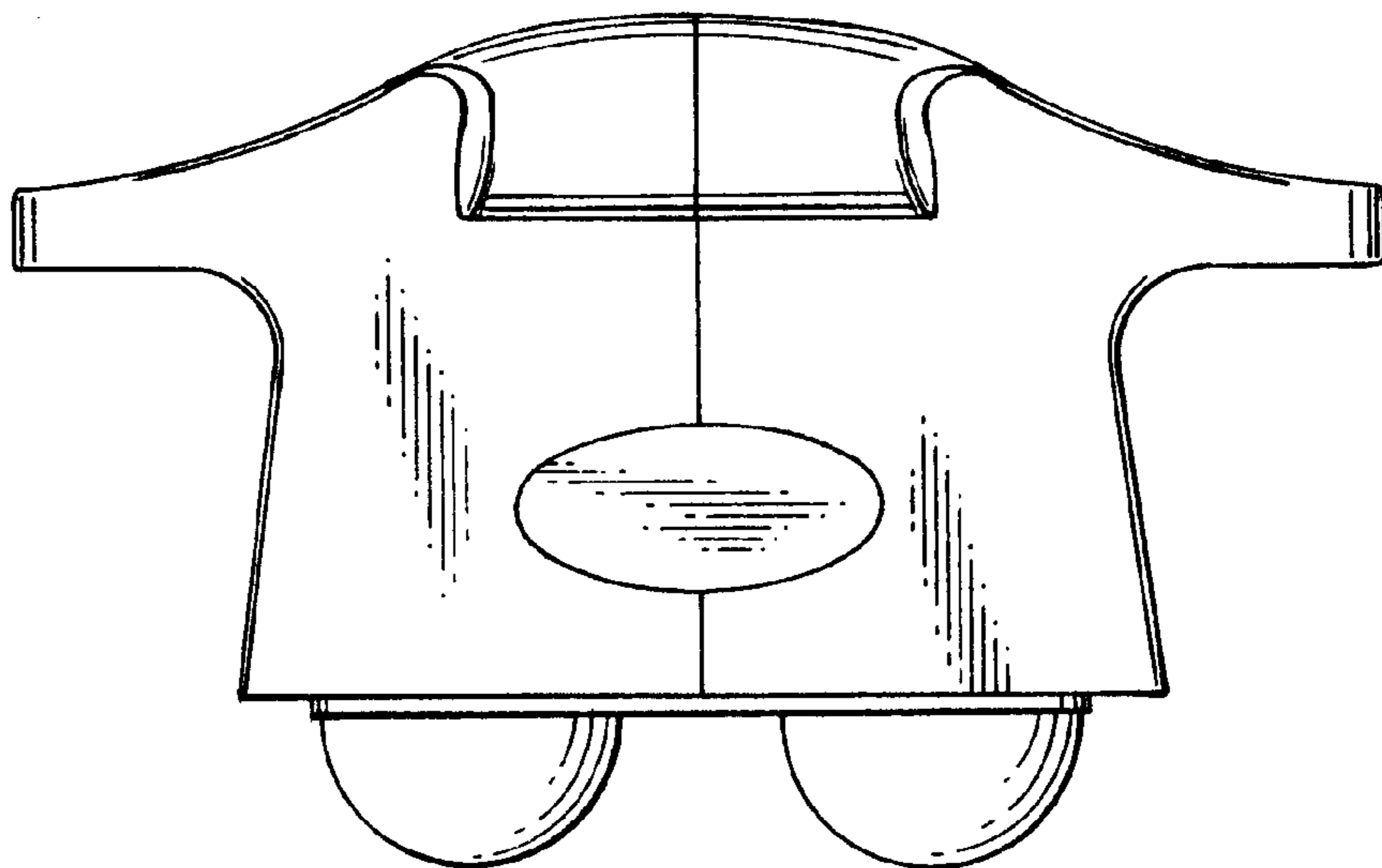


Fig. 6