



US00D450850B1

(12) **United States Design Patent**  
**Gaskell**

(10) **Patent No.:** **US D450,850 S**

(45) **Date of Patent:** **\*\* Nov. 20, 2001**

(54) **DENTAL DEVICE**

(75) Inventor: **John Gaskell, Dandenong (AU)**

(73) Assignee: **MDSA, Pty. Ltd. (AU)**

(\*\*) Term: **14 Years**

(21) Appl. No.: **29/130,664**

(22) Filed: **Oct. 6, 2000**

(30) **Foreign Application Priority Data**

Apr. 7, 2000 (AU) ..... 1134/00

(51) **LOC (7) Cl.** ..... **24-01**

(52) **U.S. Cl.** ..... **D24/180**

(58) **Field of Search** ..... D24/127, 128,  
D24/155, 156, 180, 181; 433/8, 14, 16,  
17, 15; 128/848, 859, 861; 602/902

(56) **References Cited**

**U.S. PATENT DOCUMENTS**

- 2,958,945 \* 11/1960 Waldman ..... D24/180 X
- 3,163,933 \* 1/1965 Begg et al. .... D24/180 X
- 5,427,117 6/1995 Thornton .
- 5,566,683 10/1996 Thornton .

**FOREIGN PATENT DOCUMENTS**

- 682724 4/1995 (AU) .
- 692564 1/1996 (AU) .
- WO 98/46177 10/1998 (WO) .
- WO 00/15283 3/2000 (WO) .

\* cited by examiner

*Primary Examiner*—Antoine Duval Davis

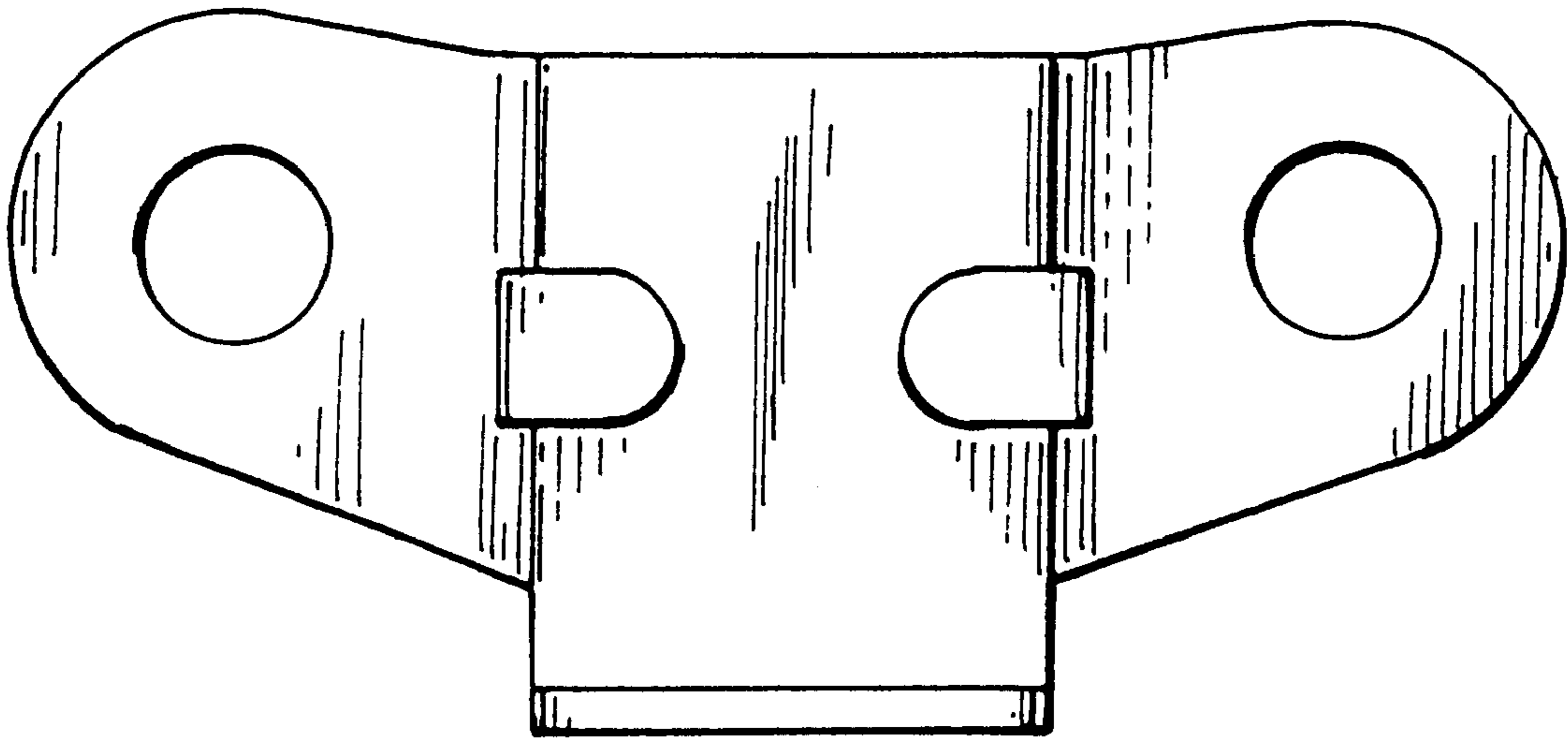
(57) **CLAIM**

The ornamental design for a dental device, as shown and described.

**DESCRIPTION**

- FIG. 1 is a top plan view thereof;
- FIG. 2 is a front view in elevation thereof;
- FIG. 3 is a side view in elevation (identical for both sides) thereof;
- FIG. 4 is a bottom plan view thereof;
- FIG. 5 is a rear view in elevation thereof;
- FIG. 6 is a top view in perspective thereof;
- FIG. 7 is a bottom view in perspective thereof; and,
- FIG. 8 is an exploded bottom view in perspective thereof.

**1 Claim, 3 Drawing Sheets**



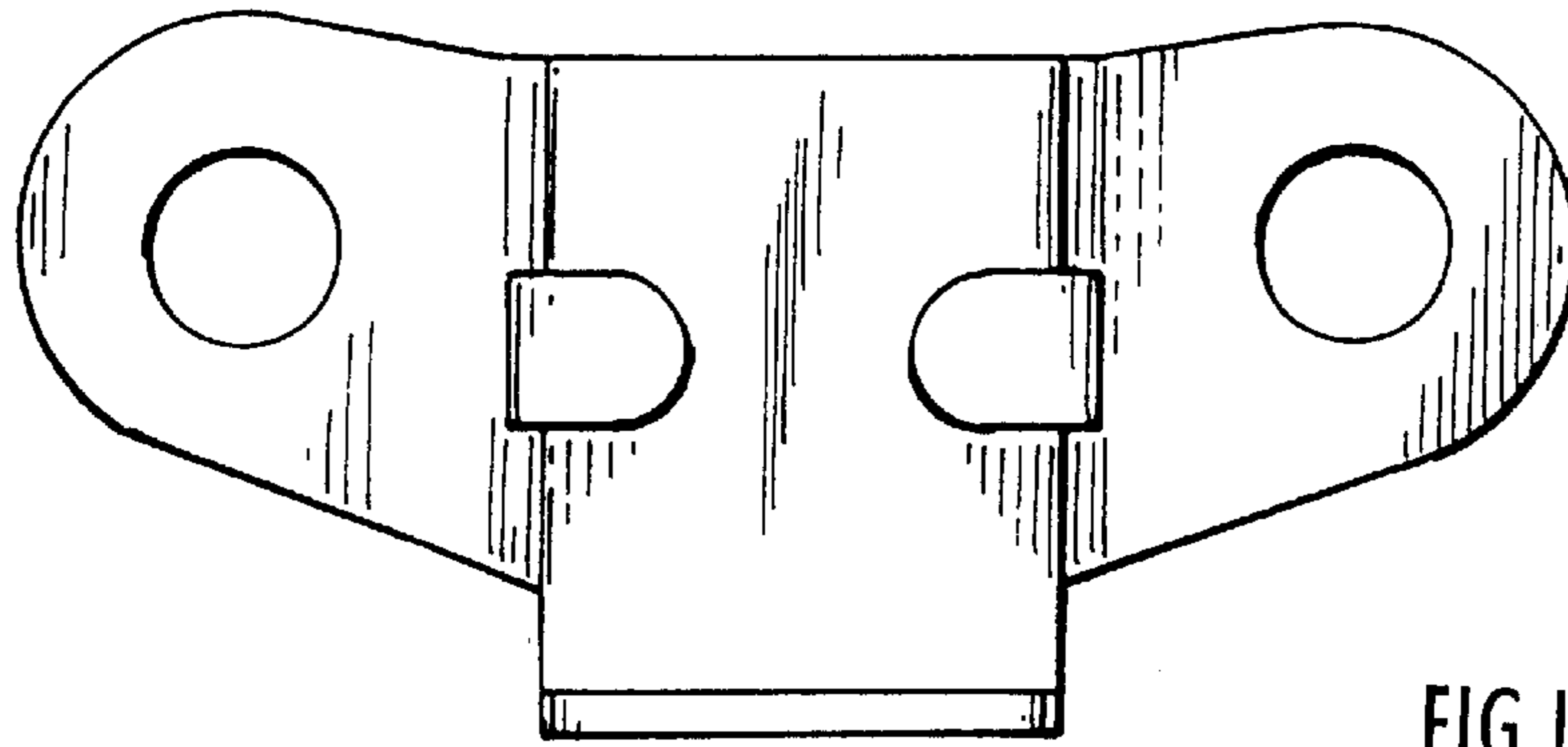


FIG. 1

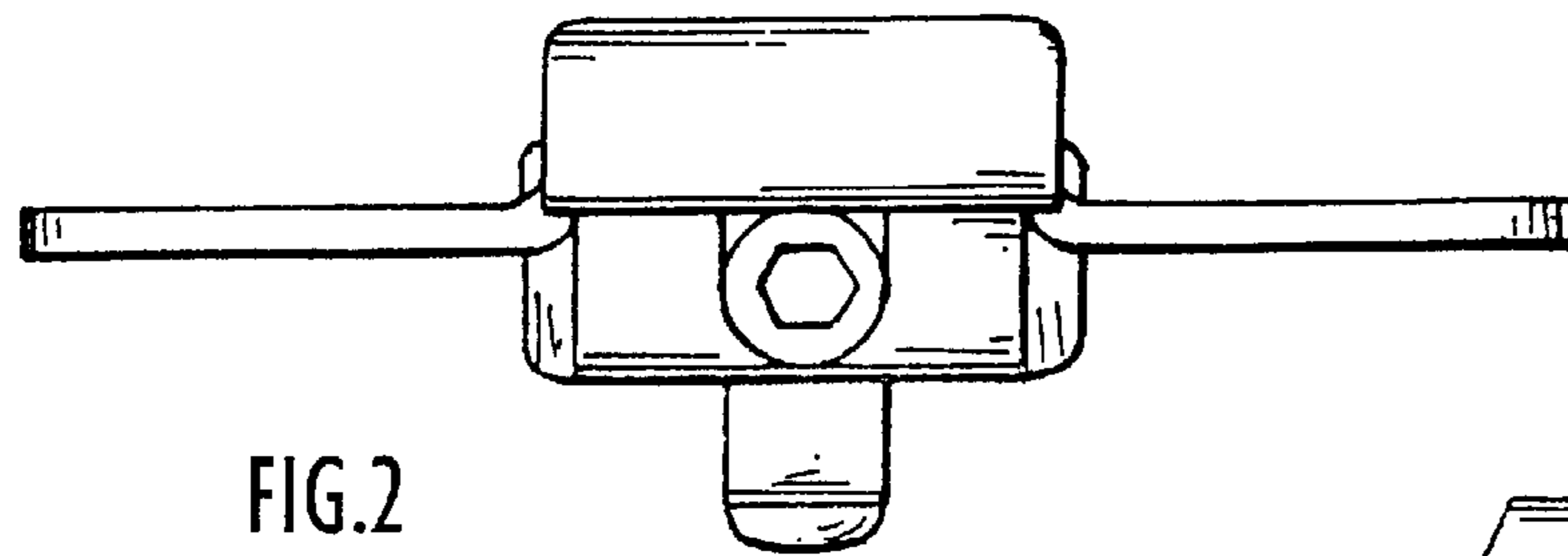


FIG. 2

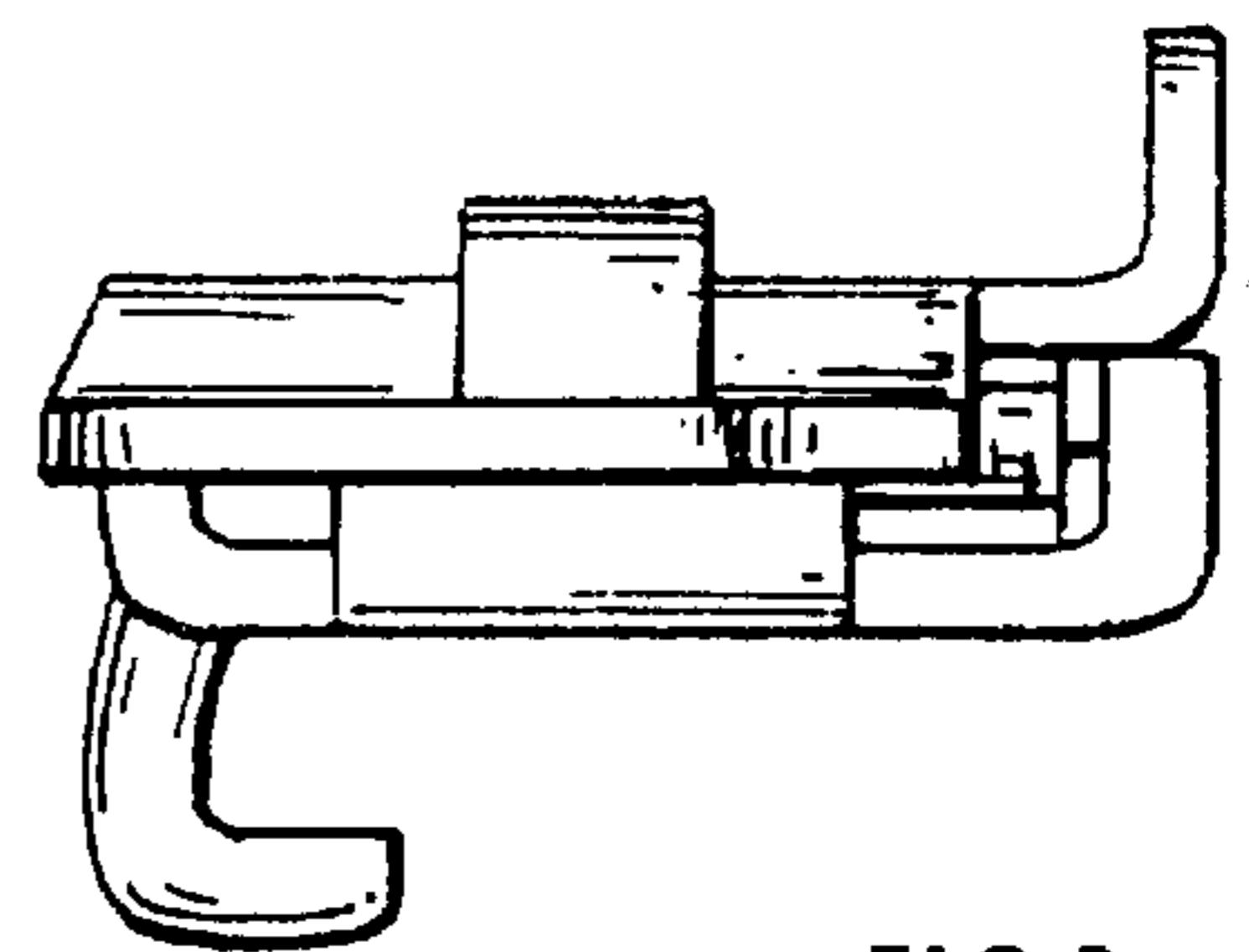


FIG. 3

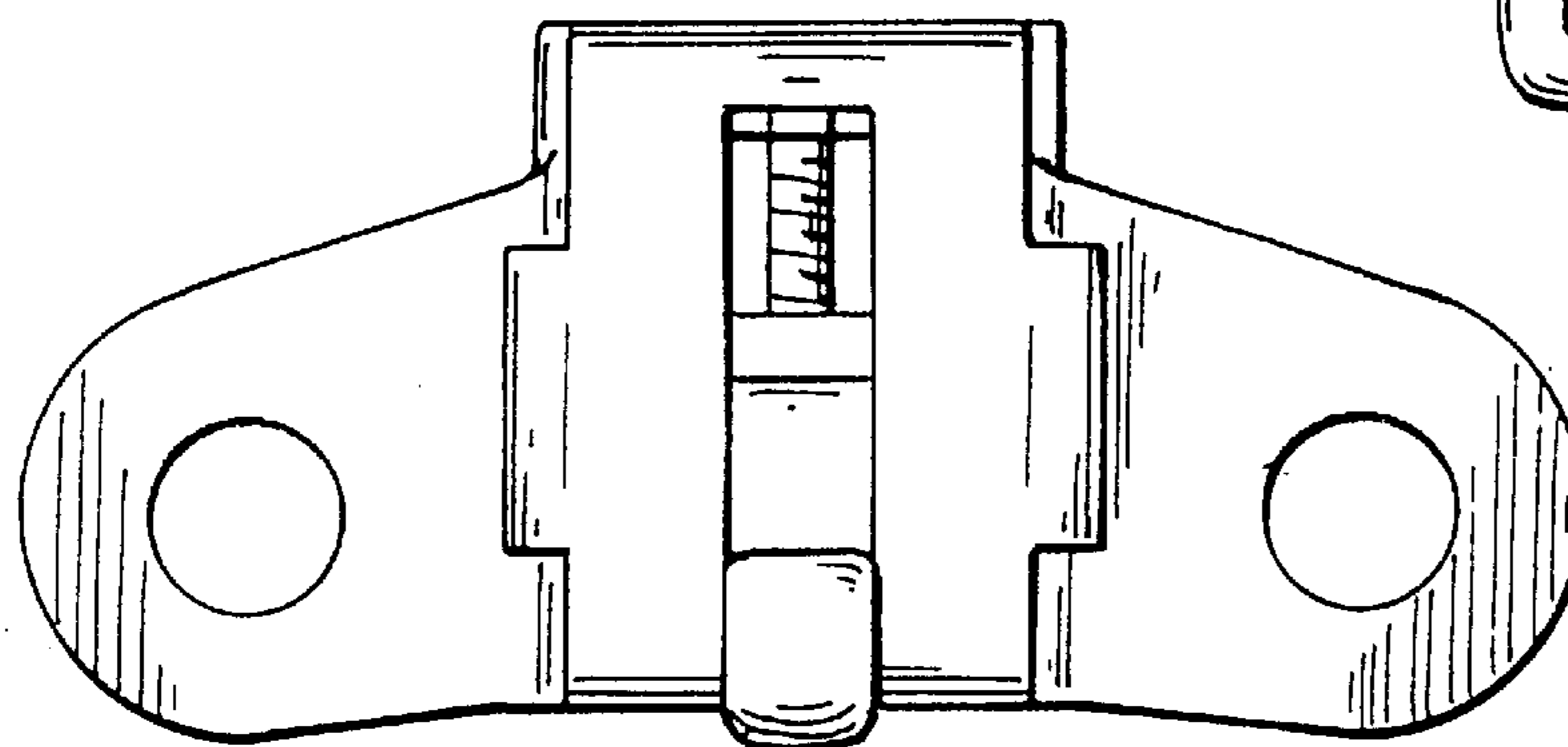


FIG. 4

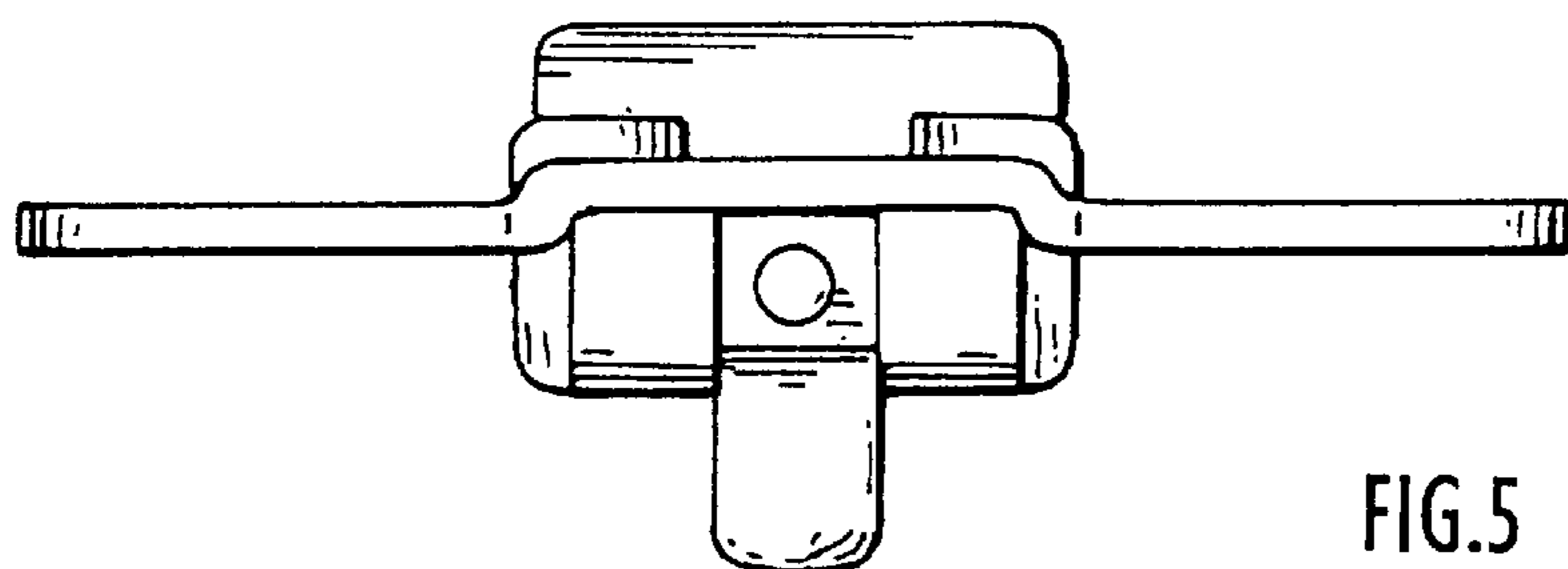


FIG. 5

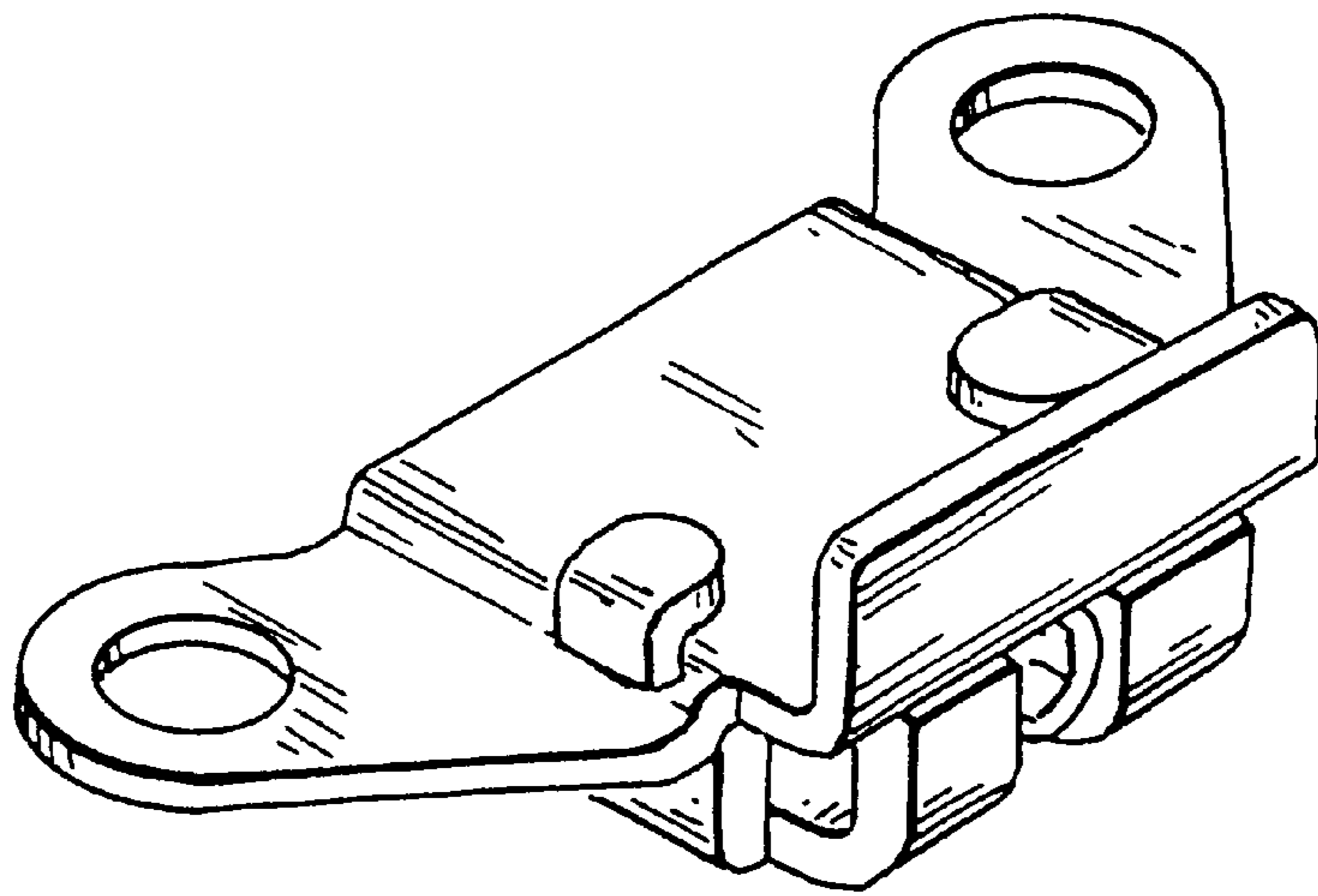


FIG. 6

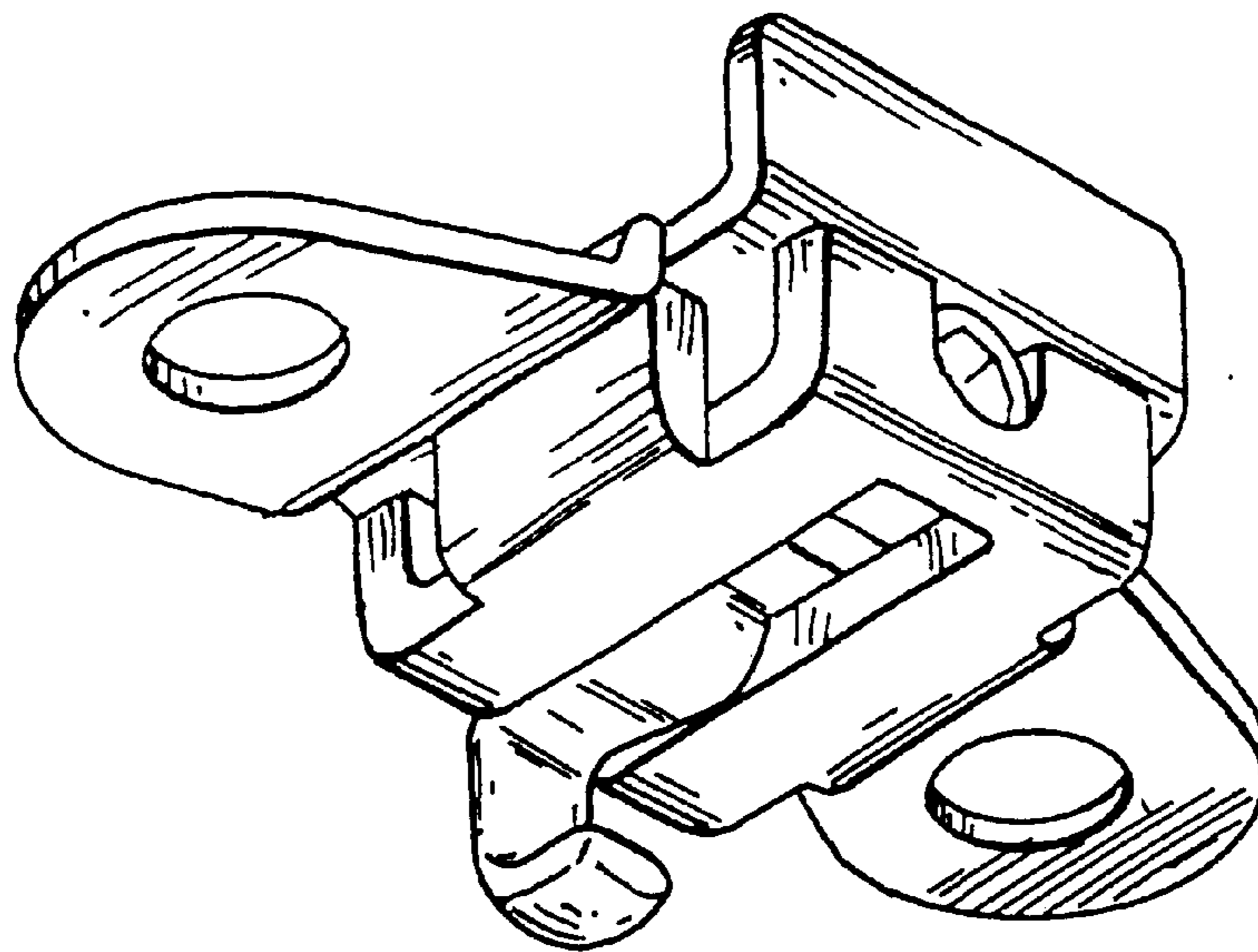


FIG. 7

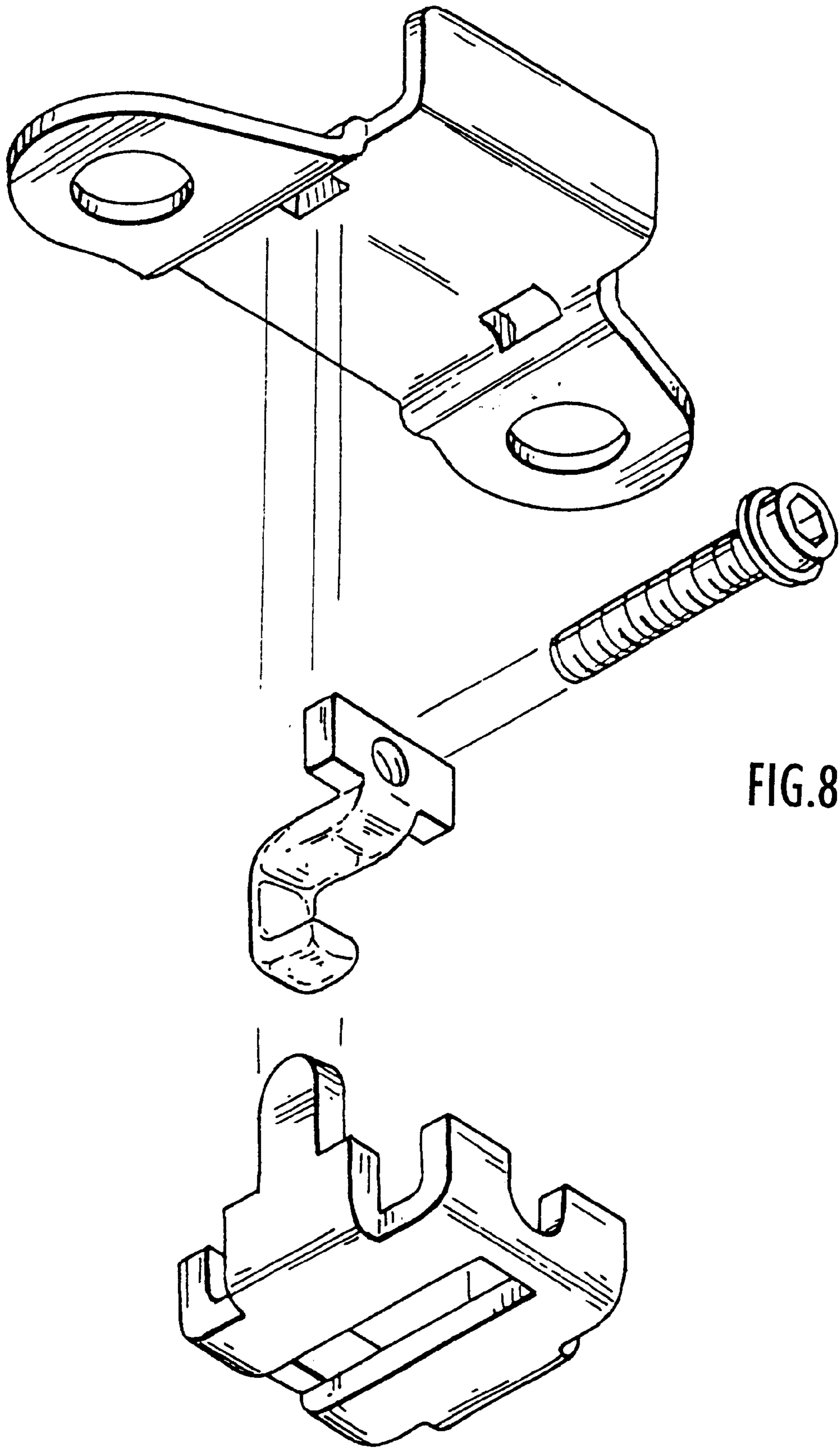


FIG.8