



US00D450848B1

(12) **United States Design Patent**
Hayashi

(10) **Patent No.:** **US D450,848 S**

(45) **Date of Patent:** **** Nov. 20, 2001**

(54) **DIGITAL X-RAY CAMERA**

5,887,049 * 3/1999 Fossum 378/98.8
5,912,942 * 6/1999 Schick et al. 378/98.8

(75) Inventor: **Hideki Hayashi**, Fujimi (JP)

* cited by examiner

(73) Assignee: **Canon Kabushiki Kaisha**, Tokyo (JP)

Primary Examiner—Stella Reid

(**) Term: **14 Years**

(74) *Attorney, Agent, or Firm*—Fitzpatrick, Cella, Harper & Scinto

(21) Appl. No.: **29/132,387**

(57) **CLAIM**

(22) Filed: **Nov. 9, 2000**

The ornamental design for a digital X-ray camera, as shown and described.

(51) **LOC (7) Cl.** **24-01**

(52) **U.S. Cl.** **D24/158**

(58) **Field of Search** D24/158; 378/98.8,
378/98.12; 250/208.1, 366, 368, 370.09,
370.11, 486.1, 580

DESCRIPTION

FIG. 1 is a front view of a digital X-ray camera, showing my new design;
FIG. 2 is a rear view thereof;
FIG. 3 is a top plan view thereof;
FIG. 4 is a bottom plan view thereof;
FIG. 5 is a left side view thereof;
FIG. 6 is a right side view thereof; and,
FIG. 7 is a perspective view thereof.

(56) **References Cited**

U.S. PATENT DOCUMENTS

D. 408,916 4/1999 Hayashi et al. D24/158
5,434,418 * 7/1995 Schick 250/370.11
5,528,043 * 6/1996 Spivey et al. 250/370.09

1 Claim, 3 Drawing Sheets

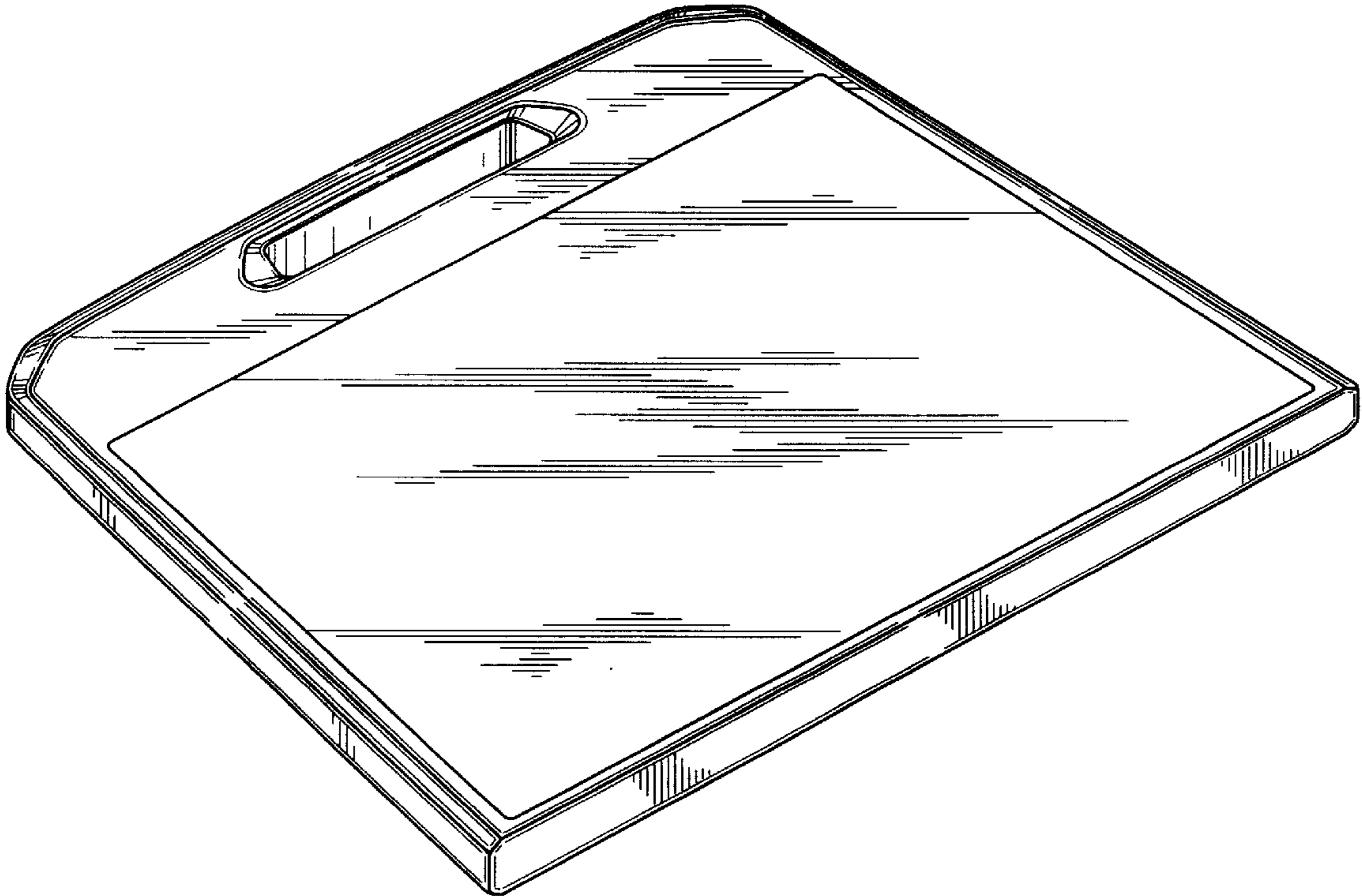


FIG. 1

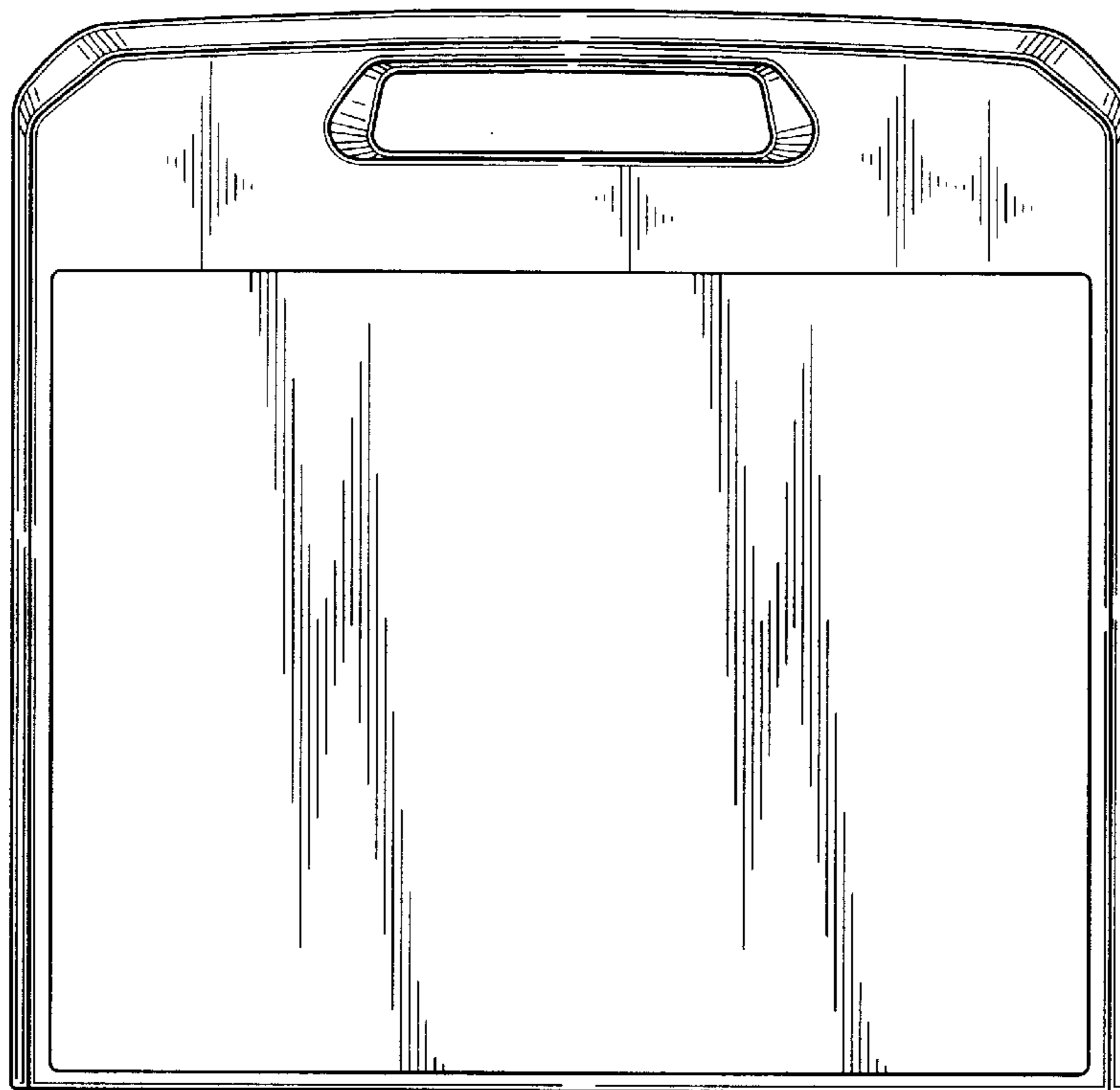


FIG. 2

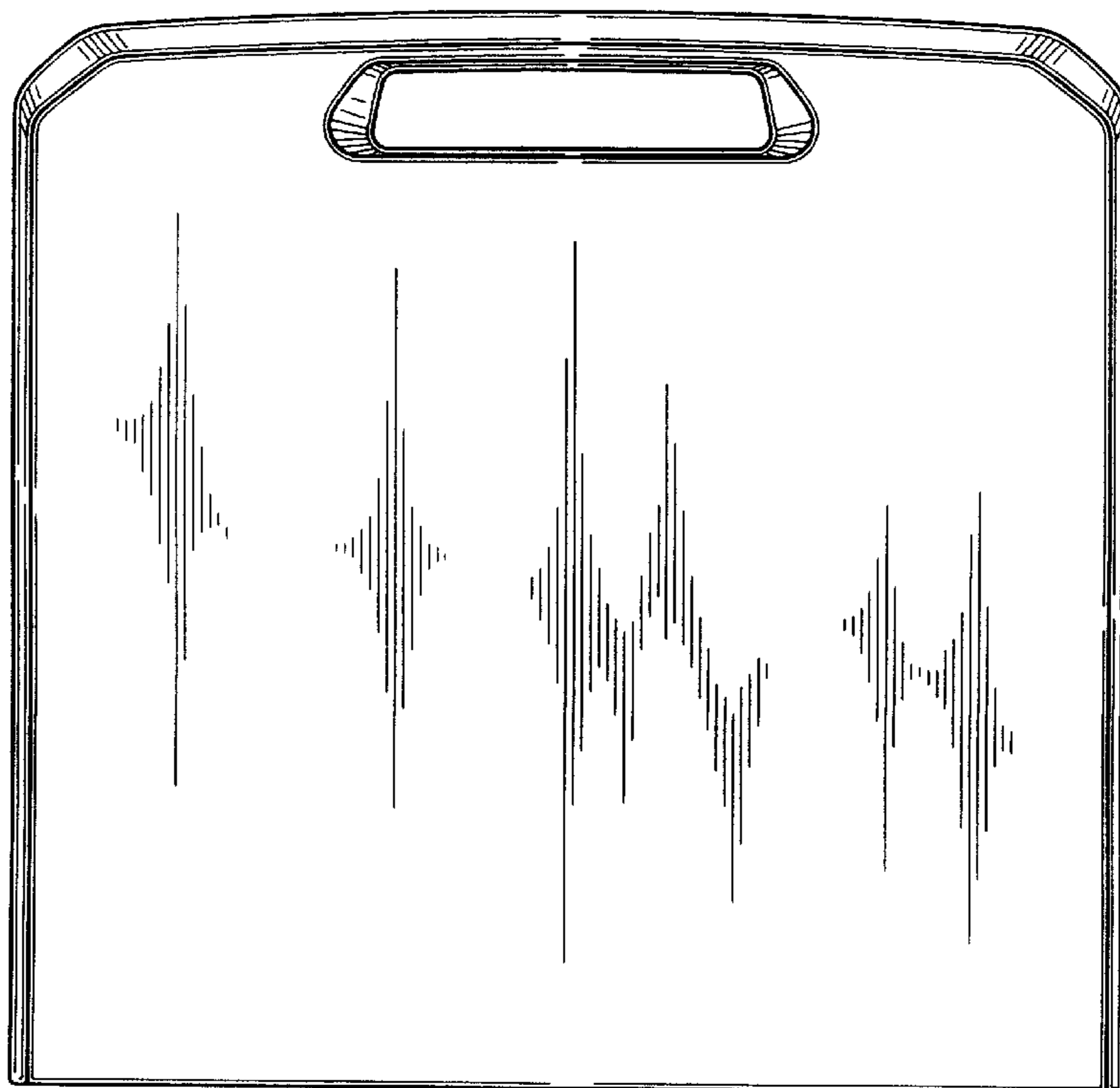


FIG. 3

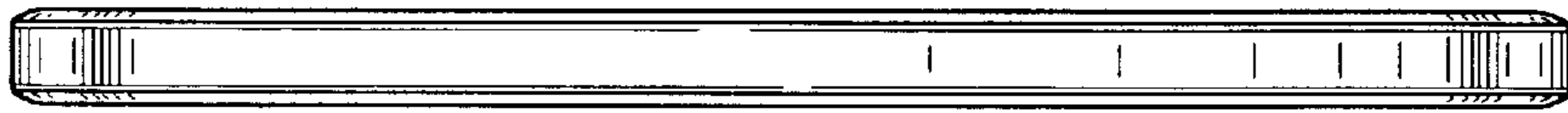


FIG. 4



FIG. 5



FIG. 6



FIG. 7

