



US00D450845B1

(12) **United States Design Patent**  
**Becker**

(10) **Patent No.:** **US D450,845 S**

(45) **Date of Patent:** **\*\* Nov. 20, 2001**

(54) **BULKHEAD END OF DENTAL HANDPIECE TUBING WITH ELECTRIC POWER FOR FIBER OPTIC CAPABILITY**

(75) Inventor: **William Becker**, Roxbury, CT (US)

(73) Assignee: **Kinetic Instruments, Inc.**, Bethel, CT (US)

(\*\*) Term: **14 Years**

(21) Appl. No.: **29/134,195**

(22) Filed: **Dec. 15, 2000**

(51) **LOC (7) Cl.** ..... **24-02**

(52) **U.S. Cl.** ..... **D24/152**

(58) **Field of Search** ..... D24/152; D13/133, D13/146; 433/29, 126; 385/59, 71, 76, 78, 82, 86, 87, 139

(56) **References Cited**

**U.S. PATENT DOCUMENTS**

D. 355,971	*	2/1995	Meller	.....	D24/152
4,140,366	*	2/1979	Makuch et al.	.....	385/58
4,325,606	*	4/1982	Kinoshita et al.	.....	358/76
4,477,252	*	10/1984	Lieb et al.	.....	433/29
5,033,960	*	7/1991	Heil	.....	433/29
5,039,304	*	8/1991	Heil	.....	433/126
5,165,503	*	11/1992	Hoffman	.....	184/55.1
5,302,123	*	4/1994	Bechard	.....	433/104

5,716,210 \* 2/1998 Novak ..... 433/82

\* cited by examiner

*Primary Examiner*—Joel Sincavage

(74) *Attorney, Agent, or Firm*—Levisohn, Lerner, Berger & Langsam

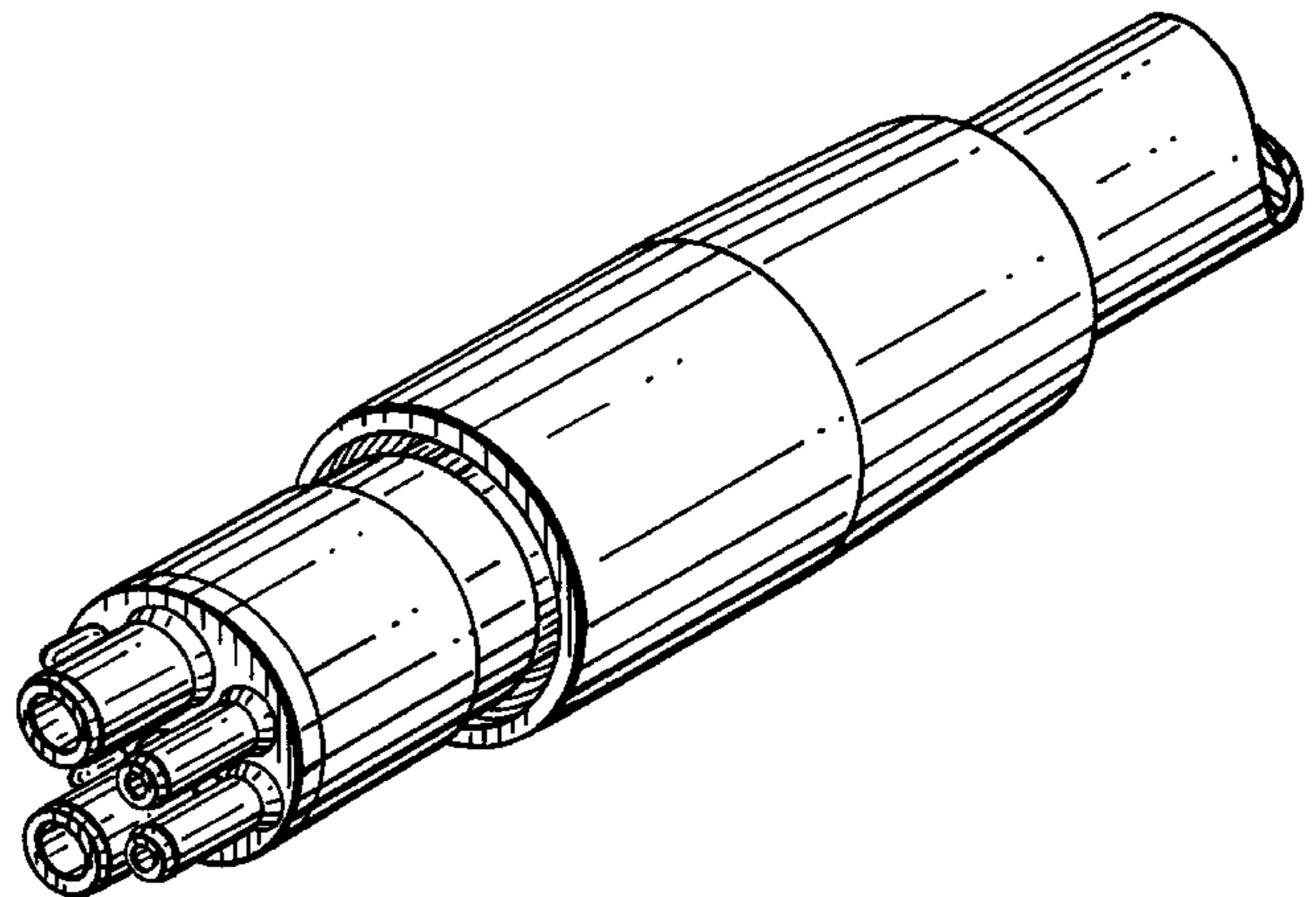
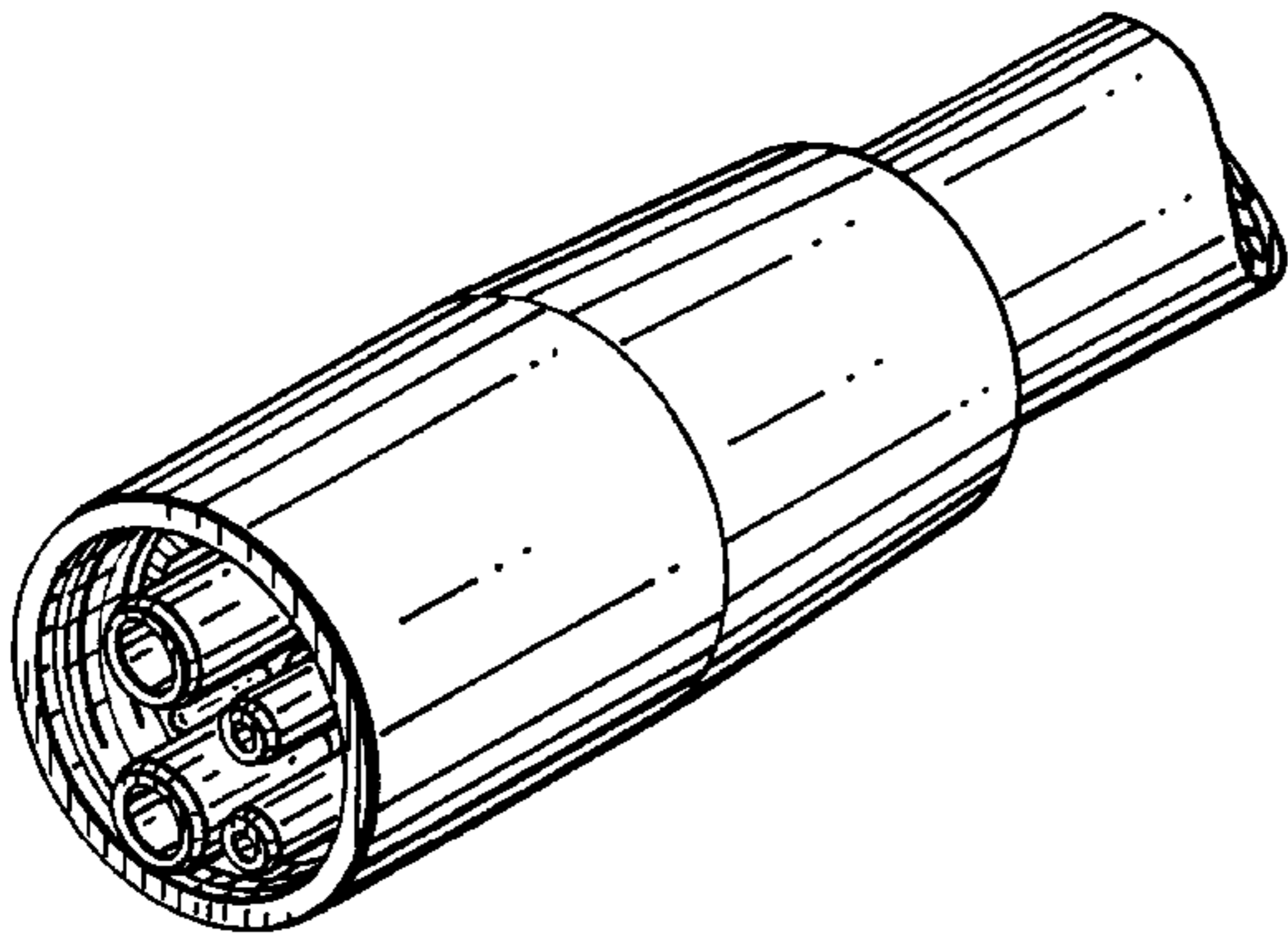
(57) **CLAIM**

A bulkhead end of dental handpiece tubing with electric power for fiber optic capability, as shown and described.

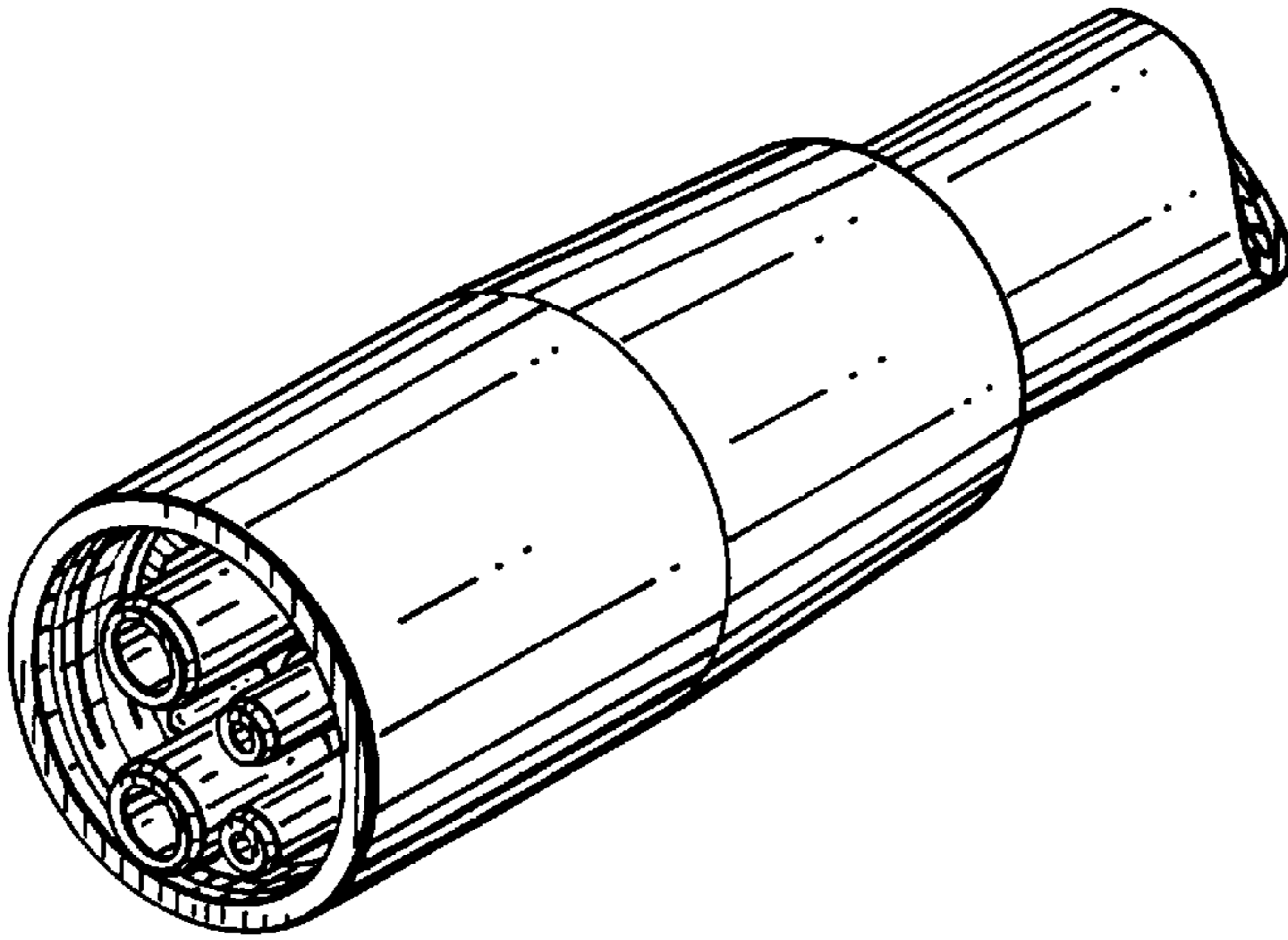
**DESCRIPTION**

FIG. 1 is a perspective view of the present invention, showing a short length only, of the handpiece tubing; FIG. 2 is a side view of the present invention, the opposite side being a mirror image thereof; FIG. 3 is a front view of the present invention; FIG. 4 is a top view of the present invention, with the bottom view being a mirror image thereof; and, FIG. 5 is a perspective view of the present invention with the sliding hose nut withdrawn as it would be during installation of the device. This is for illustration and a more effective disclosure of the device. The bulkhead end of the dental handpiece tubing is connected to a correspondingly designed and matched end located at a dental unit for supplying electric power, air and water from the dental unit, through the tubing, to a dental handpiece of the fiber optic type.

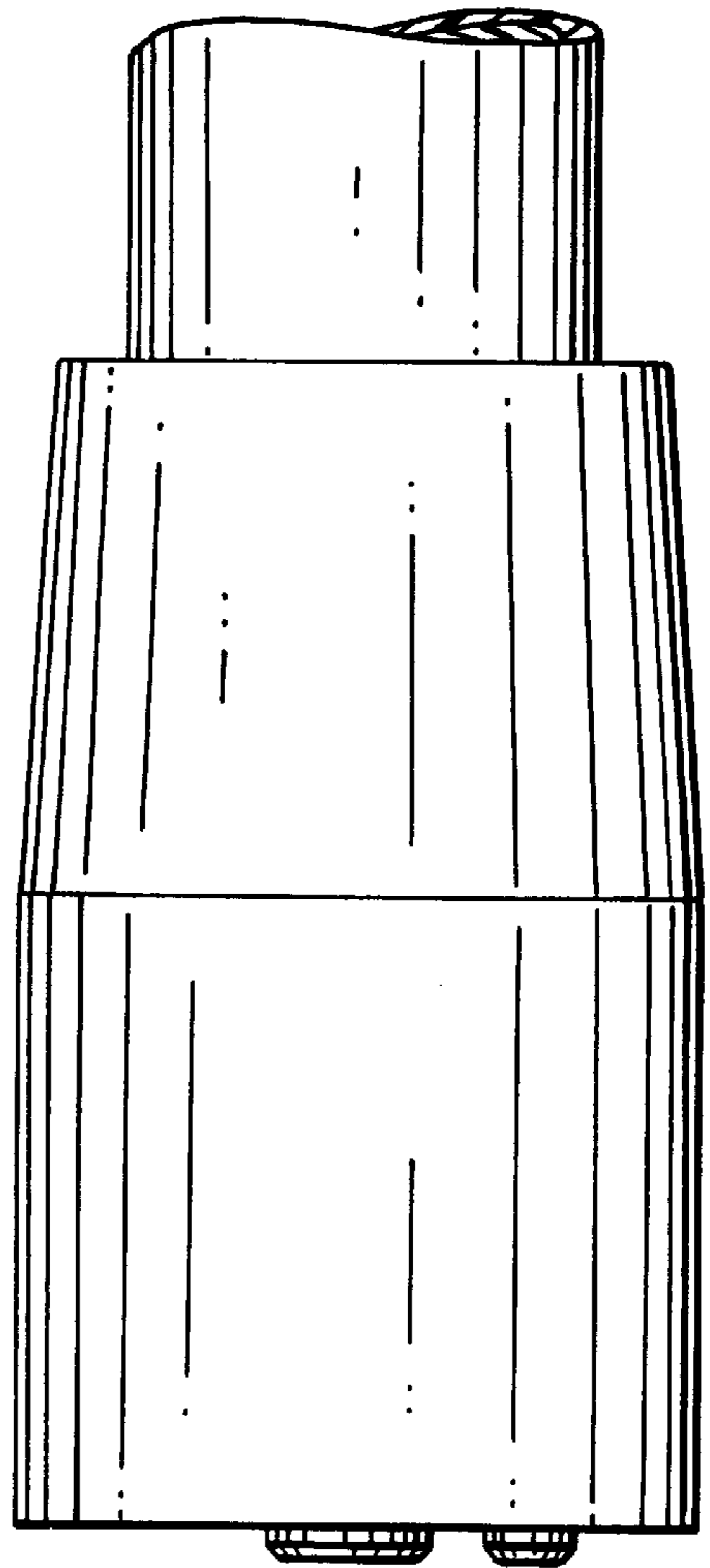
**1 Claim, 2 Drawing Sheets**



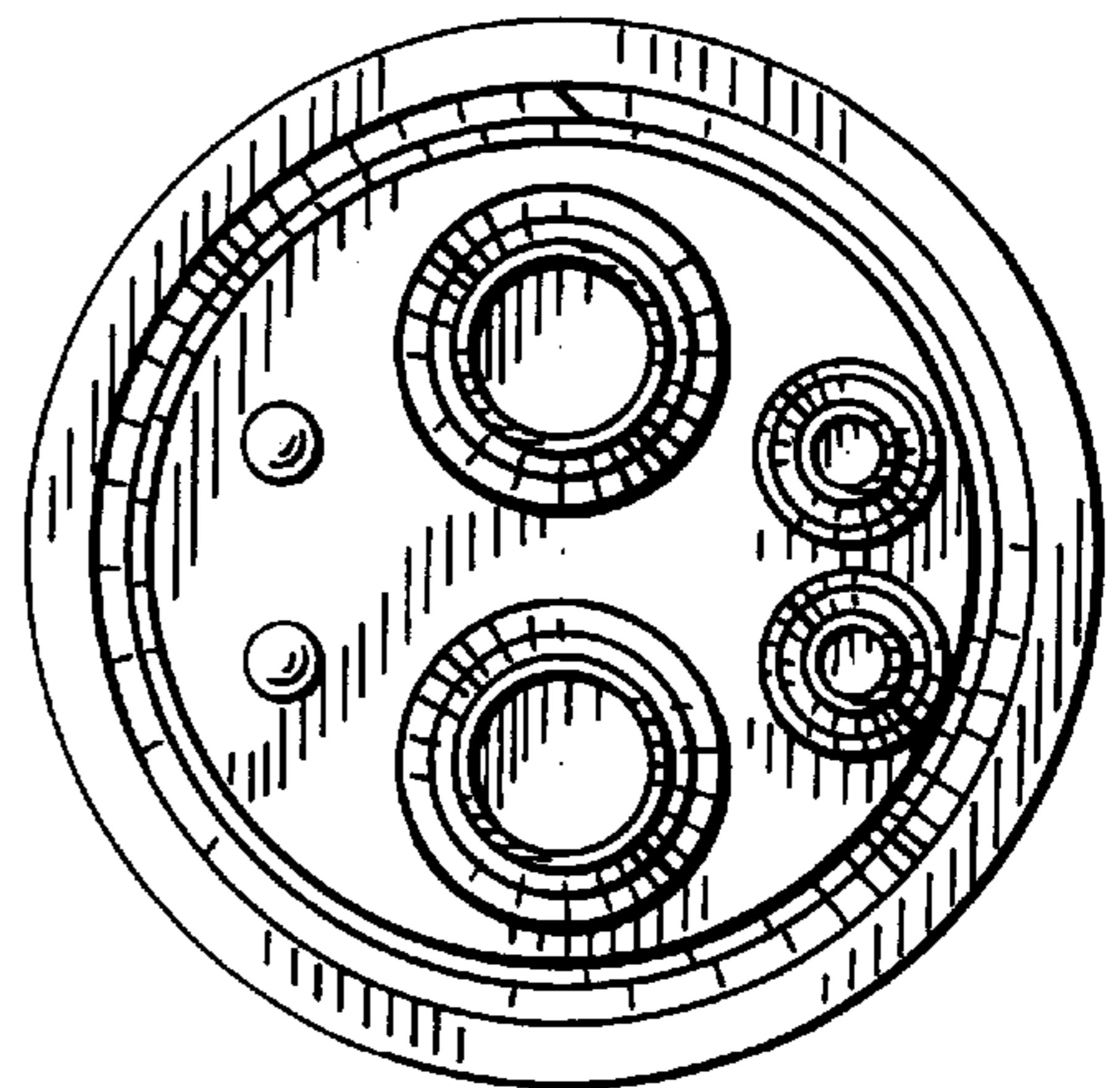
*FIG. 1*

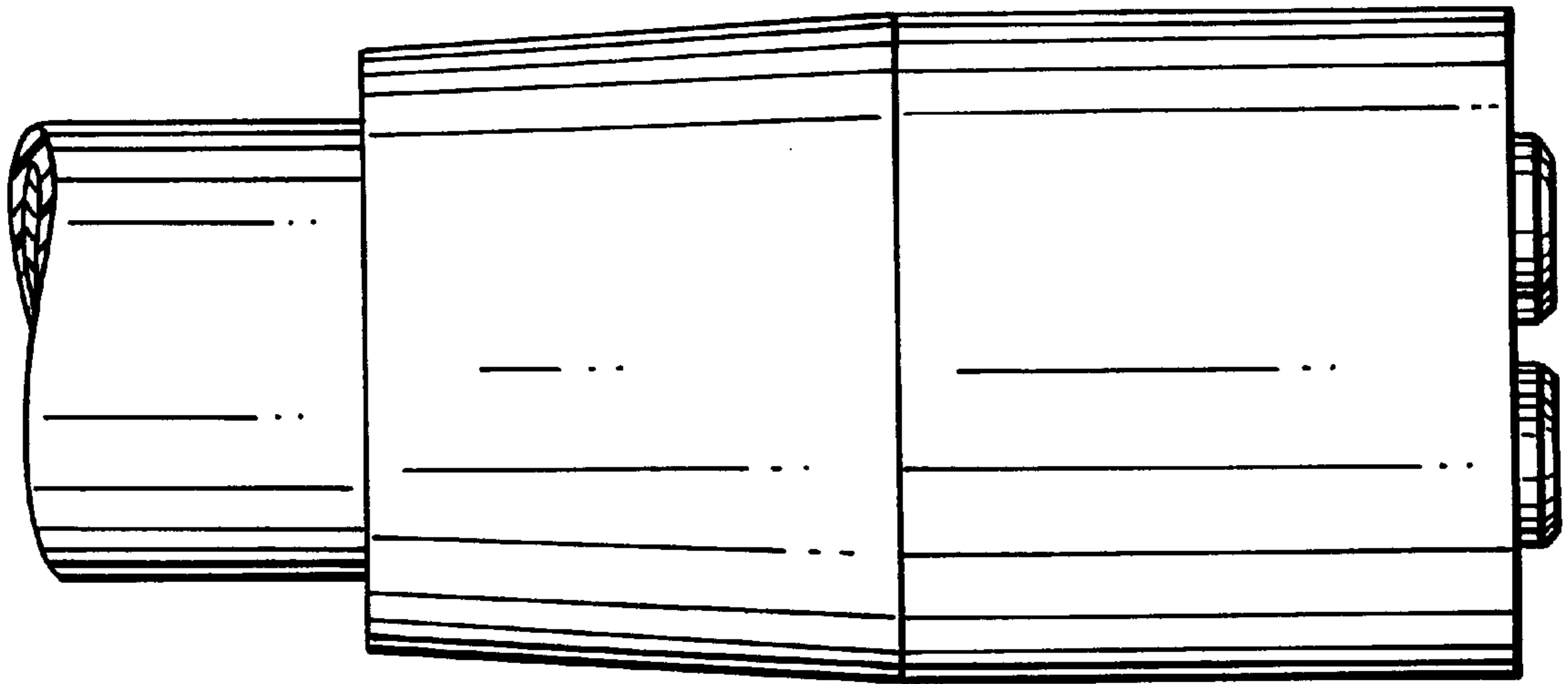


*FIG. 2*

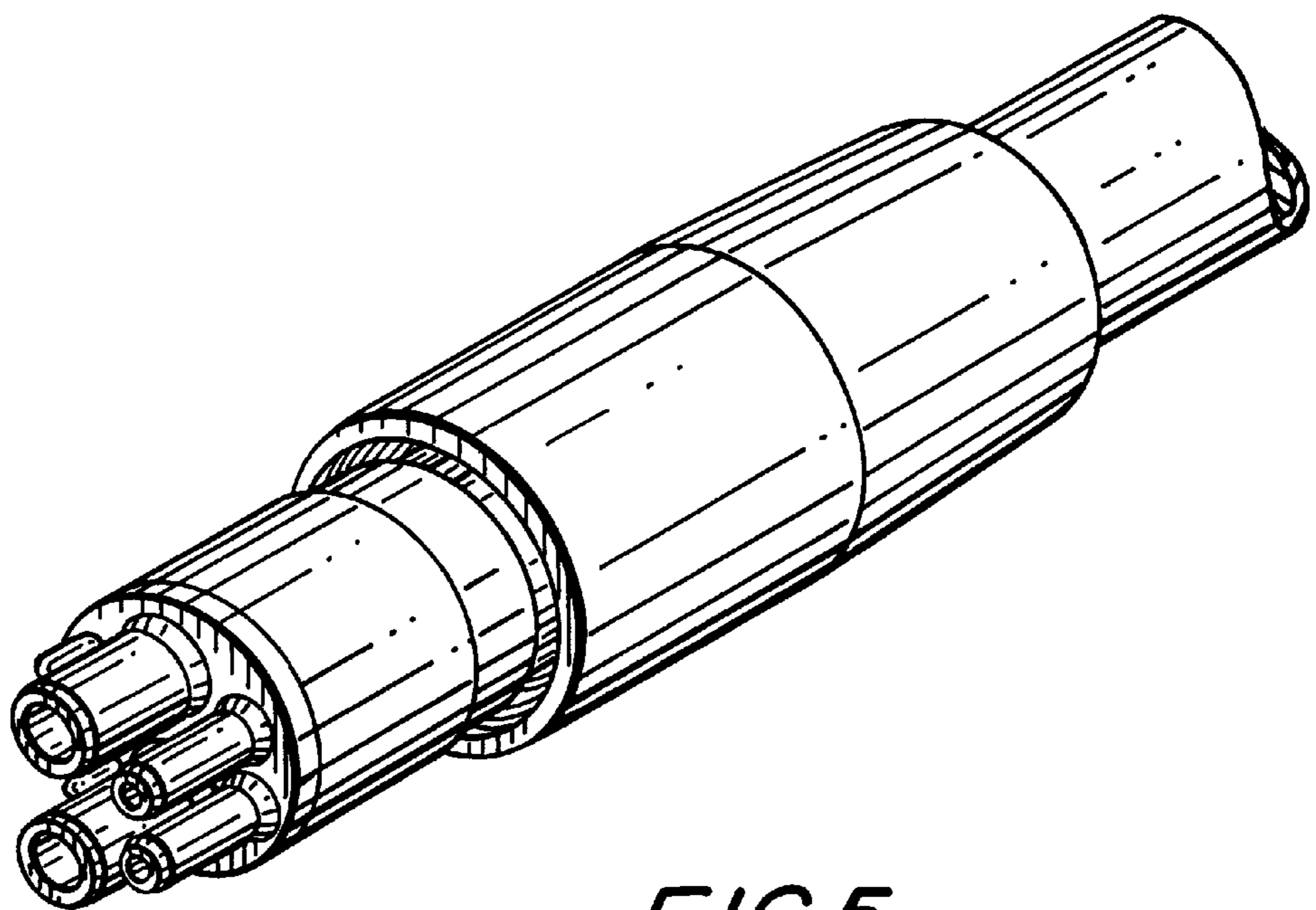


*FIG. 3*





*FIG. 4*



*FIG. 5*