



US00D450842B1

(12) **United States Design Patent**
Simon et al.

(10) **Patent No.: US D450,842 S**

(45) **Date of Patent: ** Nov. 20, 2001**

(54) **DERMABRASION SYSTEM**

(75) Inventors: **Eric M. Simon; Randall D. Block,**
both of Salt Lake City, UT (US)

(73) Assignee: **Dynatronics Corporation,** Salt Lake
City, UT (US)

(**) Term: **14 Years**

(21) Appl. No.: **29/119,496**

(22) Filed: **Feb. 28, 2000**

(51) **LOC (7) Cl. 24-02**

(52) **U.S. Cl. D24/146**

(58) **Field of Search D24/133, 146,**
D24/144; 606/131, 130, 159; 600/569,
562, 568

(56) **References Cited**

U.S. PATENT DOCUMENTS

D. 441,863	*	5/2001	Khalaj et al.	D24/133
2,608,032		8/1952	Garver	51/11
2,921,585		1/1960	Schumann	128/355

(List continued on next page.)

FOREIGN PATENT DOCUMENTS

3421390 A1	12/1985	(DE) .
234608 A1	4/1986	(DE) .
410 684 A1	8/1992	(DE) .
9215436	3/1994	(DE) .
0035040 A1	9/1981	(EP) .
0143617 A2	6/1985	(EP) .
0258901 A2	3/1988	(EP) .
0564392 A2	10/1993	(EP) .
0806184 A1	11/1997	(EP) .
1.136.127	5/1957	(FR) .
553076	12/1956	(IT) .
1184922	10/1987	(IT) .
WO 97/11650	4/1997	(WO) .
WO 99/07439	2/1999	(WO) .
WO 99/20336	4/1999	(WO) .
WO 99/23951	5/1999	(WO) .

OTHER PUBLICATIONS

English language abstract for German Patent No. DE 4102684 A1, listed above.

English language abstract for German Patent No. DD 234608 A1, listed above.

English language abstract for German Patent No. DE 3421390 A1, listed above.

SoundSkin Corporation, "Smart Peel Skin Exfoliation System" (1998, U.S.A.).

Silhouet-Tone (U.S.A.) Ltd., "Micro Peel" (U.S.A.).

(List continued on next page.)

Primary Examiner—Ian Simmons

(74) *Attorney, Agent, or Firm*—Kirton & McConkie; Berne S. Broadbent; Keith Hargrove

(57) **CLAIM**

The ornamental design for a dermabrasion system, as shown and described.

DESCRIPTION

FIG. 1 illustrates a perspective view of the dermabrasion system in accordance with the present invention;

FIG. 2 illustrates a back perspective view opposite that of FIG. 1;

FIG. 3 illustrates a front plan view of the dermabrasion system of FIG. 1;

FIG. 4 illustrates a top plan view of the dermabrasion system of FIG. 1;

FIG. 5 illustrates a left side plan view of the dermabrasion system of FIG. 1;

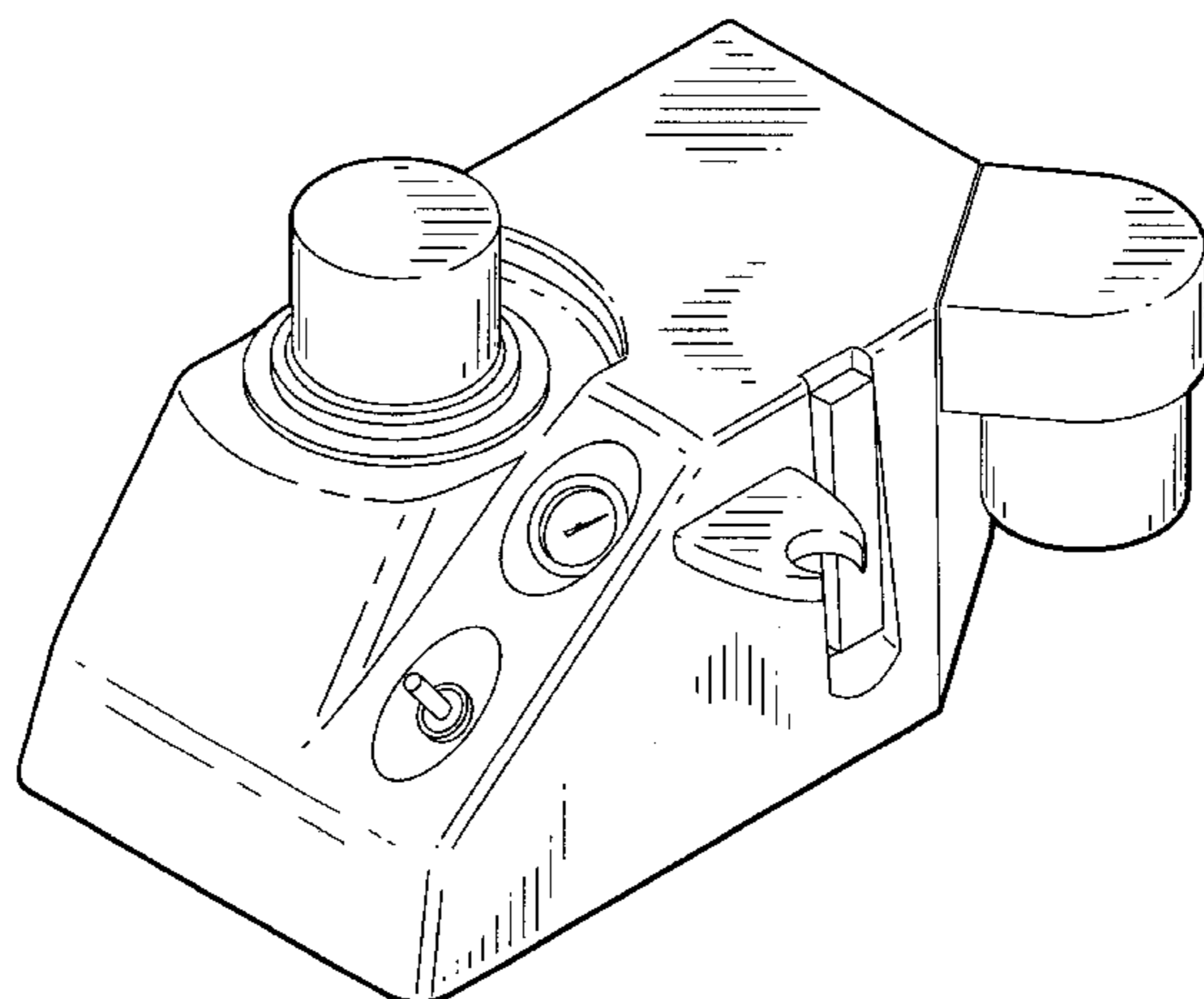
FIG. 6 illustrates a right side plan view of the dermabrasion system of FIG. 1;

FIG. 7 illustrates a bottom plan view of the dermabrasion system with the cover panel removed of FIG. 1; and,

FIG. 8 depicts a rear plan view of the dermabrasion system of FIG. 1.

The broken line showing of the power cord in FIG. 2 is for illustrative purposes only and forms no part of the claimed design.

1 Claim, 4 Drawing Sheets



U.S. PATENT DOCUMENTS

3,085,573	4/1963	Meyer et al.	128/240	5,423,803	6/1995	Tankovich et al.	606/9
3,574,239	4/1971	Sollerud	4/1	5,484,283	1/1996	Franetzki	433/116
3,715,838	2/1973	Young et al.	51/12	5,489,291	2/1996	Wiley	606/170
4,090,334	5/1978	Kurowski et al.	51/427	5,525,058	6/1996	Gallant et al.	433/88
4,375,740	3/1983	Brown	51/425	5,562,643	10/1996	Johnson	604/290
4,445,517	5/1984	Feild	128/752	5,752,829	5/1998	Goldsmith et al.	433/88
4,516,398	5/1985	Wuchinich	604/22	5,765,759	6/1998	Bruns et al.	239/398
4,531,934	7/1985	Kossovsky et al.	604/22	5,795,626	8/1998	Gabel et al.	427/458
4,560,373	12/1985	Sugino et al.	604/30	5,800,446	9/1998	Banuchi	606/131
4,578,058	3/1986	Grandon	604/27	5,810,842	9/1998	Di Fiore et al.	606/131
4,646,480	3/1987	Williams	51/424	5,885,211	3/1999	Eppstein et al.	600/309
4,674,239	6/1987	Jodoin	51/424	5,971,999 *	10/1999	Naldoni	606/131
4,676,749	6/1987	Mabille	433/88	6,139,554 *	10/2000	Karkar et al.	606/131
4,757,814	7/1988	Wang et al.	128/318	6,235,039 *	5/2001	Parkin et al.	606/131
4,966,609	10/1990	Callinan et al.	51/295	6,241,739 *	6/2001	Waldron	606/131
5,037,431	8/1991	Summers et al.	606/131				
5,037,432	8/1991	Molinari	606/131				
5,080,656	1/1992	Martz et al.	604/289				
5,100,412	3/1992	Rosso	606/131				
5,207,234	5/1993	Rosso	128/898				
5,322,504	6/1994	Doherty et al.	606/167				
5,330,354	7/1994	Gallant	433/88				
5,334,016	8/1994	Goldsmith et al.	433/29				
5,334,019	8/1994	Goldsmith et al.	433/88				
5,350,299	9/1994	Gallant	433/88				

OTHER PUBLICATIONS

Micro Dermabrasion International, "Skin-A-Peel" (U.S.A.).
 Slimtone USA, "Diamond Dermabrasion" (U.S.A.).
 SSMEI srl, "Skin System E" (Italy).
 Cosmos Medical Technology, Inc., "EuroPeel Micro-Dermabrasion System" (U.S.A.).

* cited by examiner

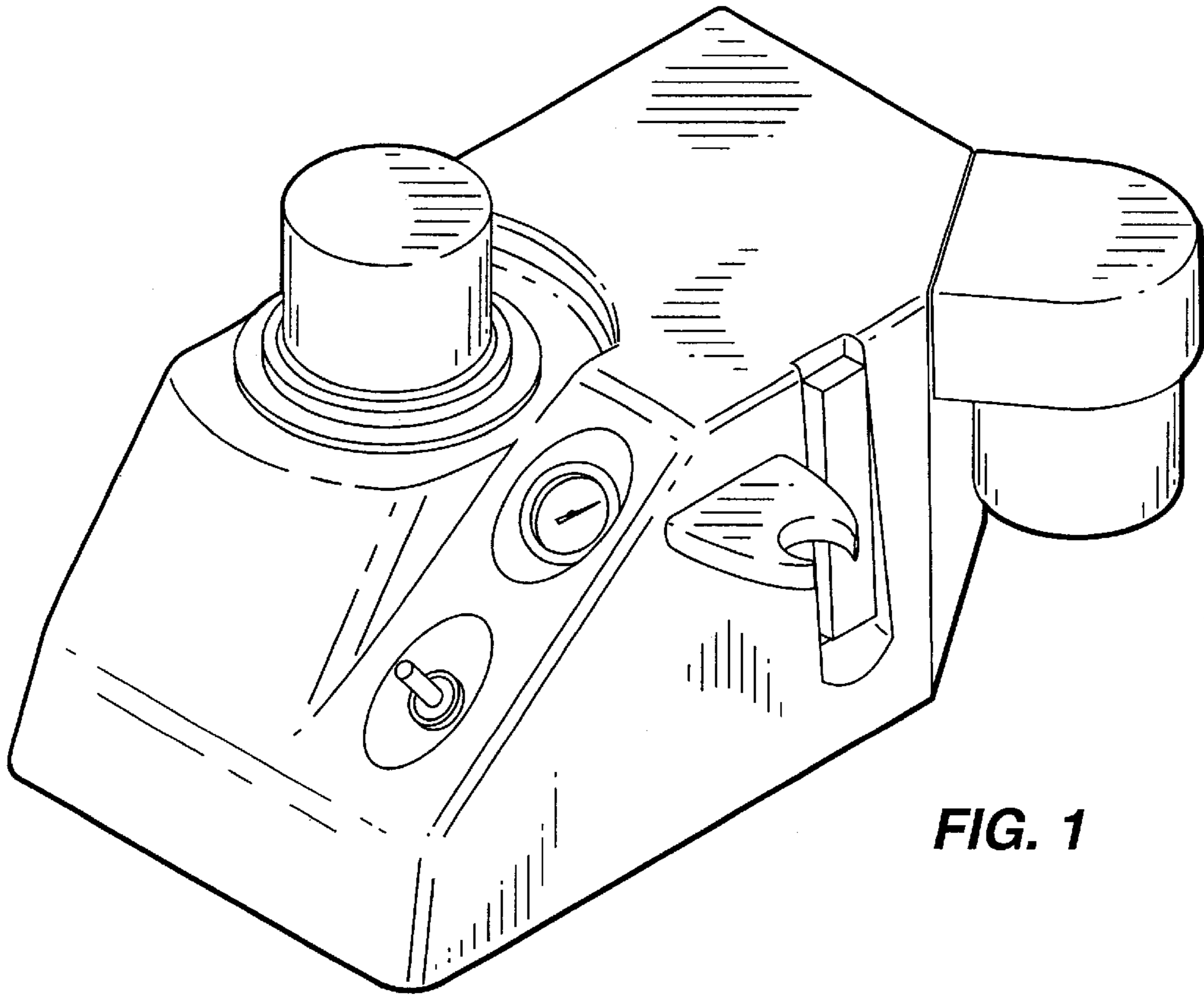


FIG. 1

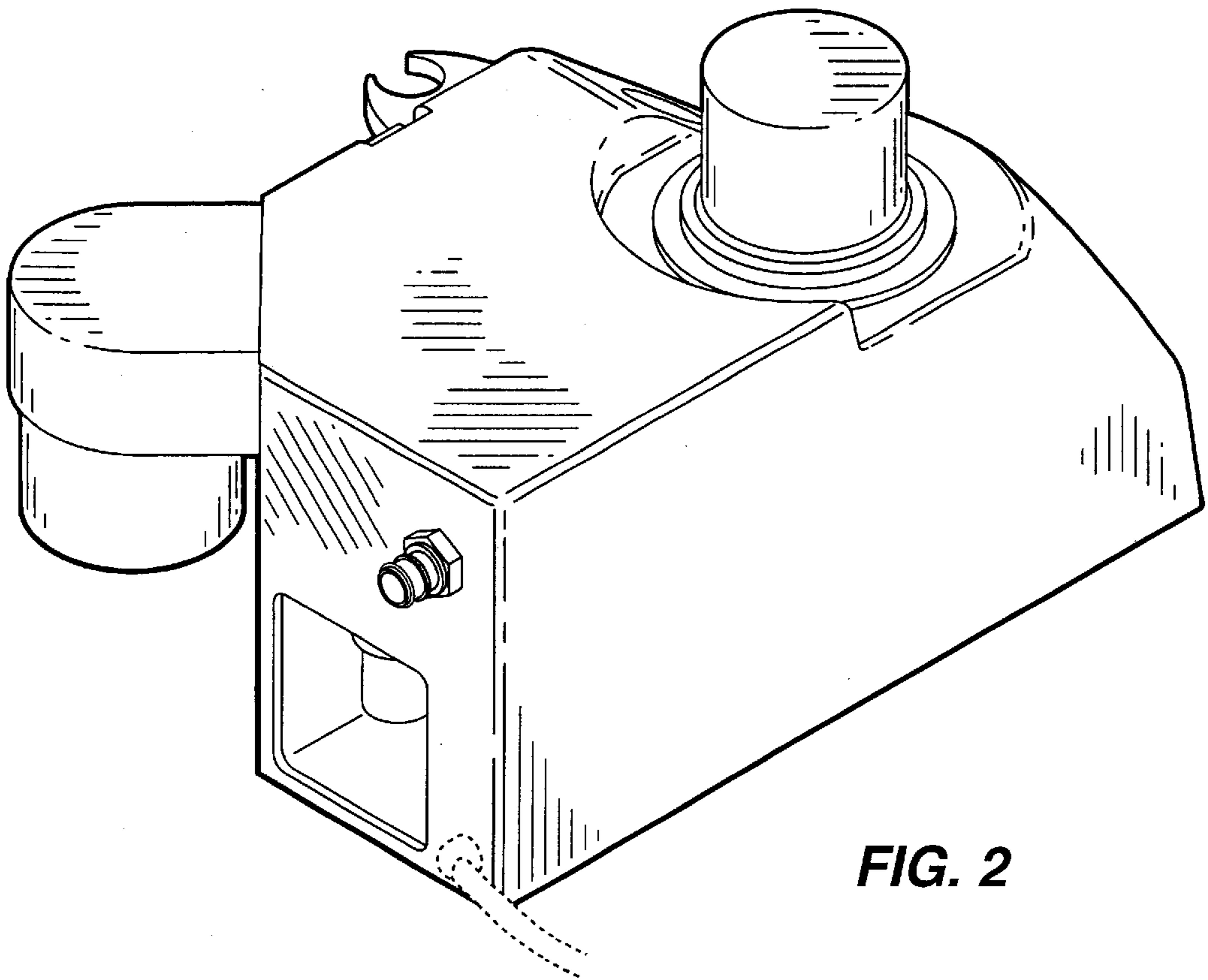


FIG. 2

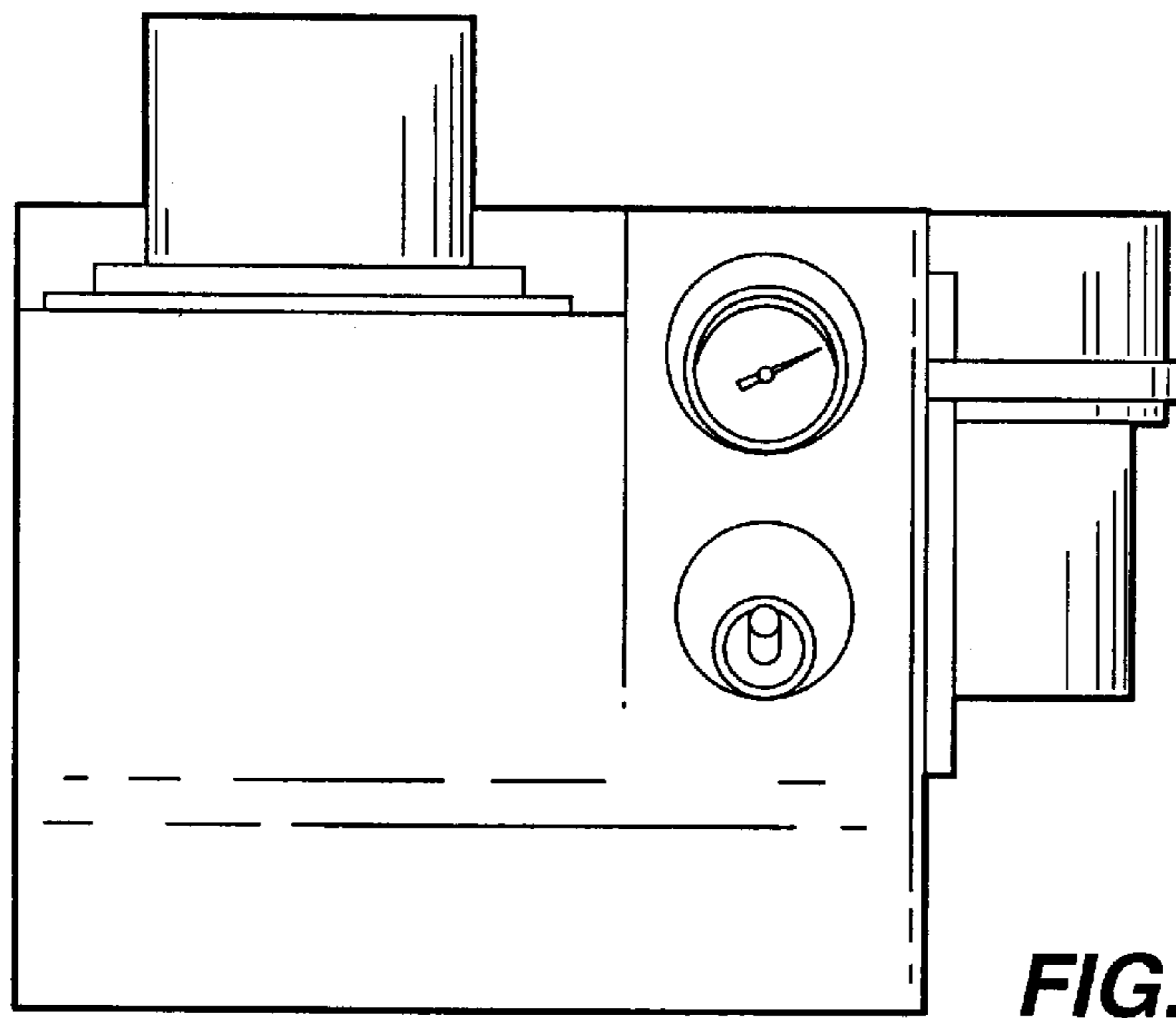


FIG. 3

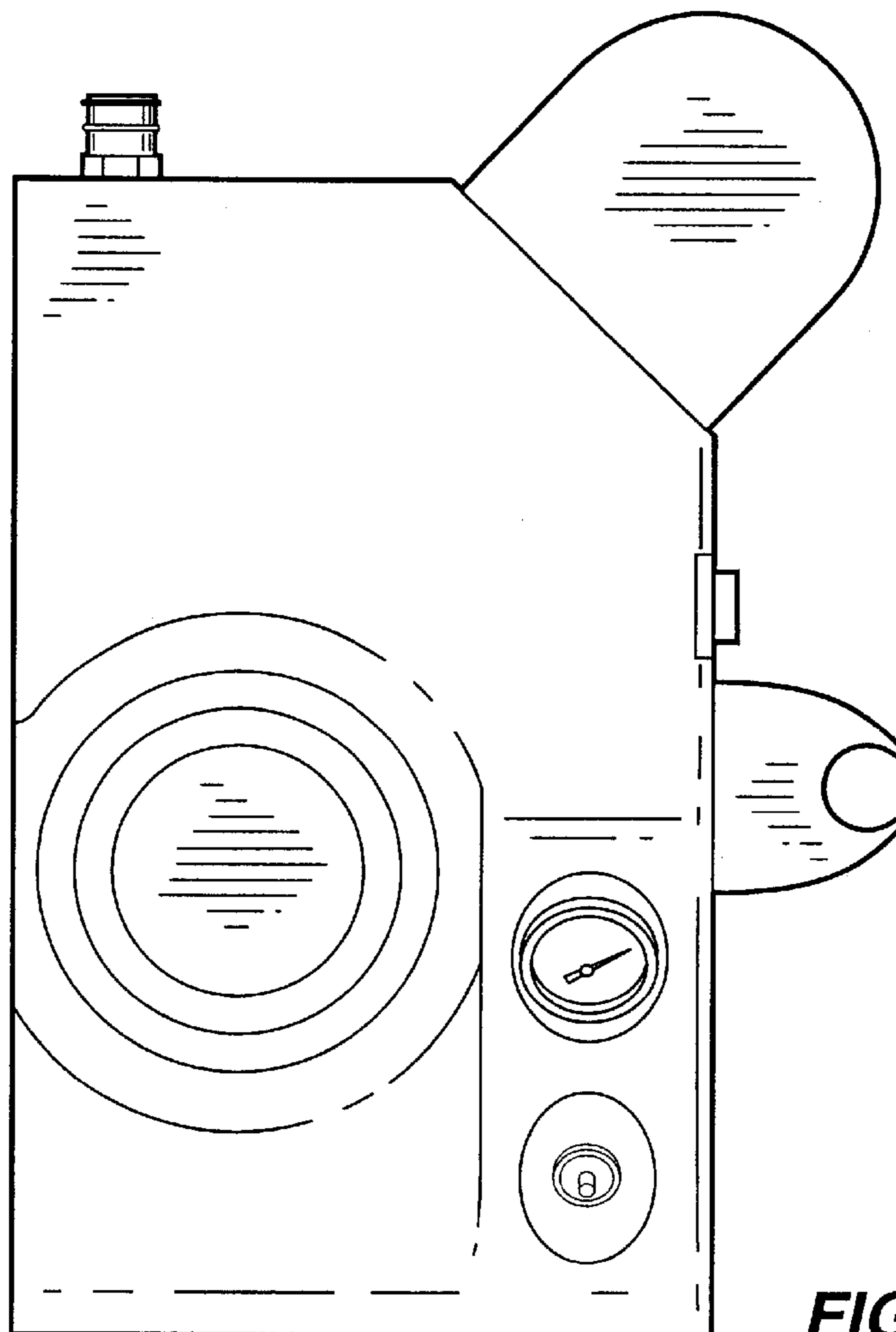


FIG. 4

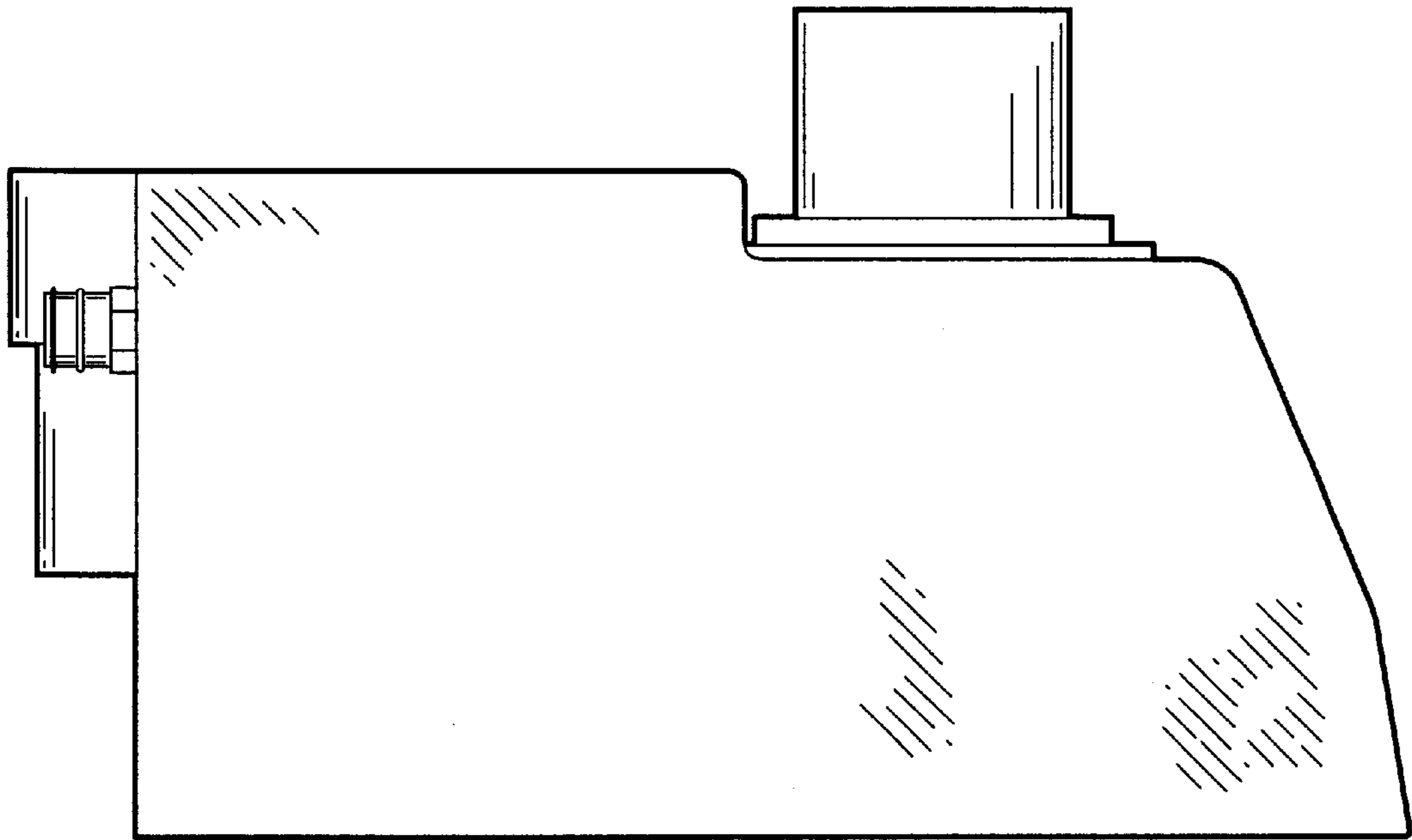


FIG. 5

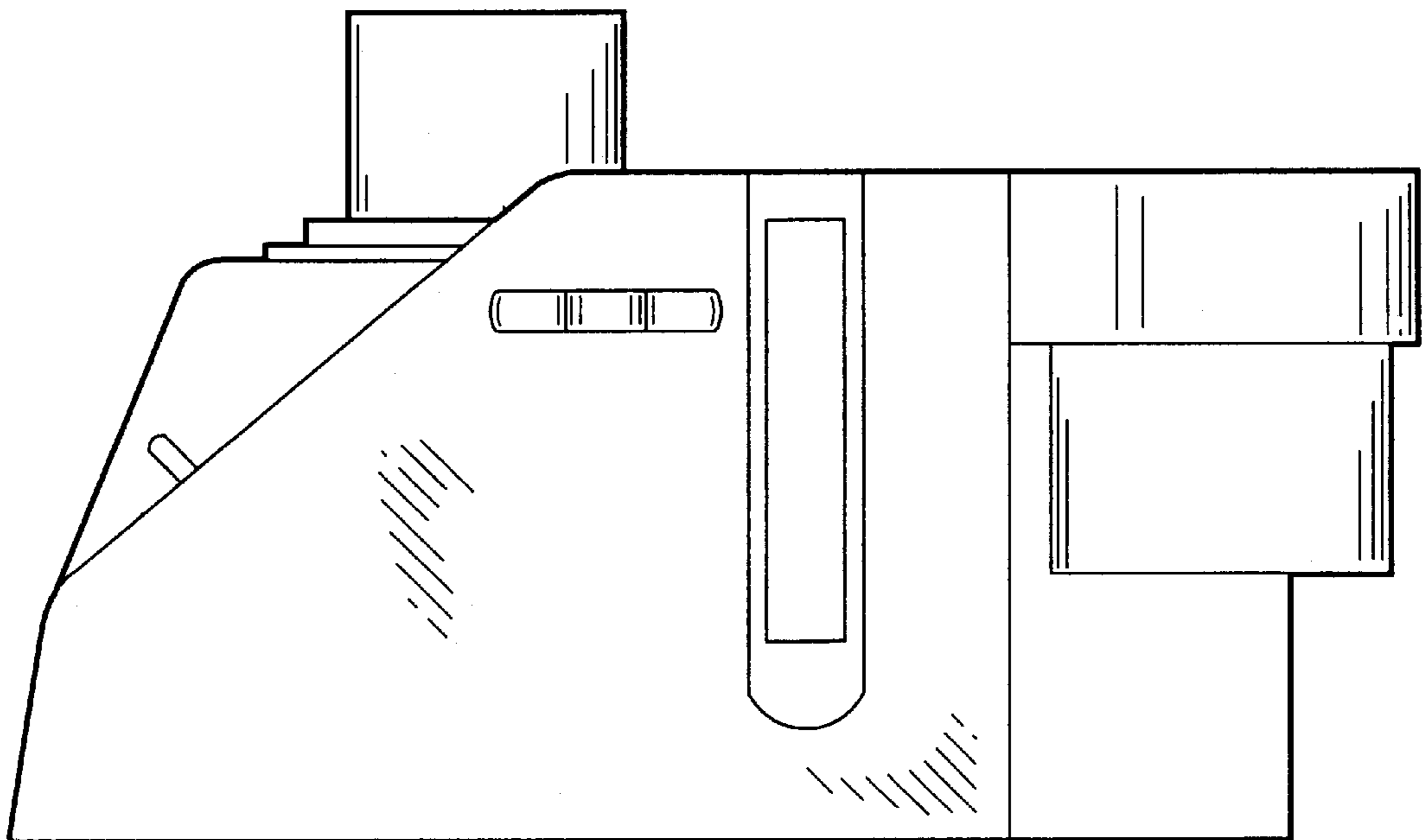


FIG. 6

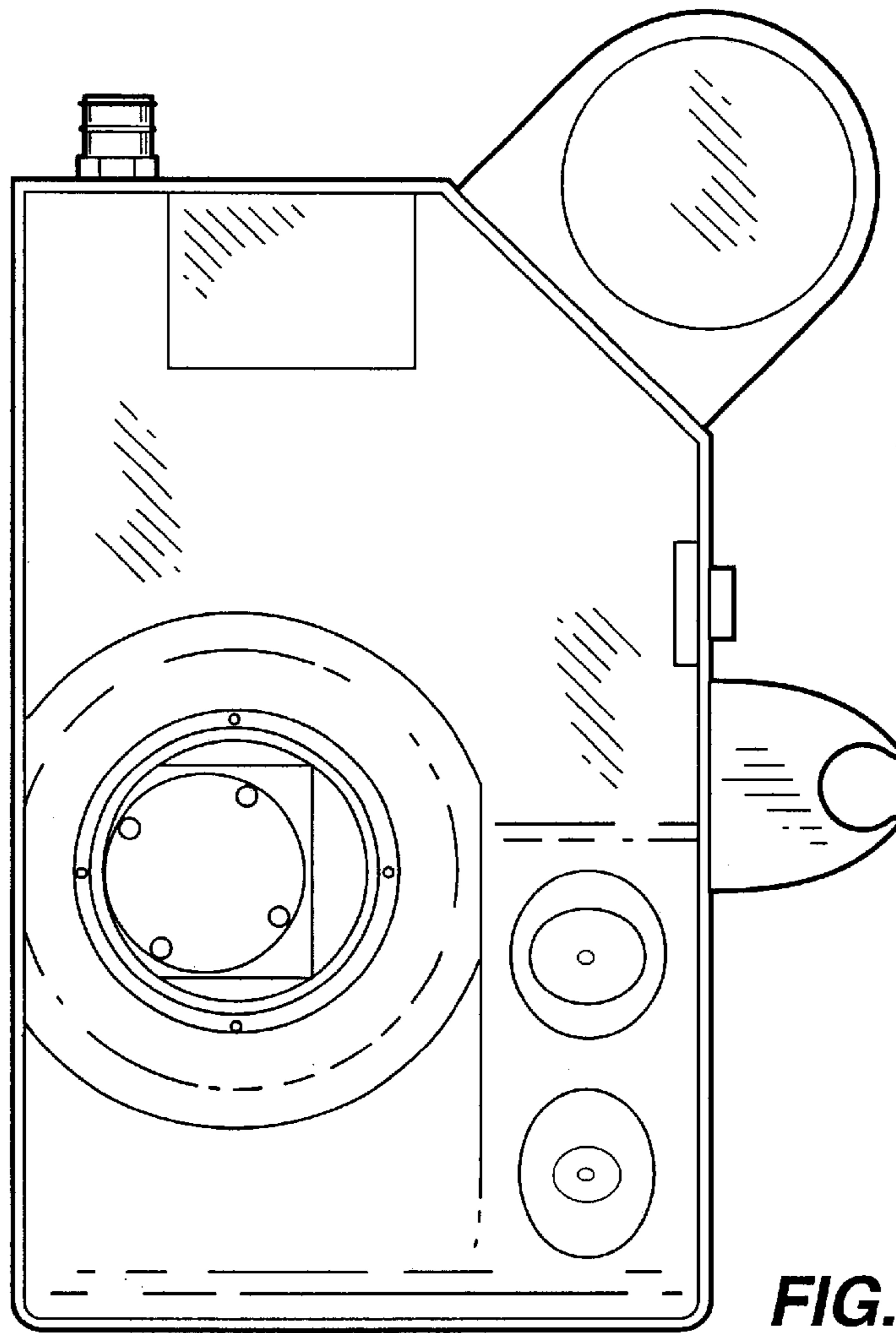


FIG. 7

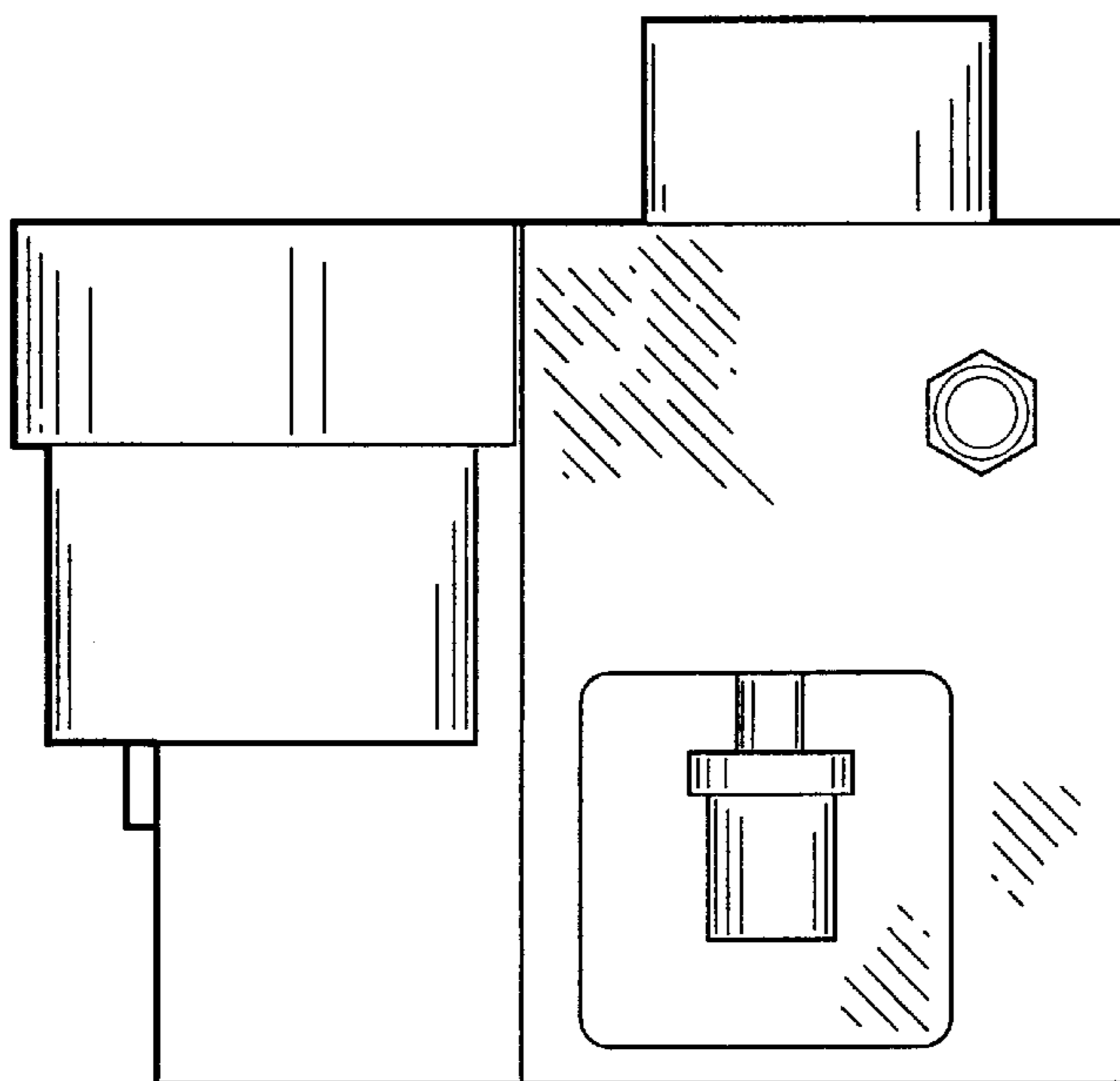


FIG. 8

UNITED STATES PATENT AND TRADEMARK OFFICE
CERTIFICATE OF CORRECTION

PATENT NO. : Des 450,842 S
DATED : November 20, 2001
INVENTOR(S) : Eric M. Simon and Randall D. Block

Page 1 of 1

It is certified that error appears in the above-identified patent and that said Letters Patent is hereby corrected as shown below:

Title page,

References Cited,

FOREIGN PATENT DOCUMENTS, change "DE 410 684 A1" to -- De 41 02 684 A1 --
OTHER DOCUMENTS, change "SSMEI srl, 'Skin System E' (Italy)" to -- SMEI srl,
'Skin System E' (Italy) --

Signed and Sealed this

Seventh Day of May, 2002

Attest:



Attesting Officer

JAMES E. ROGAN
Director of the United States Patent and Trademark Office