



US00D450841B1

(12) **United States Design Patent**
Porat

(10) **Patent No.:** **US D450,841 S**

(45) **Date of Patent:** **** Nov. 20, 2001**

(54) **MOSQUITO CLAMP AND NEEDLE HOLDER**

(75) Inventor: **Amir Porat**, Ganei-Yehuda (IL)

(73) Assignee: **Kencap Ltd.**, Yahud (IL)

(**) Term: **14 Years**

(21) Appl. No.: **29/112,871**

(22) Filed: **Oct. 25, 1999**

(51) **LOC (7) Cl.** **24-02**

(52) **U.S. Cl.** **D24/143**

(58) **Field of Search** D24/143, 148,
D24/149, 133; 600/207, 205, 206; D8/57,
52, 54

(56) **References Cited**

U.S. PATENT DOCUMENTS

D. 206,311	*	11/1966	Eizenberg	D24/143
D. 289,683	*	5/1987	Gilfillan	D24/143
D. 295,893	*	5/1988	Sharkany et al.	D24/143
3,404,683	*	10/1968	Eizenberg	D24/143
4,662,372	*	5/1987	Sharkany et al.	606/207
6,013,088	*	1/2000	Karavidas	606/157

* cited by examiner

Primary Examiner—Ian Simmons

(74) *Attorney, Agent, or Firm*—Kenyon & Kenyon

(57) **CLAIM**

An ornamental design for a mosquito clamp and needle holder, as shown and described.

DESCRIPTION

FIG. 1 is a perspective of a first embodiment of a mosquito clamp and needle holder;

FIG. 2 is a top view of the mosquito clamp and needle holder shown in FIG. 1;

FIG. 3 is a bottom view of the mosquito clamp and needle holder;

FIG. 4 is a left side view of the mosquito clamp and needle holder;

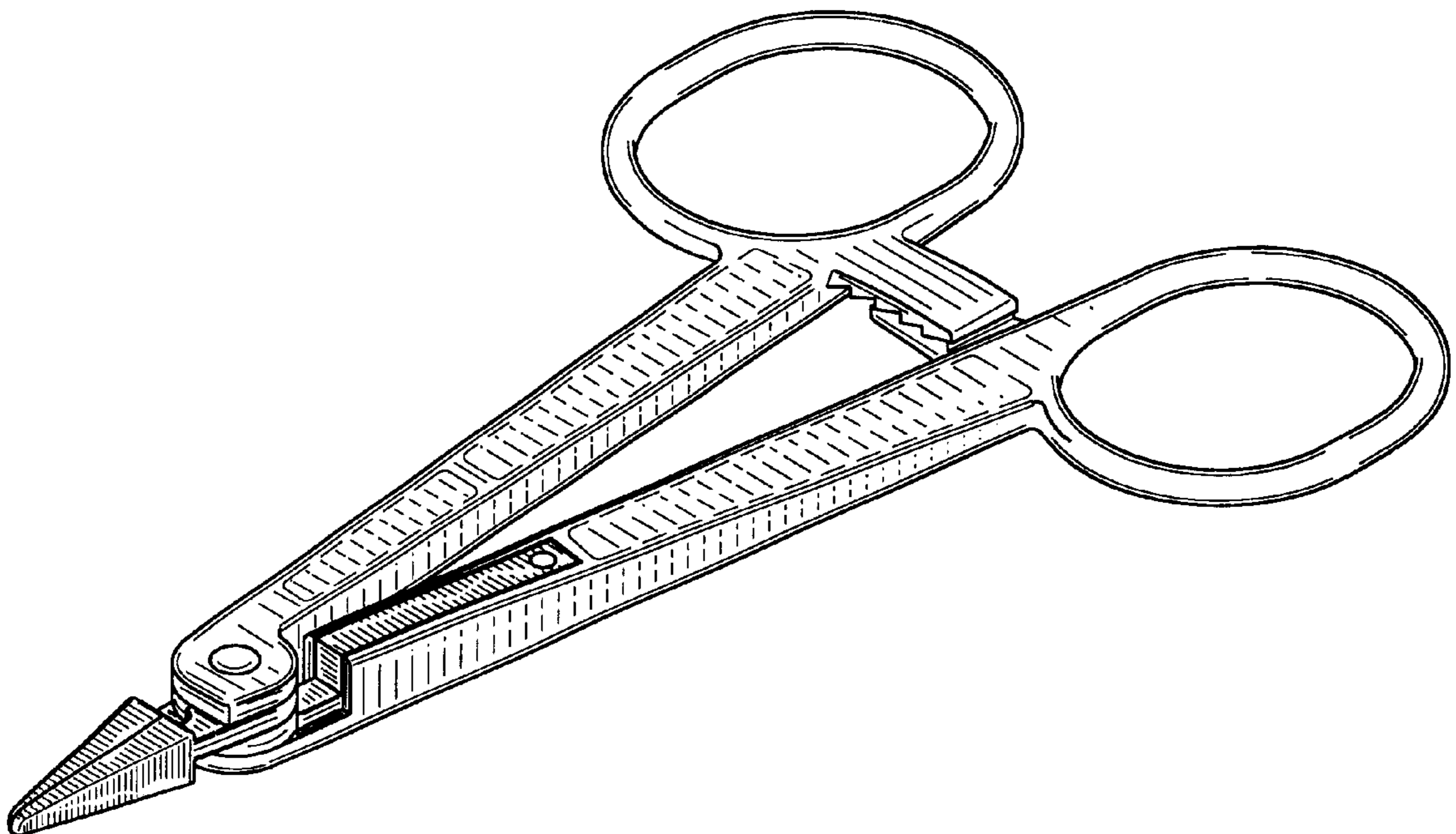
FIG. 5 is a right side view of the mosquito clamp and needle holder;

FIG. 6 is a front view of the mosquito clamp and needle holder; and,

FIG. 7 is a rear view of the mosquito clamp and needle holder.

The broken line showing in FIGS. 1, 2 and 3 are for illustrative purposes only and forms no part of the claimed design.

1 Claim, 5 Drawing Sheets



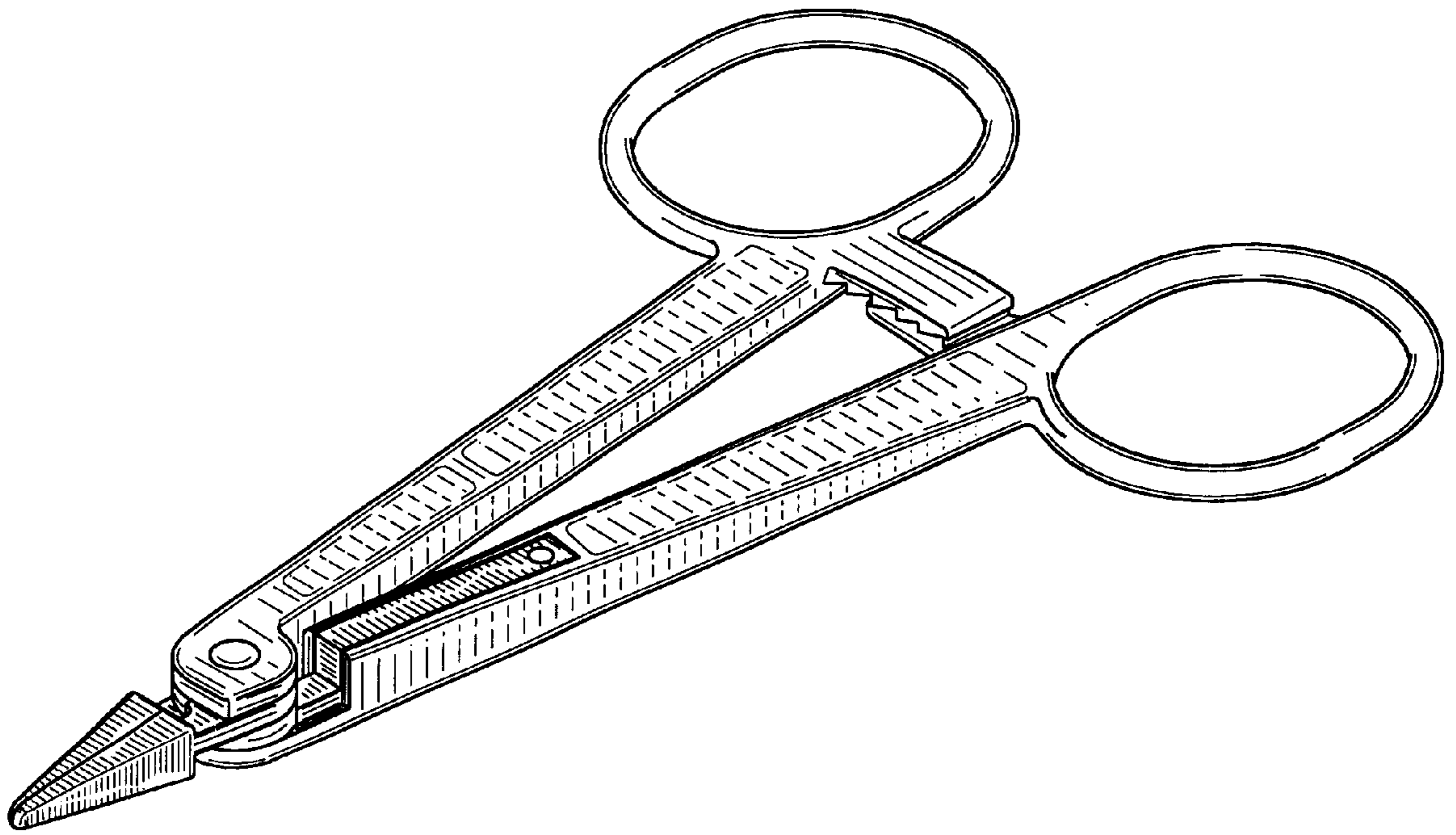


FIG.1

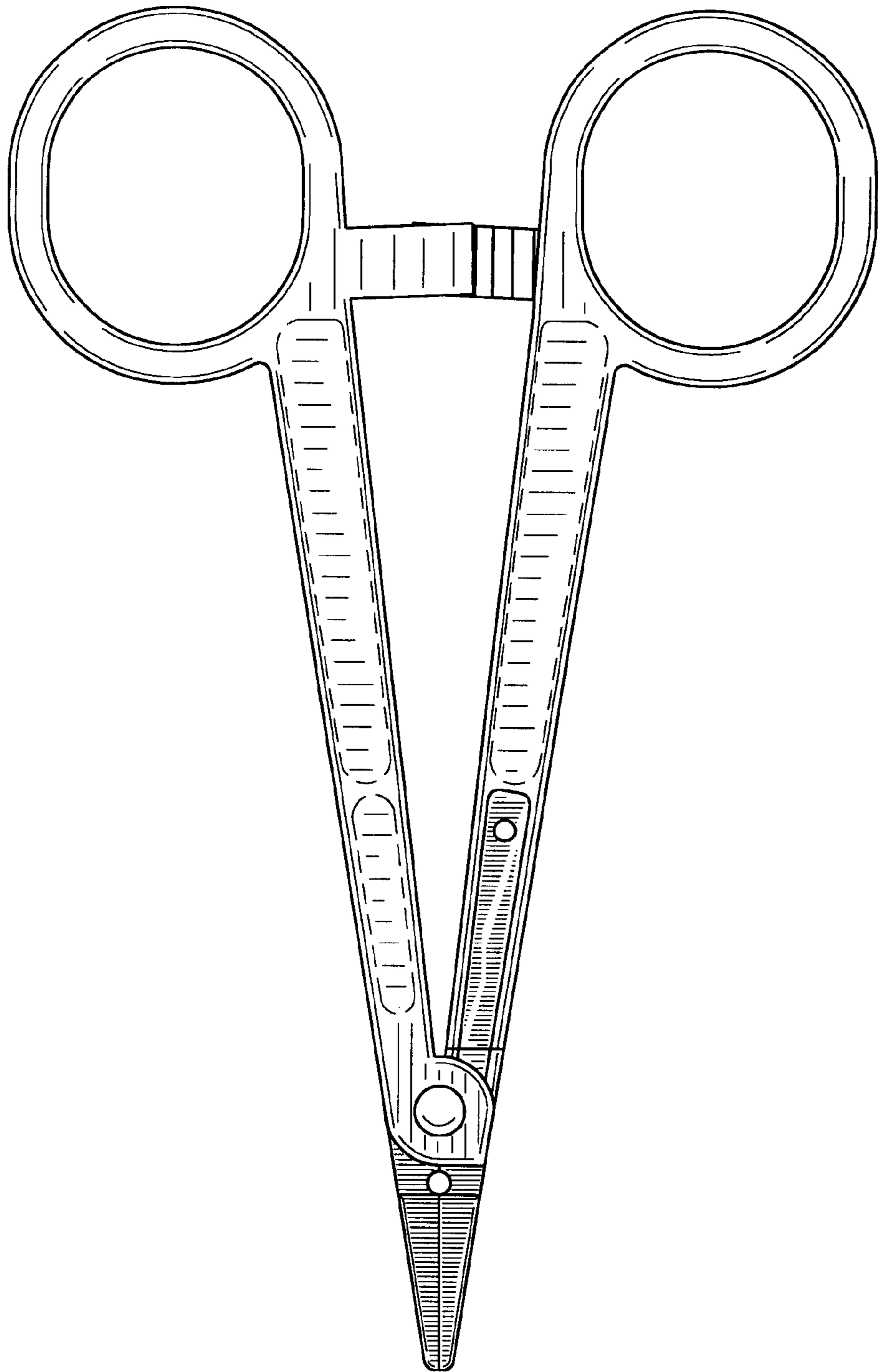


FIG. 2

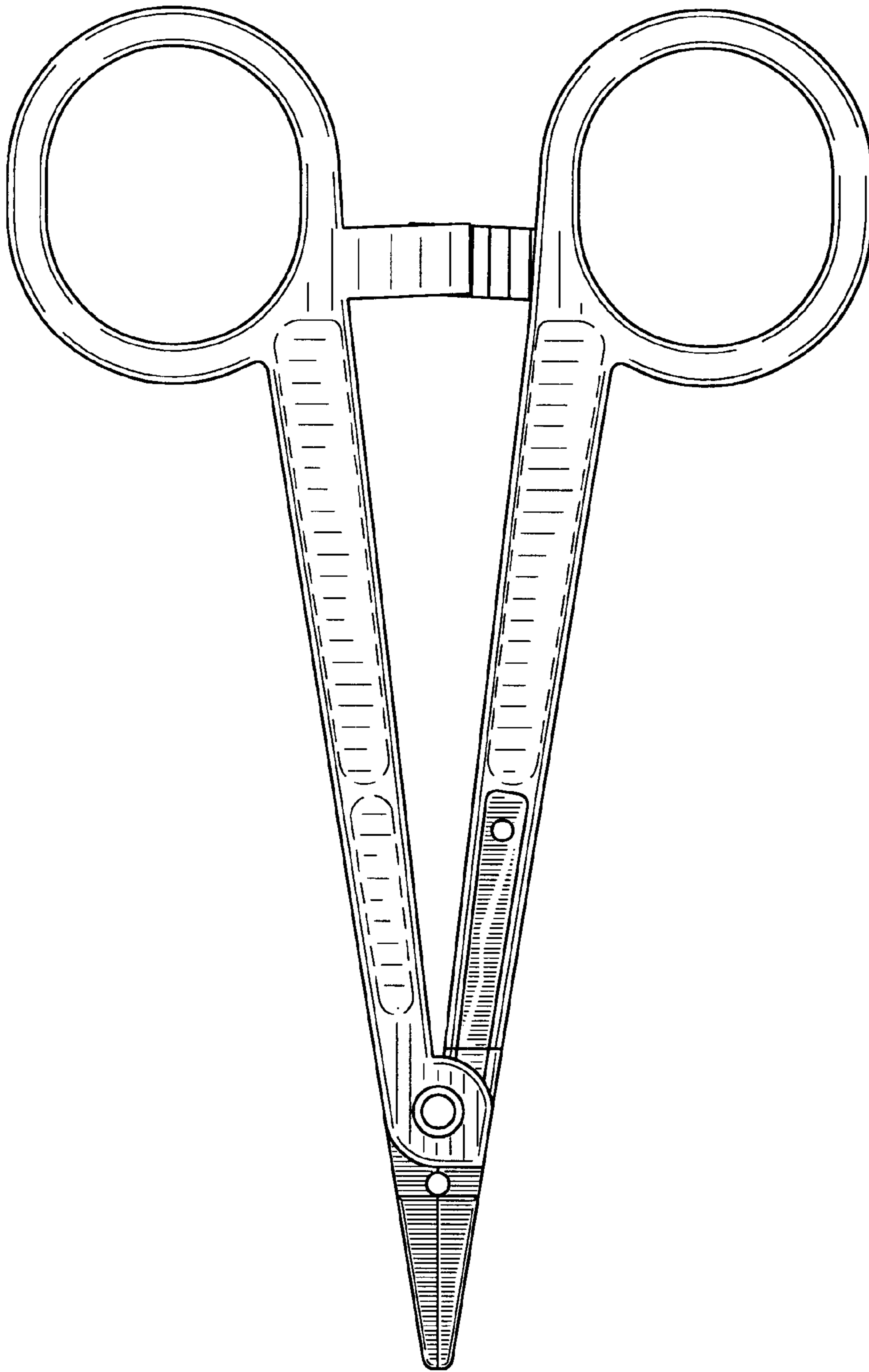


FIG. 3

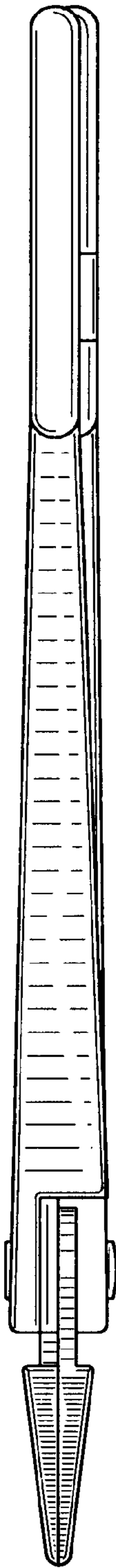


FIG. 4

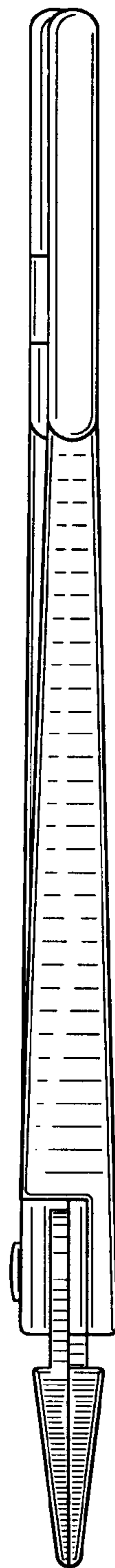


FIG. 5

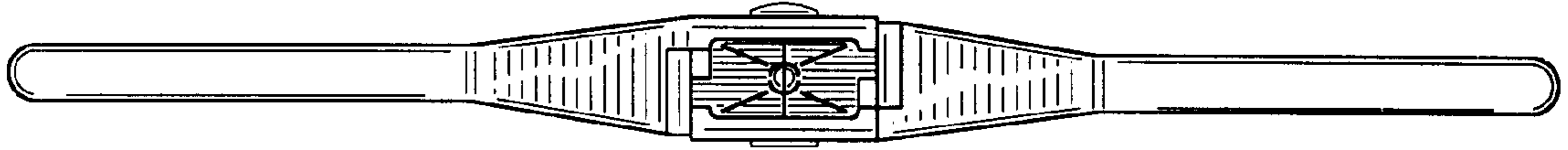


FIG. 6

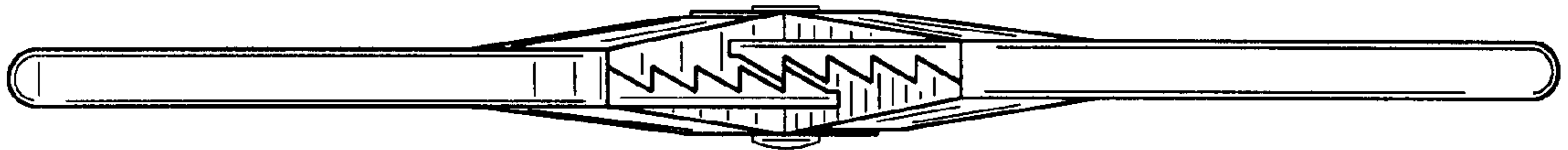


FIG. 7