



US00D450837B1

(12) **United States Design Patent**  
Cise et al.

(10) **Patent No.:** **US D450,837 S**

(45) **Date of Patent:** **\*\* Nov. 20, 2001**

(54) **CATHETER CLAMPING DEVICE**

5,901,705 \* 5/1999 League ..... 128/207.14  
6,227,197 \* 5/2001 Fitzgerald ..... 128/200.26

(75) Inventors: **David M. Cise**, Herriman; **Steven M. Wood**, West Jordan, both of UT (US)

**OTHER PUBLICATIONS**

(73) Assignee: **Kimberly-Clark Worldwide, Inc.**, Neenah, WI (US)

U.S. application No. 09/723,314, filed Nov. 27, 2000.  
U.S. application No. 29/133,260, filed Nov. 27, 2000.  
U.S. application No. 29/133,262, filed Nov. 27, 2000.

(\*\*) Term: **14 Years**

\* cited by examiner

(21) Appl. No.: **29/133,261**

*Primary Examiner*—Ian Simmons

(22) Filed: **Nov. 27, 2000**

(74) *Attorney, Agent, or Firm*—Dority & Manning

(51) **LOC (7) Cl.** ..... **24-02**

(57) **CLAIM**

(52) **U.S. Cl.** ..... **D24/129**

The ornamental design for a catheter clamping device, as shown and described.

(58) **Field of Search** ..... D24/112, 110.6,  
D24/164, 129; 128/207.16, 207.15, 207.14,  
912, 205.29, 205.24, 200.2; 604/54, 500,  
514, 533; D23/262, 264, 260

**DESCRIPTION**

(56) **References Cited**

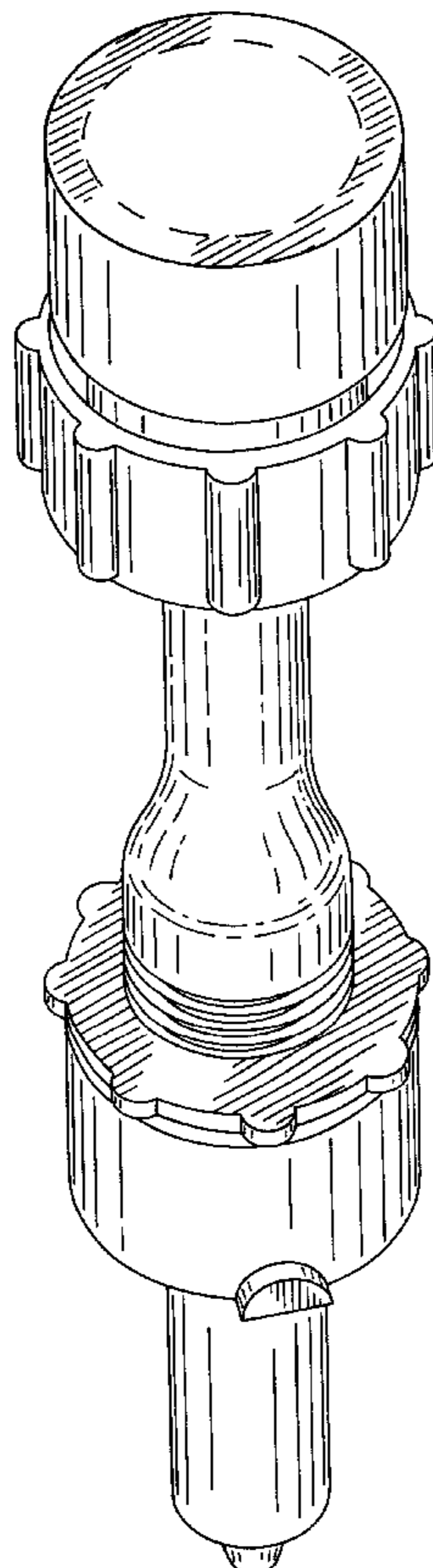
FIG. 1 is a upper perspective view of a catheter clamping device showing our new design;  
FIG. 2 is a lower perspective view thereof;  
FIG. 3 is a front side elevational view thereof;  
FIG. 4 is a right side elevational view thereof;  
FIG. 5 is a rear side elevational view thereof;  
FIG. 6 is a left side elevational view thereof;  
FIG. 7 is a top plan view thereof; and,  
FIG. 8 is a bottom plan view thereof.

**U.S. PATENT DOCUMENTS**

The broken line showing in FIGS. 1 and 7 are for illustrative purposes only and forms no part of the claimed design.

- D. 245,921 \* 9/1977 Beran ..... D24/129
- D. 321,251 \* 10/1991 Jepson et al. .... D24/112
- D. 350,394 \* 9/1994 Kazal ..... D24/164
- 5,125,893 \* 6/1992 Dryden ..... 604/54
- 5,134,996 \* 8/1992 Bell ..... 128/207.14
- 5,139,018 \* 8/1992 Brodsky et al. .... 128/207.14
- 5,277,177 \* 1/1994 Page et al. .... 128/207.16
- 5,715,815 \* 2/1998 Lorenzen et al. .... 128/207.14

**1 Claim, 4 Drawing Sheets**



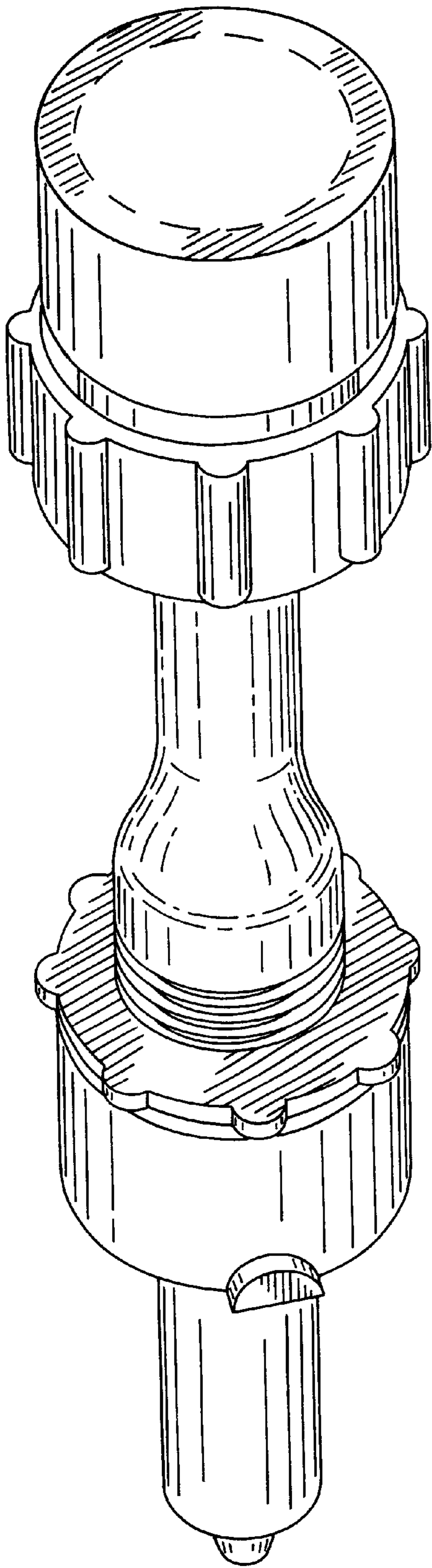


FIG. 1

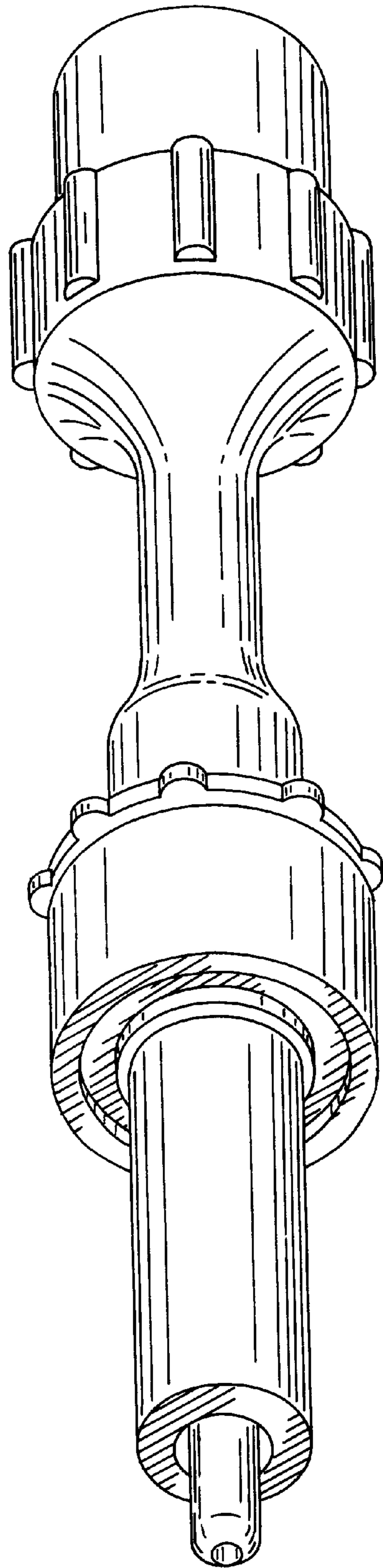


FIG. 2

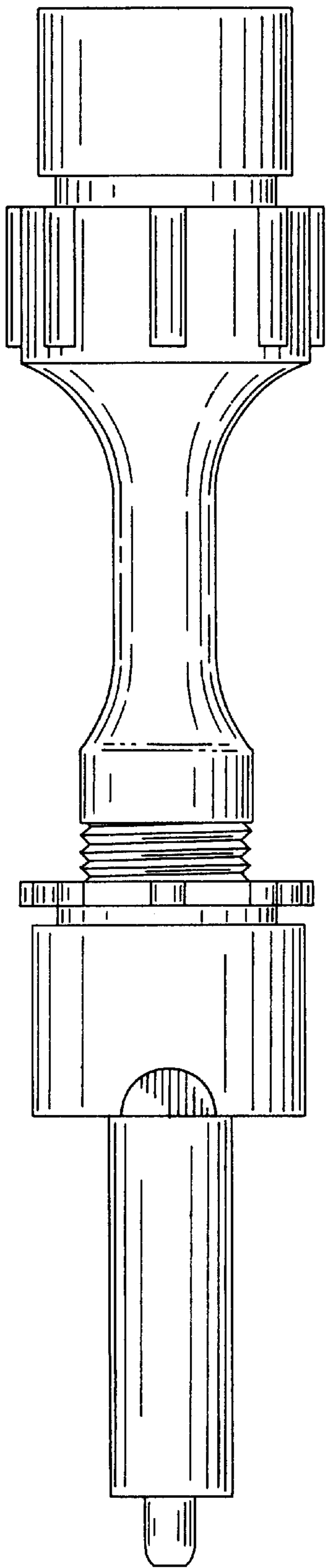


FIG. 3

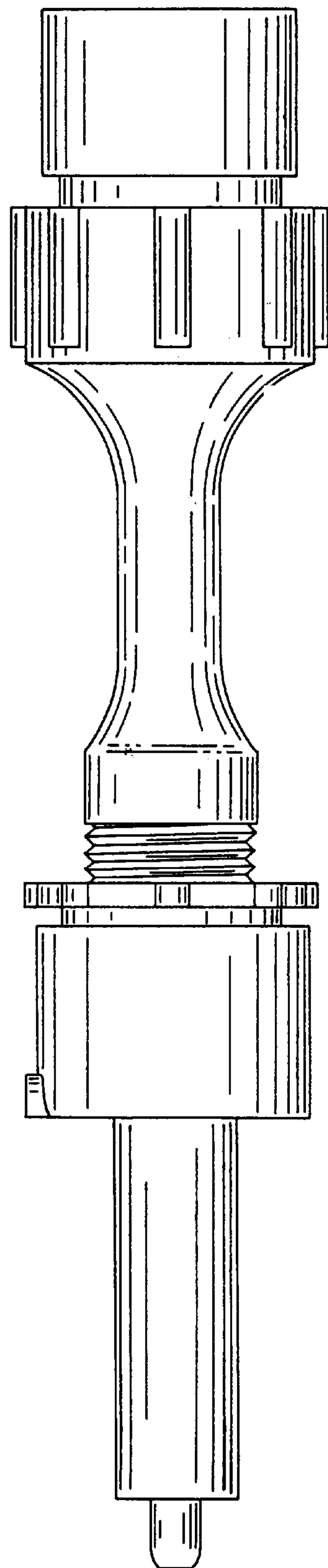


FIG. 4

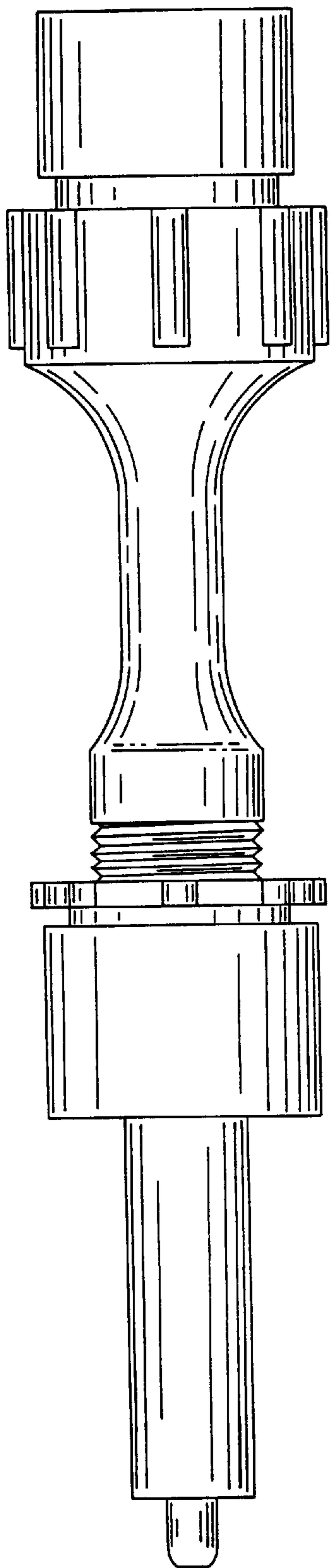


FIG. 5

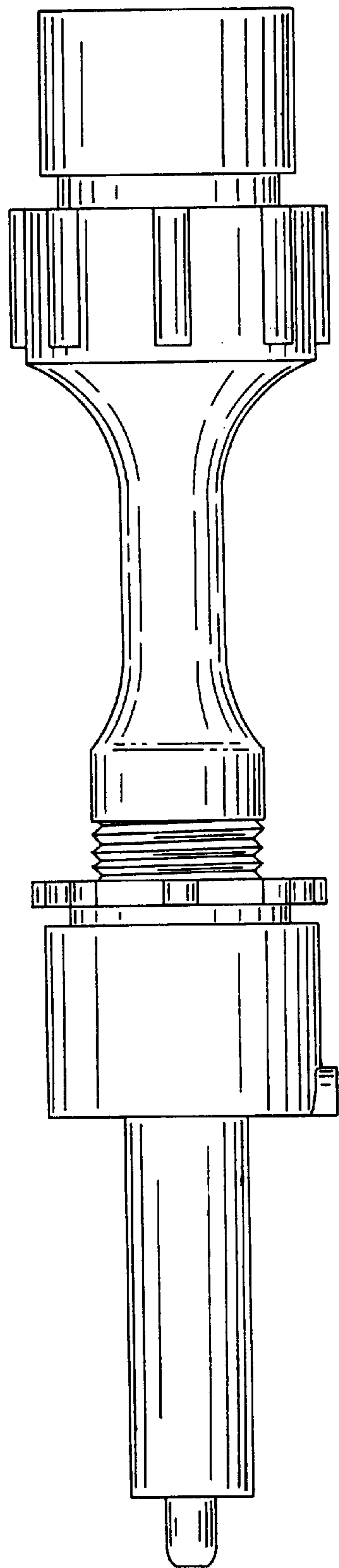


FIG. 6

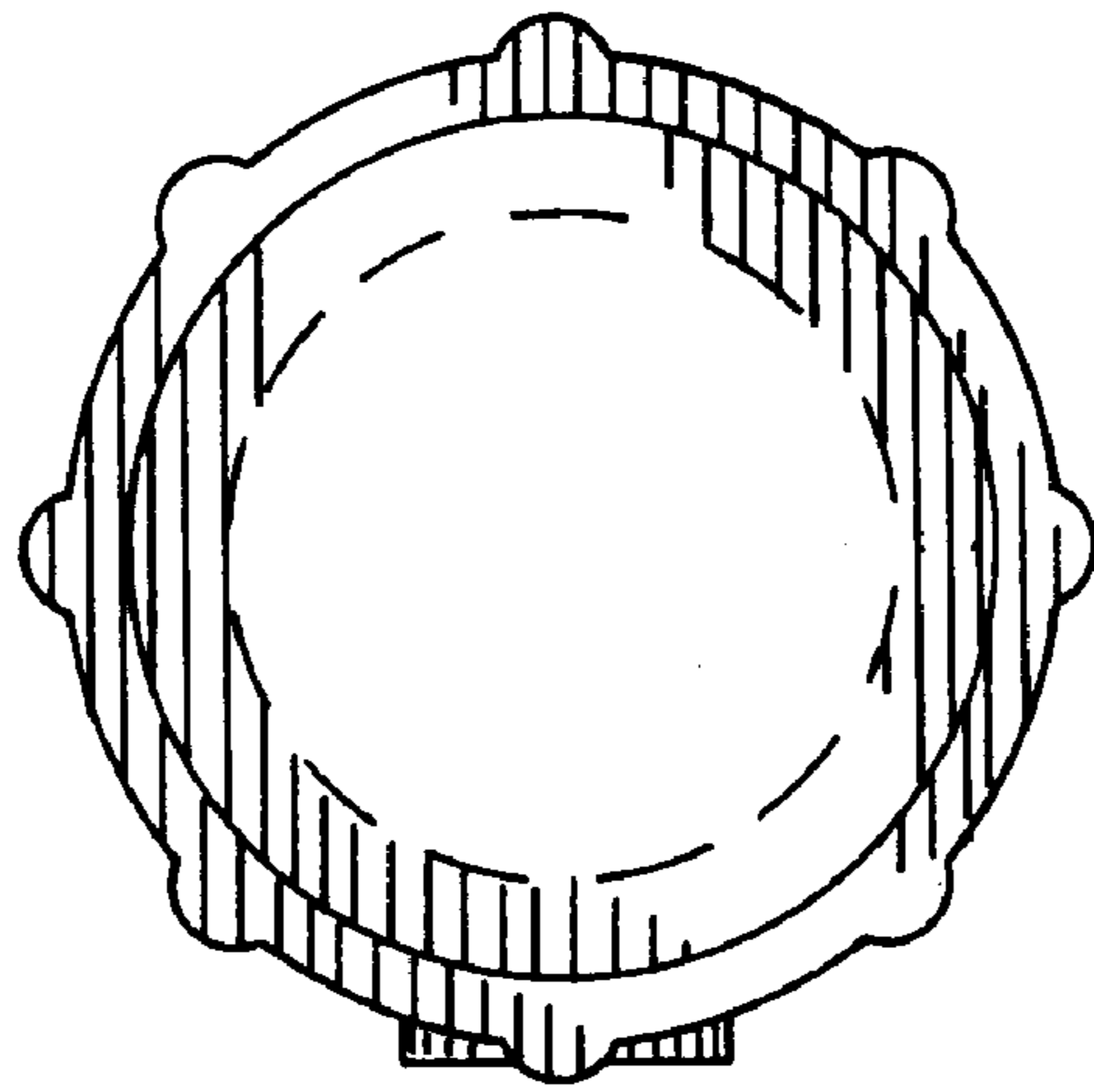


FIG. 7

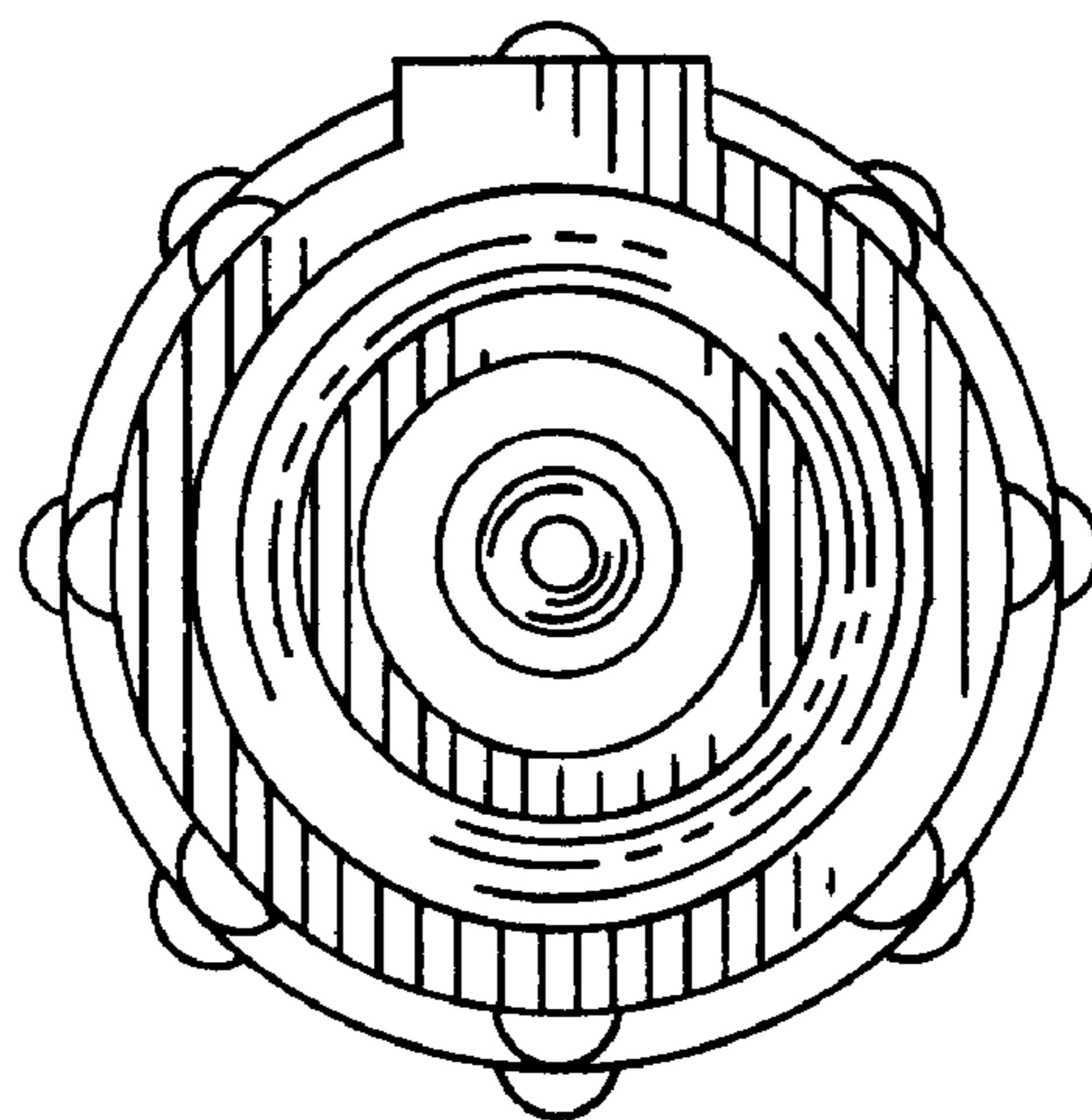


FIG. 8