



US00D450833B1

(12) **United States Design Patent**
Olivieri

(10) **Patent No.:** **US D450,833 S**

(45) **Date of Patent:** **** Nov. 20, 2001**

(54) **SCUBA MASK**

5,611,644 * 3/1997 Lutz 2/428

5,657,493 * 8/1997 Ferrero et al. 2/452

5,860,168 * 1/1999 Winefordner et al. 128/206.15

(75) **Inventor:** **Jean Claude Olivieri**, San Juan
Capistrano, CA (US)

* cited by examiner

(73) **Assignee:** **American Underwater Products**, San
Leandro, CA (US)

Primary Examiner—Ian Simmons

(74) *Attorney, Agent, or Firm*—Christie, Parker & Hale,
LLP

(**) **Term:** **14 Years**

(57) **CLAIM**

(21) **Appl. No.:** **29/135,871**

The ornamental design for scuba mask, as shown and
described.

(22) **Filed:** **Jan. 17, 2001**

(51) **LOC (7) Cl.** **29-02**

DESCRIPTION

(52) **U.S. Cl.** **D24/110.2; D16/311**

FIG. 1 is a front side and top perspective view of a scuba mask showing my new design, the broken line showing of the strap is for illustrative purposes only and forms no part of the claimed design;

(58) **Field of Search** D24/110.2; D16/311;
128/201.18, 201.12, 201.17, 201.15, 201.28,
206.23, 206.24, 207.14; 2/428, 452

FIG. 2 is a top elevational view thereof;

FIG. 3 is a front elevational view thereof;

FIG. 4 is a side elevational view thereof;

FIG. 5 is a back elevational view thereof; and,

FIG. 6 is a bottom elevational view thereof.

(56) **References Cited**

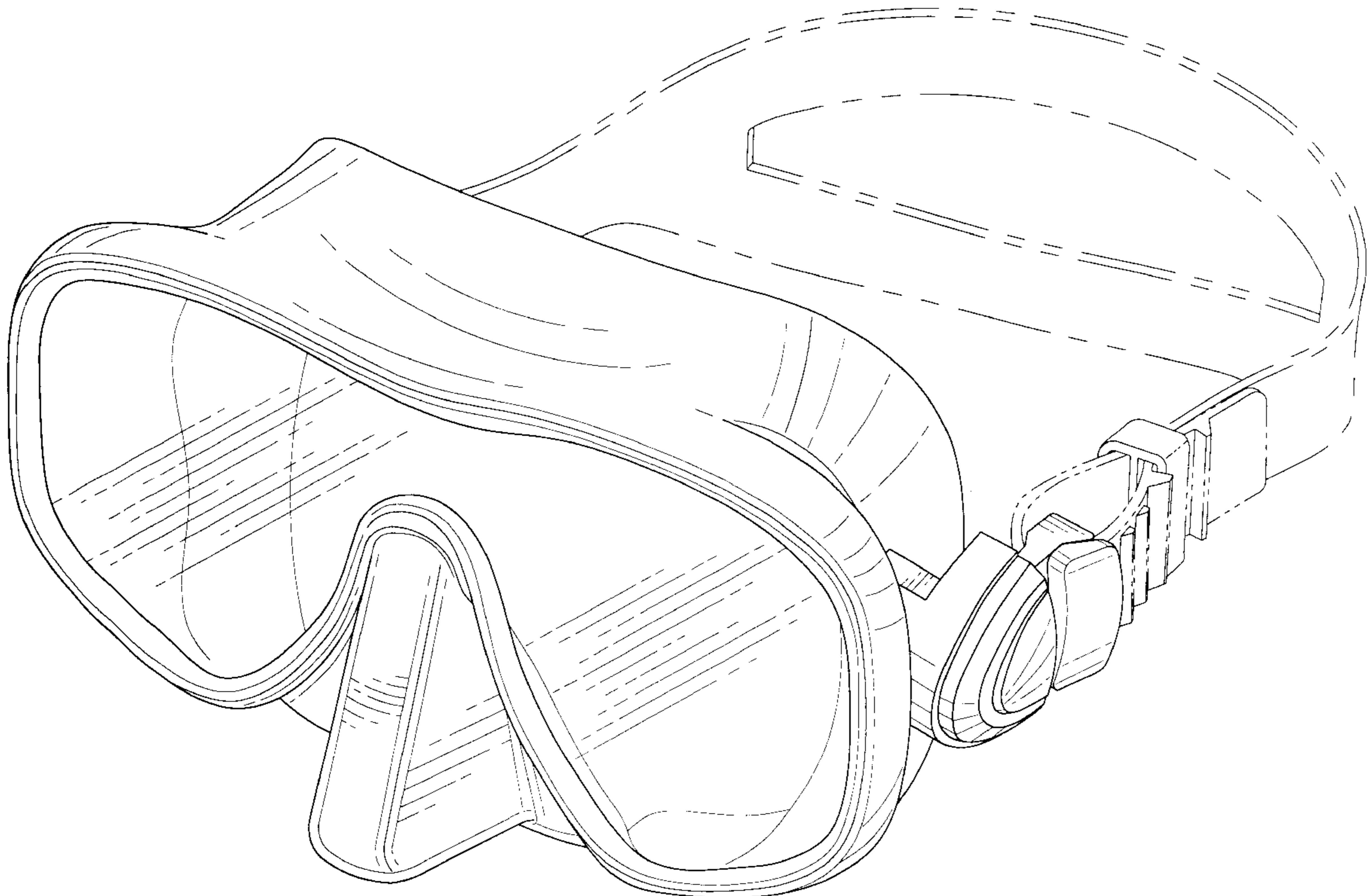
U.S. PATENT DOCUMENTS

D. 302,747 * 8/1989 Hattori D24/110.2

D. 335,365 * 5/1993 Sato D24/110.2

D. 371,566 * 7/1996 Kolada et al. D16/311

1 Claim, 4 Drawing Sheets



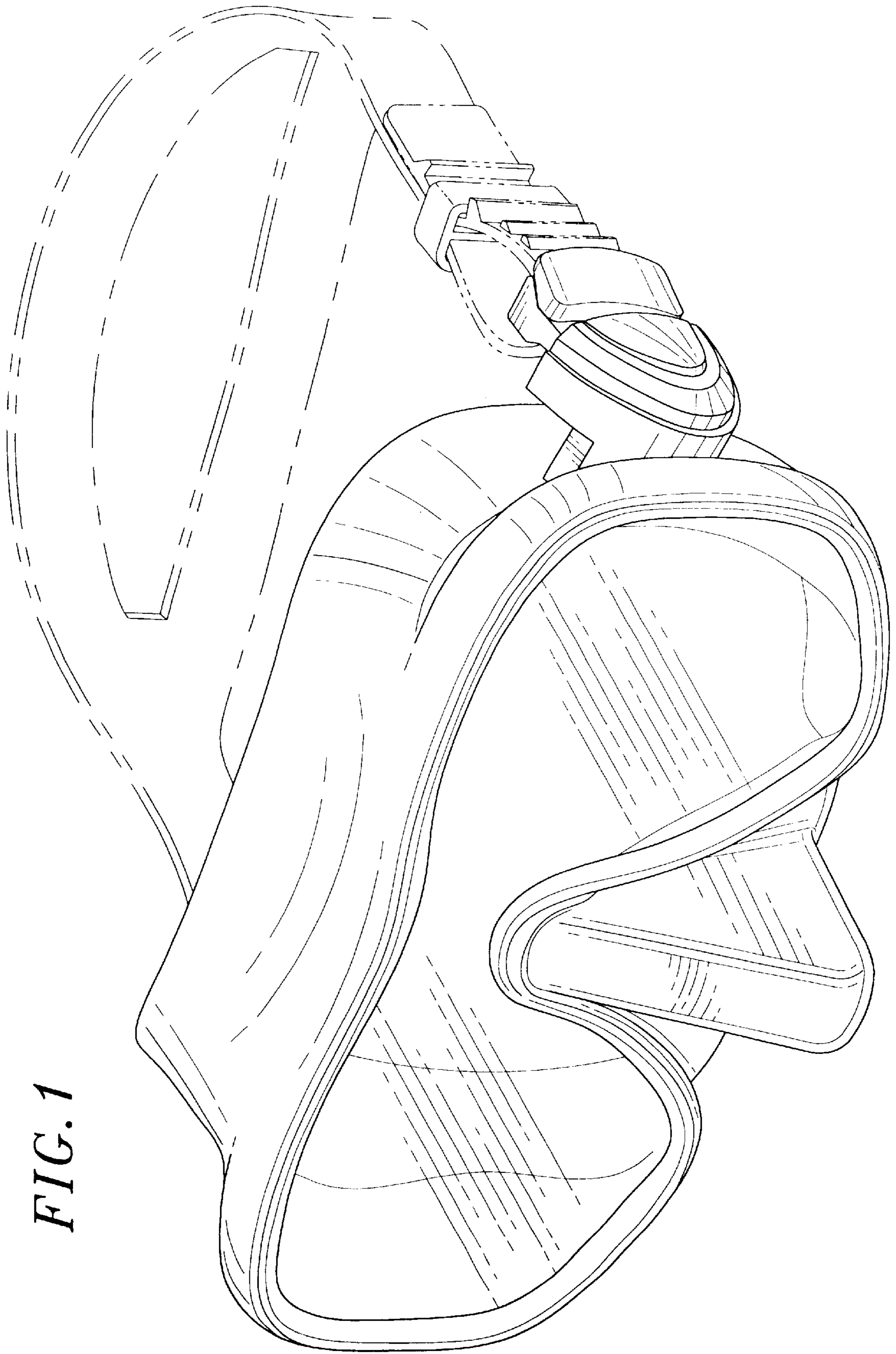


FIG. 1

FIG. 2

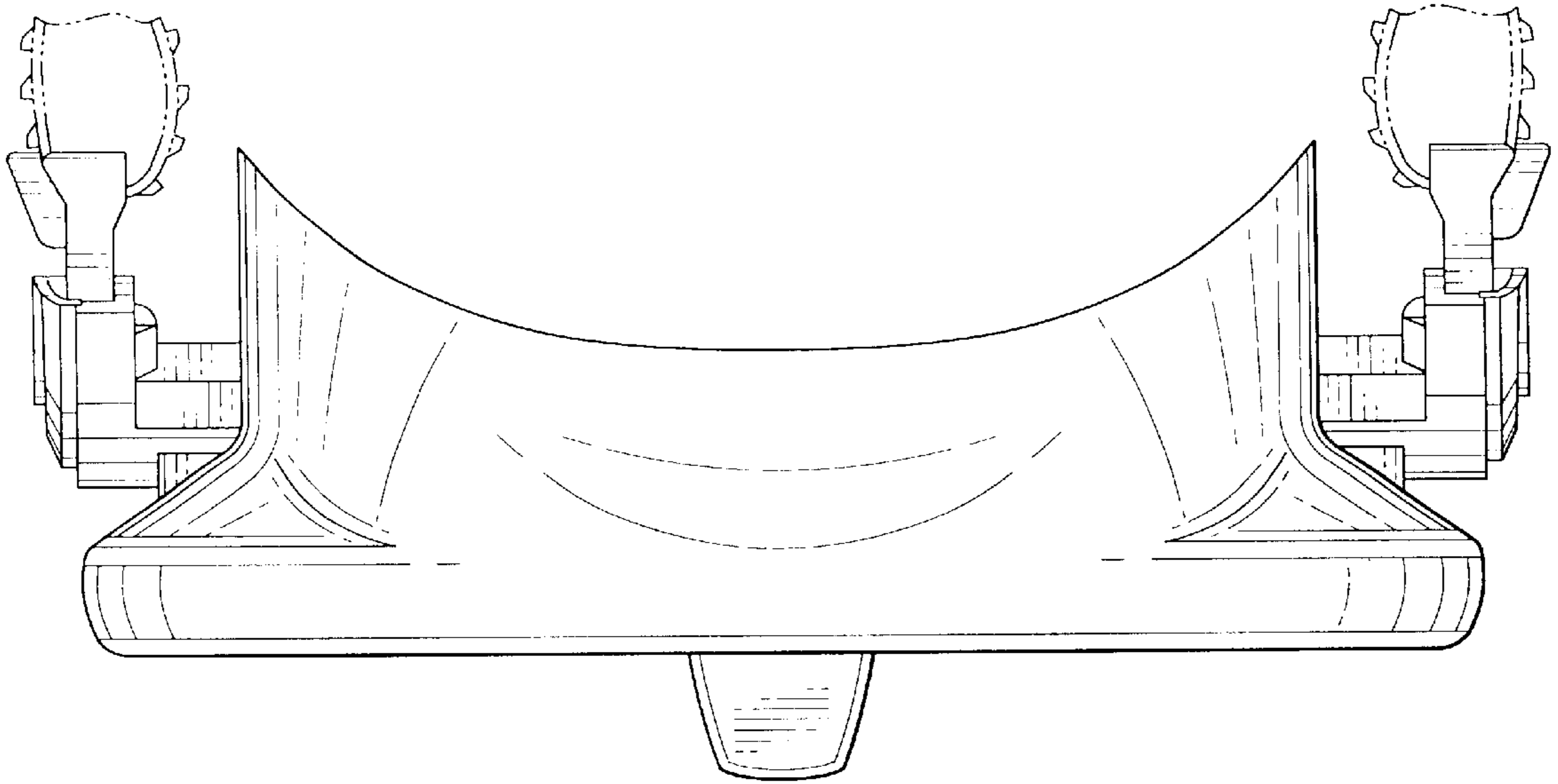


FIG. 3

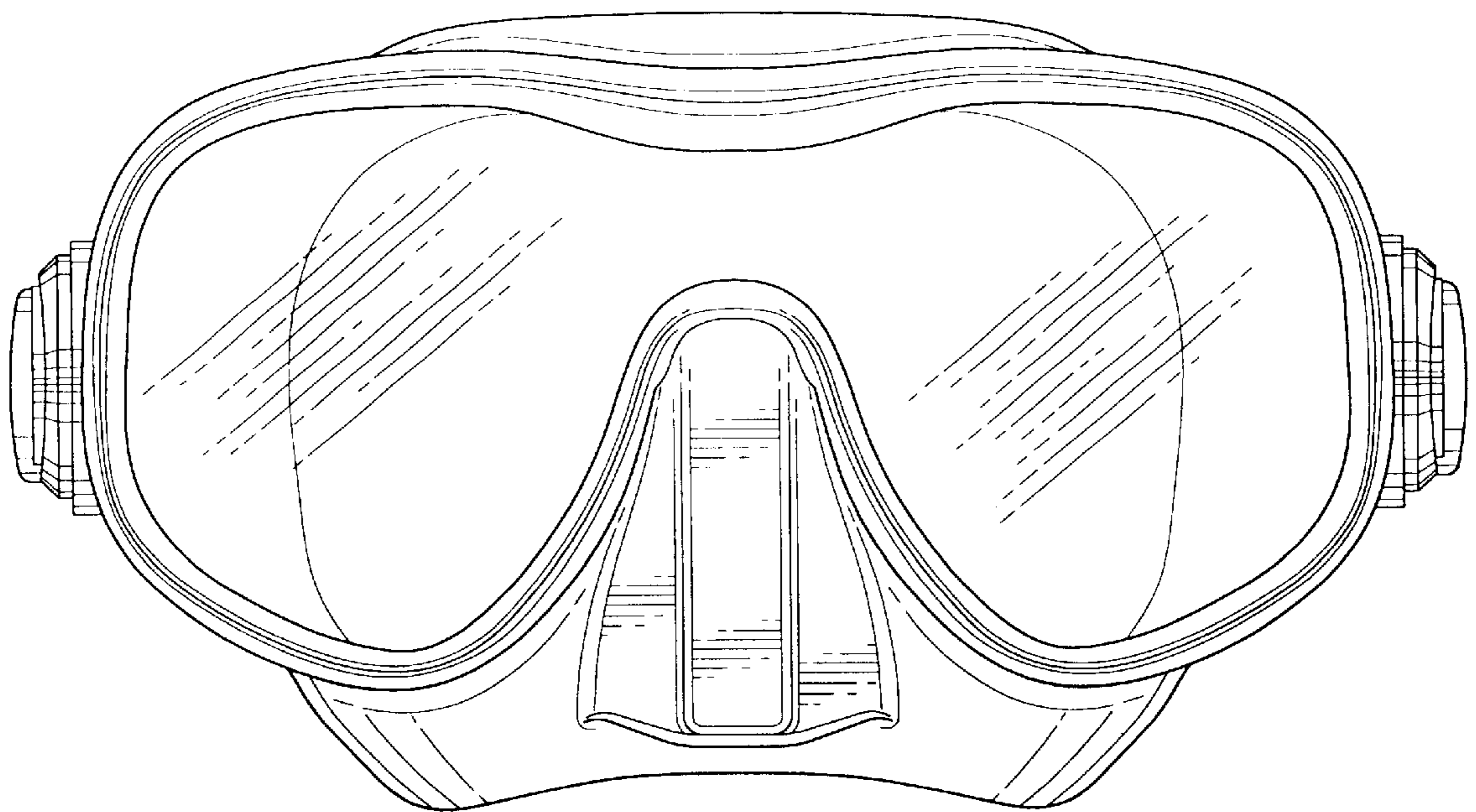


FIG. 5

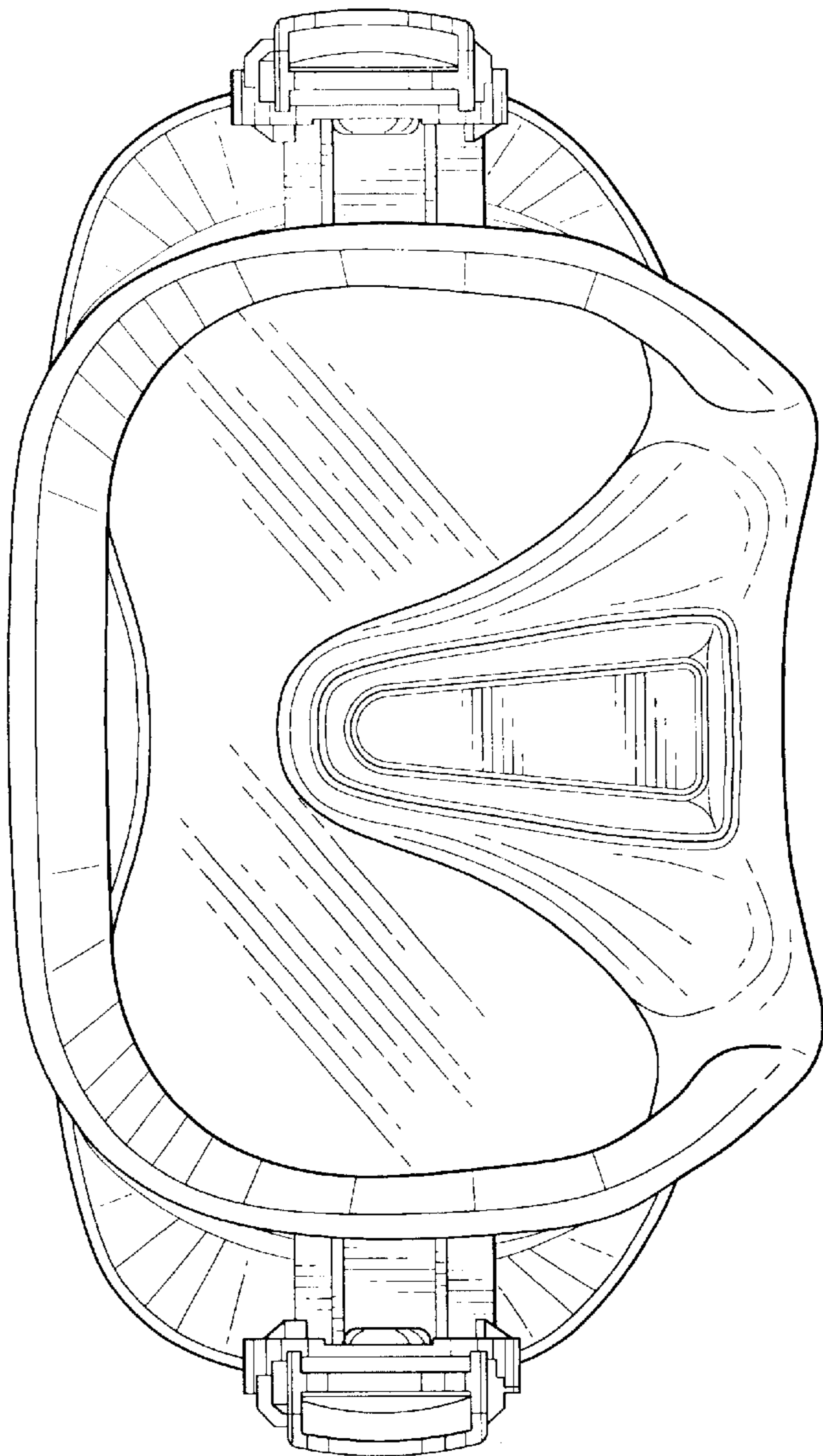


FIG. 4

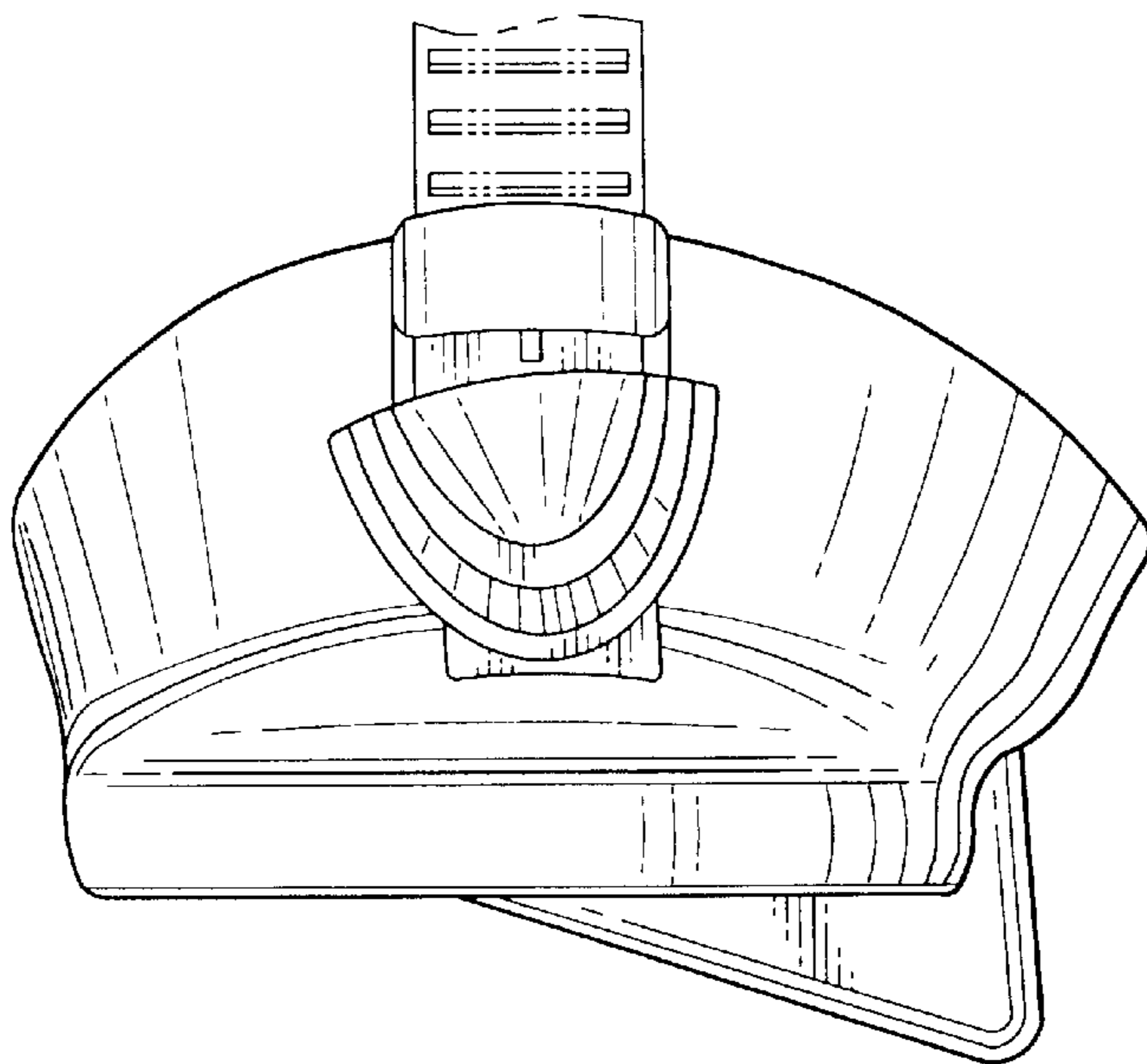


FIG. 6

