



US00D450832B1

(12) **United States Design Patent**  
**Gajewski**

(10) **Patent No.:** **US D450,832 S**

(45) **Date of Patent:** **\*\* Nov. 20, 2001**

(54) **HOUSING FOR A CEILING FAN**

(75) Inventor: **Mark Gajewski**, San Luis Obispo, CA  
(US)

(73) Assignee: **Minka Lighting, Inc.**, Corona, CA  
(US)

(\*\*) Term: **14 Years**

(21) Appl. No.: **29/134,416**

(22) Filed: **Dec. 20, 2000**

(51) **LOC (7) Cl.** ..... **23-04**

(52) **U.S. Cl.** ..... **D23/411**

(58) **Field of Search** ..... D23/377, 385,  
D23/411, 379; 416/5; D26/59

(56) **References Cited**

**U.S. PATENT DOCUMENTS**

D. 367,321 \* 2/1996 Holbrook ..... D23/411

D. 370,973 \* 6/1996 Wu ..... D23/411

\* cited by examiner

*Primary Examiner*—Lisa Lichtenstein

(74) *Attorney, Agent, or Firm*—Jenkins & Gilchrist, P.C.

(57) **CLAIM**

The ornamental design for the housing for a ceiling fan, as shown and described.

**DESCRIPTION**

FIG. 1 is a bottom plan view of the housing for a ceiling fan in accordance with my design;

FIG. 2 is an enlarged front view of the housing for a ceiling fan in accordance with my design;

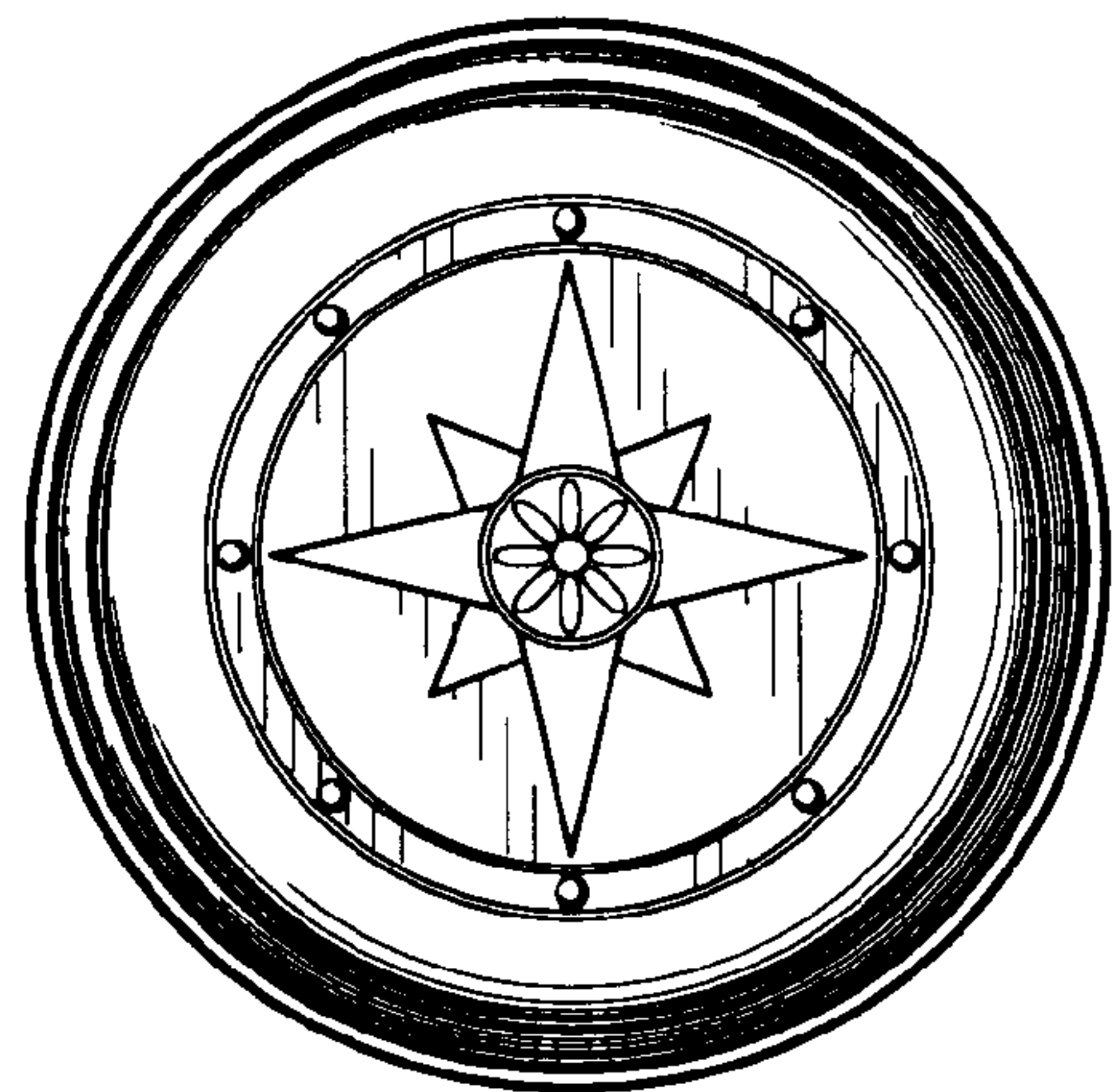
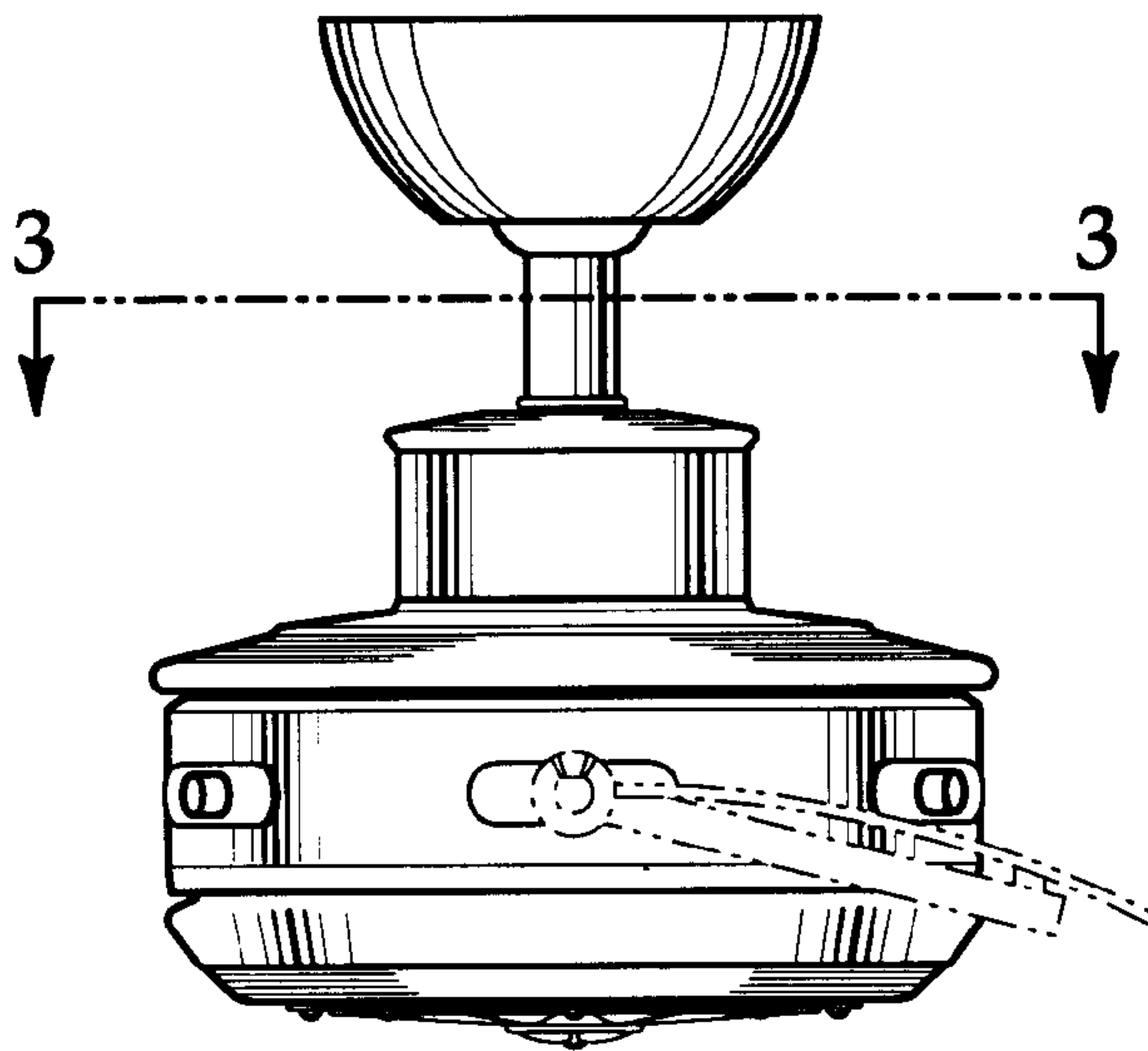
FIG. 3 is an enlarged top plan view taken along line 3—3 in FIG. 2; and,

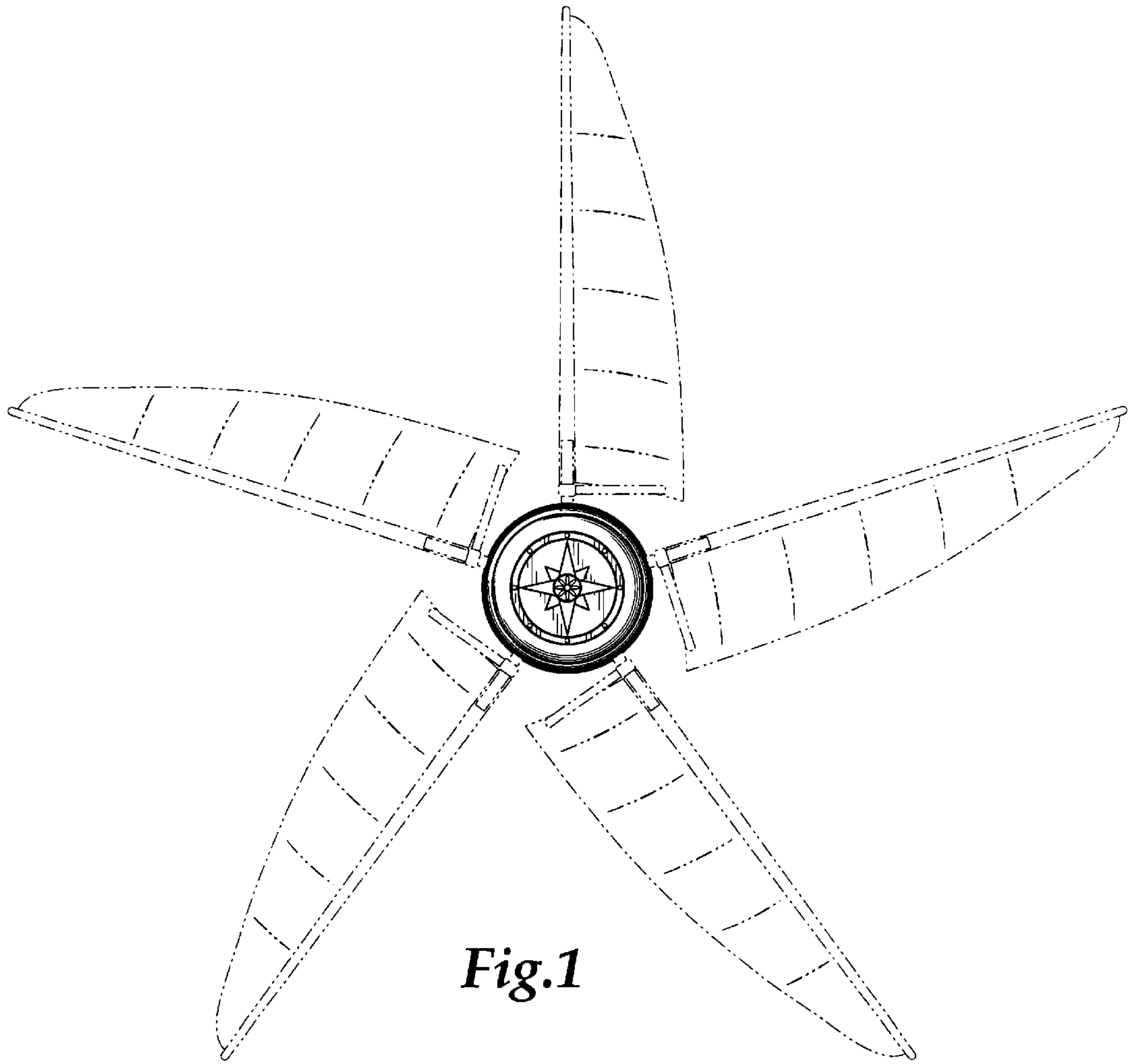
FIG. 4 is an enlarged bottom plan view of the housing for a ceiling fan in accordance with my design.

The front and rear, left and right elevational views are symmetrical.

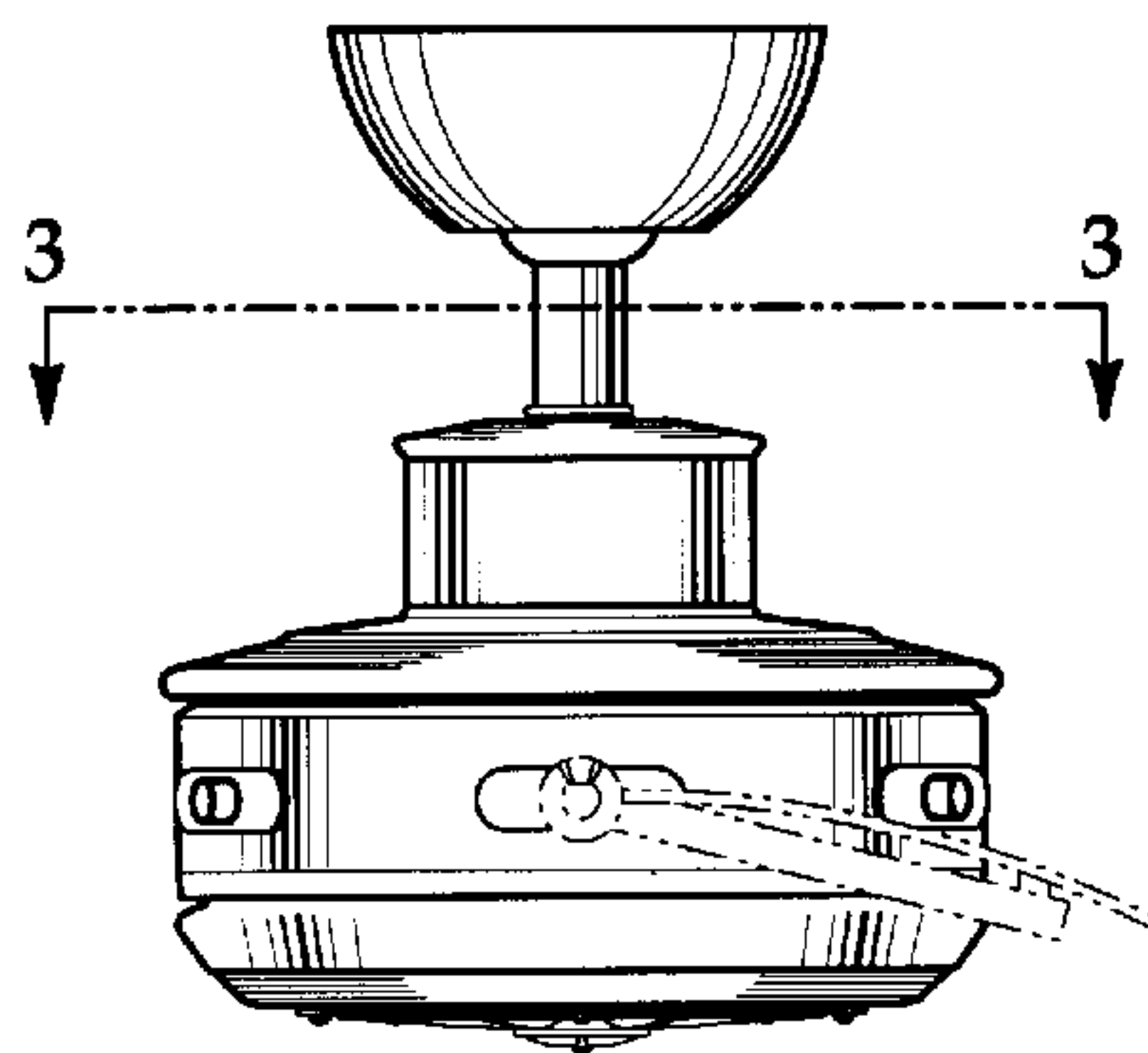
The broken line showing of environmental structure in FIGS. 1–3 is for illustrative purposes only and forms no part of the claimed design.

**1 Claim, 1 Drawing Sheet**

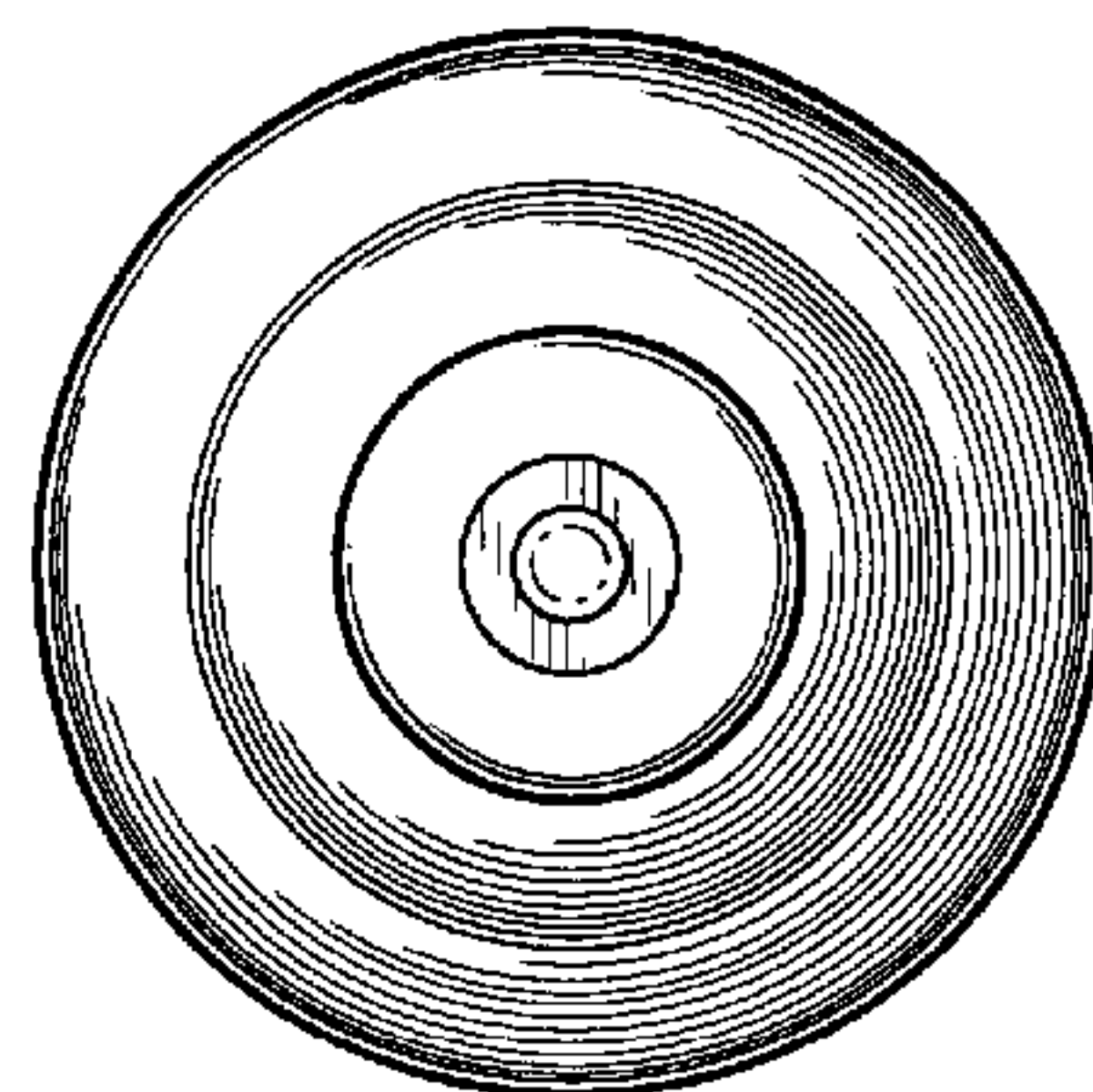




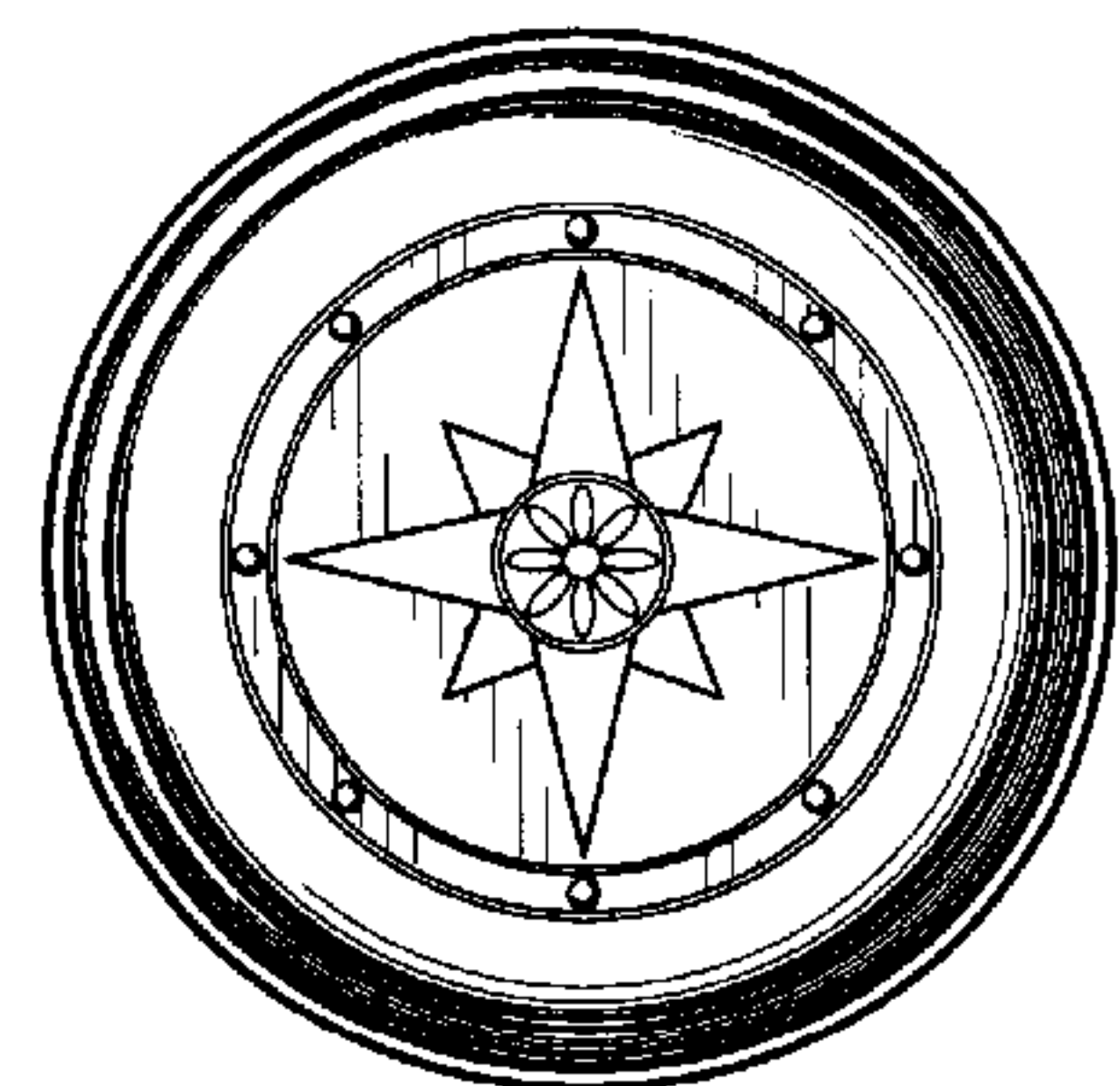
*Fig.1*



*Fig.2*



*Fig.3*



*Fig.4*