



US00D450830B1

(12) **United States Design Patent**
Hidalgo

(10) **Patent No.:** **US D450,830 S**

(45) **Date of Patent:** **** Nov. 20, 2001**

(54) **CEILING FAN**

(75) Inventor: **Rolando Hidalgo**, Orange, CA (US)

(73) Assignee: **Minka Lighting, Inc.**, Corona, CA (US)

(**) Term: **14 Years**

(21) Appl. No.: **29/134,758**

(22) Filed: **Dec. 29, 2000**

(51) **LOC (7) Cl.** **23-04**

(52) **U.S. Cl.** **D23/377**

(58) **Field of Search** D23/377, 379,
D23/385, 411, 413; 416/5; D26/81-86,
88, 59, 72, 51; 362/96, 294; 392/364

(56) **References Cited**

U.S. PATENT DOCUMENTS

- D. 358,878 * 5/1995 Tsuji D23/377
- D. 418,912 * 1/2000 La Spina D23/377

OTHER PUBLICATIONS

Minka Lighting, Inc.; MinkaAire: The Art of Air Management; Apr. 25, 1995; pp. 30-33, 36-39, and 42; Published in U.S.A.

Minka Lighting, Inc.; MinkaAire Two Thousand; Dec. 1, 1999; pp. 33-36, 38-39, 41-43; Published in U.S.A.

Minka Lighting, Inc.; MinkaAire Two Thousand One; Oct. 5, 2000; pp. 32-35; Published in U.S.A.

* cited by examiner

Primary Examiner—Lisa Lichtenstein

(74) *Attorney, Agent, or Firm*—Jenkins & Gilchrist, P.C.

(57) **CLAIM**

The ornamental design for the ceiling fan, as shown and described.

DESCRIPTION

FIG. 1 is a bottom plan view of the ceiling fan in accordance with my design;

FIG. 2 is a front elevational view of the ceiling fan in accordance with my design;

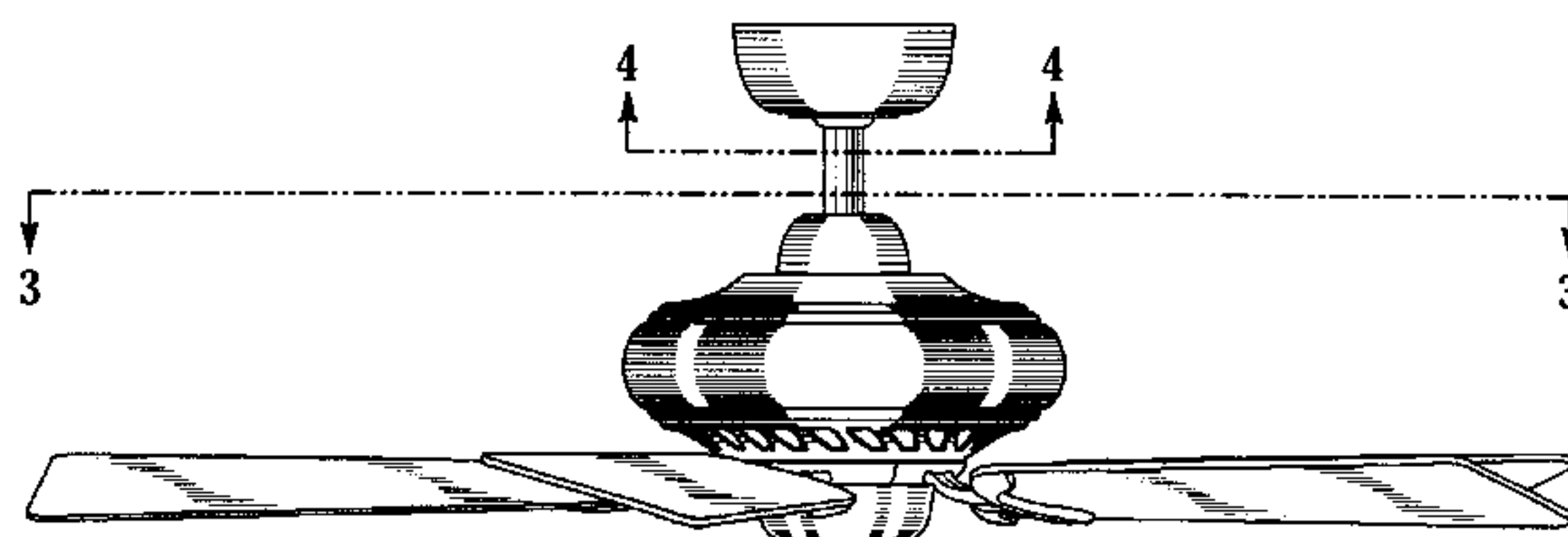
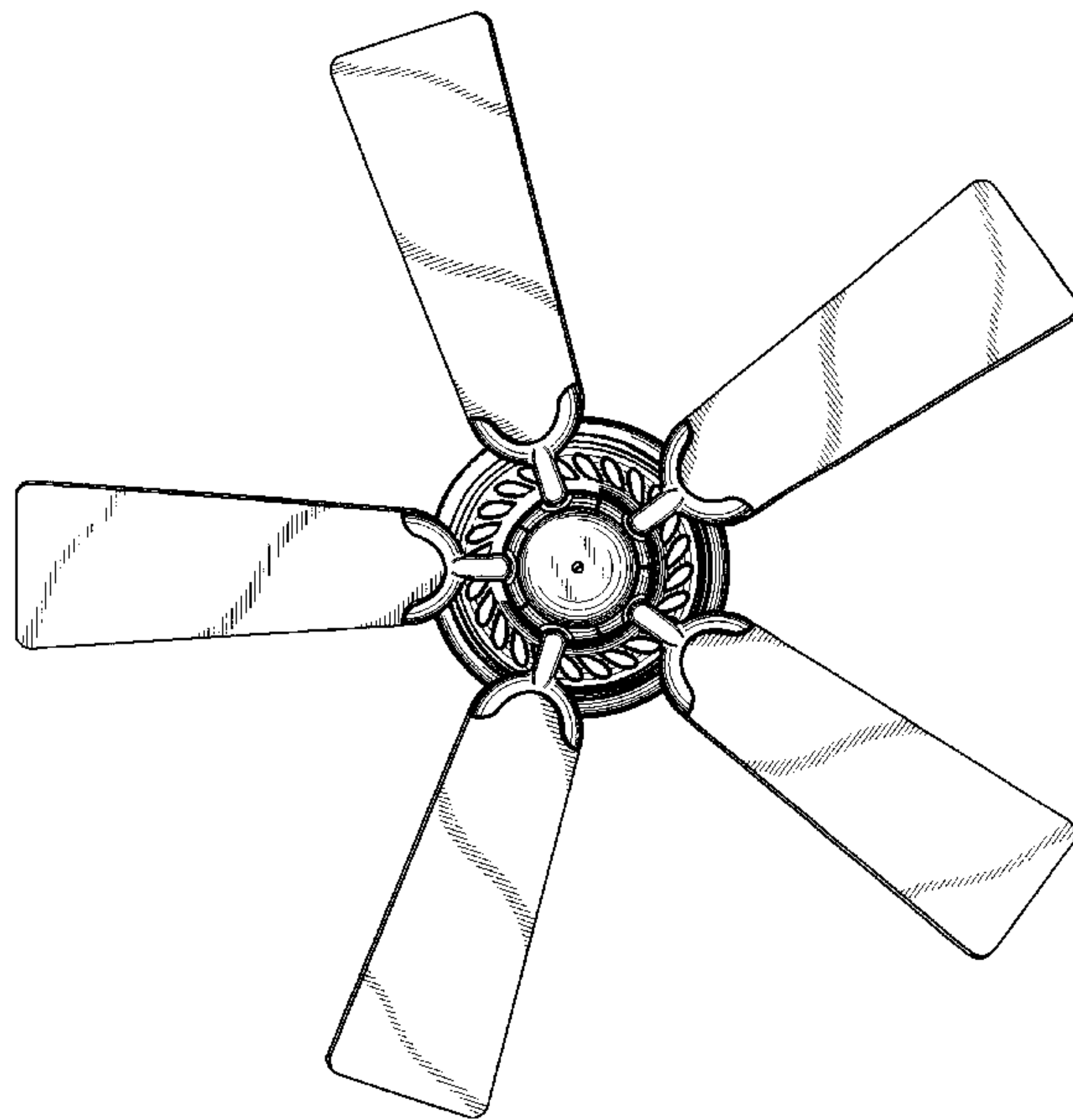
FIG. 3 is a top plan view of the ceiling fan in accordance with my design taken along line 3—3 in FIG. 2; and,

FIG. 4 is a bottom plan view of the ceiling fan bracket cover of the ceiling fan in accordance with my design taken along line 4—4 in FIG. 2, shown separately for clarity of illustration.

The front and rear, left and right elevational views are symmetrical.

The broken line showing of environmental structure in FIGS. 3 and 4 is for illustrative purposes only and forms no part of the claimed design.

1 Claim, 2 Drawing Sheets



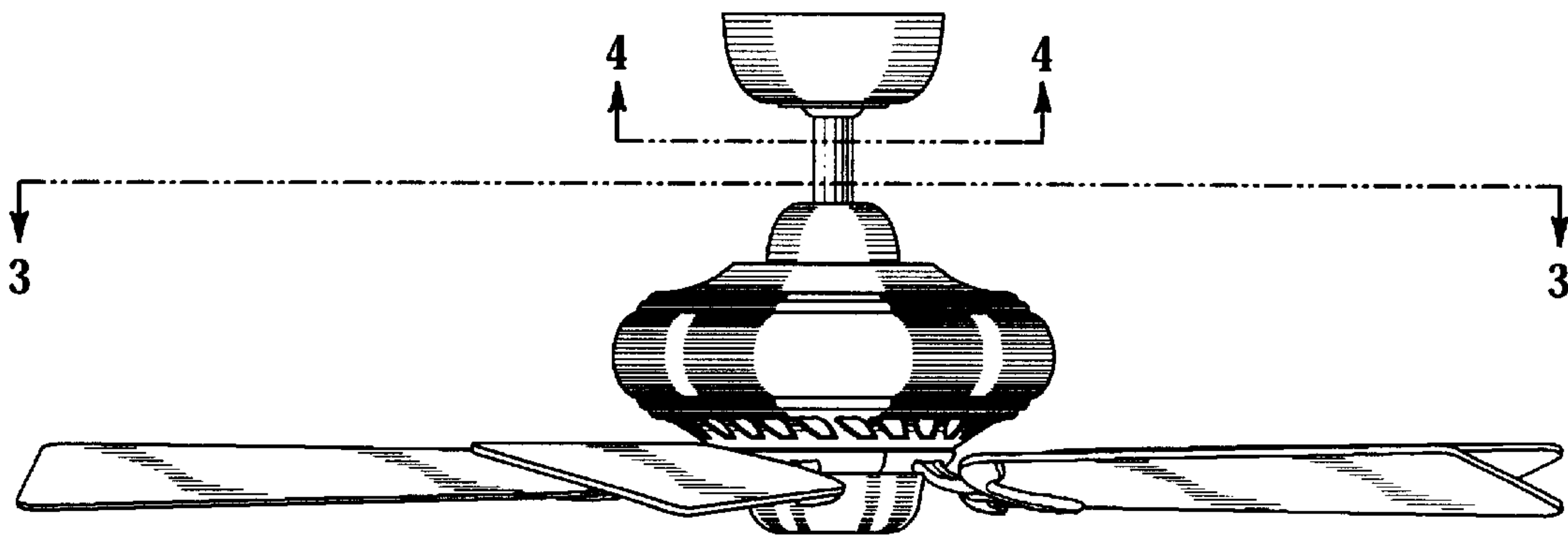
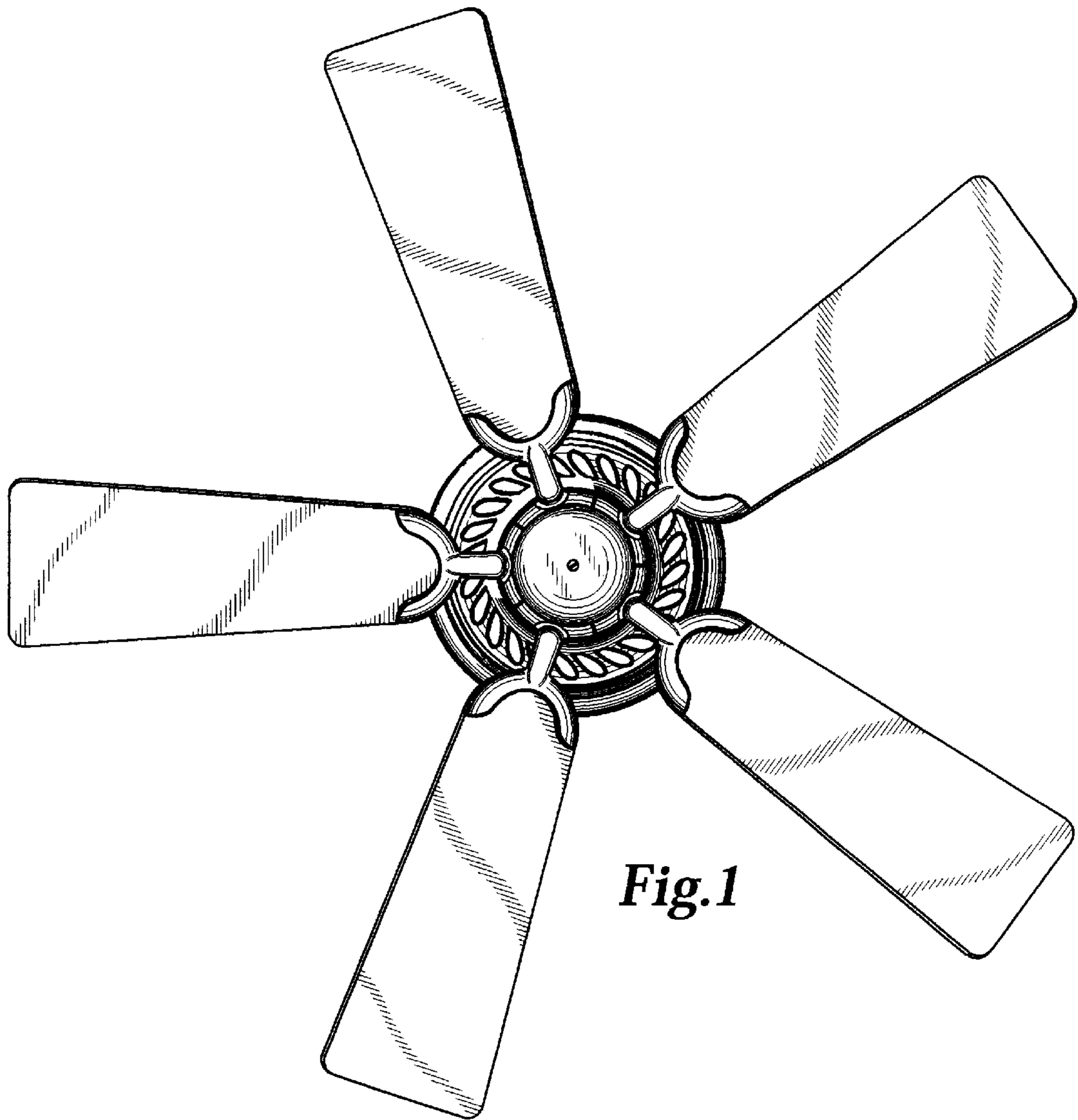


Fig. 2

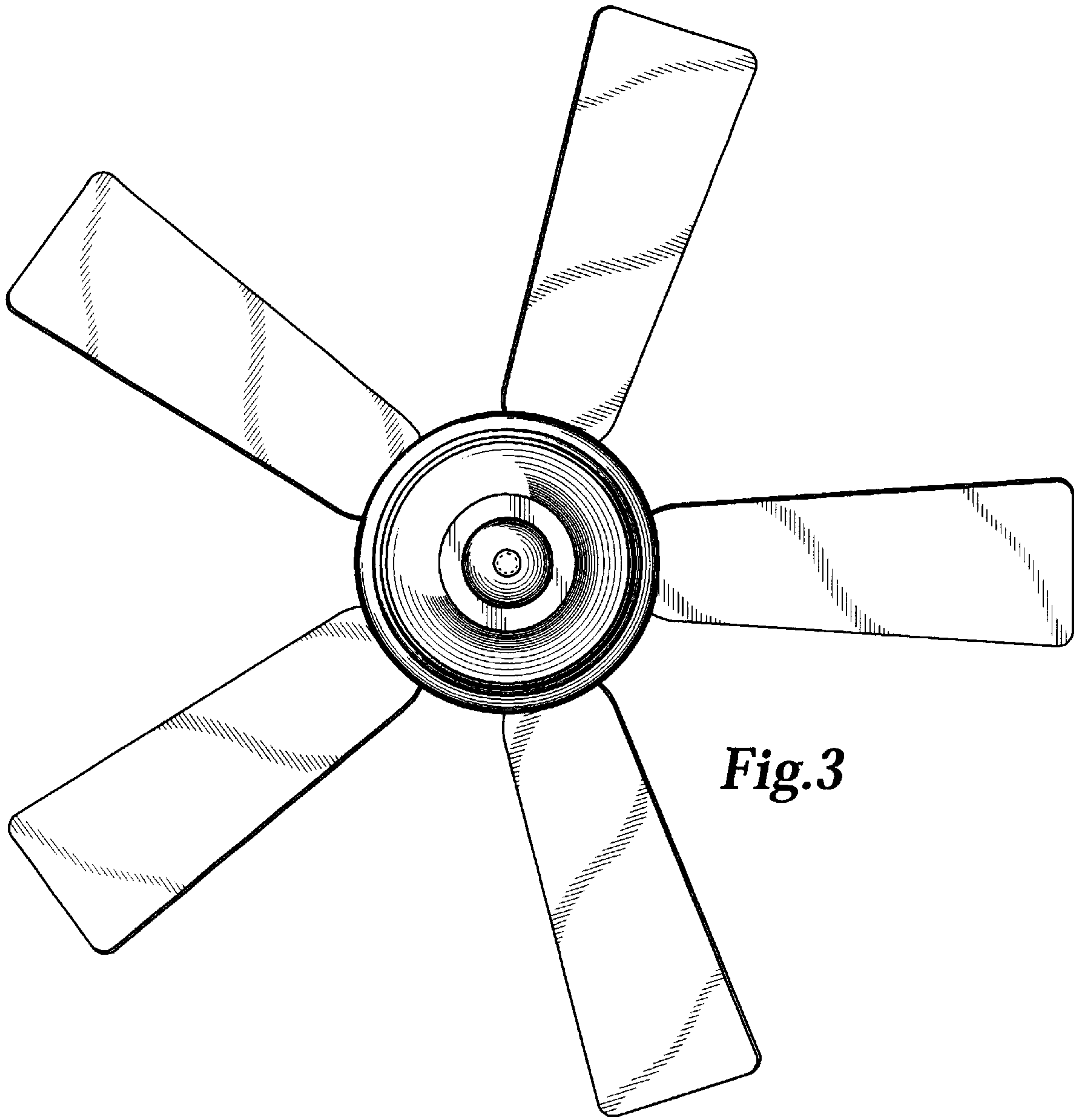


Fig.3

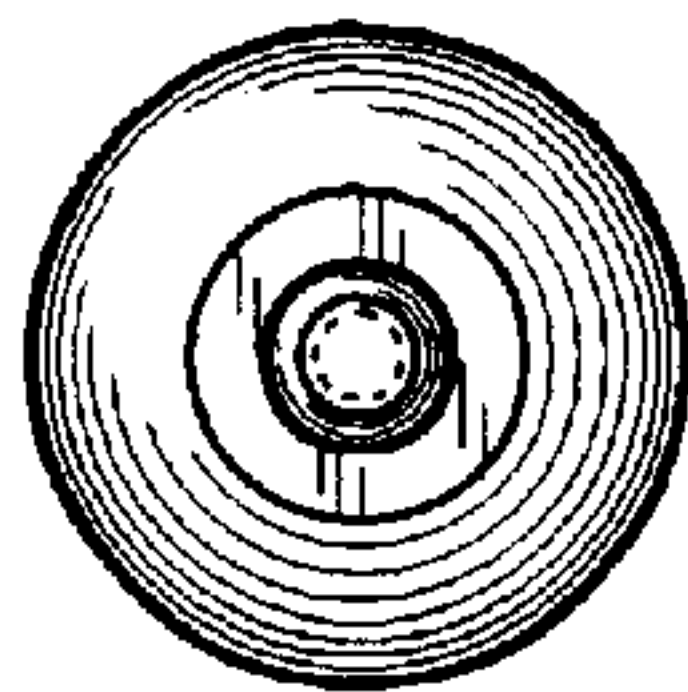


Fig.4