



US00D450826B1

(12) **United States Design Patent**
Song

(10) **Patent No.:** **US D450,826 S**

(45) **Date of Patent:** **** Nov. 20, 2001**

(54) **AIR FILTER**

5,248,323 * 9/1993 Stevenson 55/DIG. 3

(76) **Inventor:** **Seoung-Wook Song**, 5-103 Kaepo
1-cha Woosung Apt., 503 Daechi
1-dong, Kangnam-gu, Seoul (KR),
135-281

* cited by examiner

Primary Examiner—Lisa Lichtenstein
(74) *Attorney, Agent, or Firm*—R. Neil Sudol; Henry D.
Coleman

(**) **Term:** **14 Years**

(57) **CLAIM**

(21) **Appl. No.:** **29/093,006**

The ornamental design for an air filter, as shown and described.

(22) **Filed:** **Sep. 1, 1998**

(30) **Foreign Application Priority Data**

Jul. 24, 1998 (KR) 98-12490

DESCRIPTION

(51) **LOC (7) Cl.** **23-04**

FIG. 1 is a perspective view of an air filter, showing my new design;

(52) **U.S. Cl.** **D23/365**

FIG. 2 is a front, rear, and left and right side elevational view thereof;

(58) **Field of Search** D23/365; 55/DIG. 3,
55/521

FIG. 3 is a top plan view thereof; and,

FIG. 4 is a bottom plan view thereof.

The broken-line showing of environmental structure is for illustrative purposes only and forms no part of the claimed design.

(56) **References Cited**

U.S. PATENT DOCUMENTS

3,653,189 * 4/1972 Miyake et al. 55/471

1 Claim, 3 Drawing Sheets

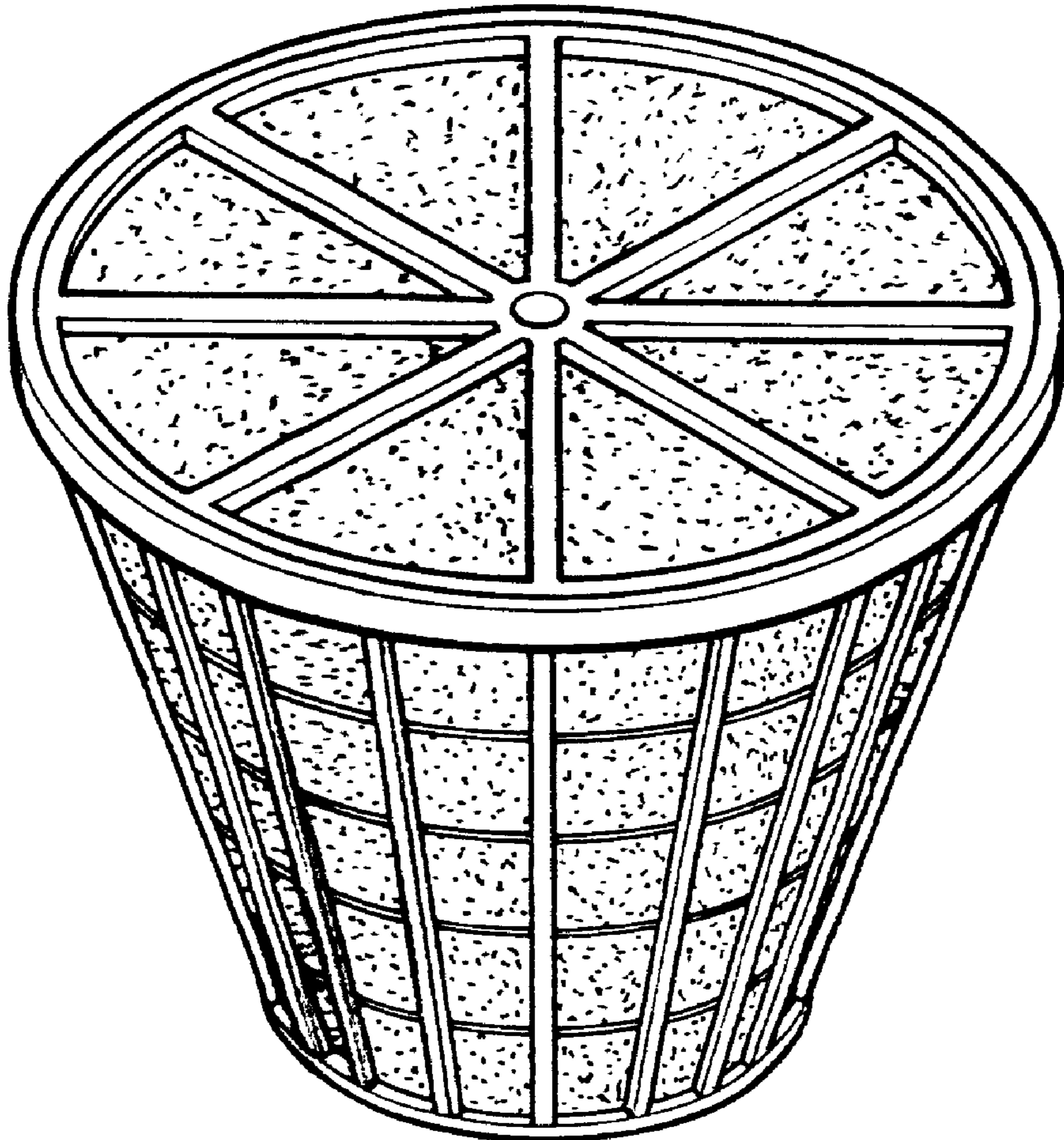


FIG. 1

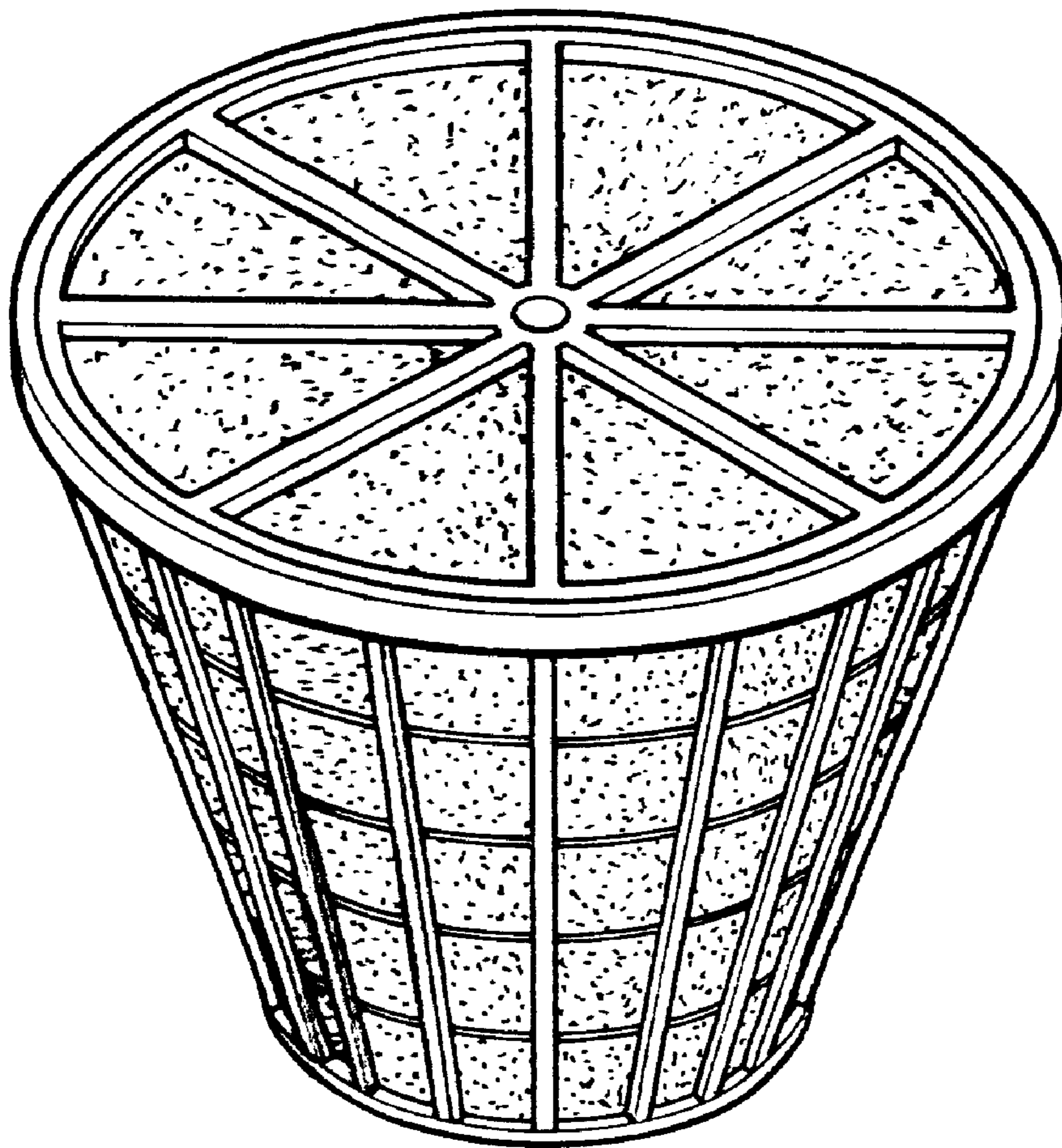


FIG. 2

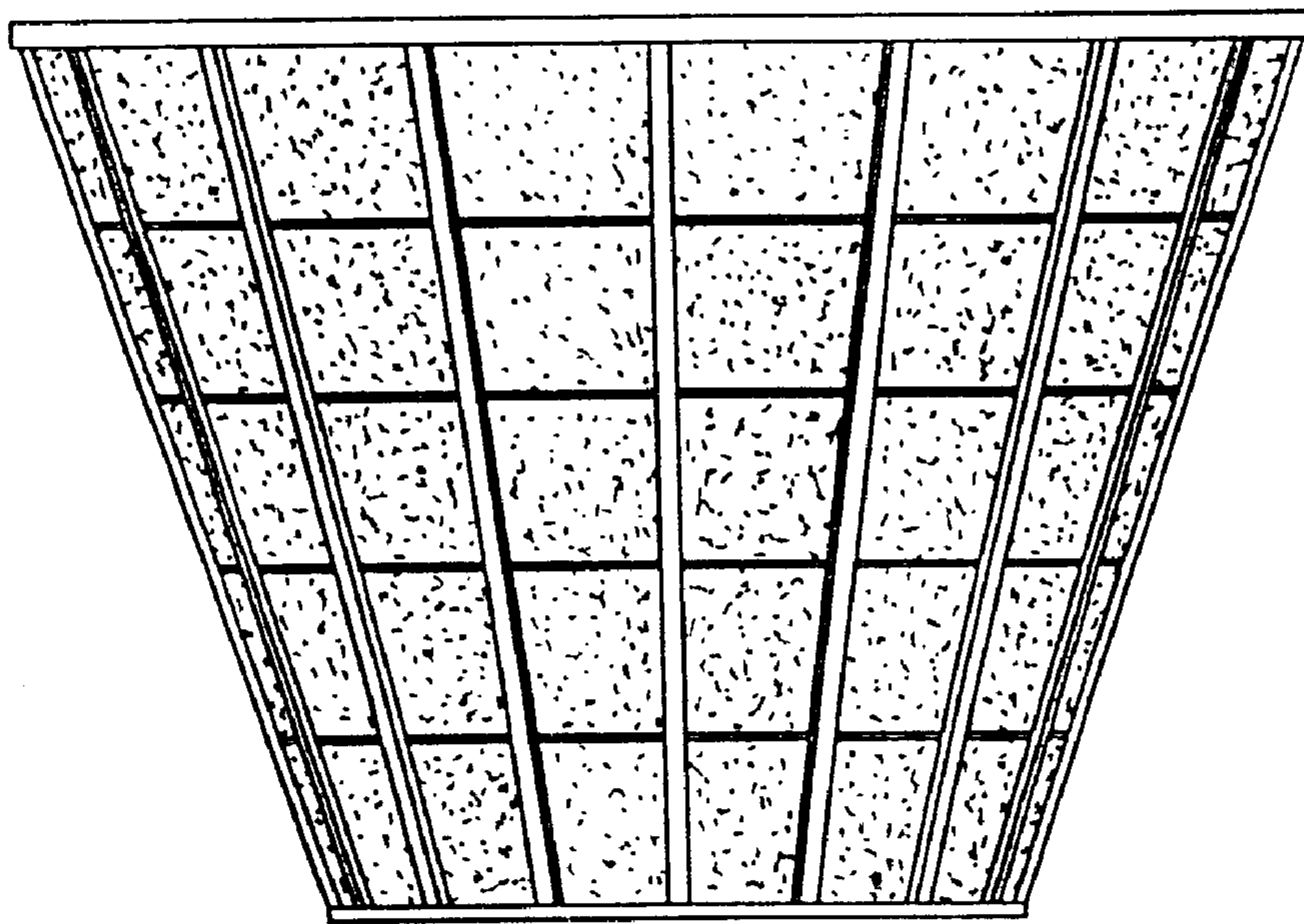


FIG. 3

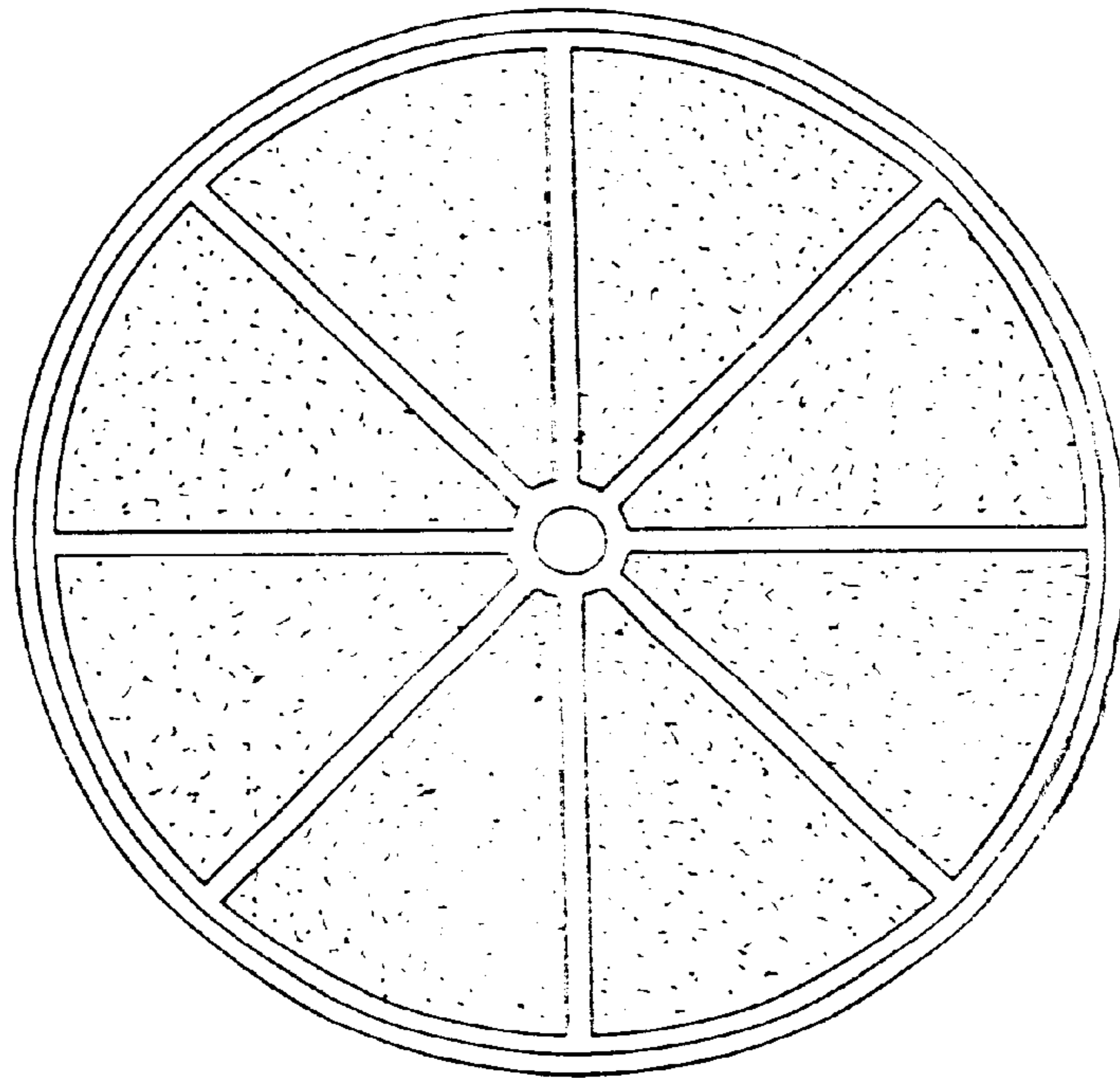


FIG. 4

