



US00D450824B1

(12) **United States Design Patent**  
**Kurokawa et al.**

(10) **Patent No.:** **US D450,824 S**

(45) **Date of Patent:** **\*\* Nov. 20, 2001**

(54) **SLIDE DOOR TO CHANGE OVER THE AIR PATH IN AN AIR CONDITIONER**

5,188,561 \* 2/1993 Nissimoff .  
5,845,980 \* 12/1998 Fricano et al. .  
6,059,653 \* 5/2000 Gehring et al. .  
6,227,635 \* 5/2001 Teppo et al. .

(75) Inventors: **Katsuhiro Kurokawa; Akihiro Tsurushima**, both of Tokyo (JP)

\* cited by examiner

(73) Assignee: **Calsonic Kansei Corporation**, Tokyo (JP)

*Primary Examiner*—B. J. Bullock  
(74) *Attorney, Agent, or Firm*—Sughrue, Mion, Zinn, Macpeak & Seas, PLLC

(\*\*) Term: **14 Years**

(21) Appl. No.: **29/121,125**

(22) Filed: **Apr. 4, 2000**

(30) **Foreign Application Priority Data**

Oct. 29, 1999 (JP) ..... 11-29643

(51) **LOC (7) Cl.** ..... **23-04**

(52) **U.S. Cl.** ..... **D23/354**

(58) **Field of Search** ..... D23/351, 354,  
D23/386, 387, 391, 392; 165/41, 43; 49/41,  
40, 275, 350, 353, 336, 361, 362, 341;  
454/143, 152, 154, 155, 284, 313, 316,  
330, 334; D25/48

(56) **References Cited**

**U.S. PATENT DOCUMENTS**

4,282,689 \* 8/1981 Royer ..... D25/48

(57) **CLAIM**

The ornamental design for a slide door to change over the air path in an air conditioner, as shown and described.

**DESCRIPTION**

FIG. 1 is a perspective view of the top and rear of a slide door to change over the air path in an air conditioner showing our new design;

FIG. 2 is a side elevational view thereof;

FIG. 3 is a rear elevational view thereof;

FIG. 4 is a top plan view thereof;

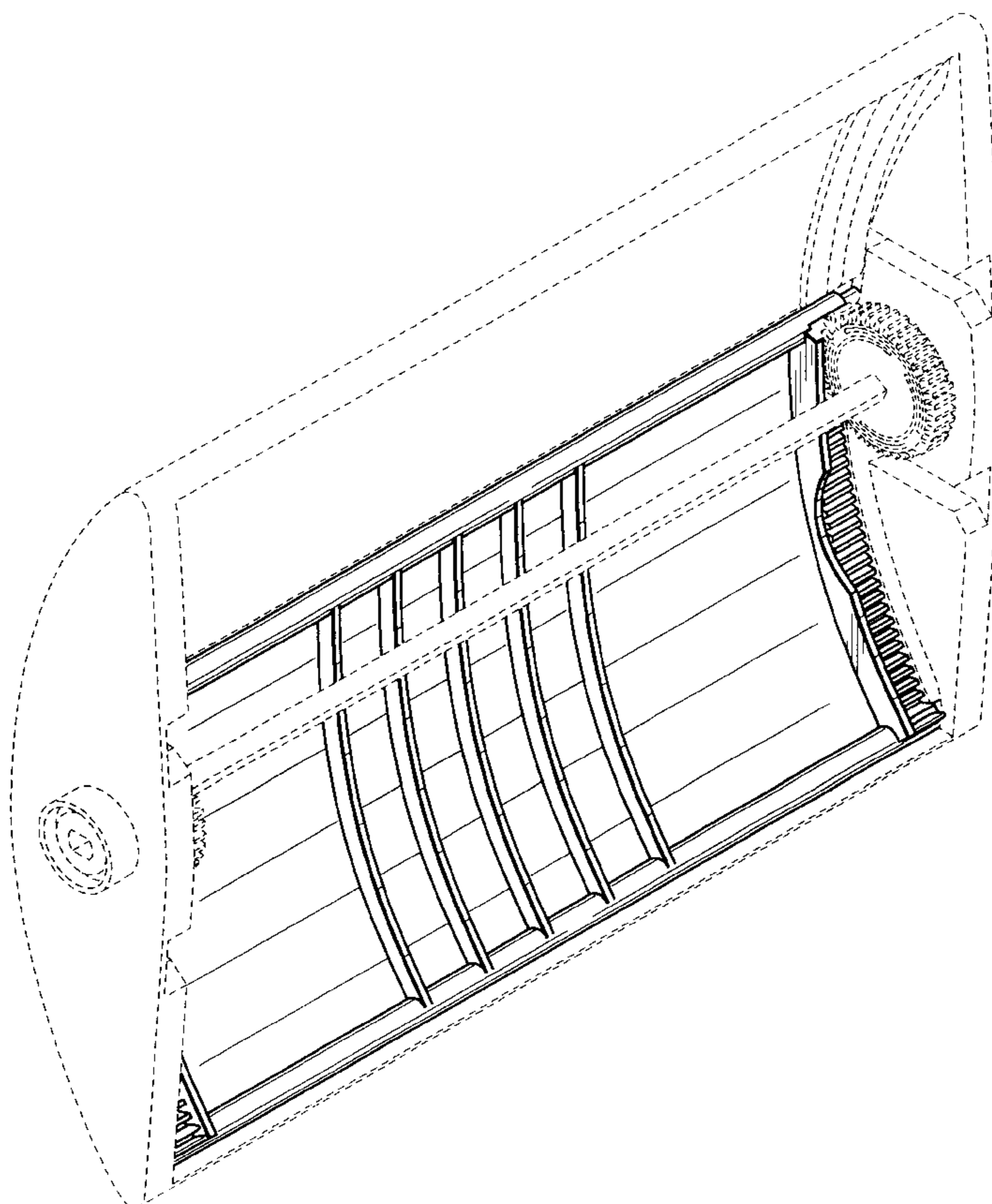
FIG. 5 is a bottom plan view thereof;

FIG. 6 is a front elevational view thereof; and,

FIG. 7 is a view similar to FIG. 1 with the slide door in an intermediate position.

The components shown in phantom lines are for background purposes only and do not form part of the claimed design.

**1 Claim, 5 Drawing Sheets**



*FIG. 1*

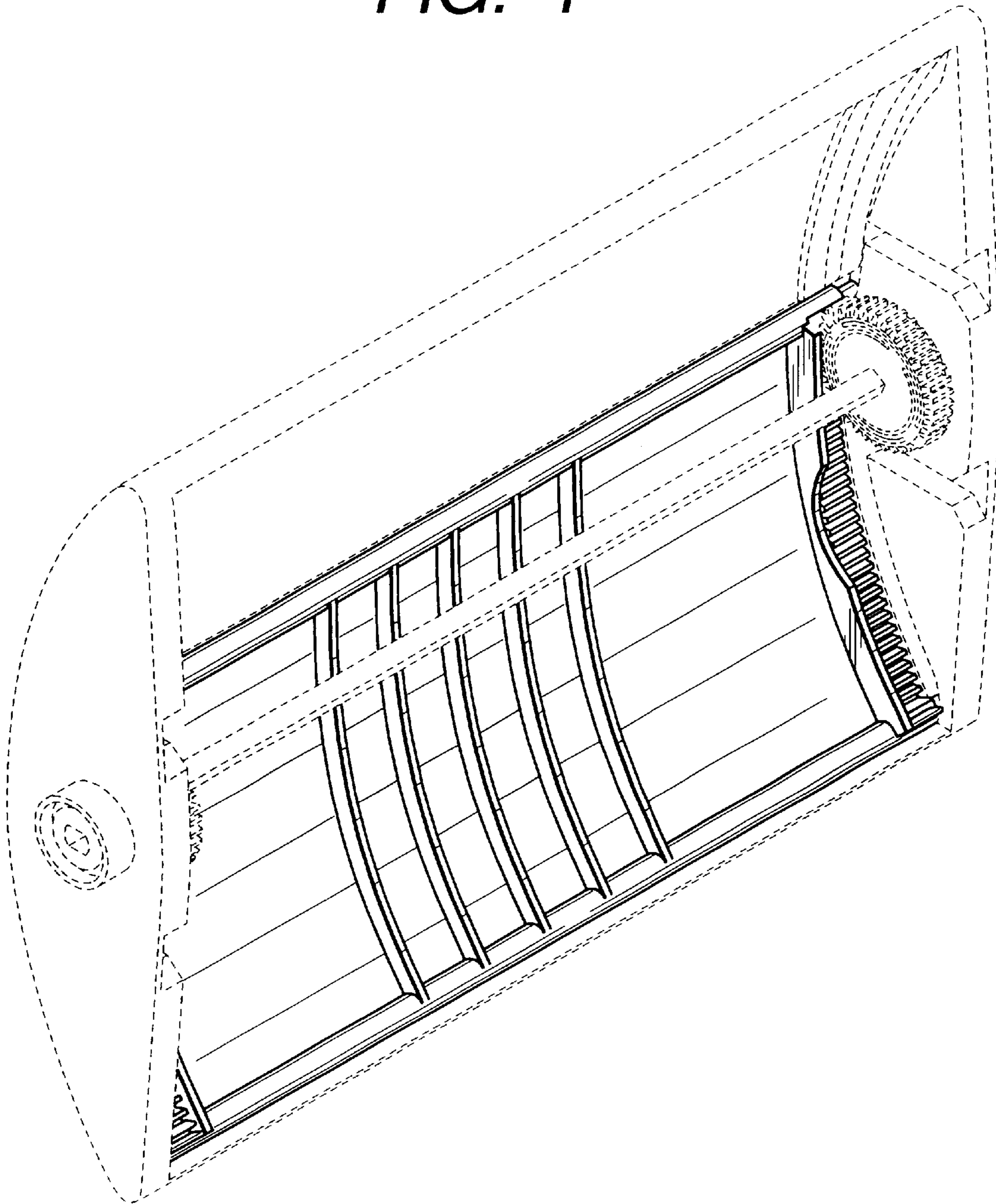


FIG. 3

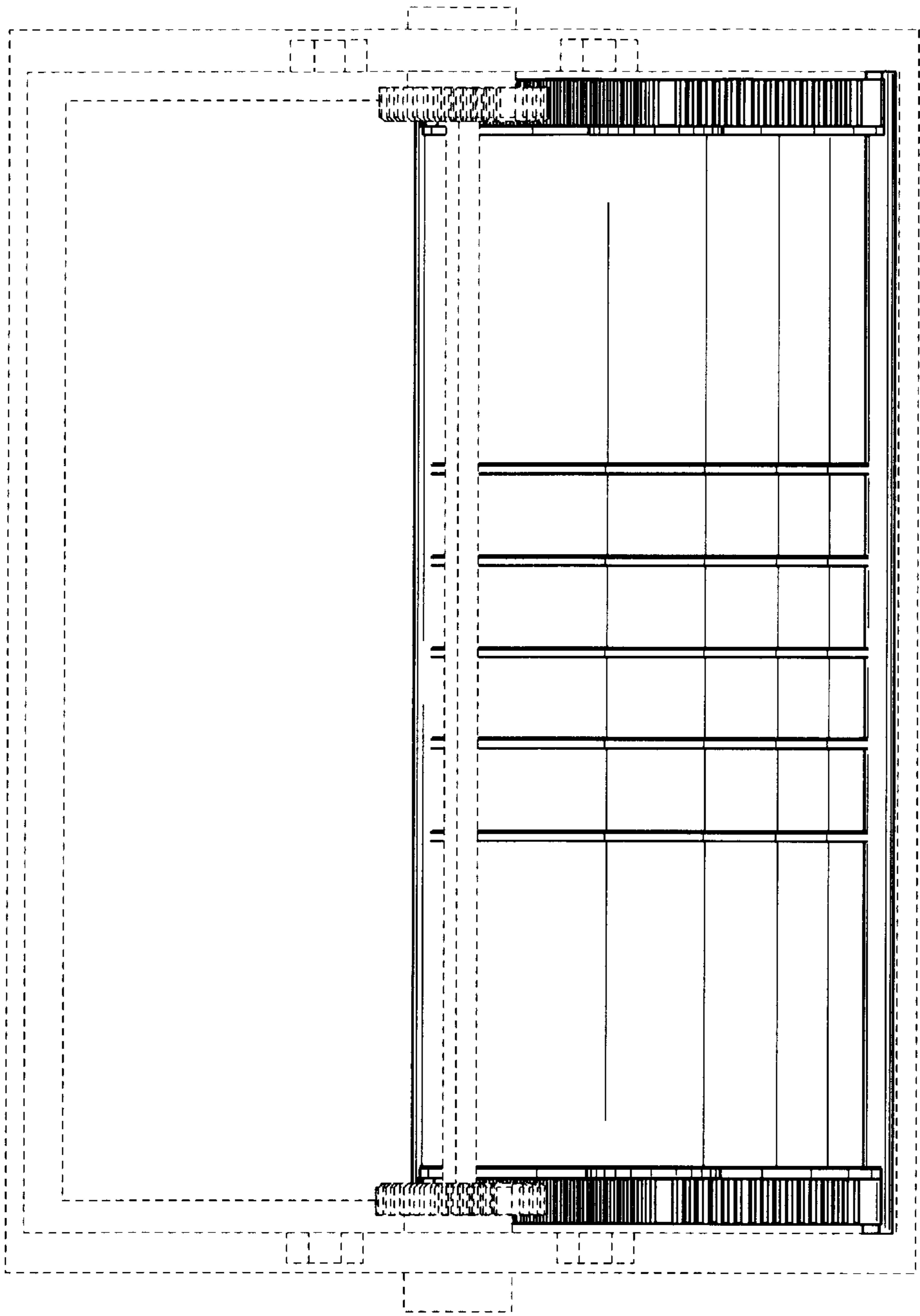
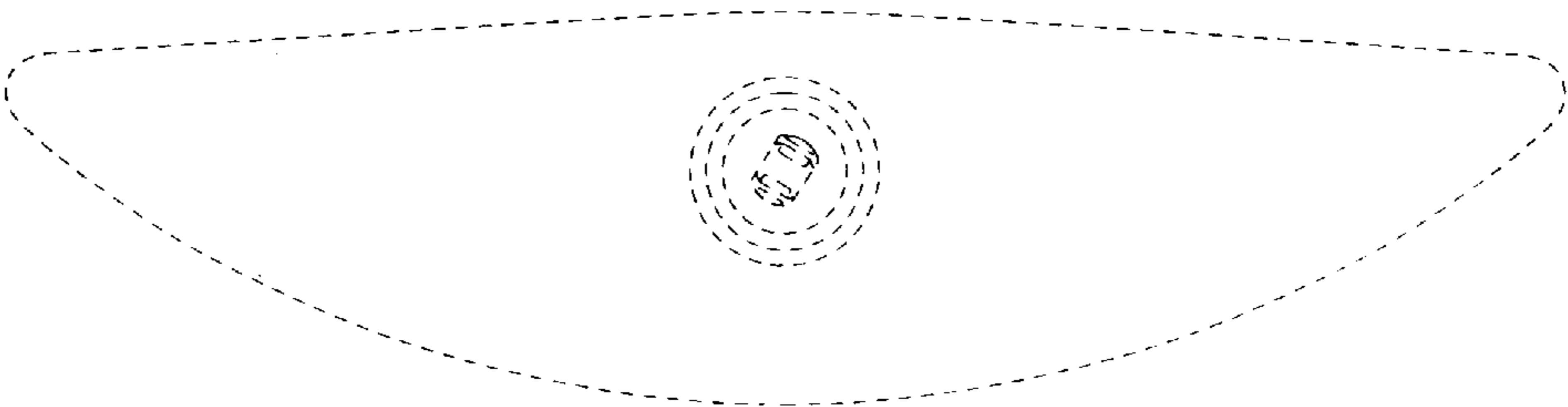
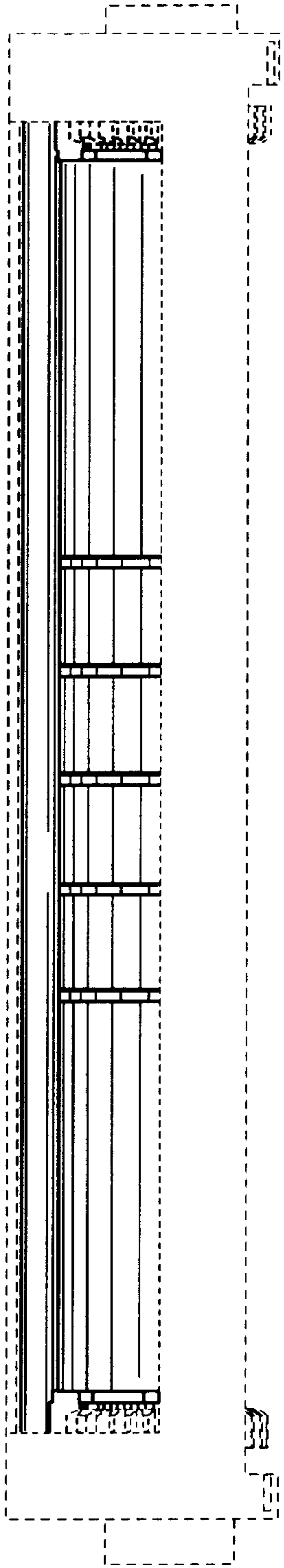


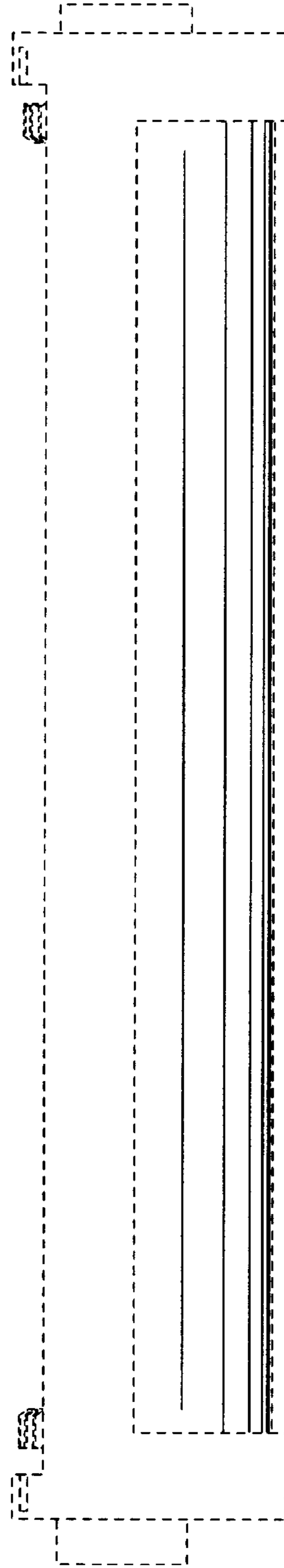
FIG. 2



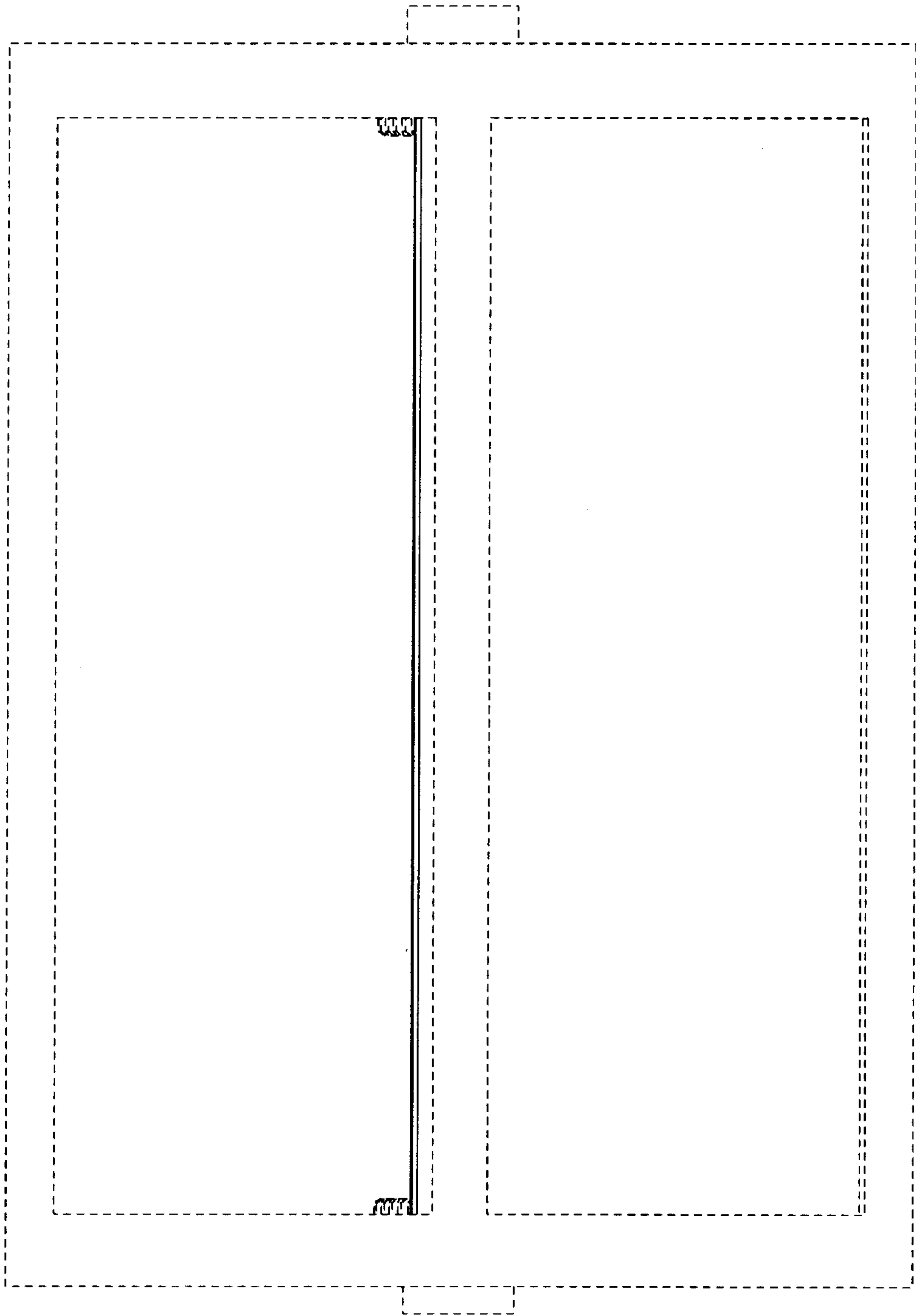
**FIG. 4**



**FIG. 5**



**FIG. 6**



*FIG. 7*

