



US00D450822B1

(12) **United States Design Patent**
Mills

(10) **Patent No.:** **US D450,822 S**

(45) **Date of Patent:** **** Nov. 20, 2001**

(54) **FREE STANDING STOVE**

(75) **Inventor:** **Bob Mills, Saanichton (CA)**

(73) **Assignee:** **Osburn Manufacturing, Inc.,
Saanichton (CA)**

(**) **Term:** **14 Years**

(21) **Appl. No.:** **29/120,756**

(22) **Filed:** **Mar. 23, 2000**

(51) **LOC (7) Cl.** **23-02**

(52) **U.S. Cl.** **D23/350; D23/343**

(58) **Field of Search** **D23/343-345,
D23/350, 404; 126/500, 520, 523, 527,
536, 555, 544, 25 R, 58, 8**

(56) **References Cited**

U.S. PATENT DOCUMENTS

D. 266,584 * 10/1982 Thulman et al. .

D. 299,952 * 2/1989 Mowray .

D. 305,928 * 2/1990 Heger .

D. 359,345 * 6/1995 Schroeter .

D. 359,551 * 6/1995 Larson et al. .

* cited by examiner

Primary Examiner—B. J. Bullock

(74) *Attorney, Agent, or Firm*—Michael A. Glenn

(57) **CLAIM**

The ornamental design for a free standing stove, as shown and described.

DESCRIPTION

FIG. 1 is a right front perspective view thereof;

FIG. 2 is a left front perspective view thereof;

FIG. 3 is a front view thereof;

FIG. 4 is a rear view thereof;

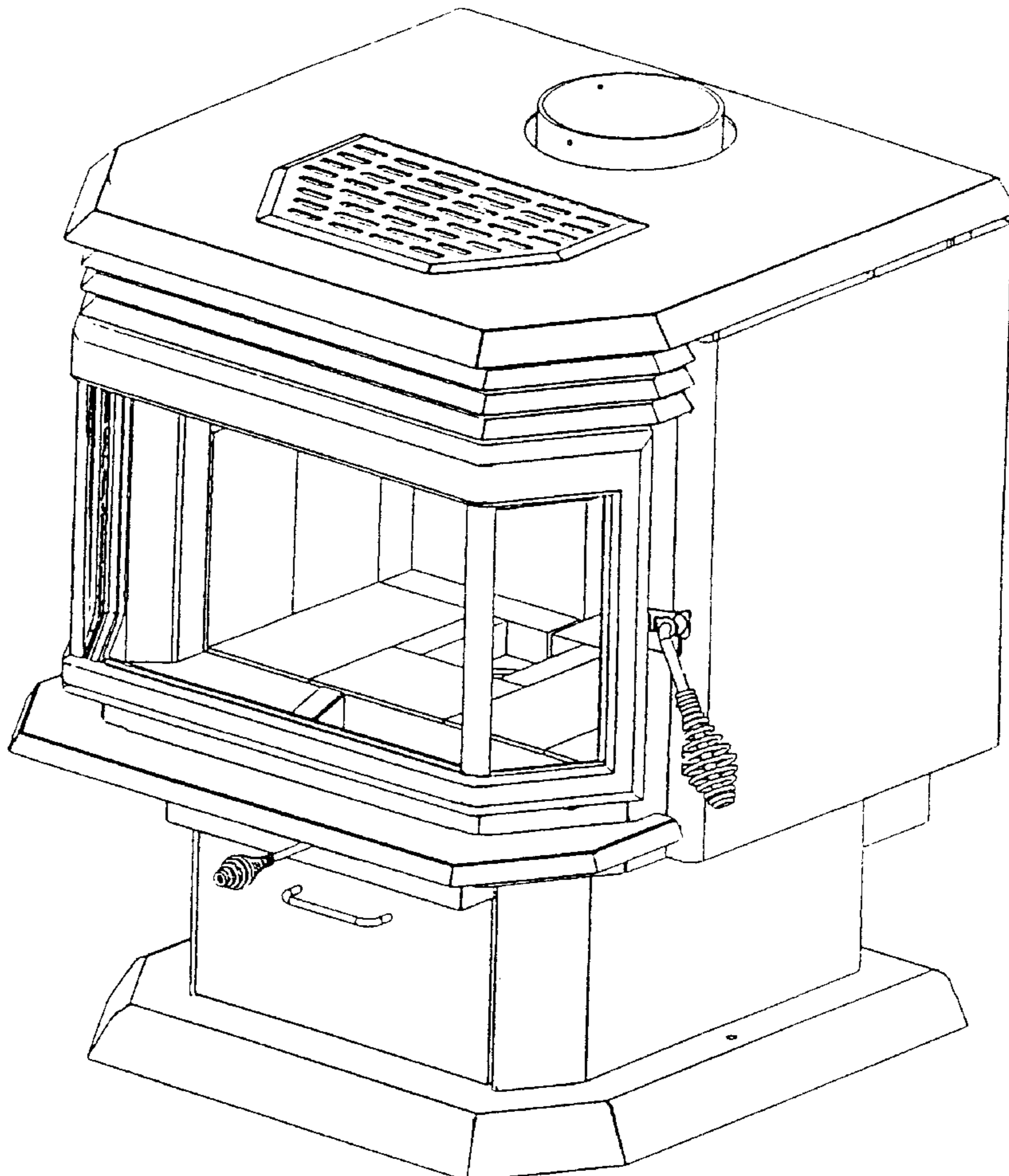
FIG. 5 is a rear perspective view thereof;

FIG. 6 is a bottom view thereof;

FIG. 7 is a side view thereof; and,

FIG. 8 is a top view thereof.

1 Claim, 8 Drawing Sheets



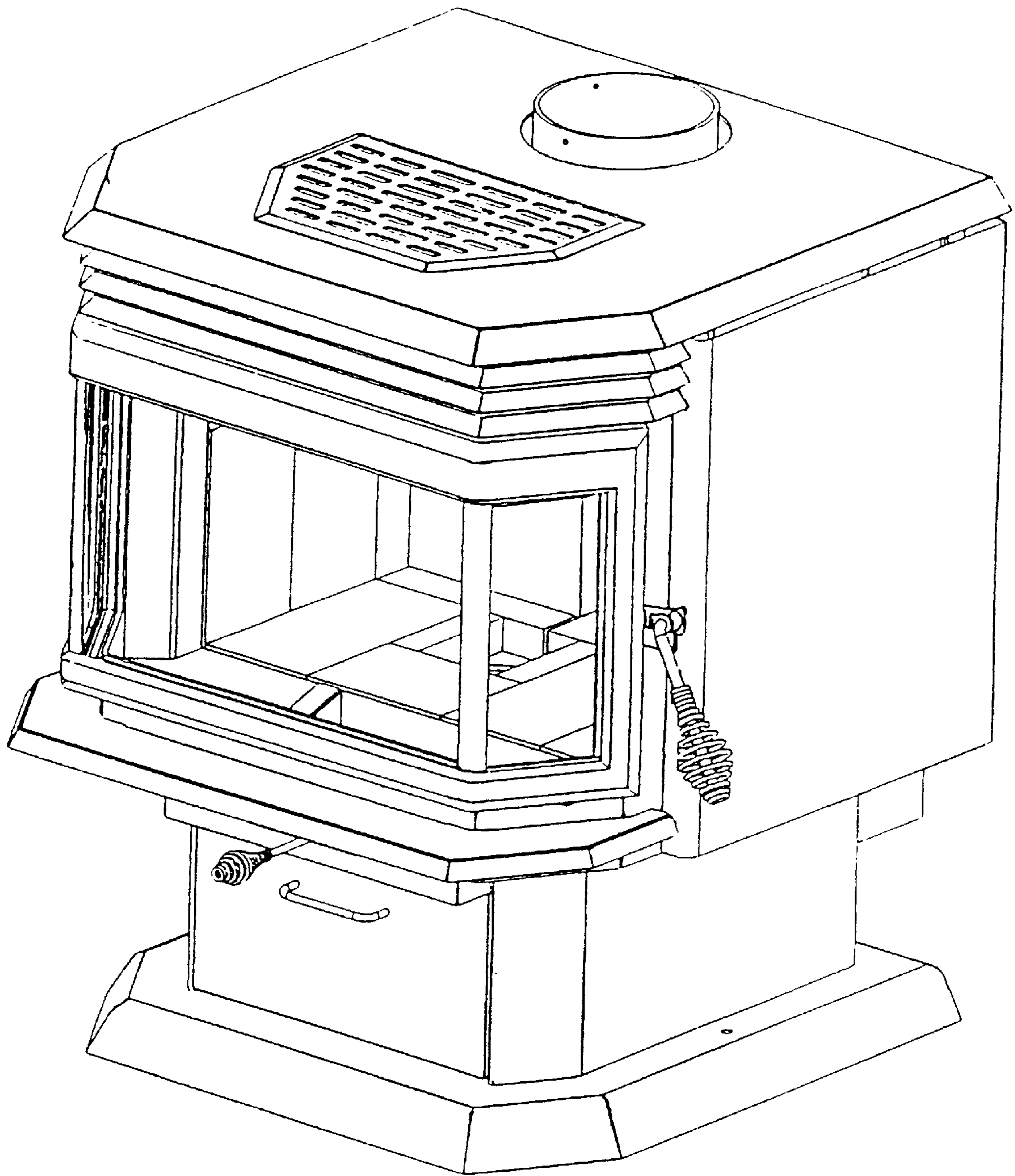


Fig. 1

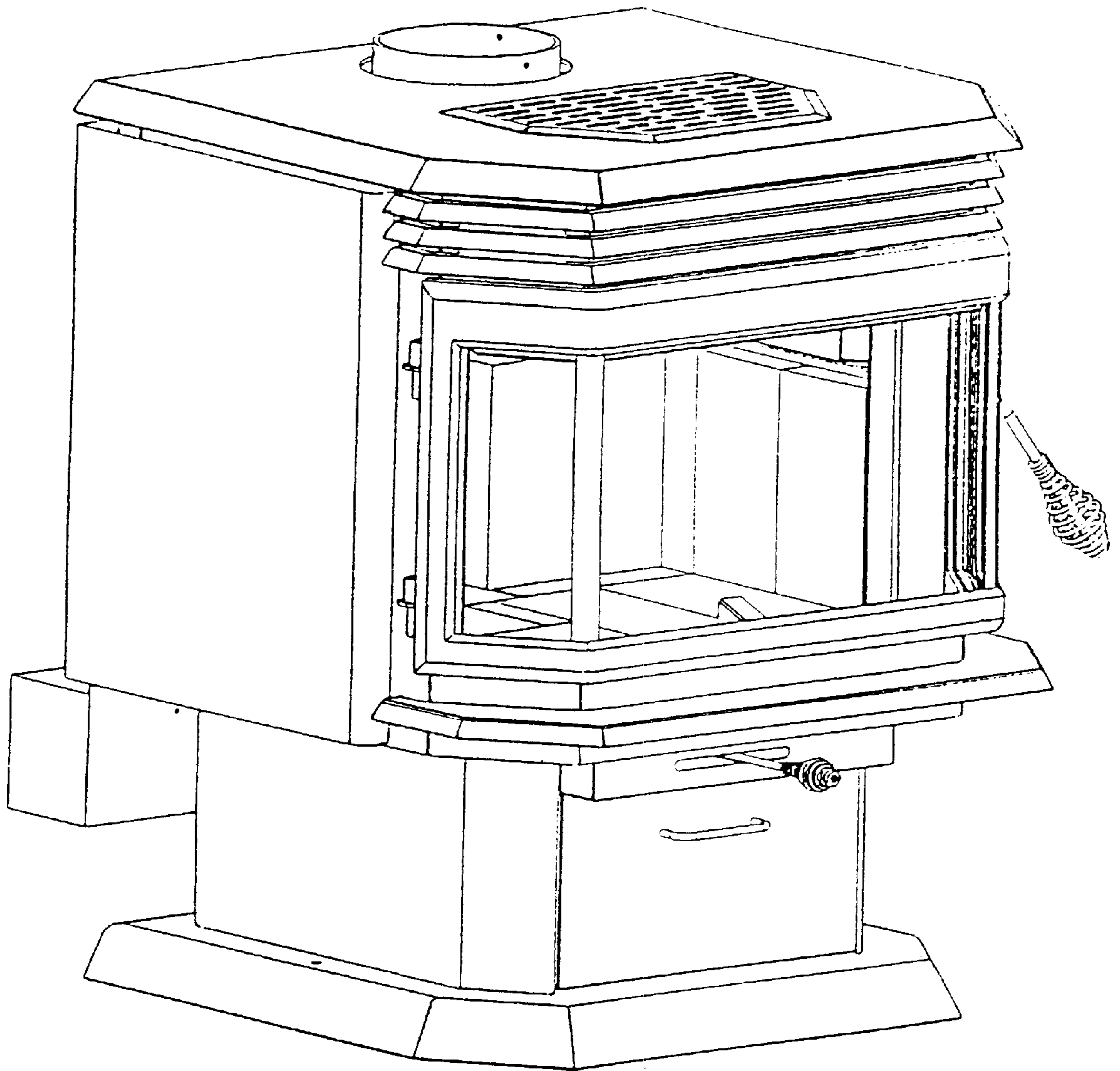


Fig. 2

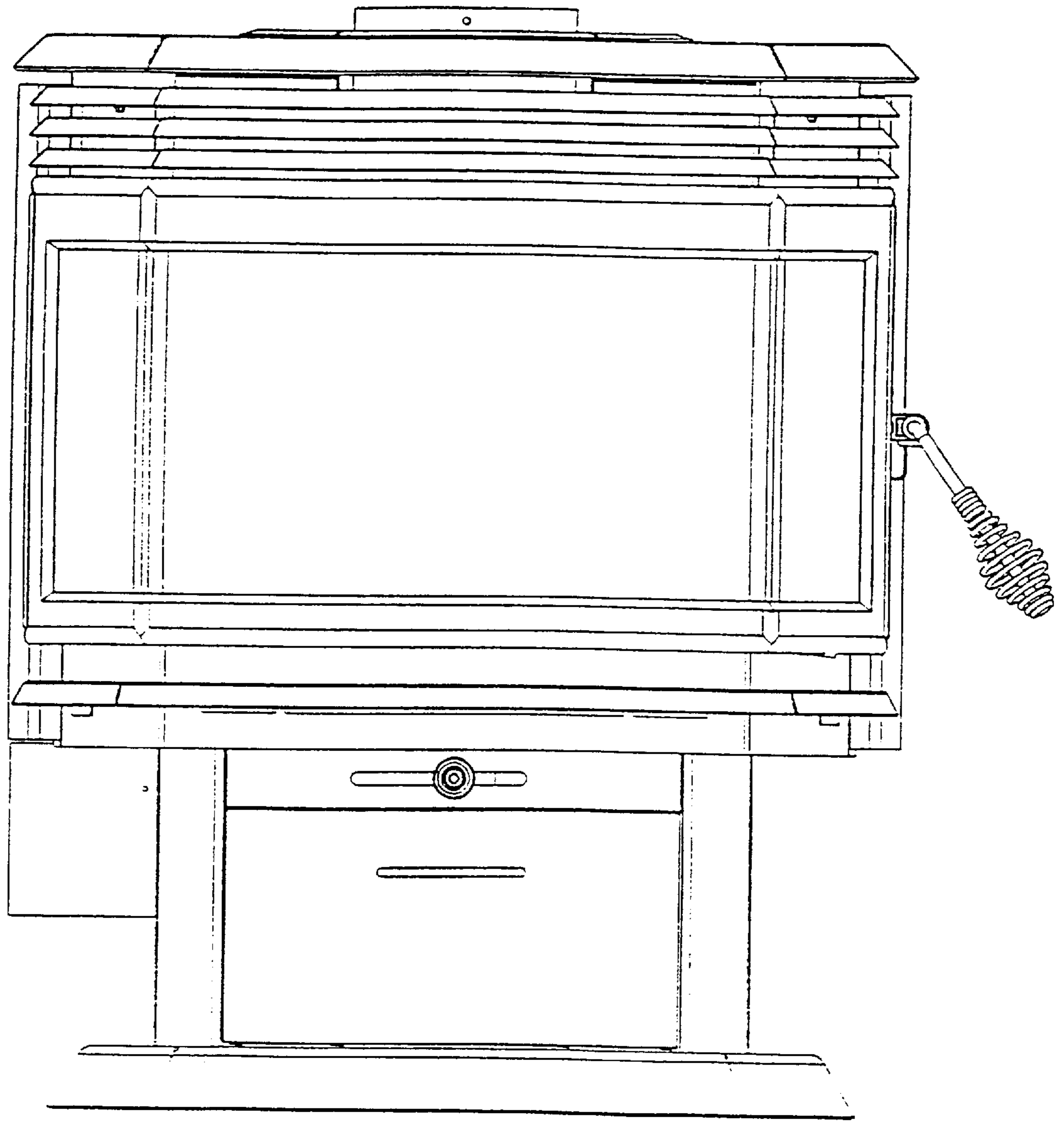


Fig. 3

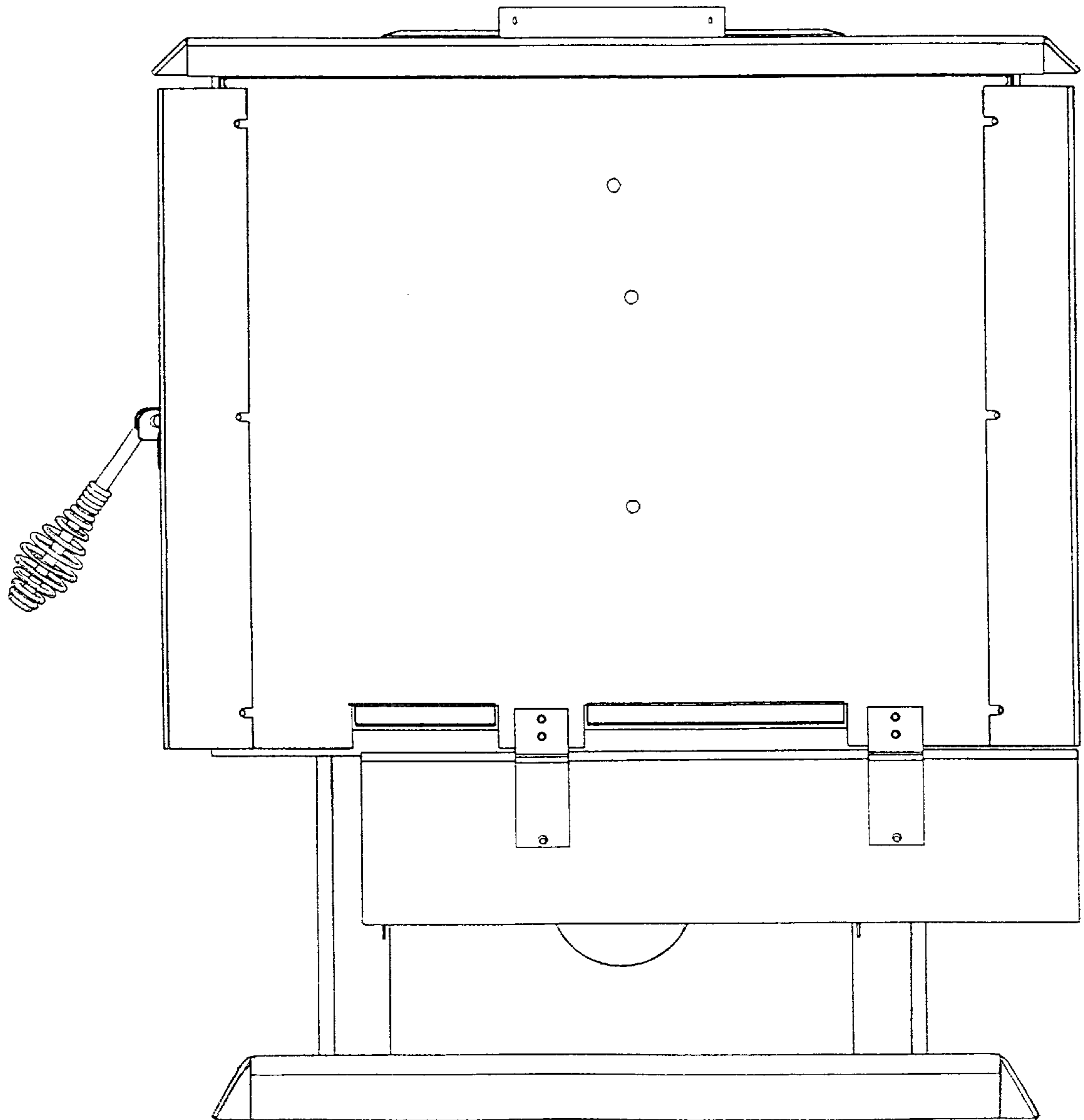


Fig. 4

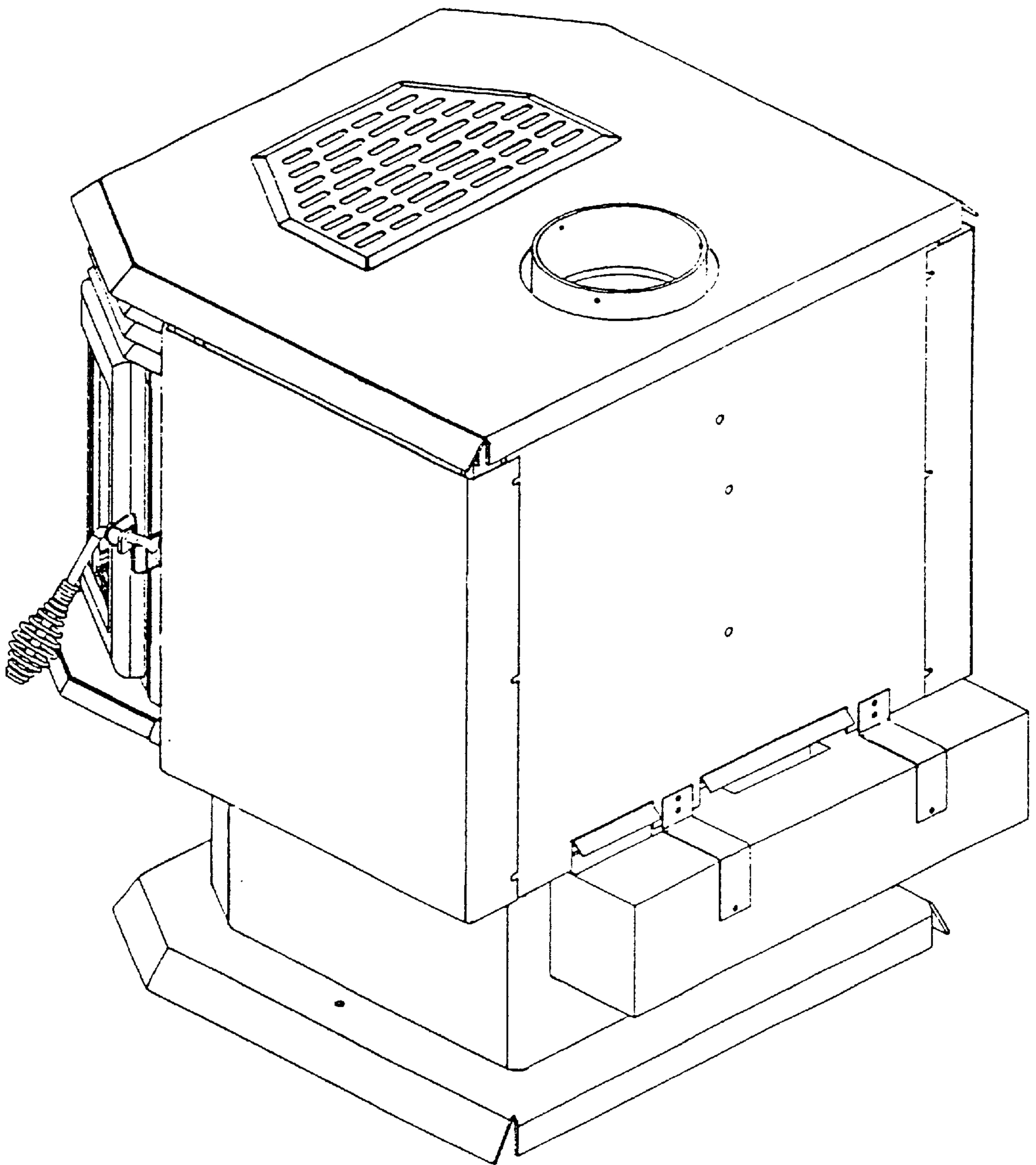


Fig. 5

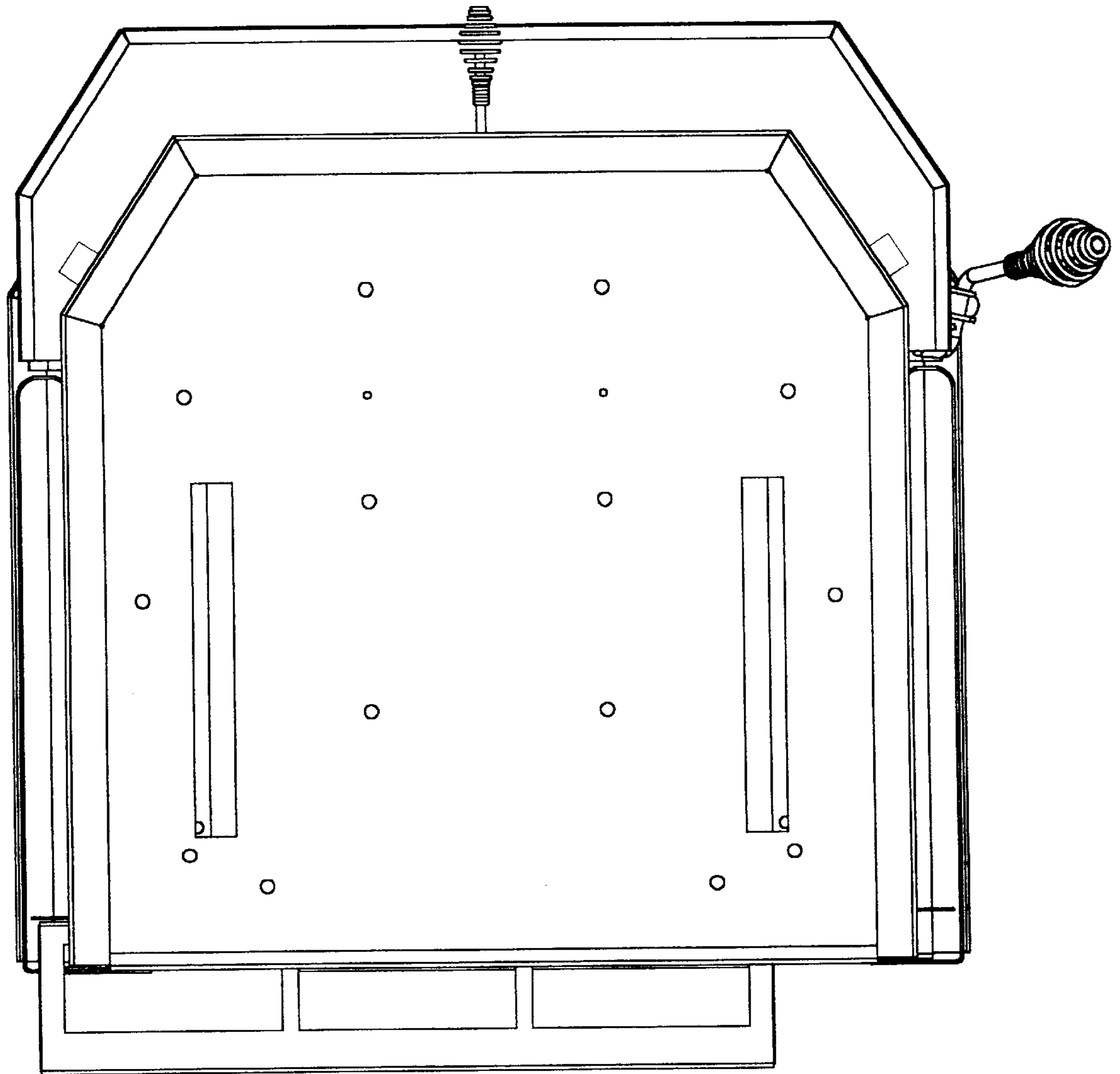


Fig. 6

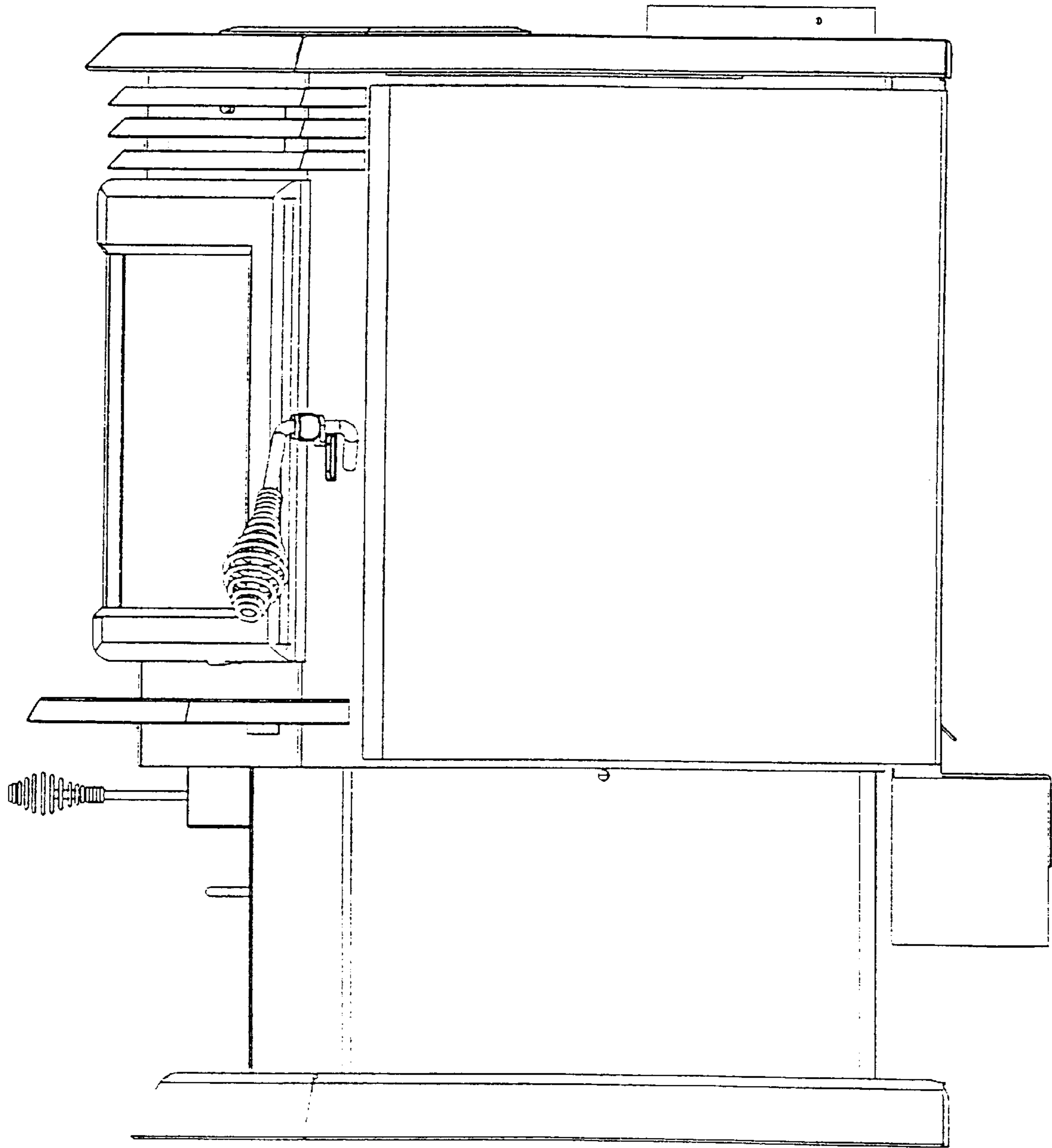


Fig. 7

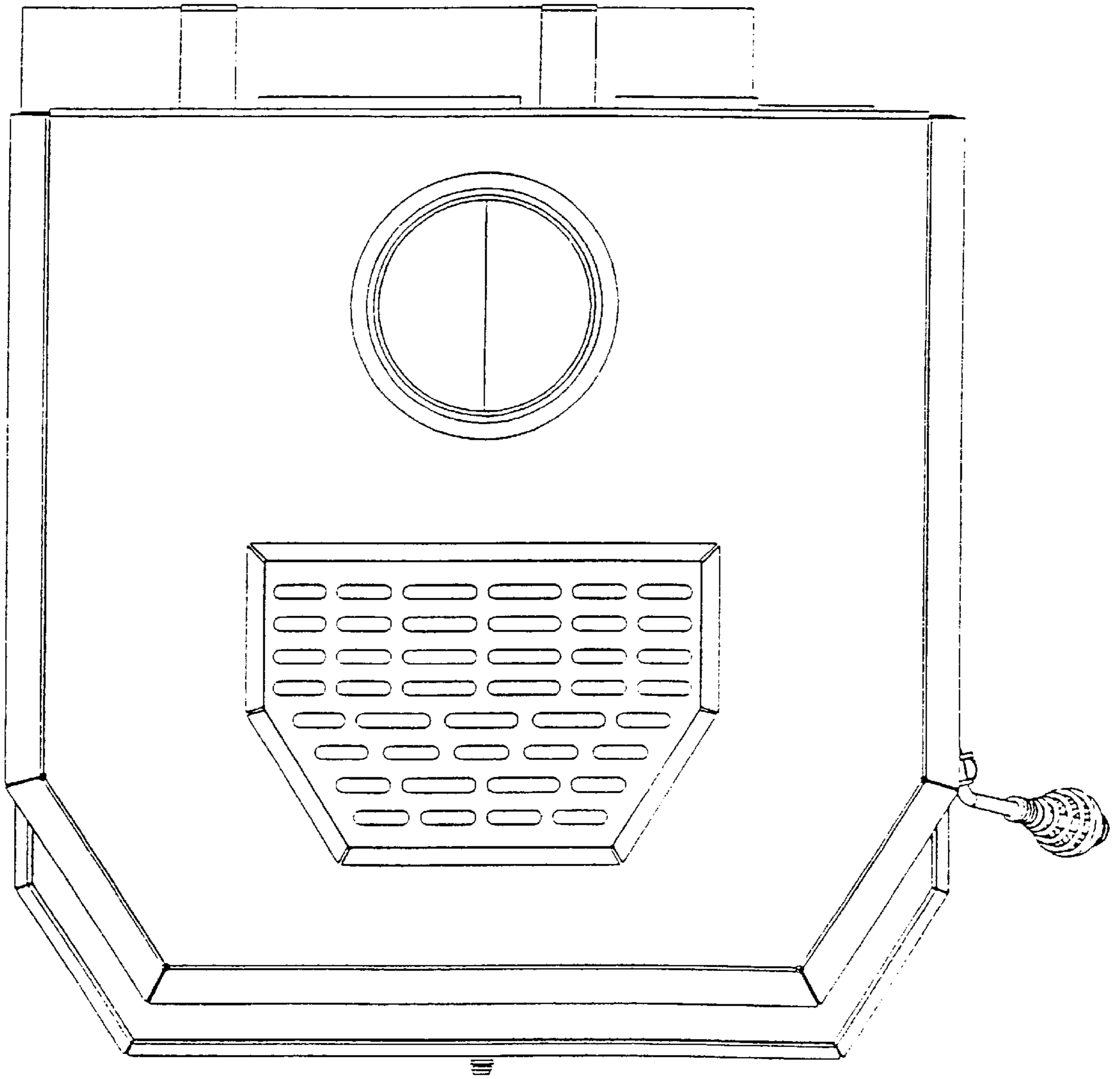


Fig. 8